



US00D633366S

(12) **United States Design Patent**
Hasegawa et al.

(10) **Patent No.:** **US D633,366 S**
(45) **Date of Patent:** **** Mar. 1, 2011**

(54) **HINGE FOR FURNITURE**

(75) Inventors: **Manabu Hasegawa**, Tokyo (JP);
Masaya Suzuki, Tokyo (JP)

(73) Assignee: **Sugatsune Kogyo Co., Ltd.**,
Chiyoda-Ku, Tokyo (JP)

(**) Term: **14 Years**

(21) Appl. No.: **29/371,022**

(22) Filed: **Sep. 16, 2010**

(30) **Foreign Application Priority Data**

Apr. 13, 2010 (JP) 2010-009324

(51) **LOC (9) Cl.** **08-06**

(52) **U.S. Cl.** **D8/329; D8/323**

(58) **Field of Classification Search** D8/328,
D8/323, 324, 330, 325, 327, 331, 336, 353,
D8/338, 329, 402; D16/334; 4/236, 240;
16/309, 235, 275, 244, 379, 390, 430, 241,
16/238, 245, 236, 243, 242, 385, 225, 250;
49/381; D23/302, 303; 248/682; D10/69;
33/347, 365-390; D3/905

See application file for complete search history.

(56) **References Cited**

U.S. PATENT DOCUMENTS

929,646 A * 8/1909 Anderson 16/337
D53,344 S * 5/1919 Irie D11/116
2,050,045 A * 8/1936 Eden, Jr. 72/261
D140,298 S * 2/1945 Wilson D8/323
4,558,485 A * 12/1985 Rock et al. 16/370
4,974,262 A * 12/1990 Rosen 4/236
D330,499 S * 10/1992 Wilson et al. D8/323
D335,622 S * 5/1993 Millsap D8/323
D370,252 S * 5/1996 Hulsebus D8/326
D373,720 S * 9/1996 Hirano et al. D8/382
D407,624 S * 4/1999 Ehrig D8/323
D451,000 S * 11/2001 Karl D8/323
D478,495 S * 8/2003 Votruba et al. D8/323

D491,454 S * 6/2004 Yamaguchi D8/402
7,340,801 B2 * 3/2008 Yamaguchi 16/368
D611,336 S * 3/2010 Hasegawa D8/402
D611,338 S * 3/2010 Suzuki et al. D8/402
D621,683 S * 8/2010 Mullenix D8/323

OTHER PUBLICATIONS

Sugatsune Kogyo's general catalogue No. 170A, Lamp by Sugatsune 2008-2011 and "Application for issuance of certificate/Certificate", vol. 2 of 3, p. 31, Chiyoda-ku, Tokyo, Japan, 5 pages total.

* cited by examiner

Primary Examiner—Cynthia Underwood

(74) *Attorney, Agent, or Firm*—Bacon & Thomas, PLLC

(57) **CLAIM**

The ornamental design for a hinge for furniture, as shown and described.

DESCRIPTION

FIG. 1 is a perspective view seen from front side of a hinge for furniture embodying my new design;

FIG. 2 is a perspective view seen from rear side thereof;

FIG. 3 is a front view thereof;

FIG. 4 is a rear view thereof;

FIG. 5 is a top plan view thereof;

FIG. 6 is a bottom view thereof;

FIG. 7 is a left side view thereof;

FIG. 8 is a right side view thereof;

FIG. 9 is a cross-sectional view taken along line 9—9 shown in FIG. 4 thereof;

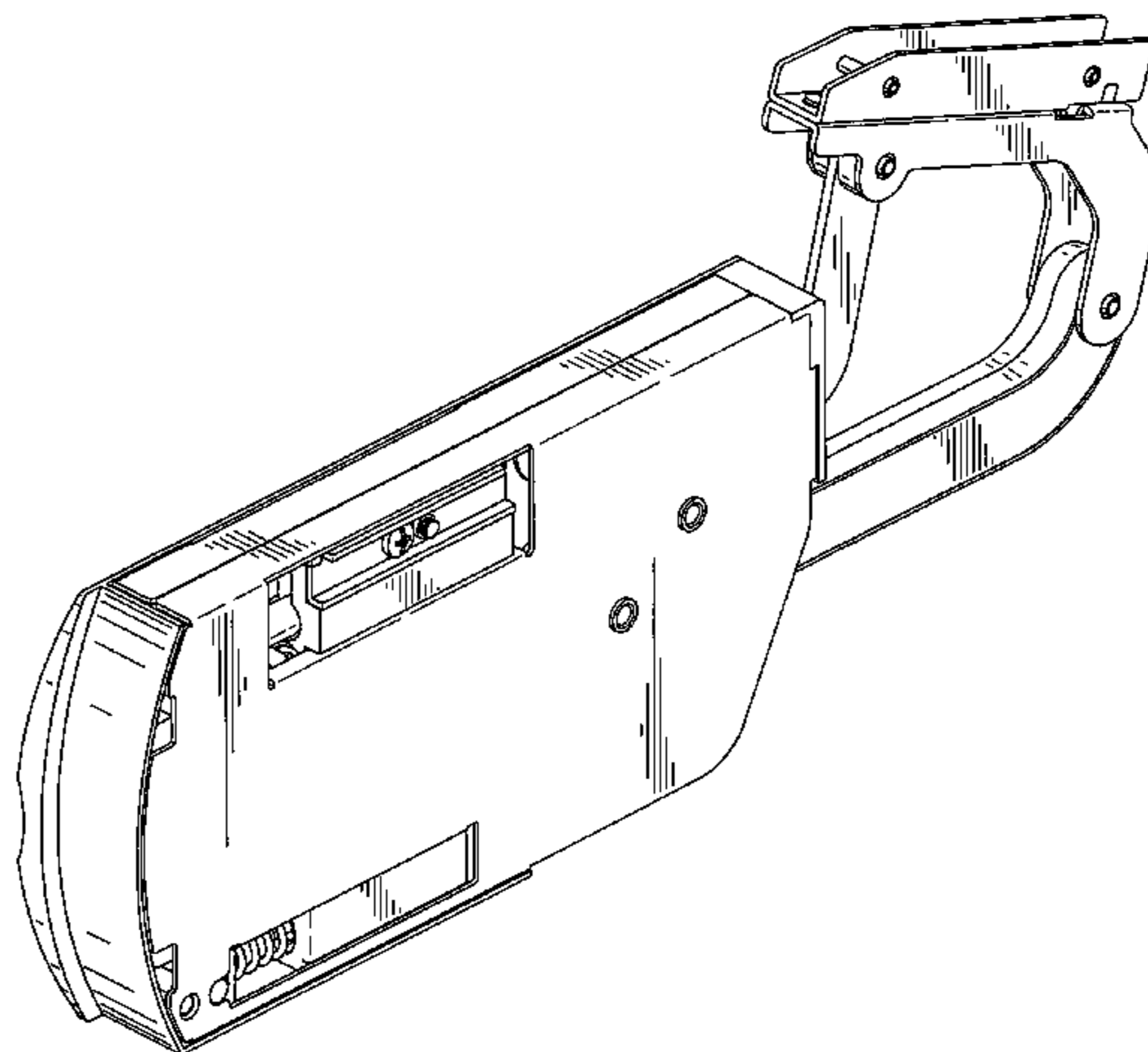
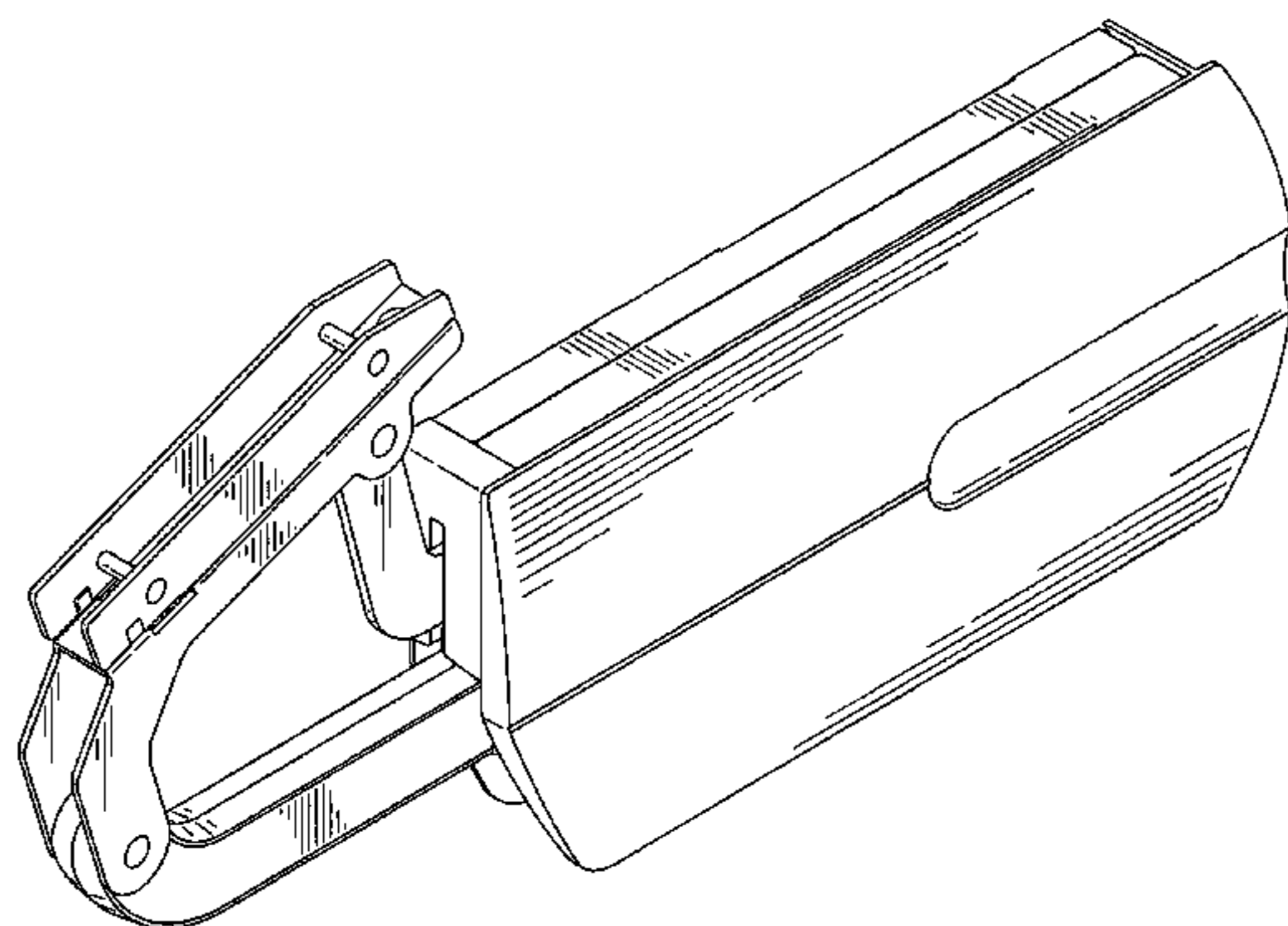
FIG. 10 is a front view in state of arm portion having been moved thereof;

FIG. 11 is a referential view 1 for showing use state thereof;

FIG. 12 is a referential view 2 for showing use state thereof; and,

FIG. 13 is a referential view 3 for showing use state thereof.

1 Claim, 9 Drawing Sheets



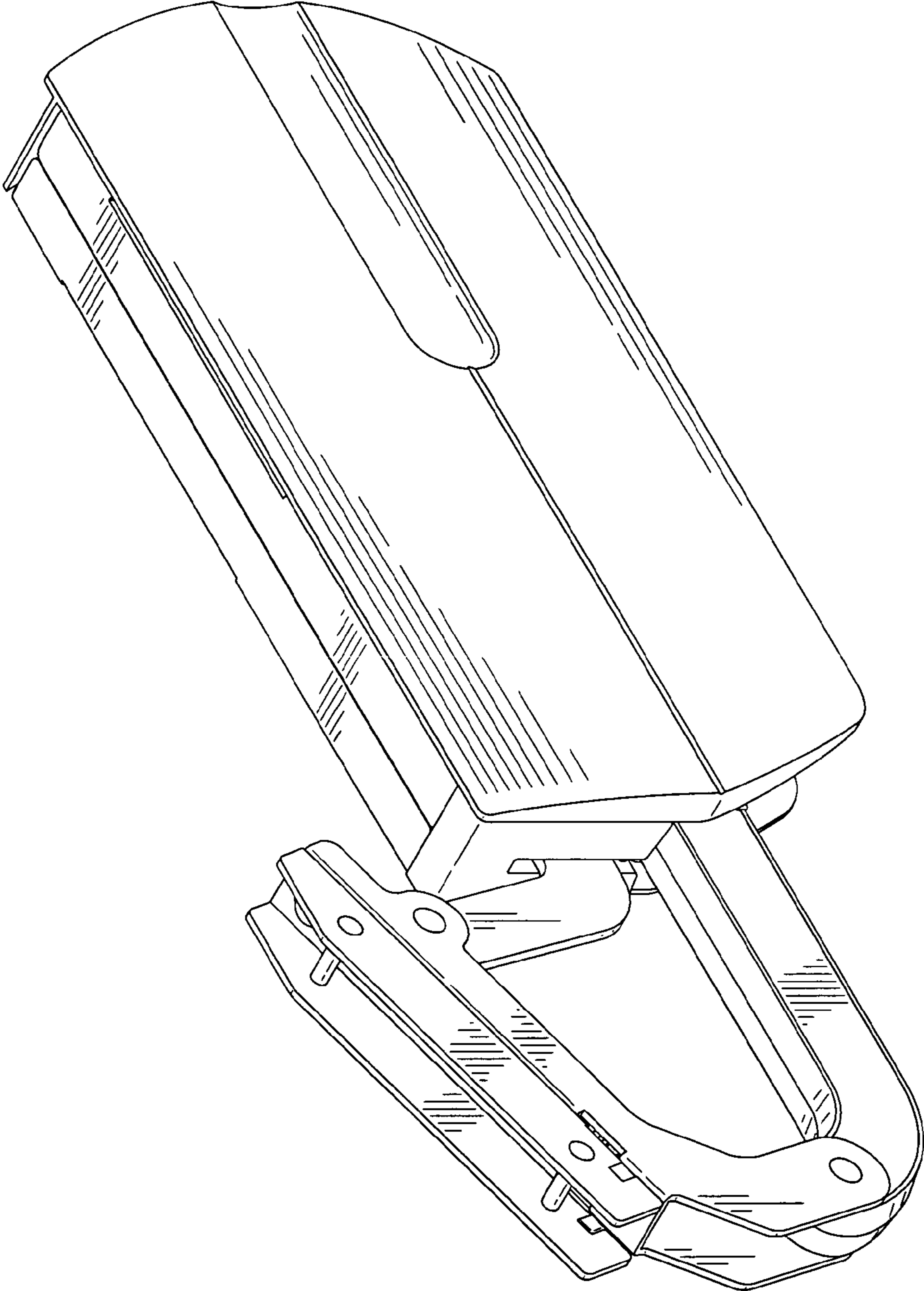


FIG. 1

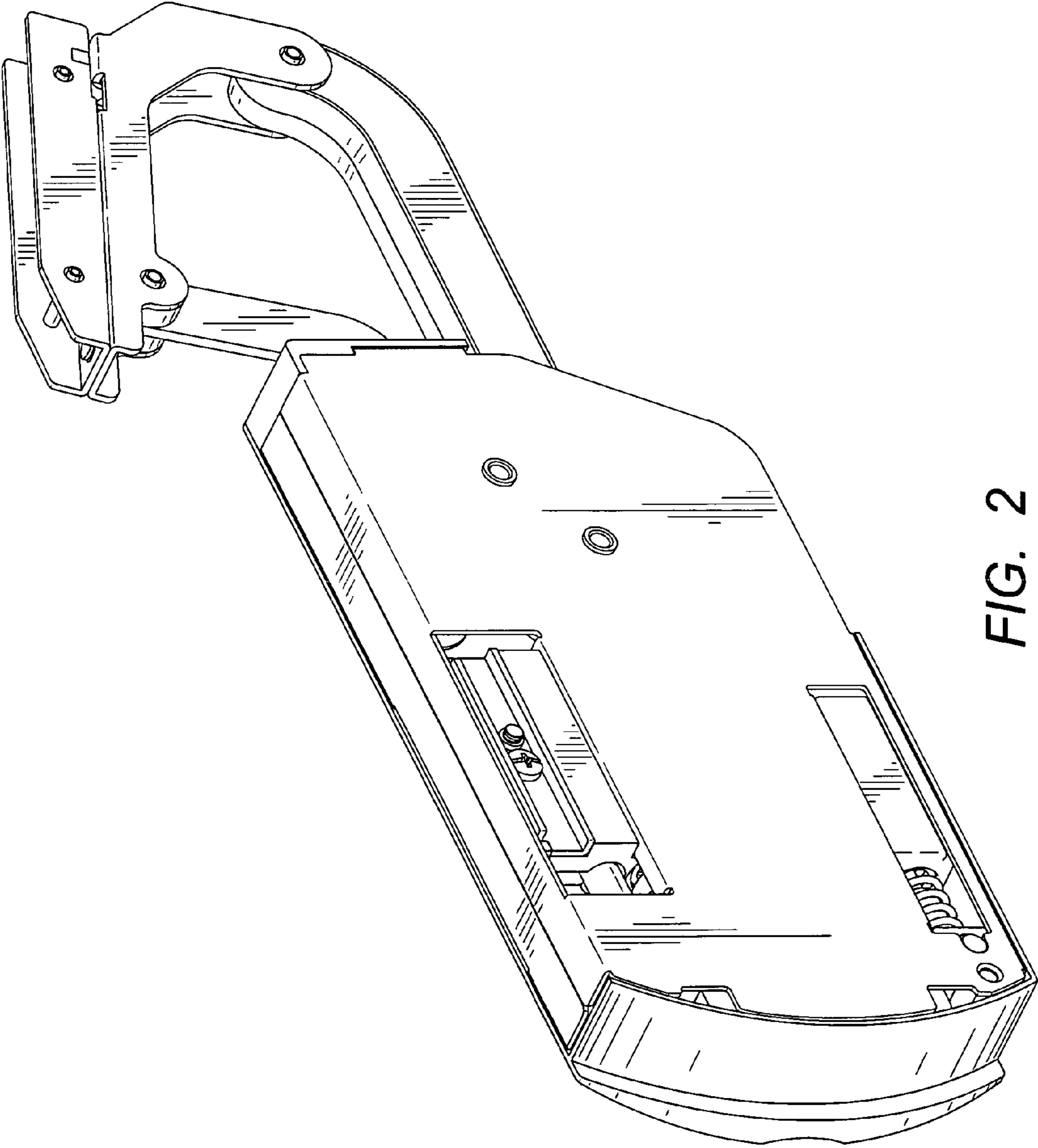


FIG. 2

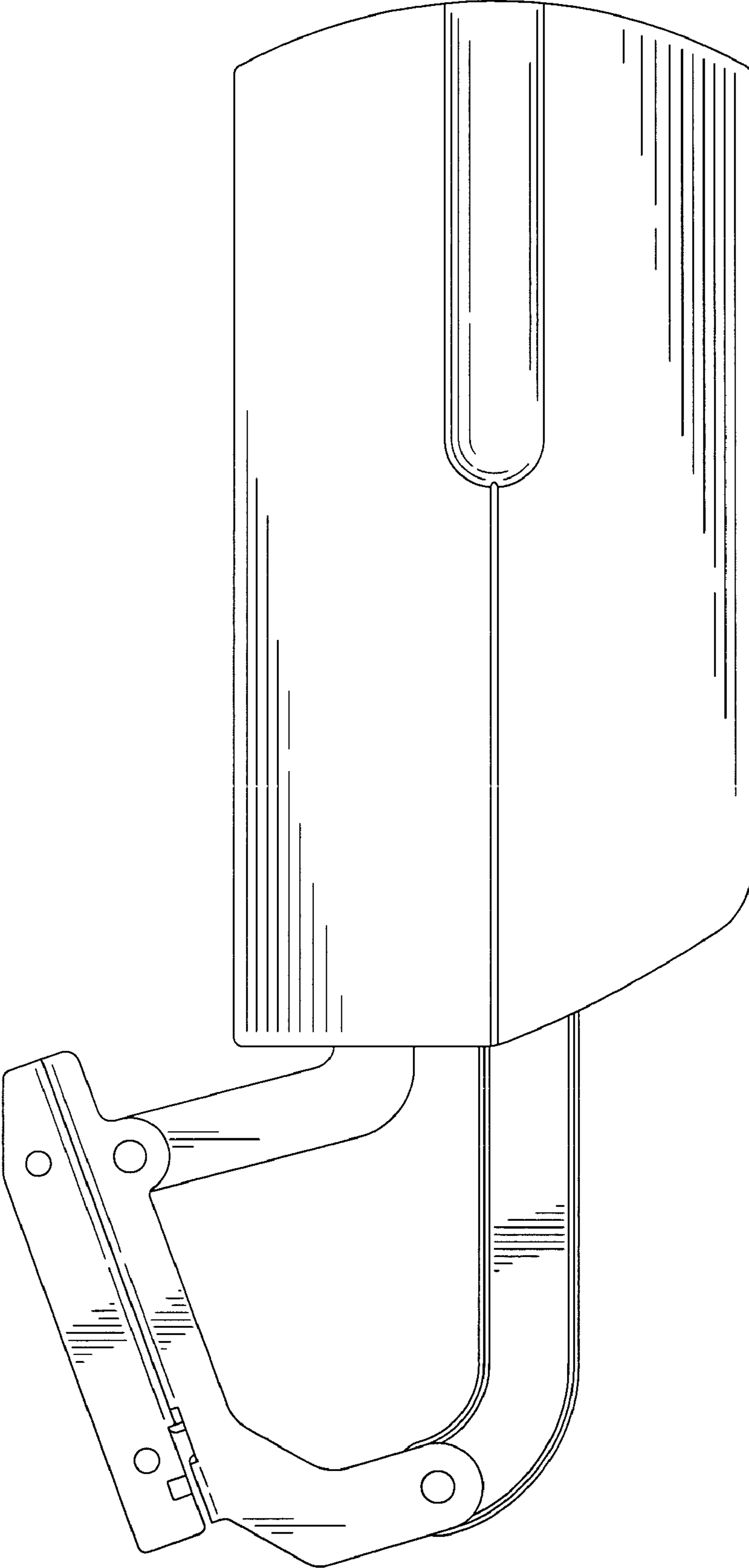


FIG. 3

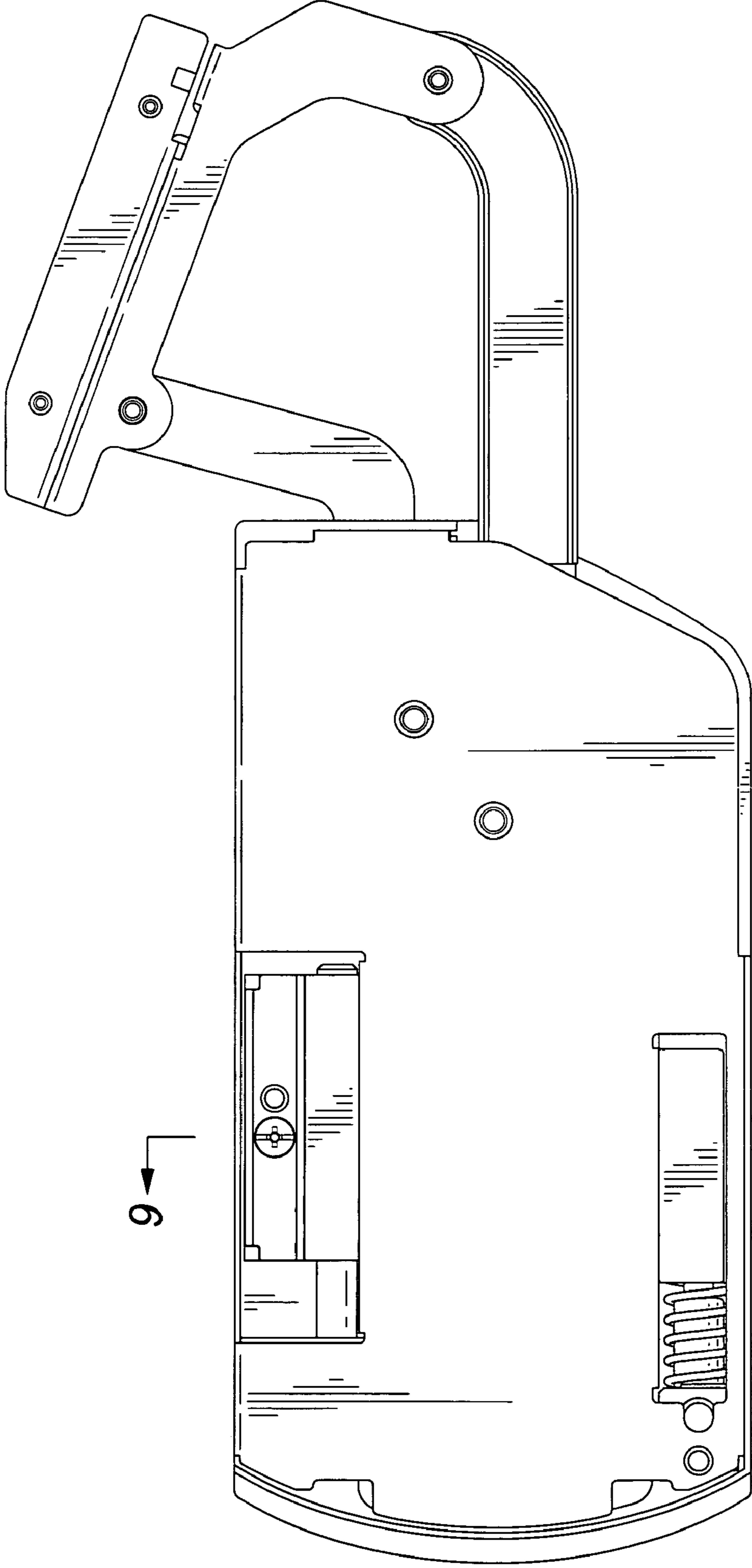


FIG. 4

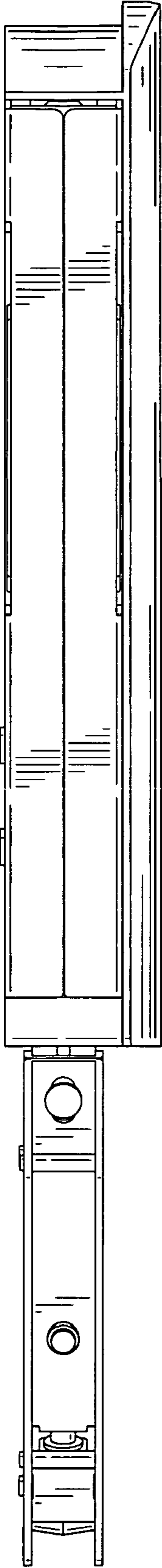


FIG. 5

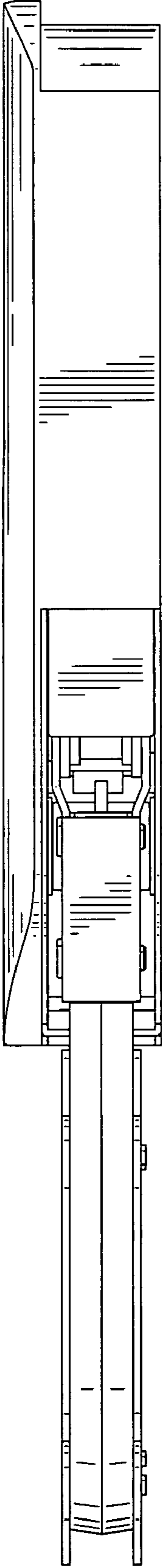


FIG. 6

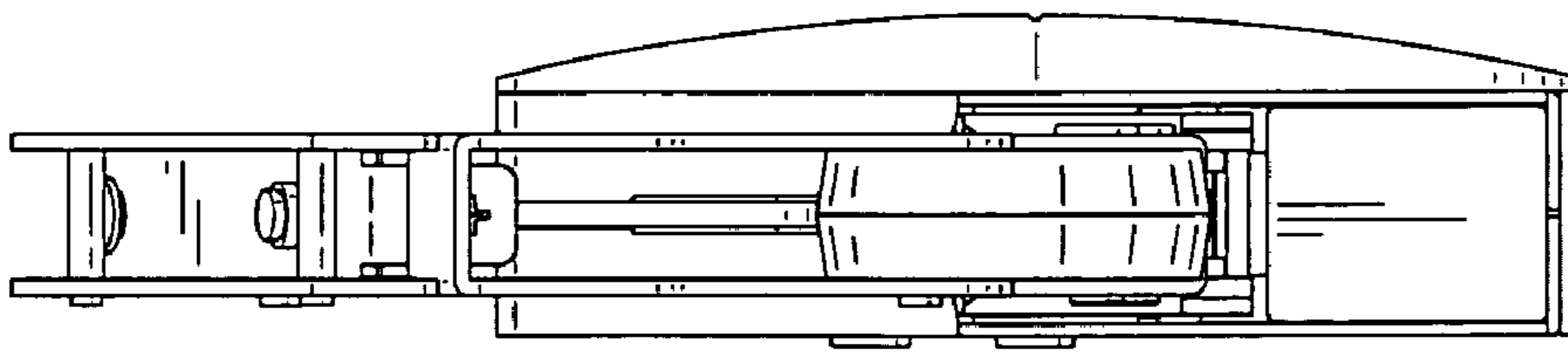


FIG. 7

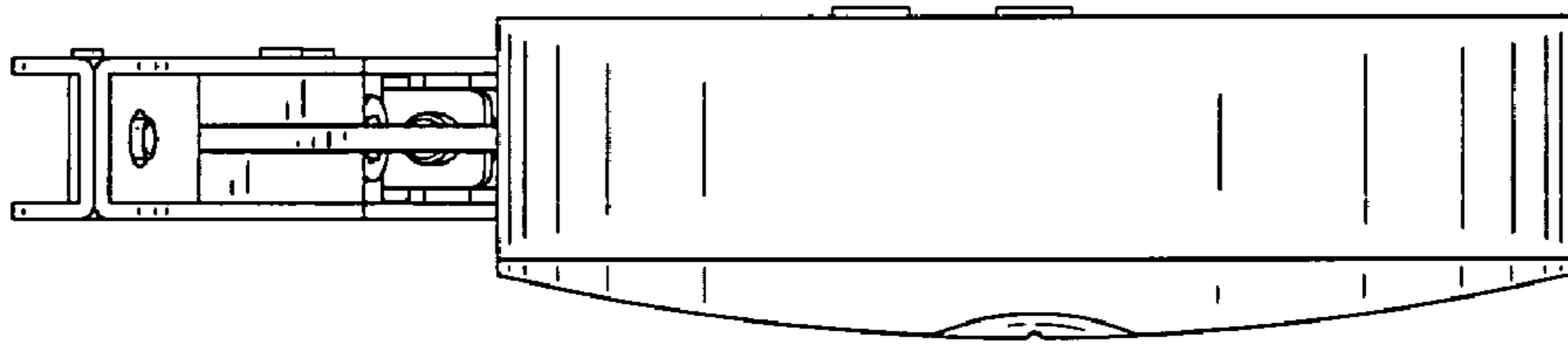


FIG. 8

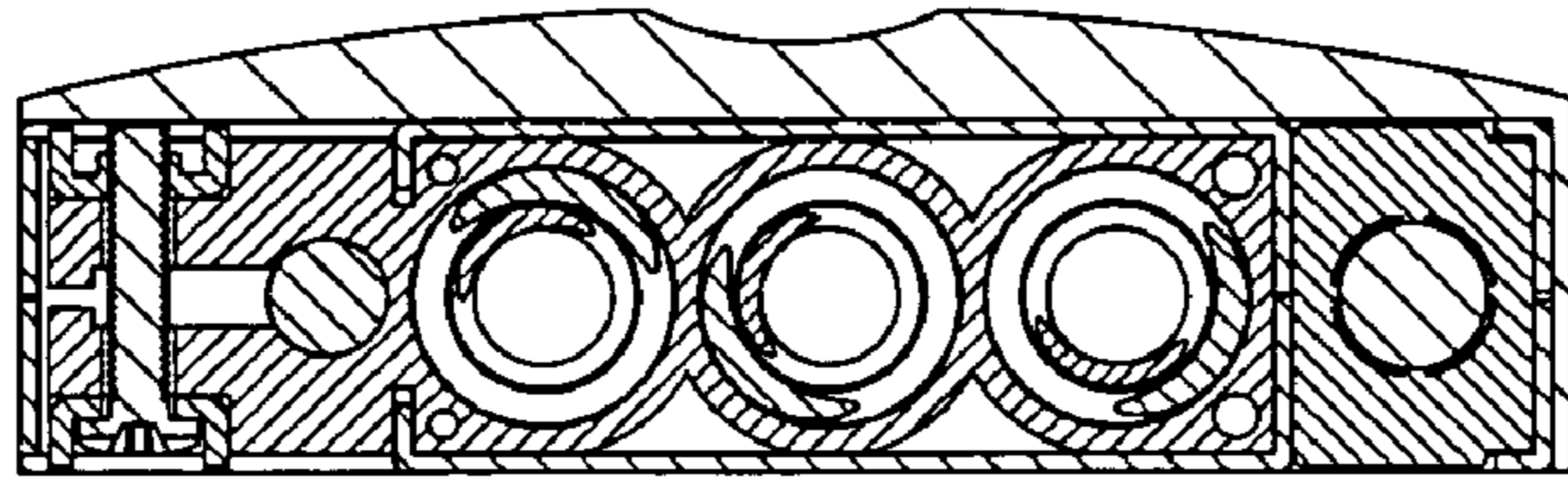


FIG. 9

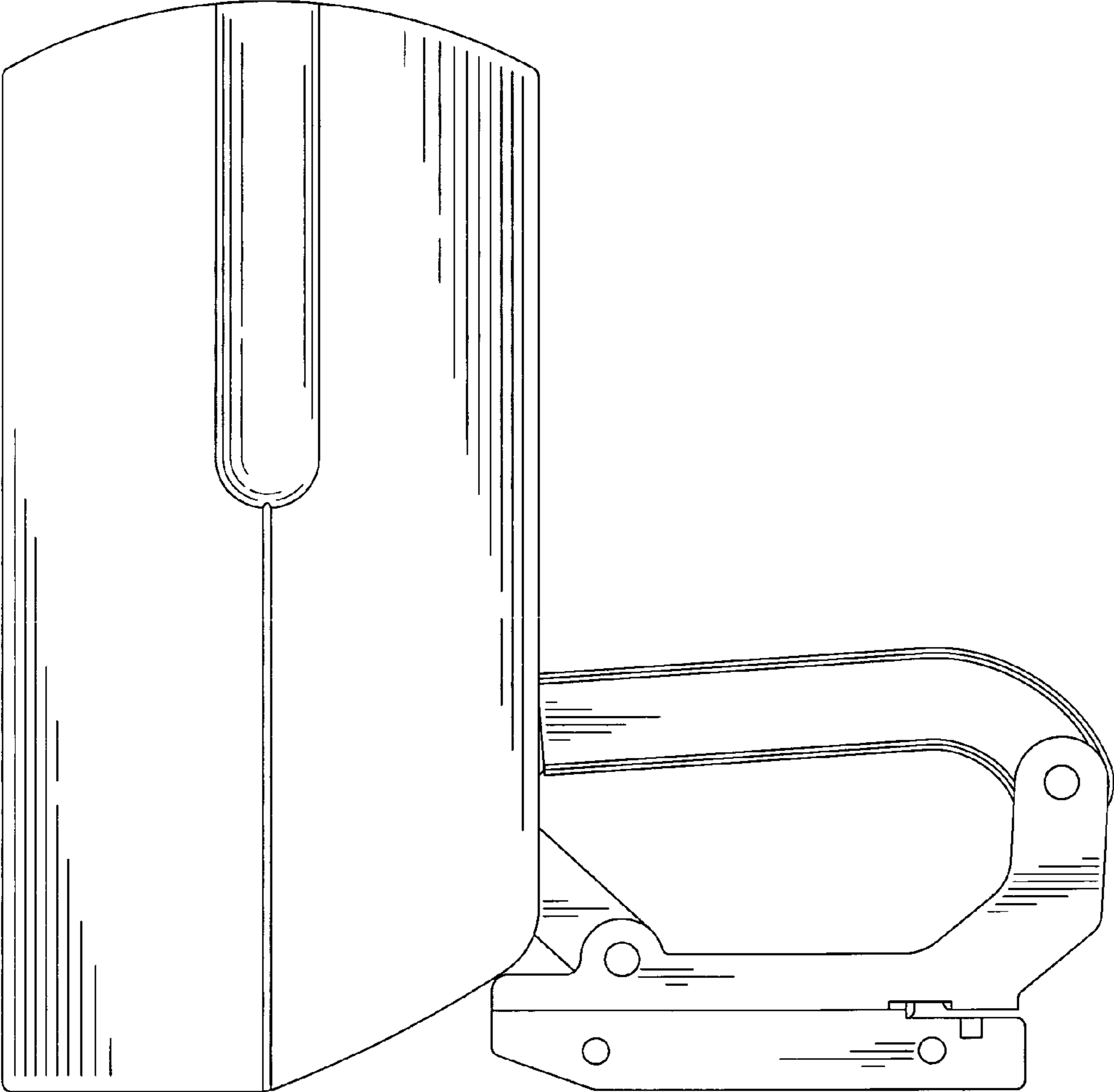


FIG. 10

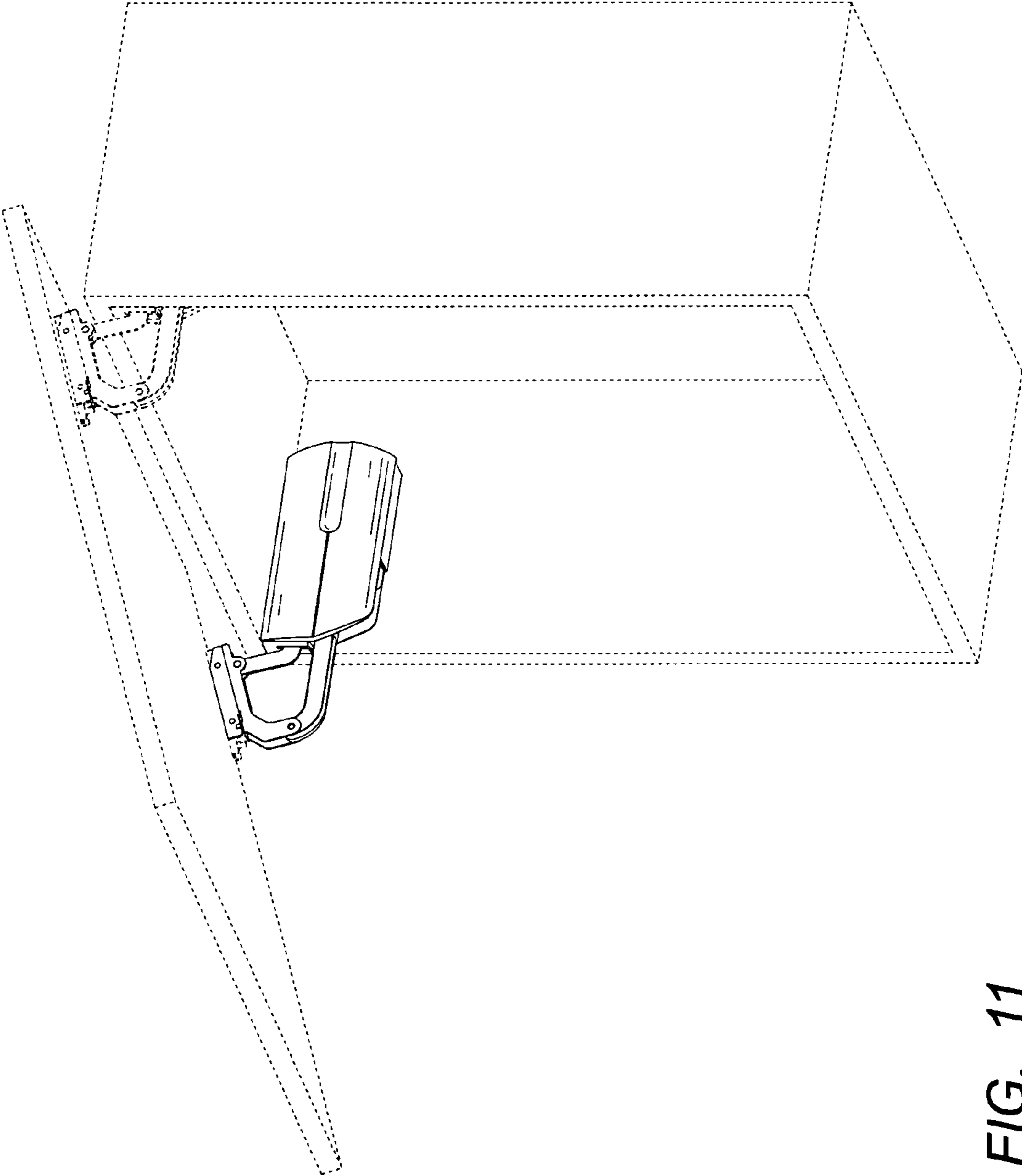


FIG. 11

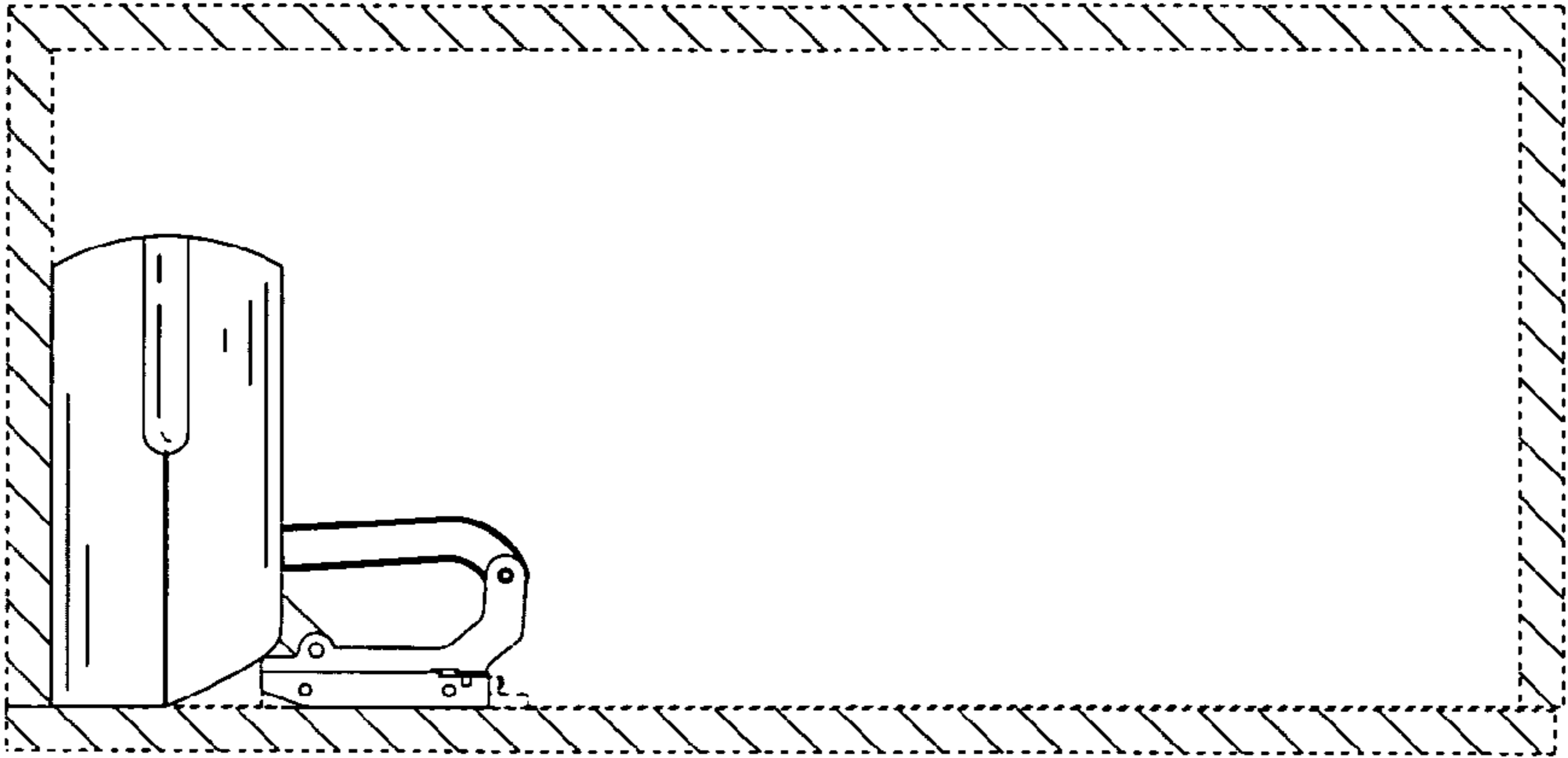


FIG. 13

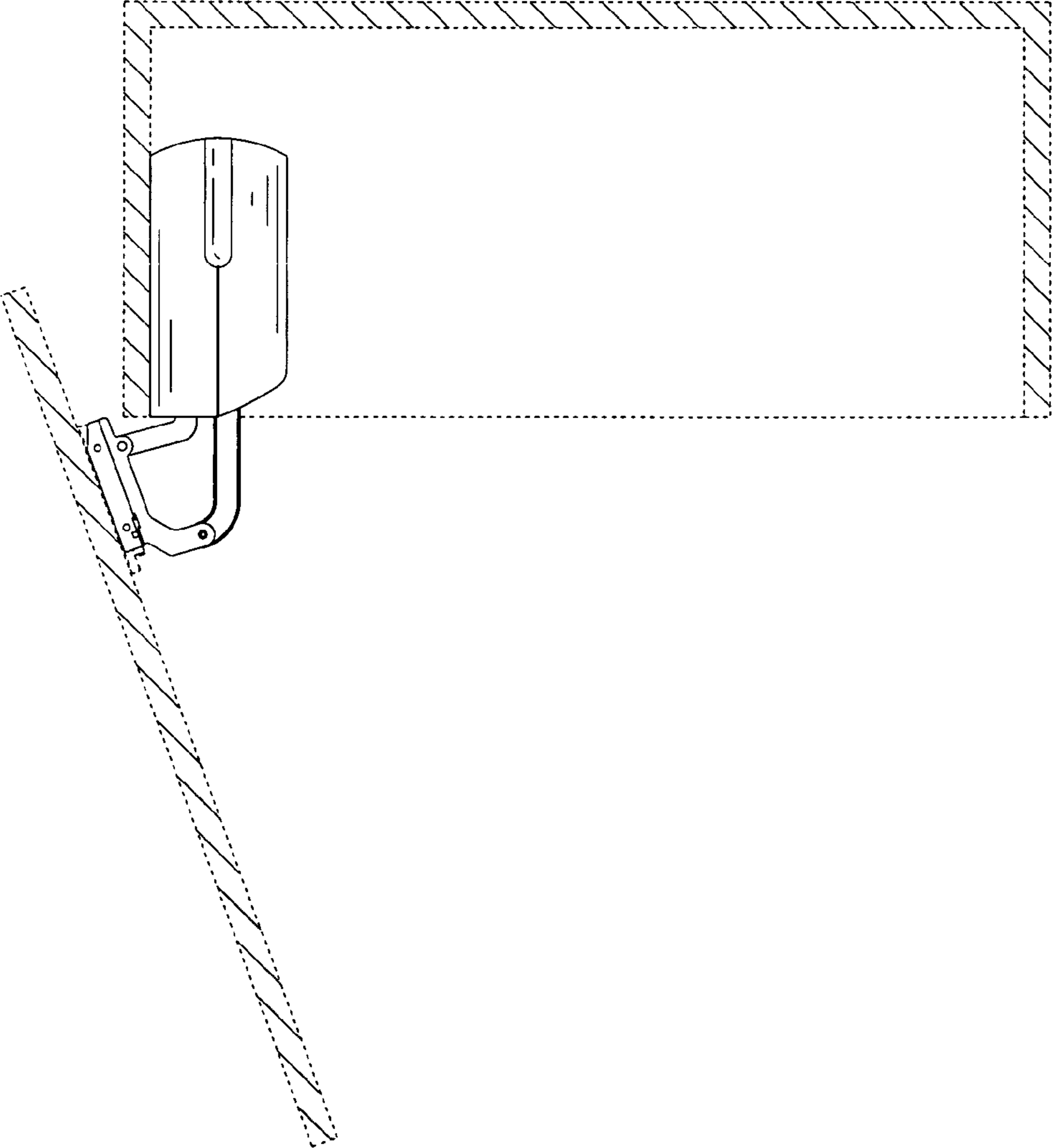


FIG. 12