



US00D633364S

(12) **United States Design Patent**
Owens

(10) **Patent No.:** **US D633,364 S**

(45) **Date of Patent:** **** Mar. 1, 2011**

(54) **CABINET KNOB**

(75) Inventor: **Ashley Marie Owens**, Bossier City, LA (US)

(73) Assignee: **Hardware Resources, Inc.**, Bossier City, LA (US)

(**) Term: **14 Years**

(21) Appl. No.: **29/370,263**

(22) Filed: **Jun. 22, 2010**

(51) **LOC (9) Cl.** **08-06**

(52) **U.S. Cl.** **D8/310**

(58) **Field of Classification Search** D8/310,
D8/300, 301, 302, 303, 305, 307, 312, 317,
D8/318, 319, 320; D6/491, 550; D7/393,
D7/396; D11/95; D21/385, 386; 16/110.1,
16/412, 414, 415, 417, 433, 441, 442; 292/347,
292/348, 349, 350, 355, 356, 357

See application file for complete search history.

(56) **References Cited**

U.S. PATENT DOCUMENTS

D232,621 S *	9/1974	Zagaroli	D8/310
D355,837 S *	2/1995	Chieda	D8/310
D415,947 S *	11/1999	May	D8/305
D418,387 S *	1/2000	O'Neil	D8/310
D470,740 S *	2/2003	Fields	D8/310

D470,741 S *	2/2003	Fields	D8/310
D499,631 S *	12/2004	Sale, Jr.	D8/310
D510,696 S *	10/2005	Sale, Jr.	D8/310
D530,593 S *	10/2006	Kosasih et al.	D8/310
D574,212 S *	8/2008	Jou	D8/305
D579,751 S *	11/2008	Hoernig	D8/310
D580,736 S *	11/2008	Matijevic	D8/310

* cited by examiner

Primary Examiner—Prabhakar Deshmukh

Assistant Examiner—Derrick Holland

(74) *Attorney, Agent, or Firm*—Schultz & Associates, P.C.

(57) **CLAIM**

The ornamental design for a cabinet knob, as shown and described.

DESCRIPTION

FIG. 1 is a perspective view of a cabinet knob showing my new design;

FIG. 2 is a first side elevation view thereof;

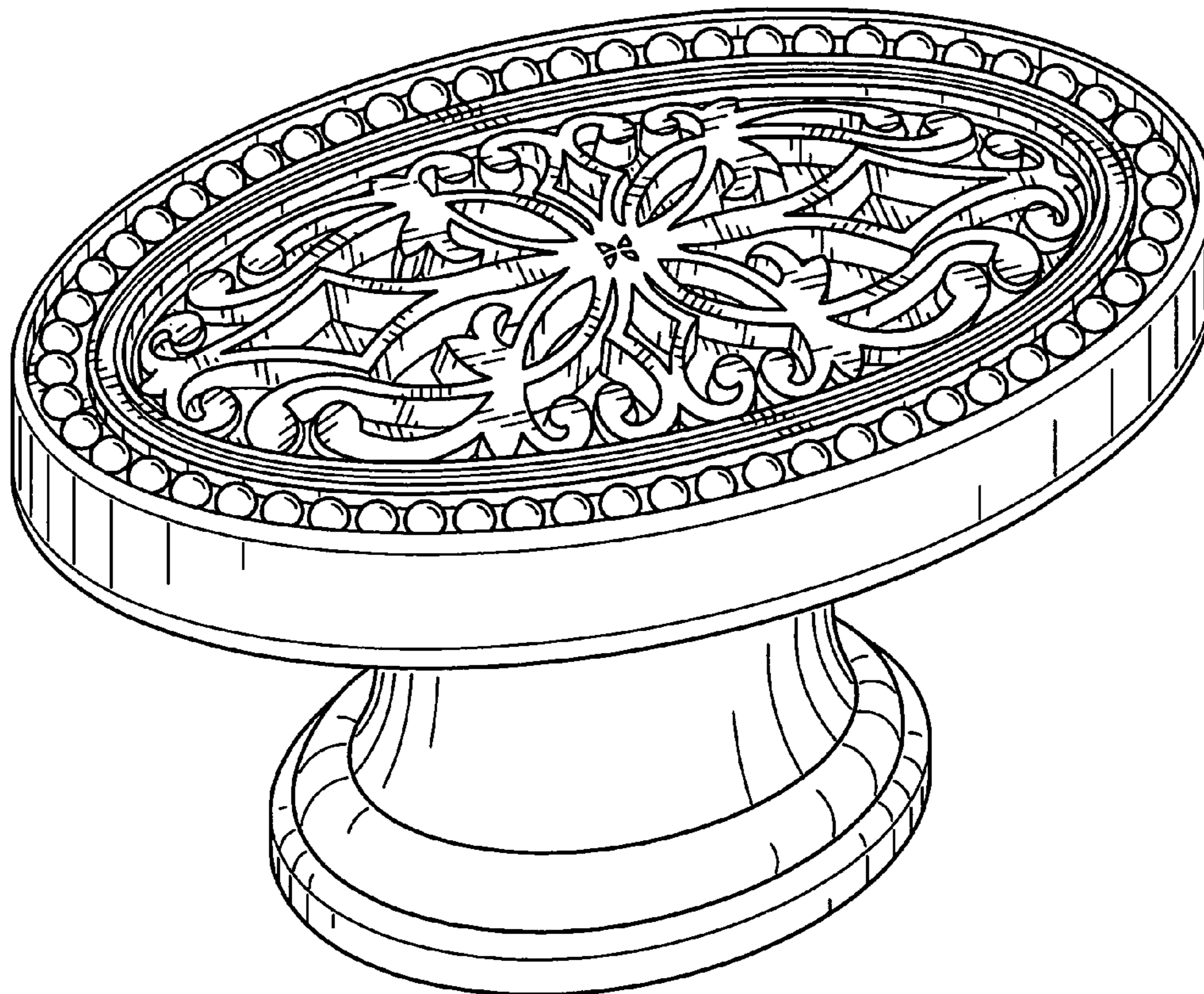
FIG. 3 is a top plan view thereof;

FIG. 4 is a second side elevation view thereof; and,

FIG. 5 is a bottom plan view thereof.

The broken lines shown represent unclaimed subject matter and form no part of the claimed design.

1 Claim, 3 Drawing Sheets



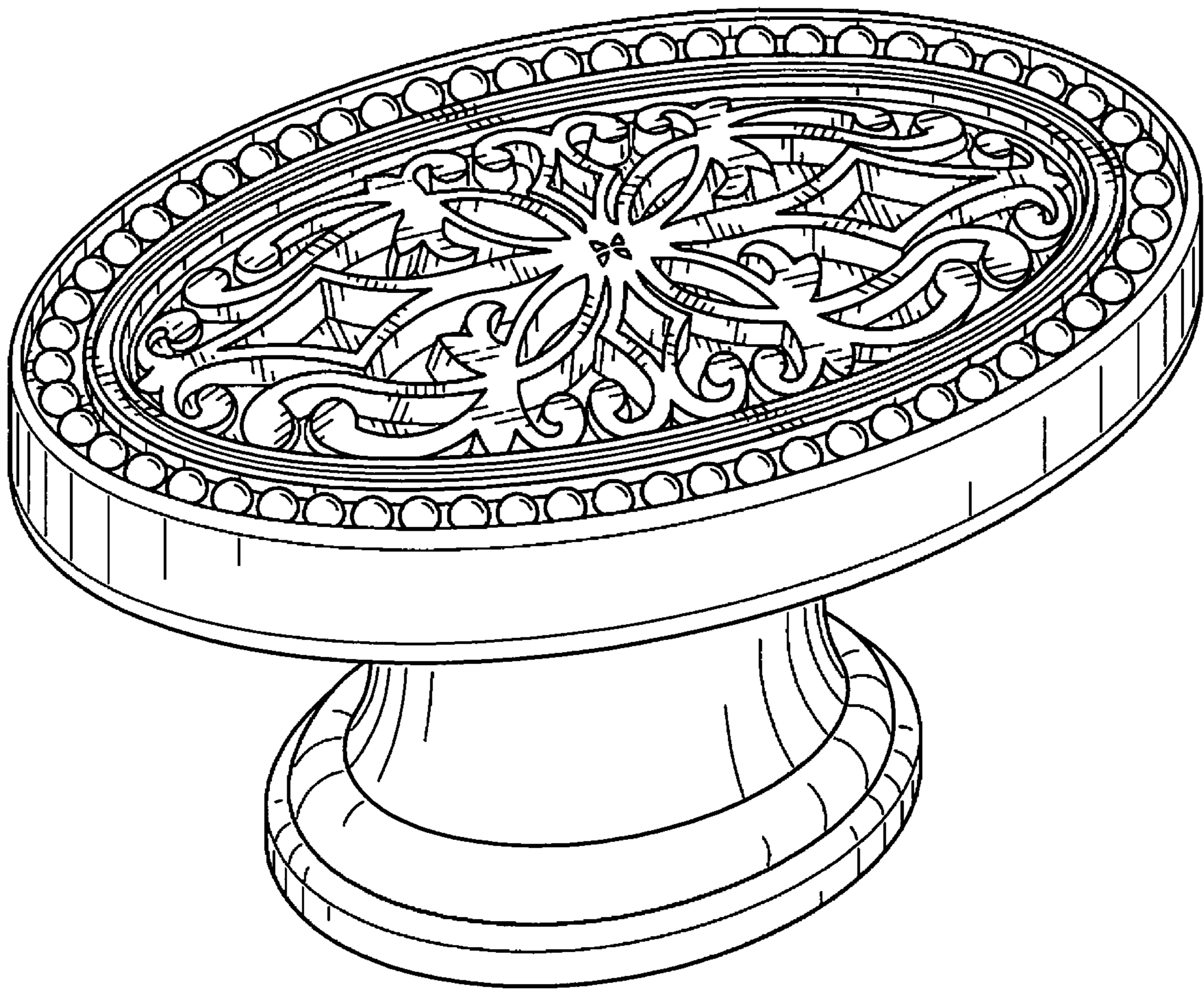


FIG. 1

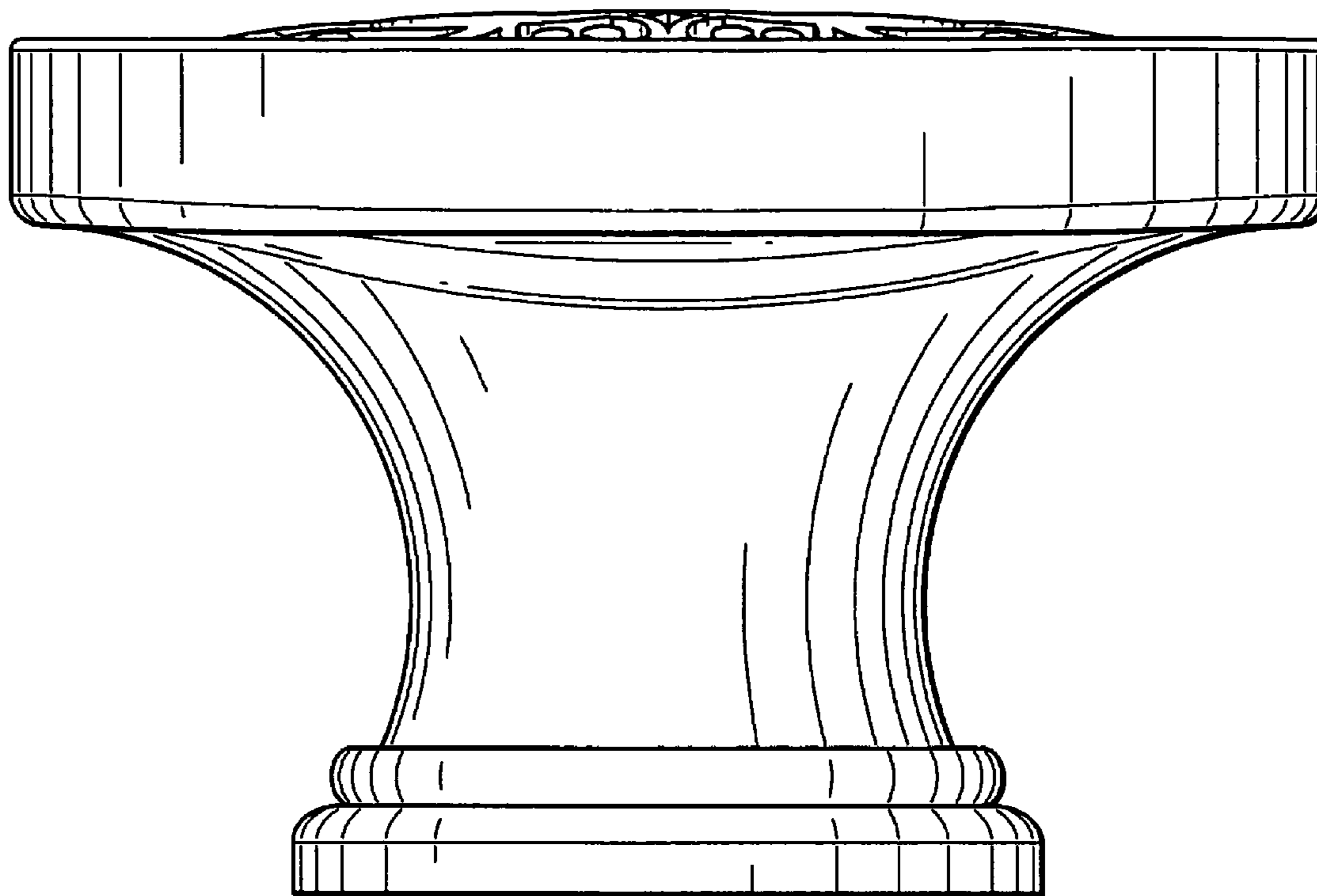


FIG. 2

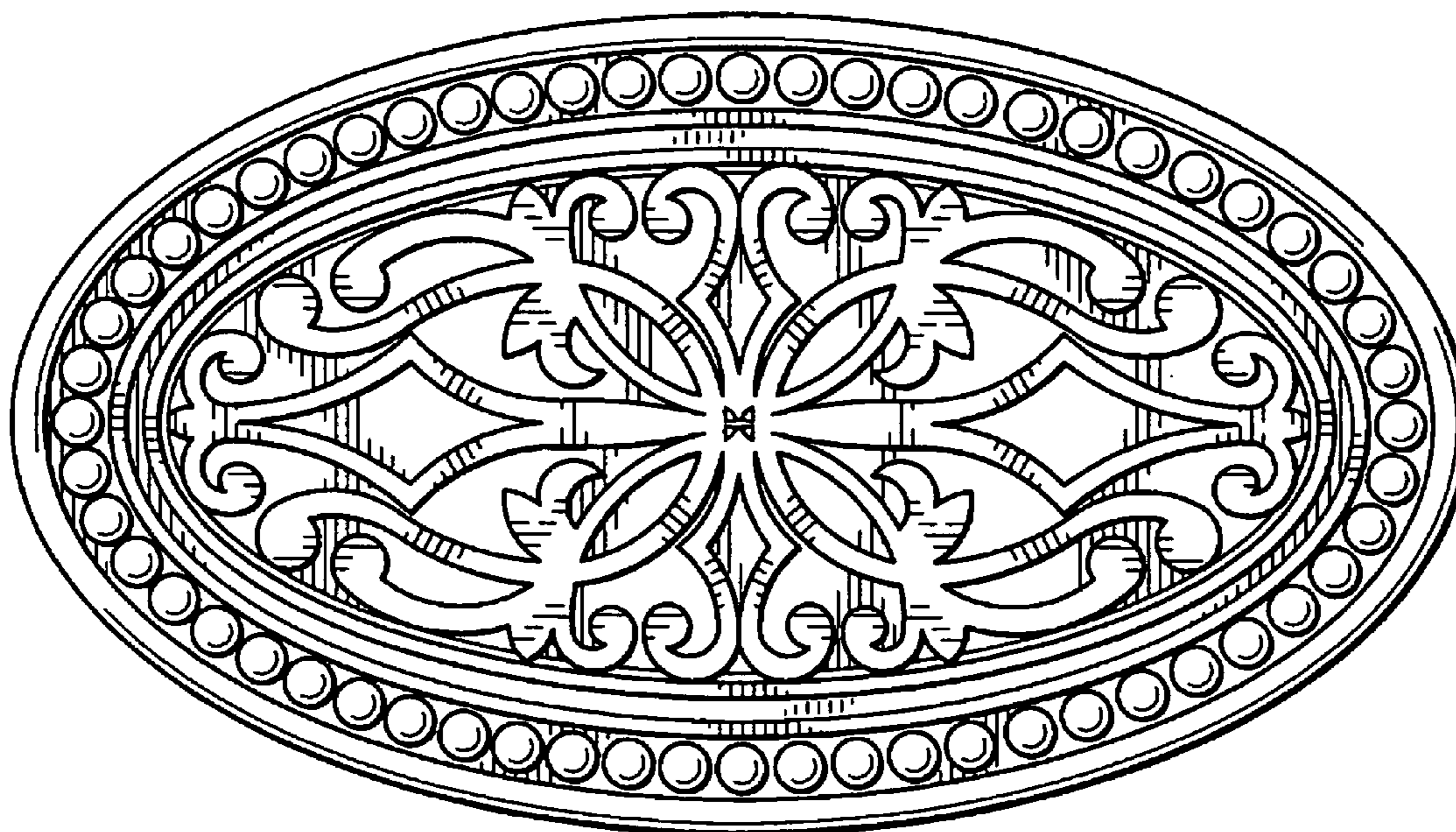


FIG. 3

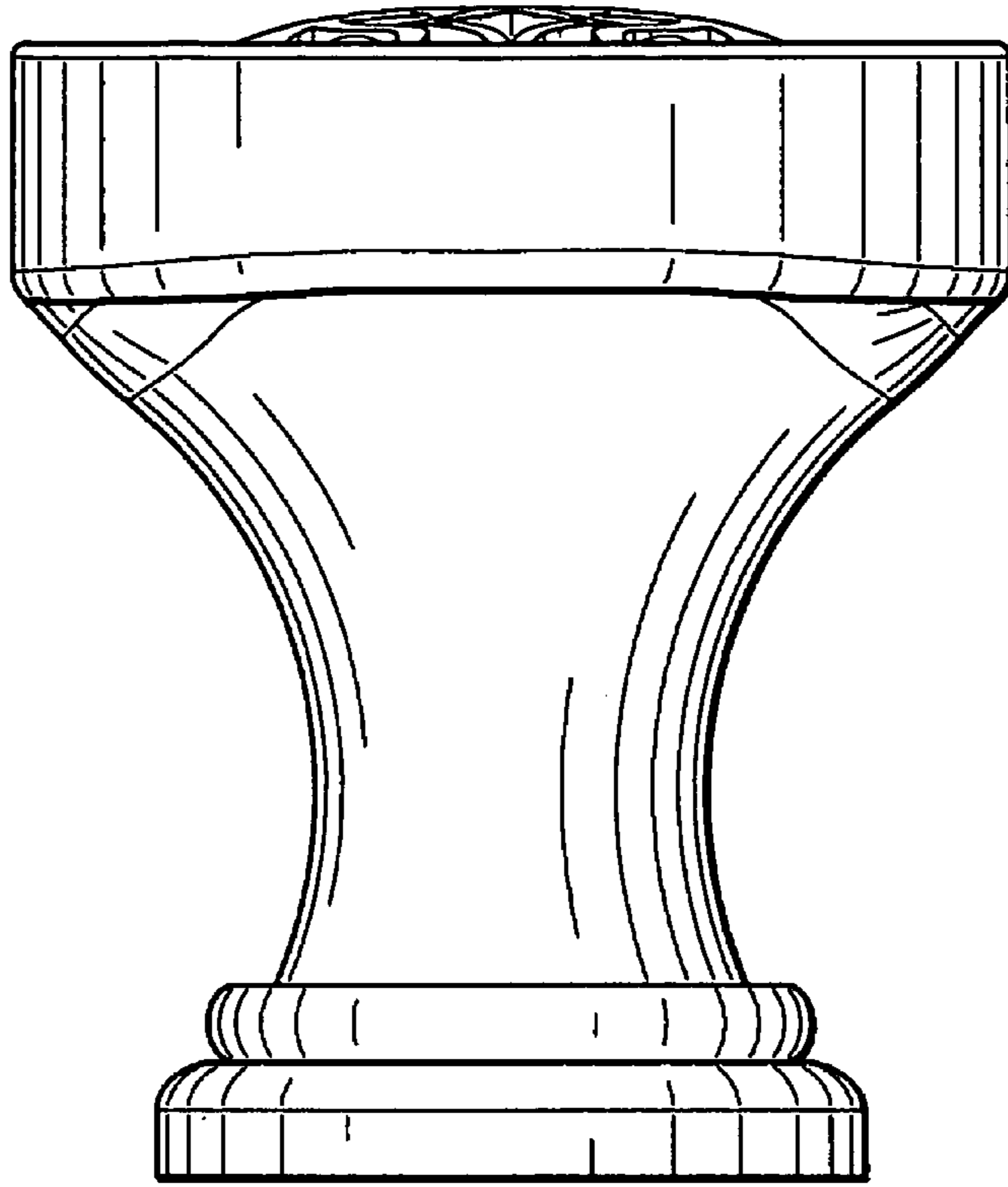


FIG. 4

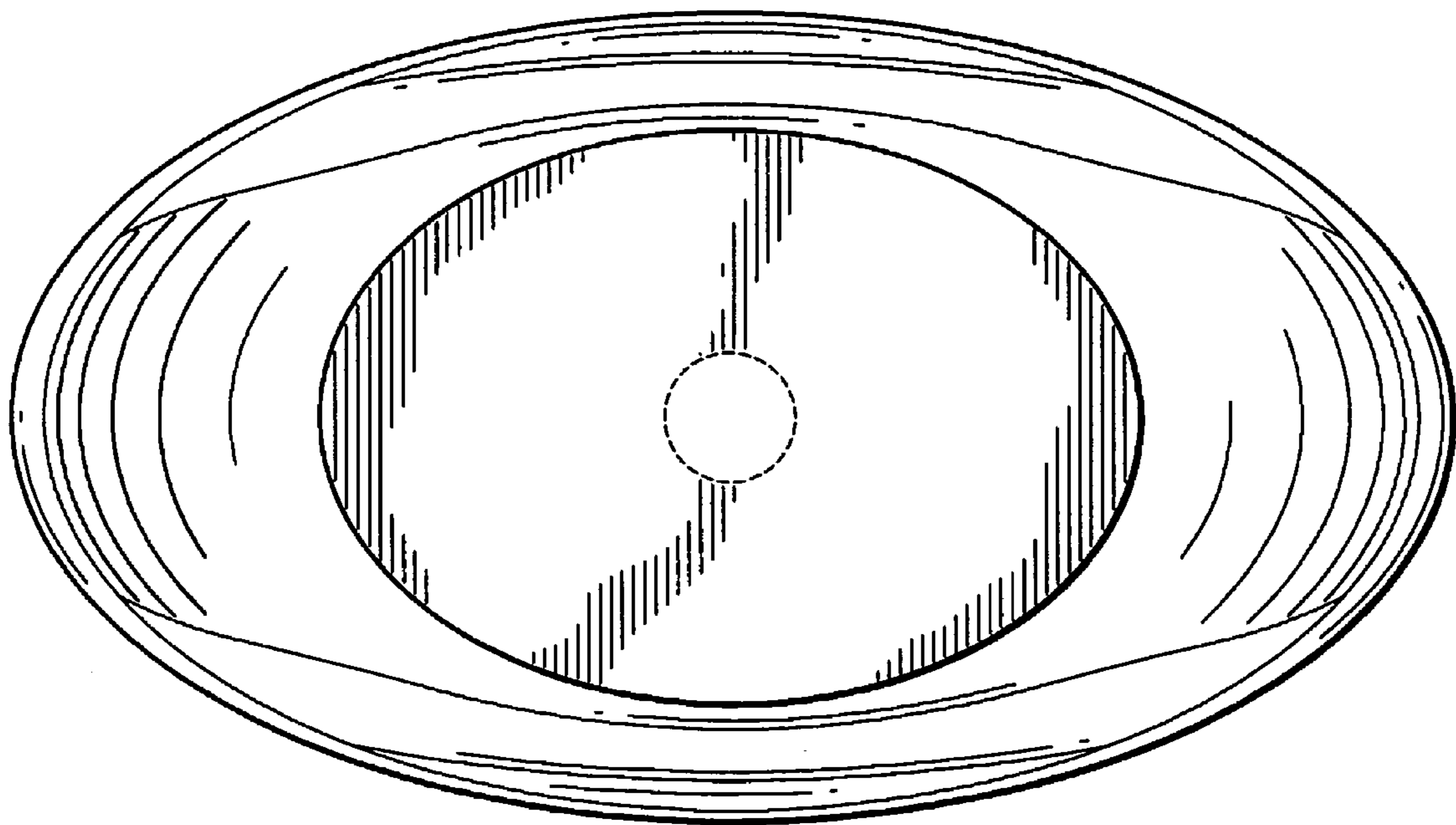


FIG. 5