



US00D633356S

(12) **United States Design Patent**  
**Dirksen**

(10) **Patent No.:** **US D633,356 S**  
(45) **Date of Patent:** **\*\* Mar. 1, 2011**

(54) **SCROLL CUTTING KNIFE**  
(75) Inventor: **Steven T. Dirksen**, Minster, OH (US)  
(73) Assignee: **Precision Strip, Inc.**, Minster, OH (US)  
(\*\*) Term: **14 Years**  
(21) Appl. No.: **29/357,667**  
(22) Filed: **Mar. 16, 2010**  
(51) **LOC (9) Cl.** ..... **08-05**  
(52) **U.S. Cl.** ..... **D8/70; D15/139**  
(58) **Field of Classification Search** ..... D8/70;  
D15/139; 29/557; 408/200-225, 1 R; 418/55.1,  
418/55.2  
See application file for complete search history.

(56) **References Cited**  
U.S. PATENT DOCUMENTS  
3,382,743 A \* 5/1968 Trevathan ..... 408/204  
(Continued)

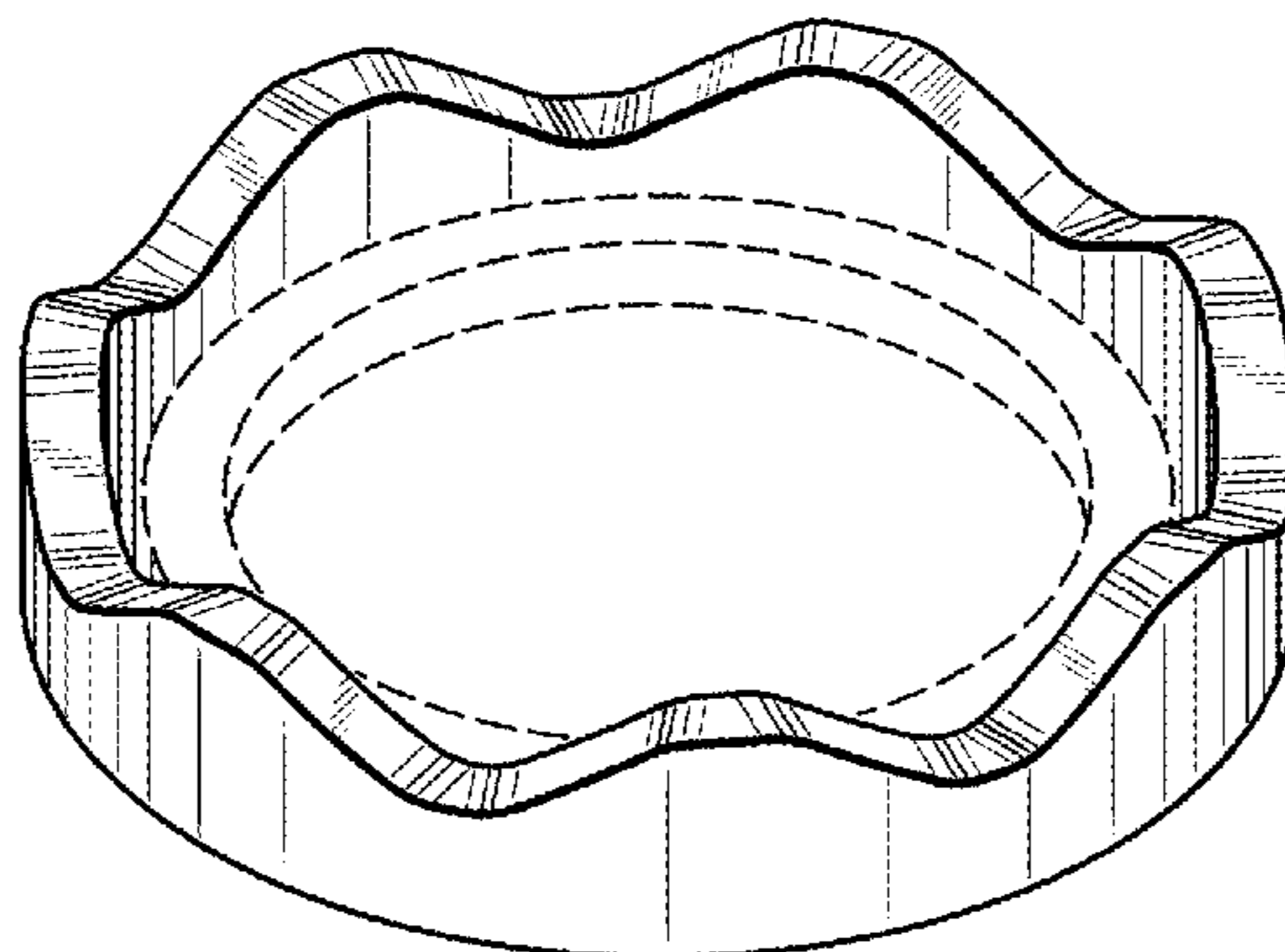
*Primary Examiner*—Antoine D Davis  
(74) *Attorney, Agent, or Firm*—Wood, Herron & Evans, LLP

(57) **CLAIM**  
The ornamental design for a scroll cutting knife, as shown and described.

**DESCRIPTION**  
FIG. 1 is a perspective view of a first embodiment of a scroll cutting knife.  
FIG. 2 is a front view of the scroll cutting knife of FIG. 1.  
FIG. 3 is a right side view of the scroll cutting knife of FIG. 1 (the left side view is a mirror image of this view).  
FIG. 4 is a rear view of the scroll cutting knife of FIG. 1.  
FIG. 5 is a top view of the scroll cutting knife of FIG. 1.  
FIG. 6 is a bottom view of the scroll cutting knife of FIG. 1.  
FIG. 7 is a perspective view of a second embodiment of a scroll cutting knife.  
FIG. 8 is a front and a rear view of the scroll cutting knife of FIG. 7.

FIG. 9 is both a left and a right view of the scroll cutting knife of FIG. 7.  
FIG. 10 is a top view of the scroll cutting knife of FIG. 7.  
FIG. 11 is a bottom view of the scroll cutting knife of FIG. 7.  
FIG. 12 is a perspective view of a third embodiment of a scroll cutting knife.  
FIG. 13 is a front view of the scroll cutting knife of FIG. 12.  
FIG. 14 is a right side view of the scroll cutting knife of FIG. 12 (the left side view is a mirror image of this view).  
FIG. 15 is a rear view of the scroll cutting knife of FIG. 12.  
FIG. 16 is a top view of the scroll cutting knife of FIG. 12.  
FIG. 17 is a top view of the scroll cutting knife of FIG. 12.  
FIG. 18 is a perspective view of a fourth embodiment of a scroll cutting knife.  
FIG. 19 is a front, side, and rear view of the scroll cutting knife of FIG. 18.  
FIG. 20 is a top view of the scroll cutting knife of FIG. 18.  
FIG. 21 is a bottom view of the scroll cutting knife of FIG. 18.  
FIG. 22 is a perspective view of a fifth embodiment of a scroll cutting knife.  
FIG. 23 is a front and rear view of the scroll cutting knife of FIG. 22.  
FIG. 24 is a right and left view of the scroll cutting knife of FIG. 22.  
FIG. 25 is a top view of the scroll cutting knife of FIG. 22.  
FIG. 26 is a bottom view of the scroll cutting knife of FIG. 22.  
FIG. 27 is a perspective view of a sixth embodiment of a scroll cutting knife.  
FIG. 28 is a front, side and rear view of the scroll cutting knife of FIG. 27.  
FIG. 29 is a top view of the scroll cutting knife of FIG. 27; and,  
FIG. 30 is a bottom view of the scroll cutting knife of FIG. 27.  
The broken lines in FIGS. 1, 5-7, 10-12, 16-18, 20-22, 25-27, 29, and 30 are for illustrative purposes only, and form no part of the claimed scroll cutting knife.

**1 Claim, 12 Drawing Sheets**



# US D633,356 S

Page 2

---

## U.S. PATENT DOCUMENTS

3,973,862	A *	8/1976	Segal	.....	408/204	5,027,509	A	7/1991	Barben et al.	
4,470,331	A	9/1984	Eiting et al.			5,316,416	A *	5/1994	Kim	..... 408/204
4,508,282	A	4/1985	Eiting			D391,974	S *	3/1998	Brutscher	..... D15/139
4,616,965	A *	10/1986	Anderson et al.	.....	408/204	D392,297	S *	3/1998	Brutscher	..... D15/139
4,681,001	A	7/1987	Uehlinger et al.			D438,219	S *	2/2001	Brutscher	..... D15/139
4,846,033	A	7/1989	Uehlinger et al.			D478,105	S *	8/2003	Morton et al.	..... D15/139
4,906,809	A	3/1990	Workman			D516,594	S *	3/2006	Morton	..... D15/139
						D551,269	S *	9/2007	Burke, III	..... D15/139

\* cited by examiner

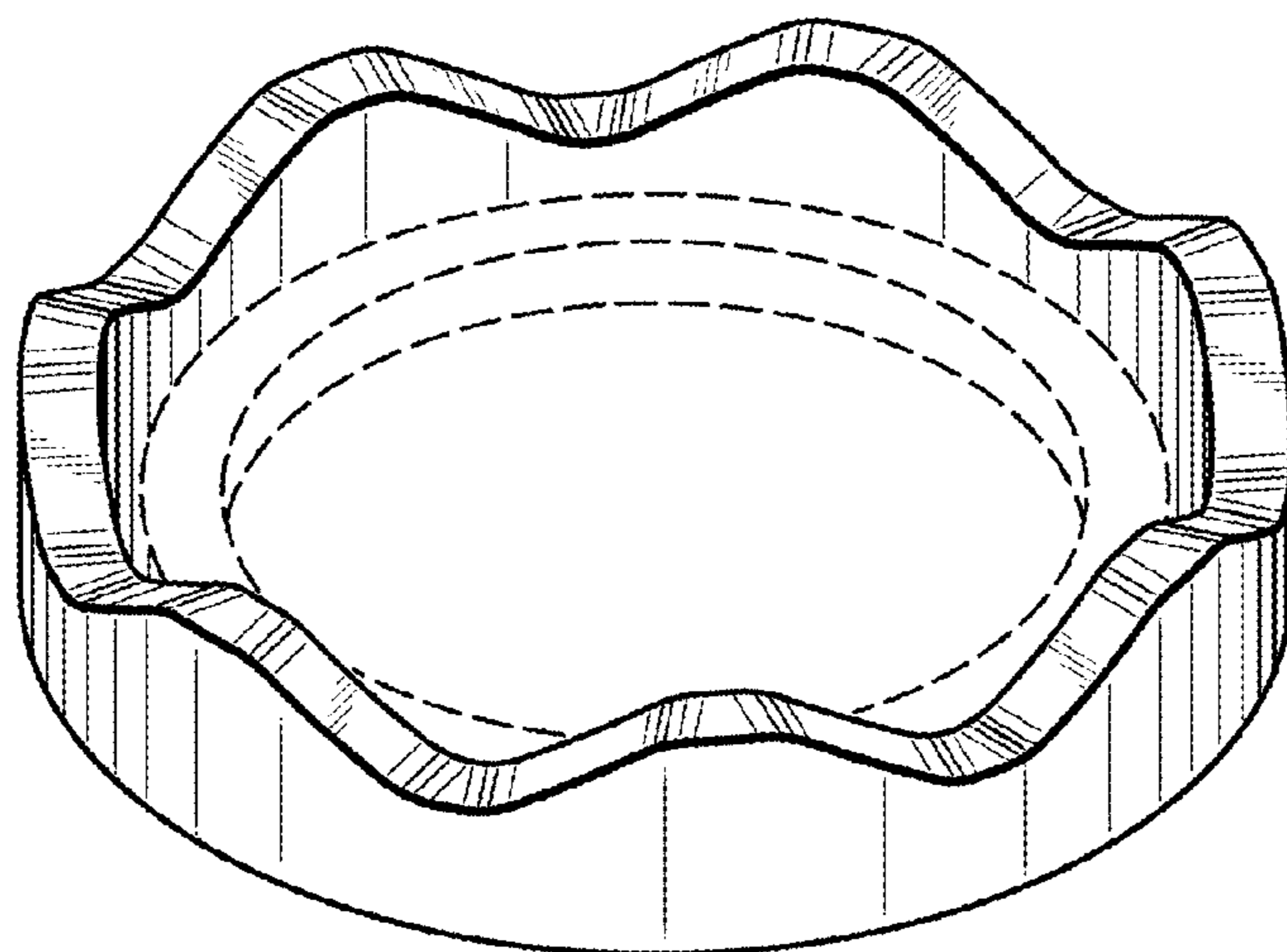


FIG. 1

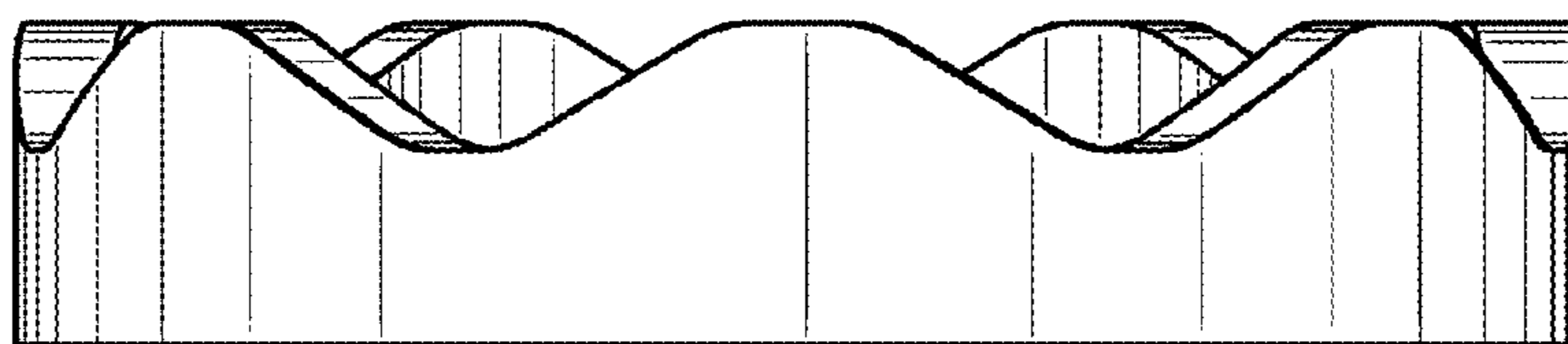


FIG. 2

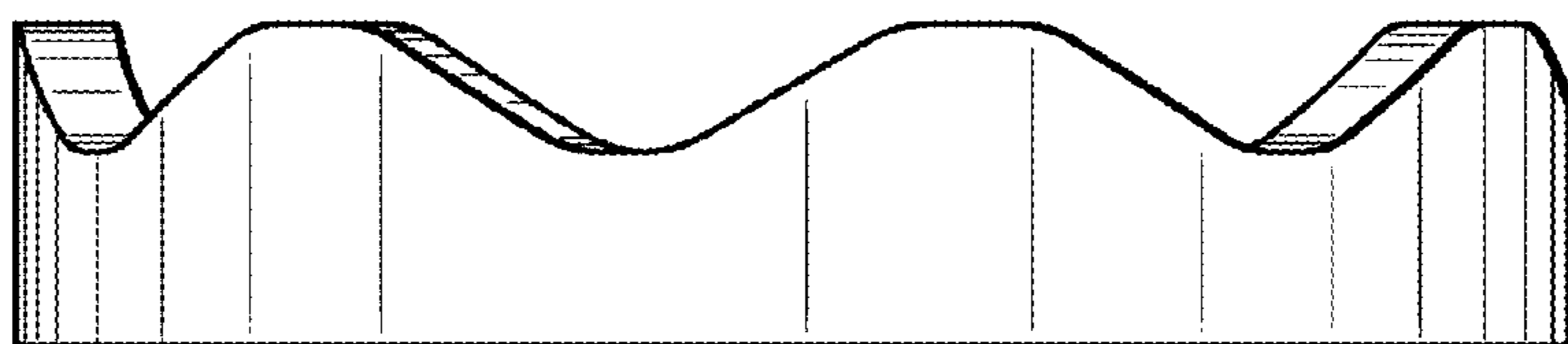


FIG. 3

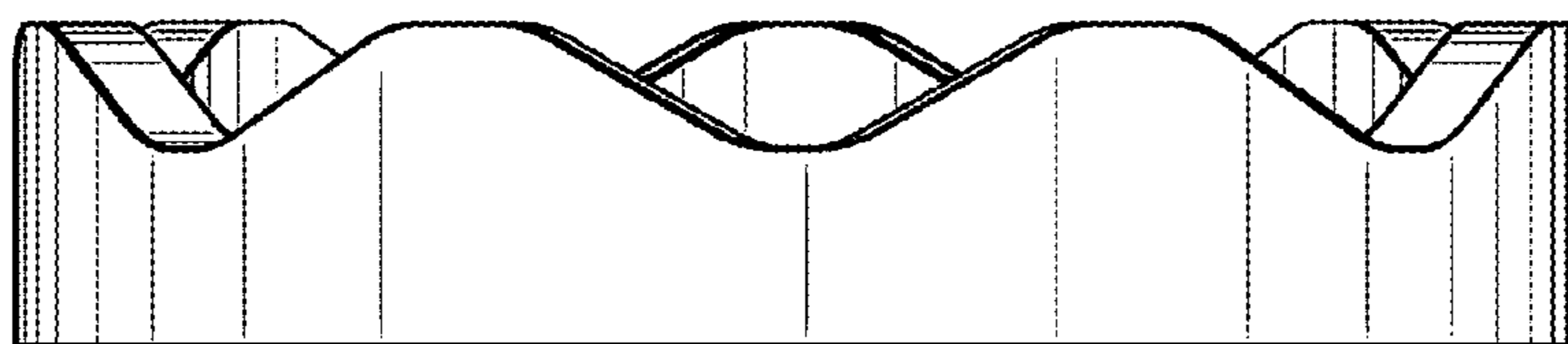


FIG. 4

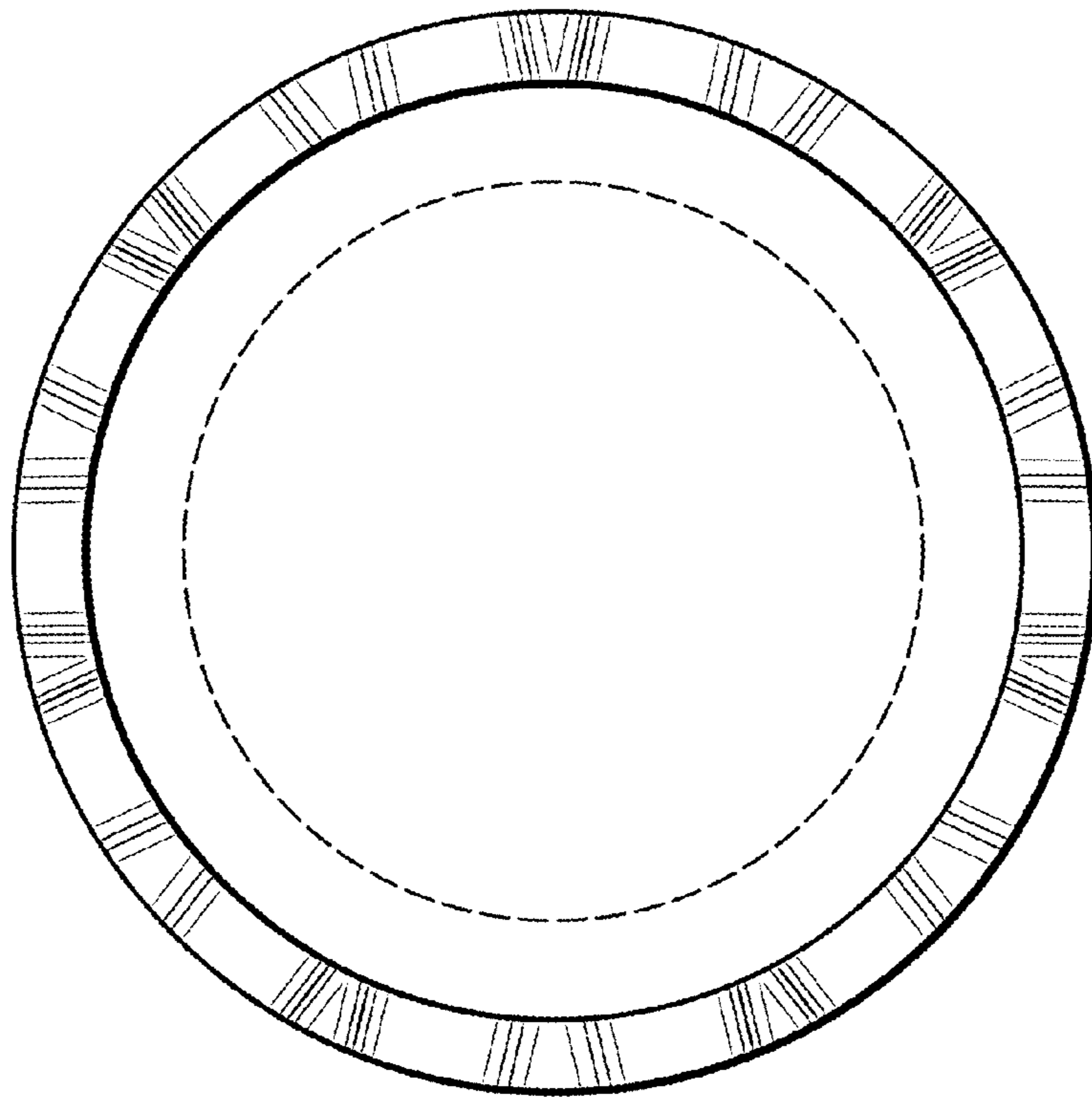


FIG. 5

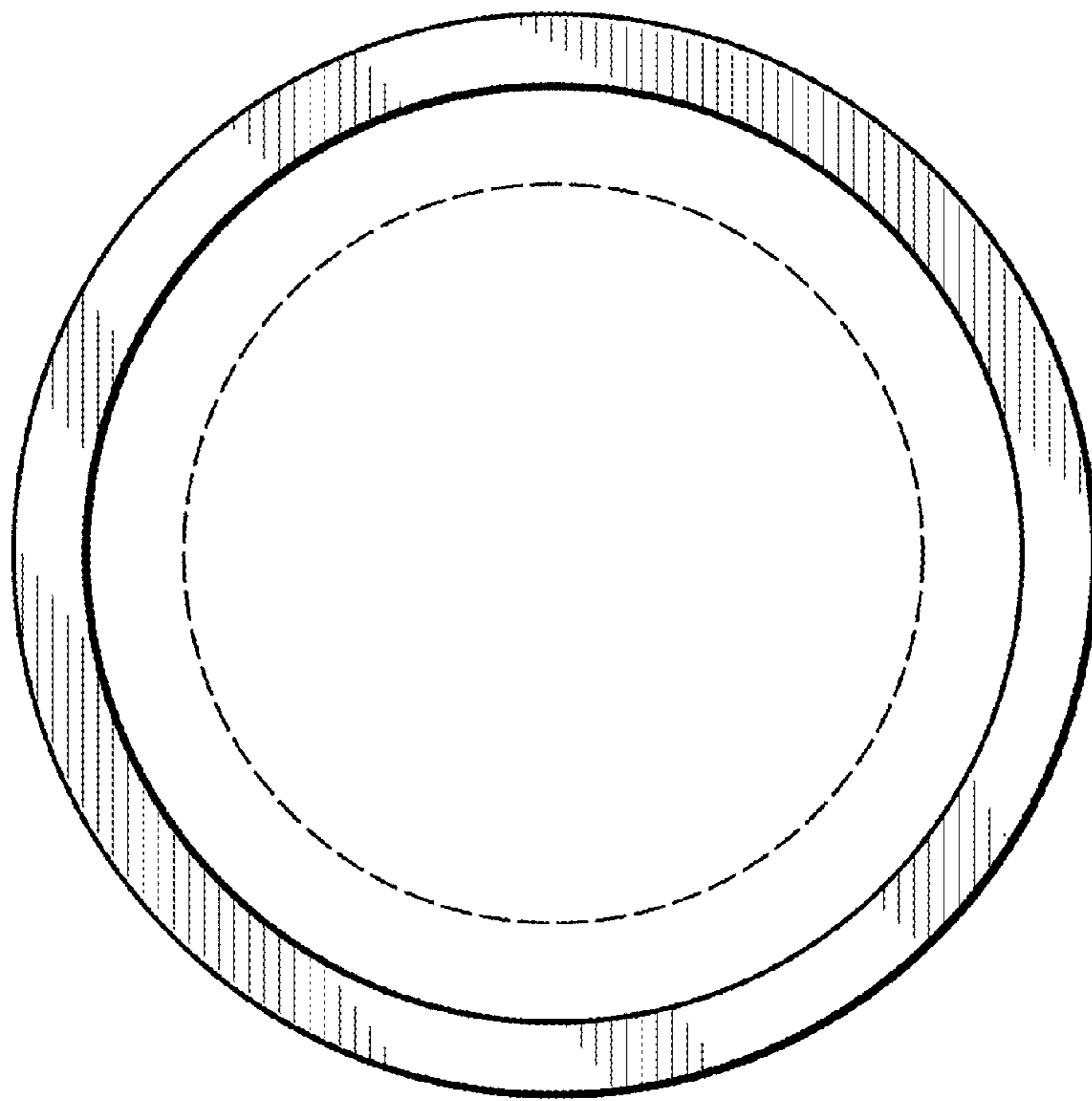


FIG. 6

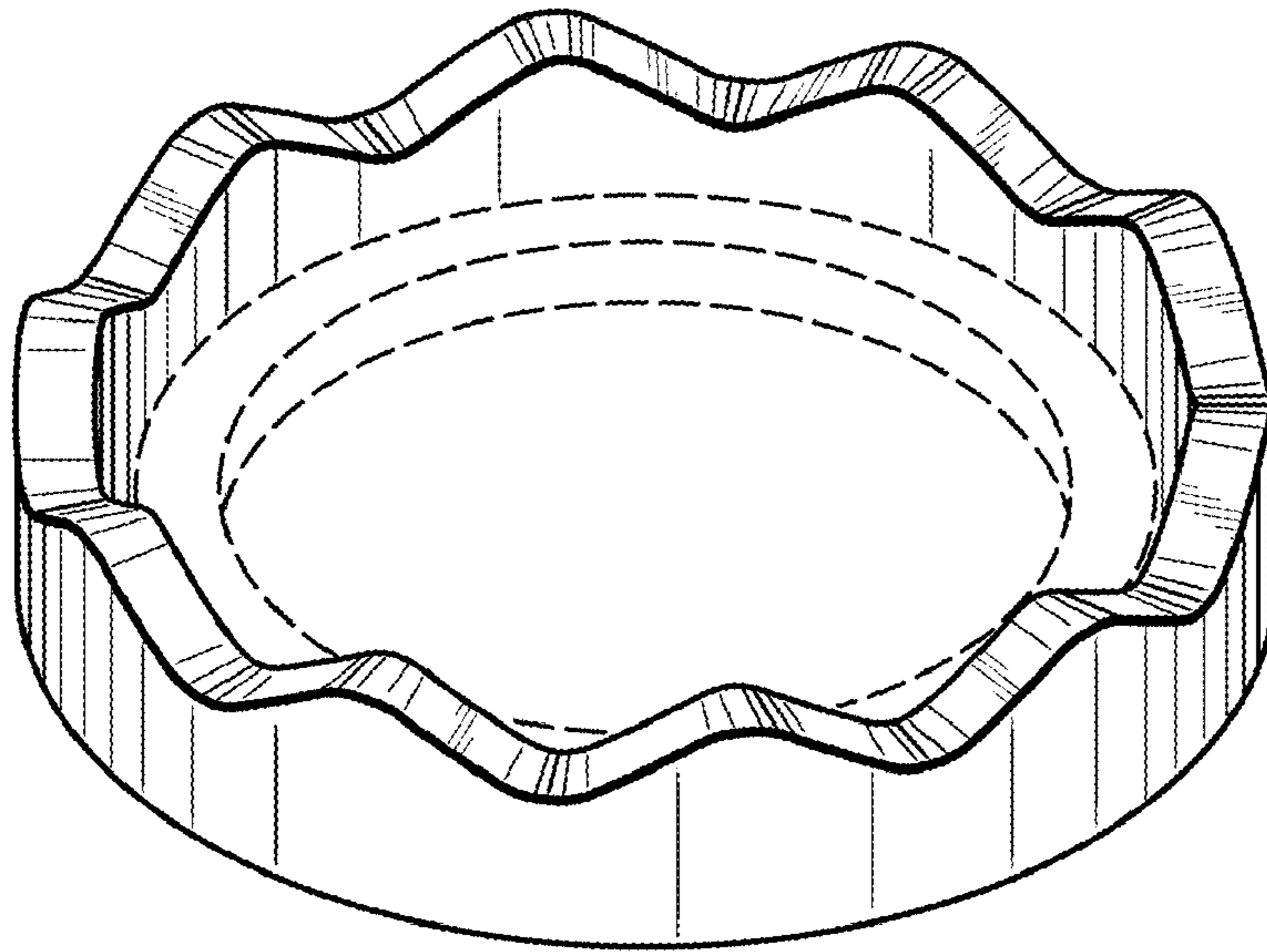


FIG. 7

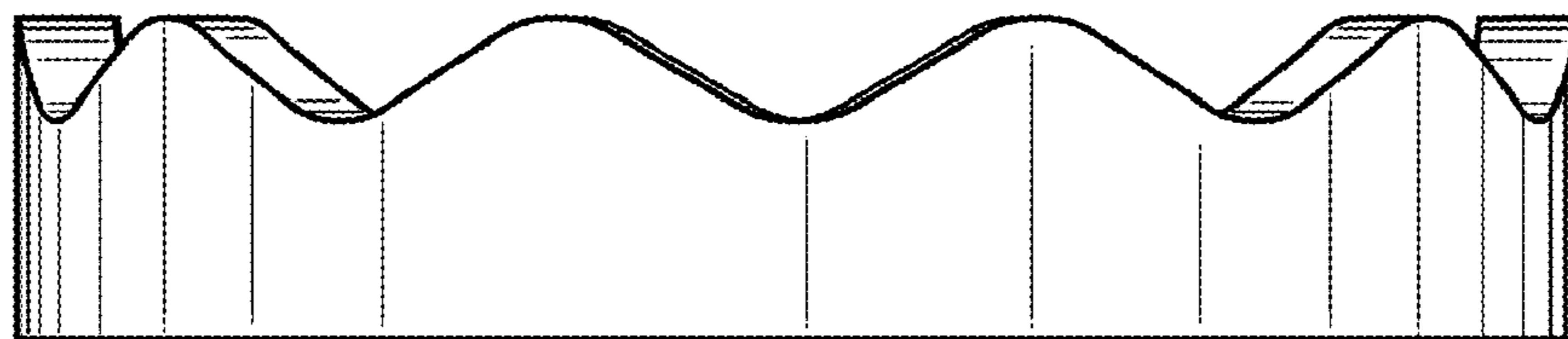


FIG. 8

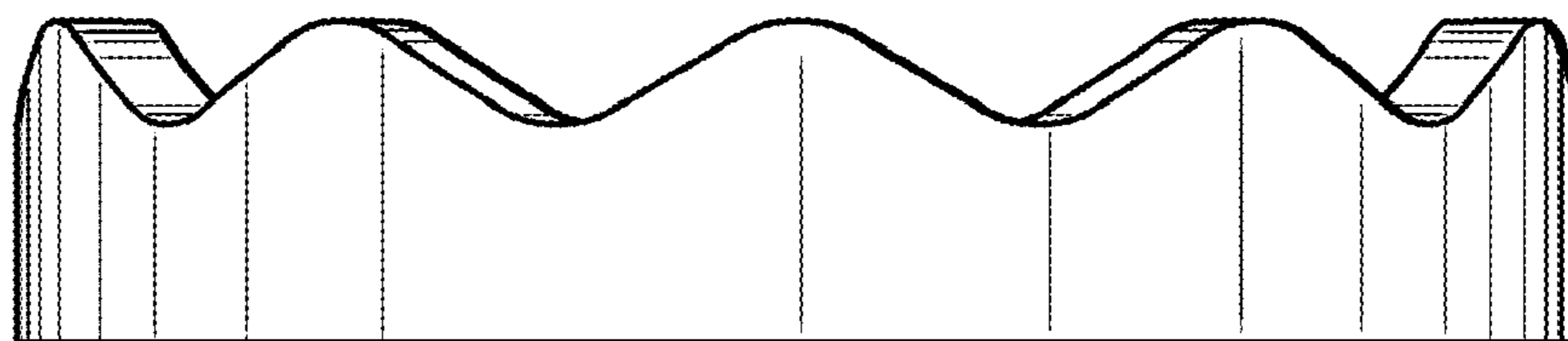


FIG. 9

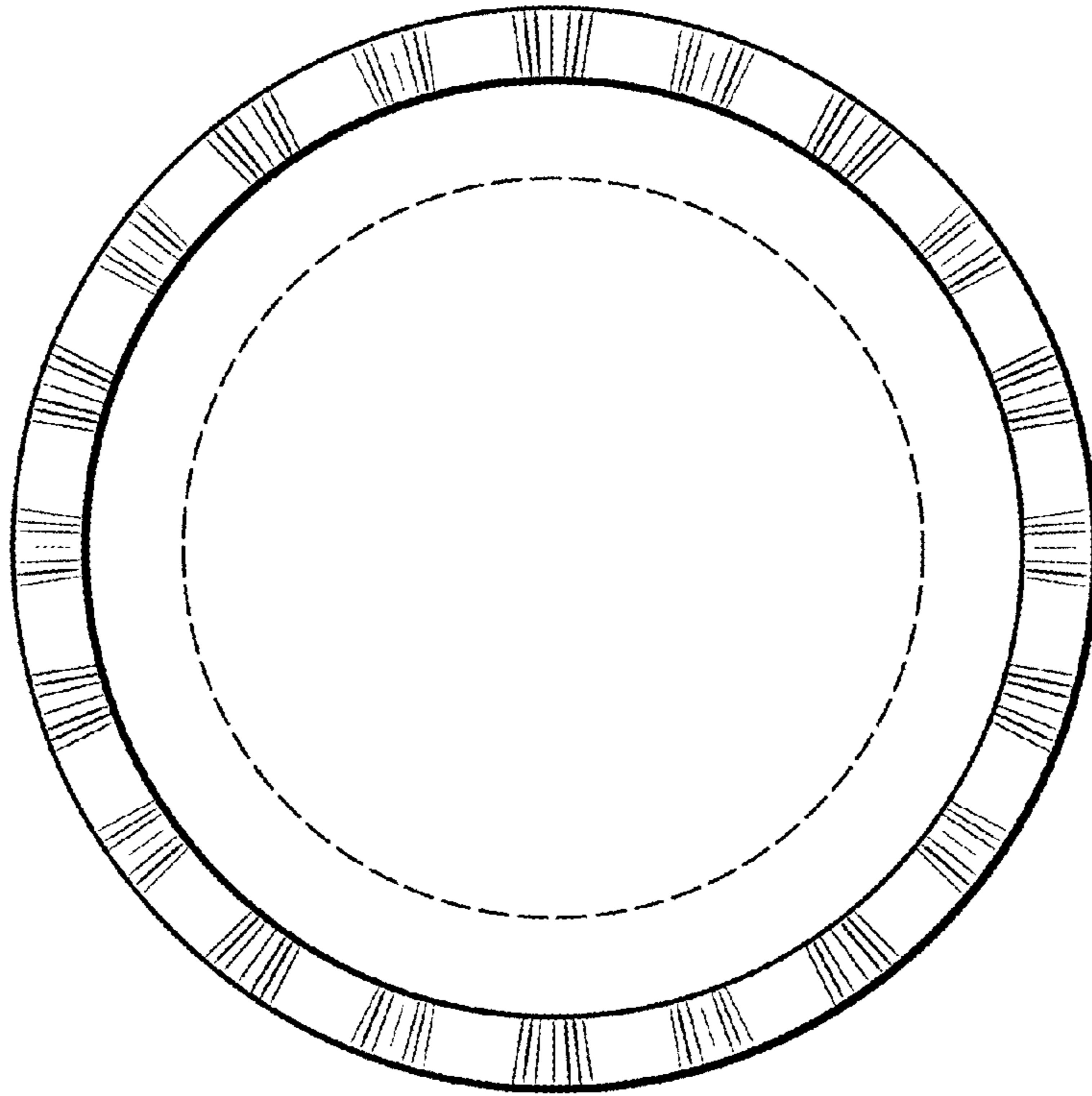


FIG. 10

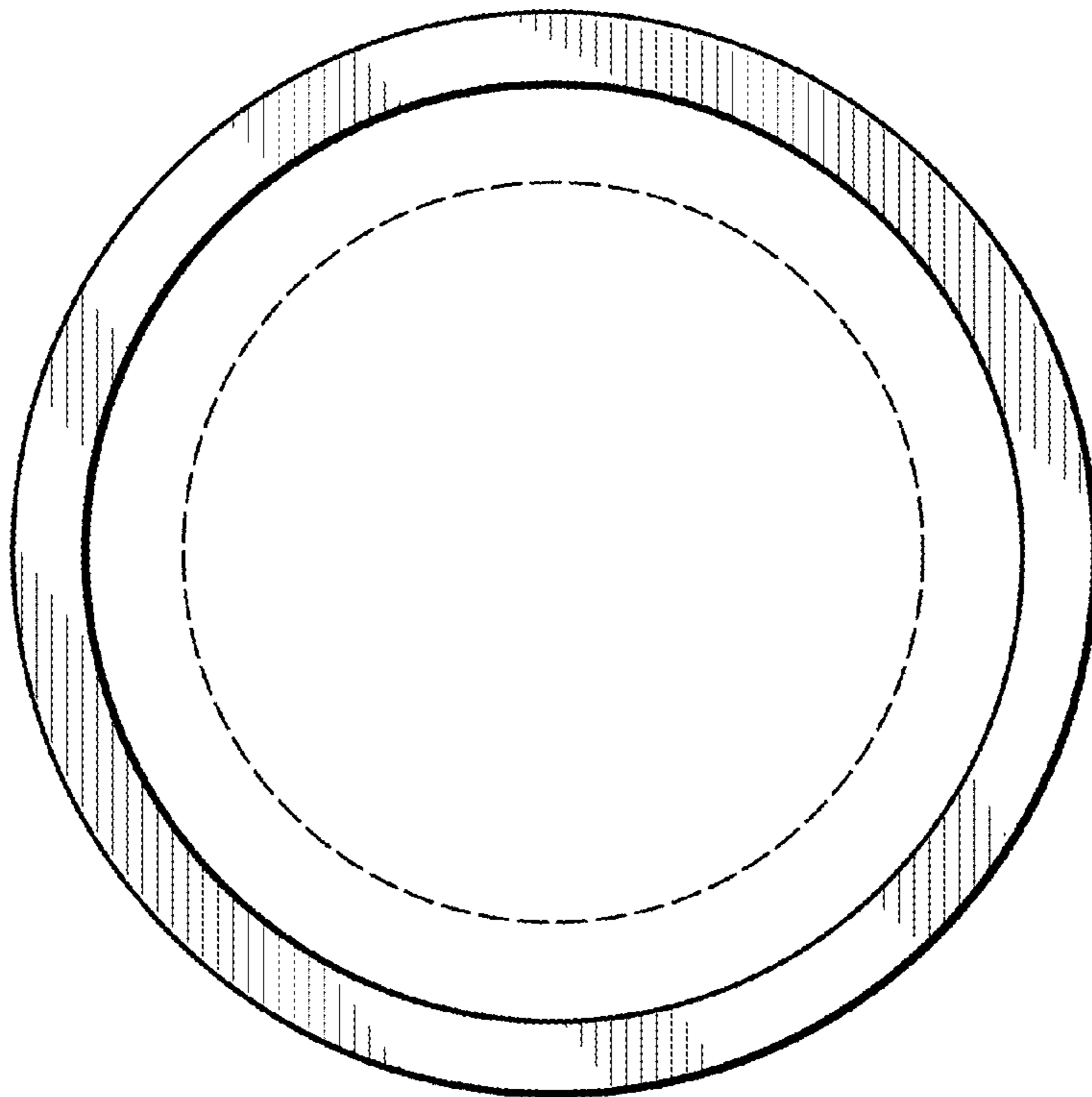


FIG. 11

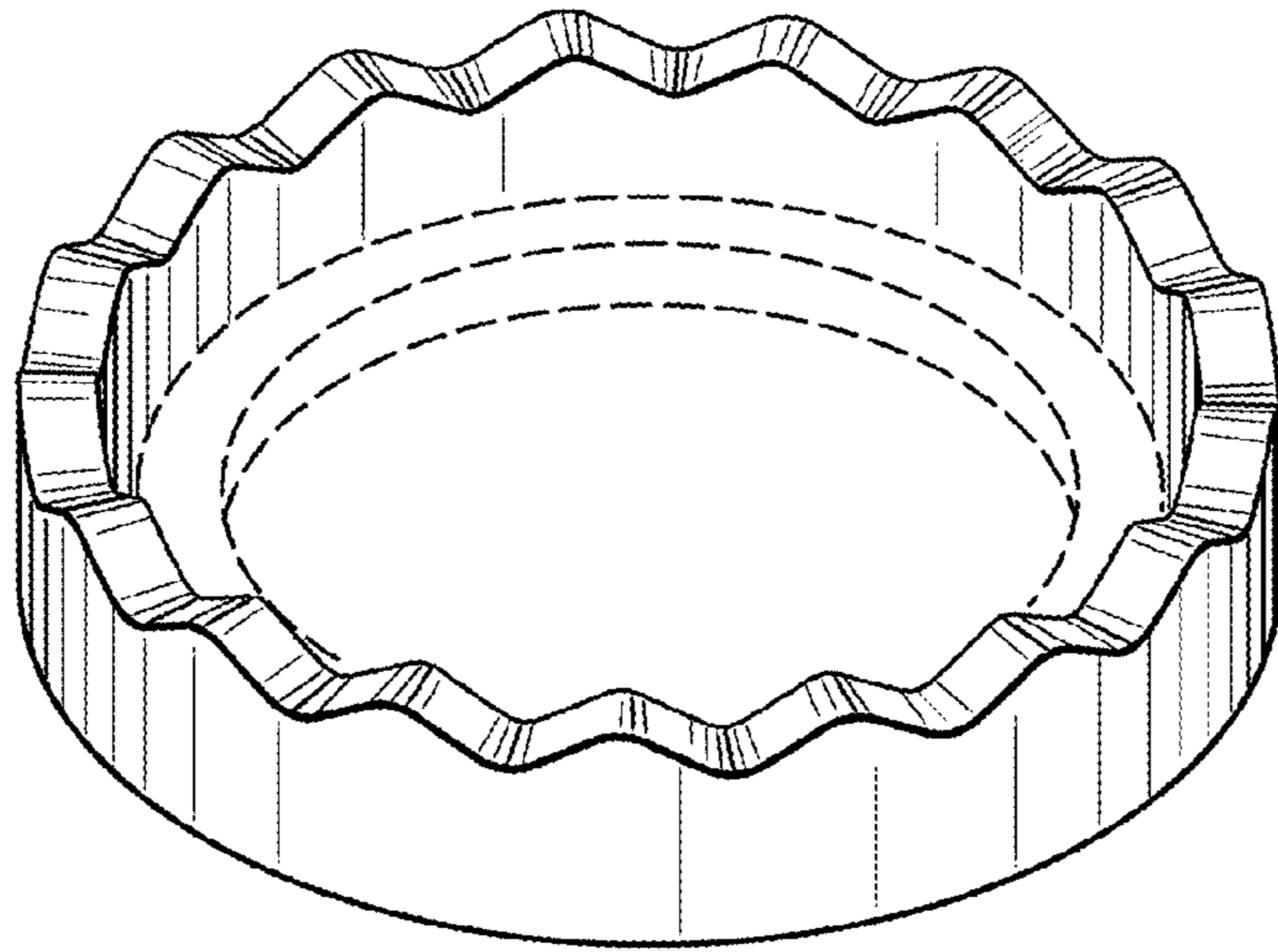


FIG. 12

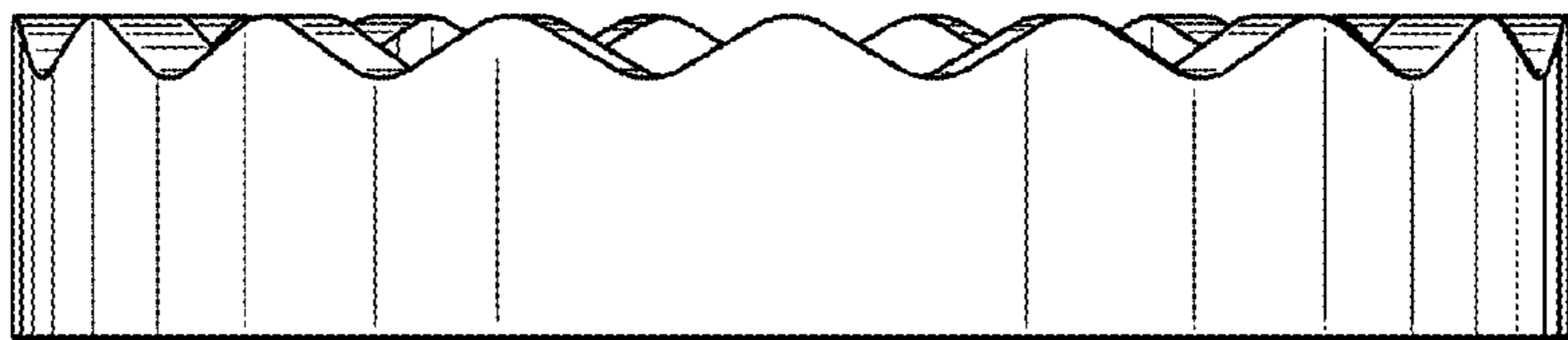


FIG. 13



FIG. 14

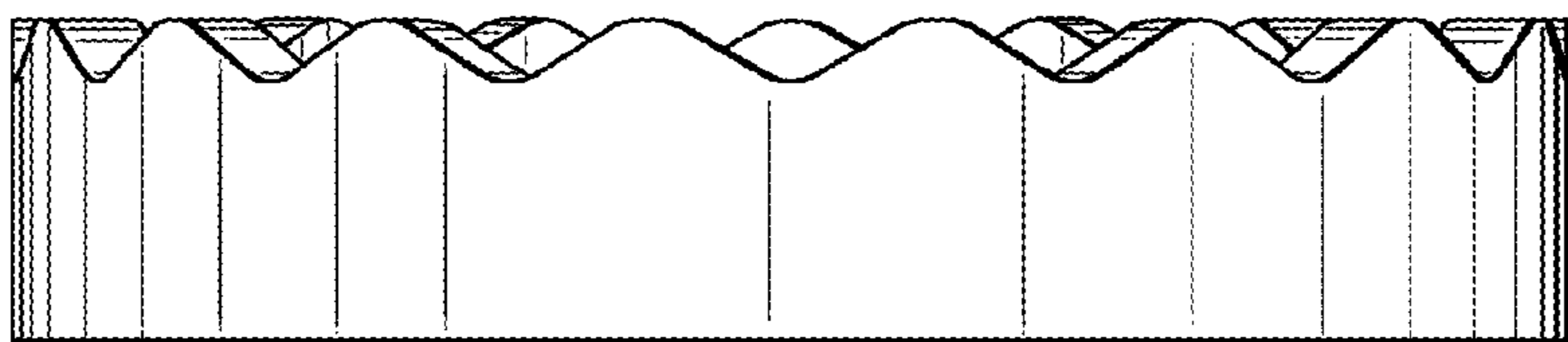


FIG. 15

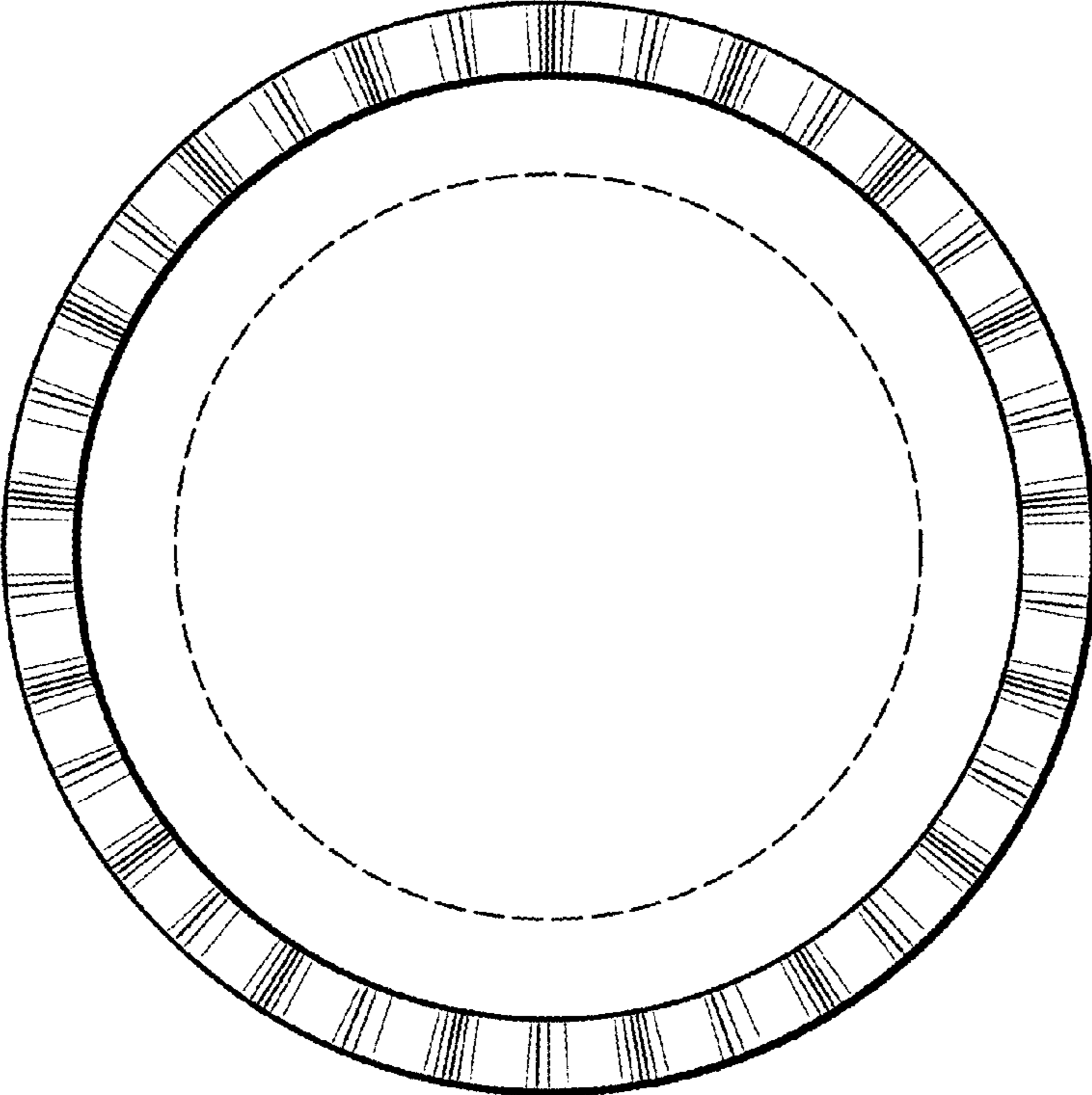


FIG. 16

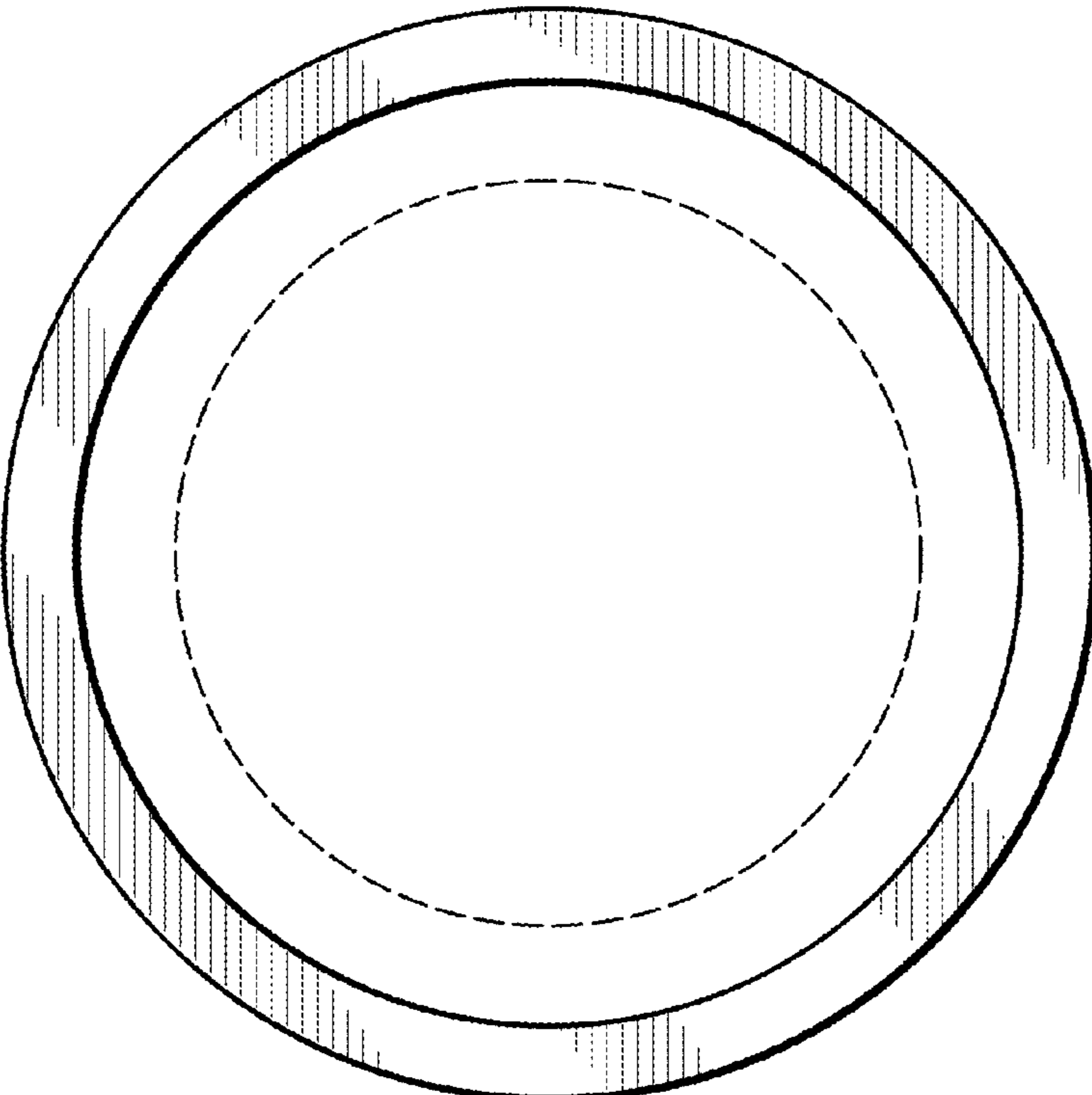


FIG. 17



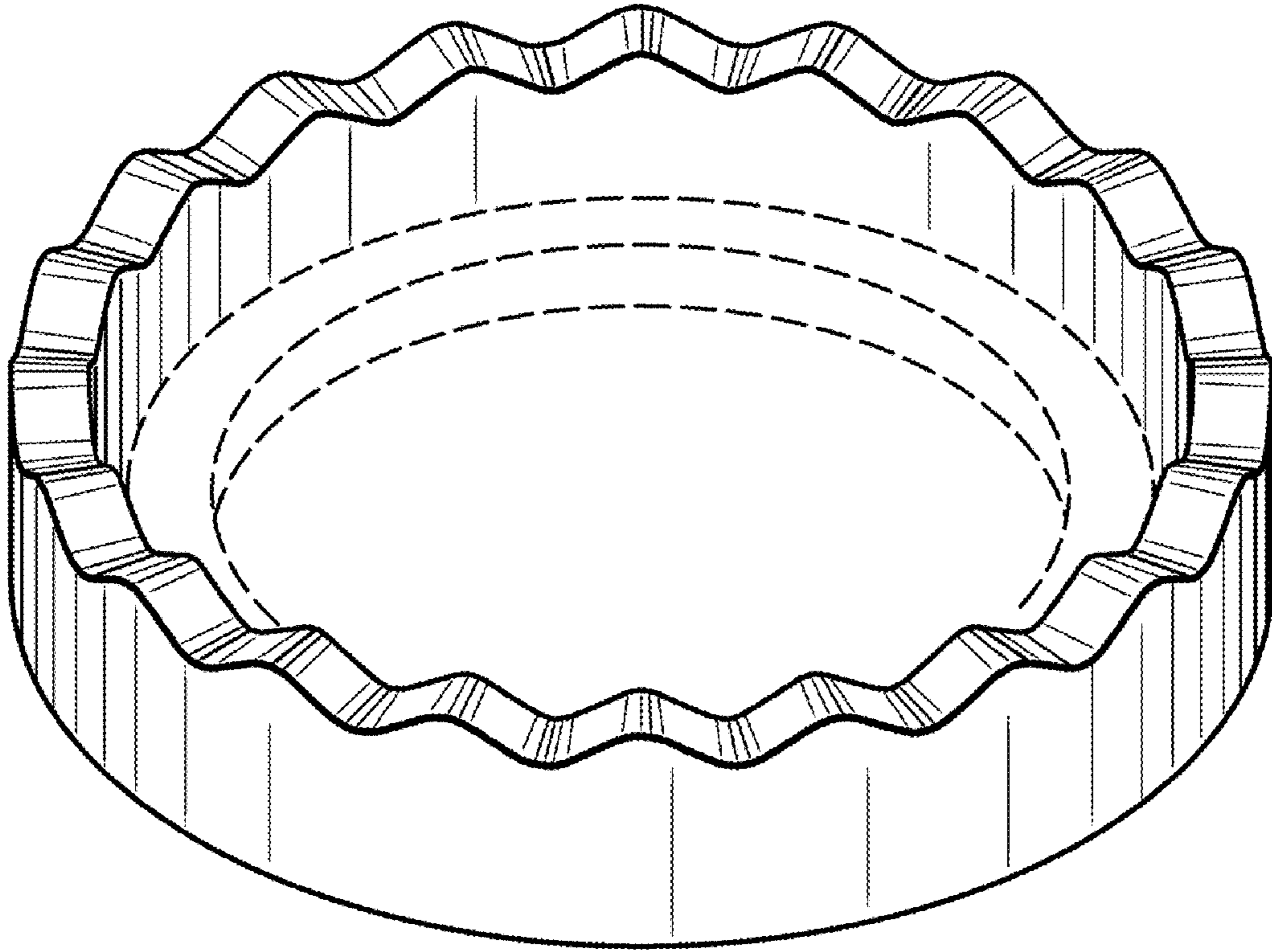


FIG. 18

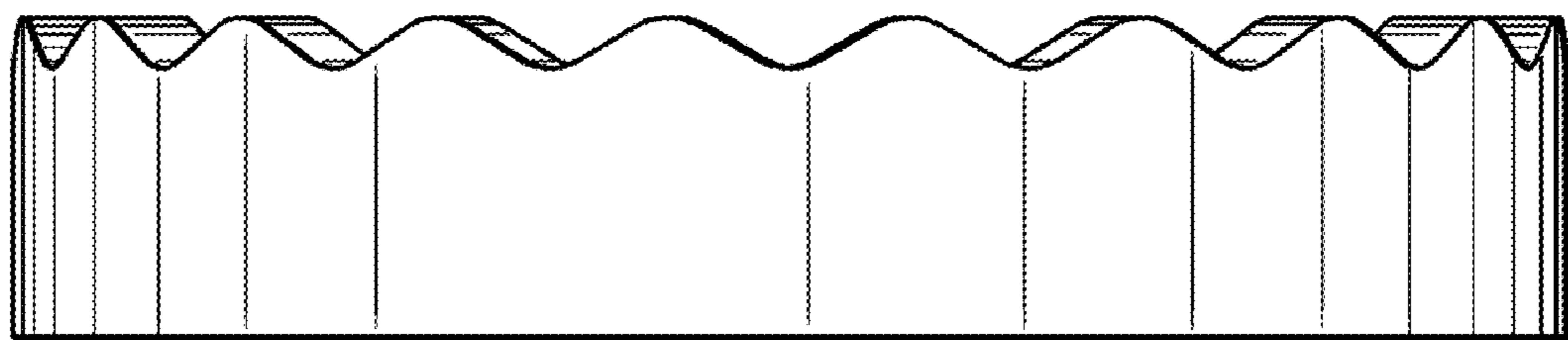


FIG. 19

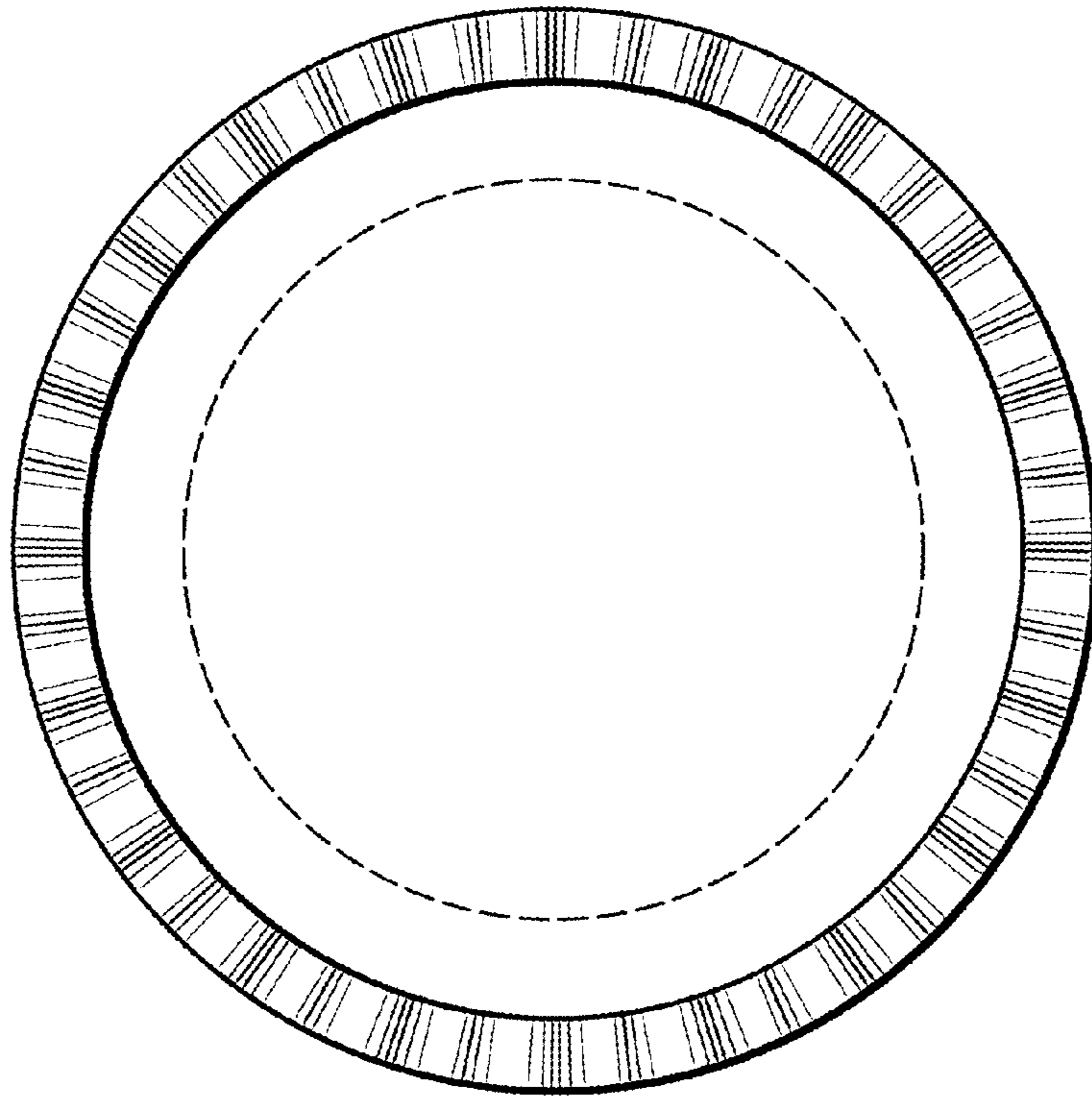


FIG. 20

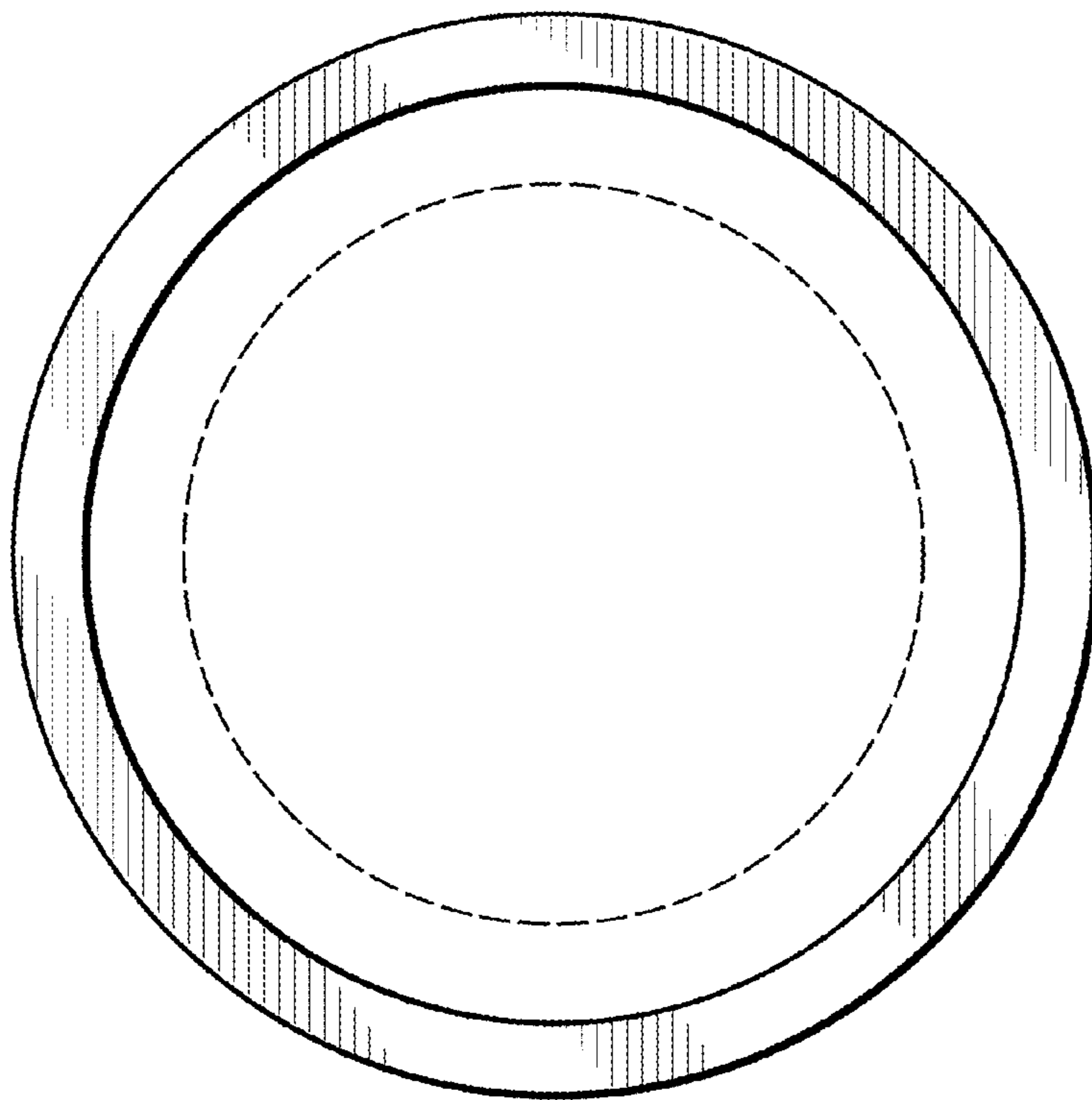


FIG. 21

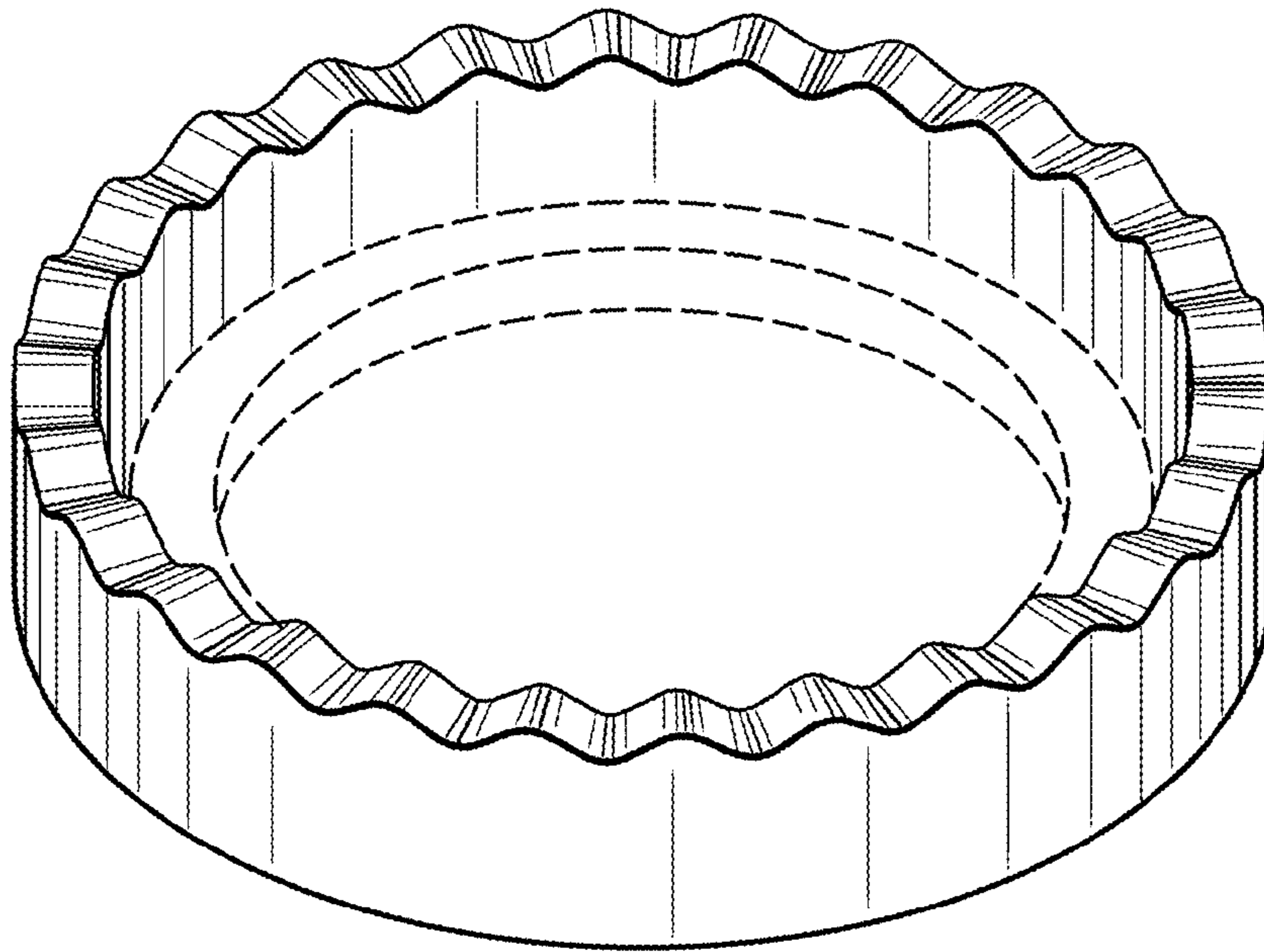


FIG. 22

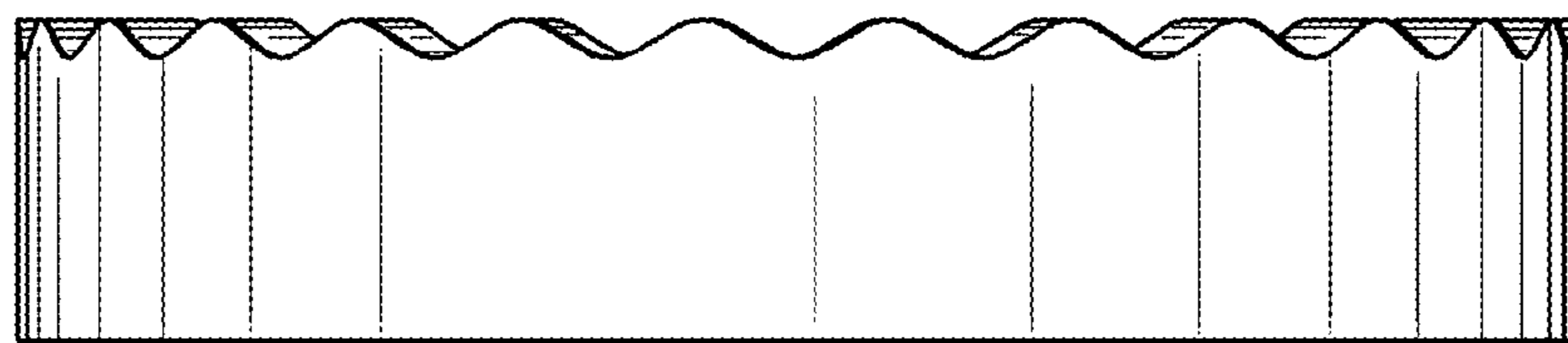


FIG. 23

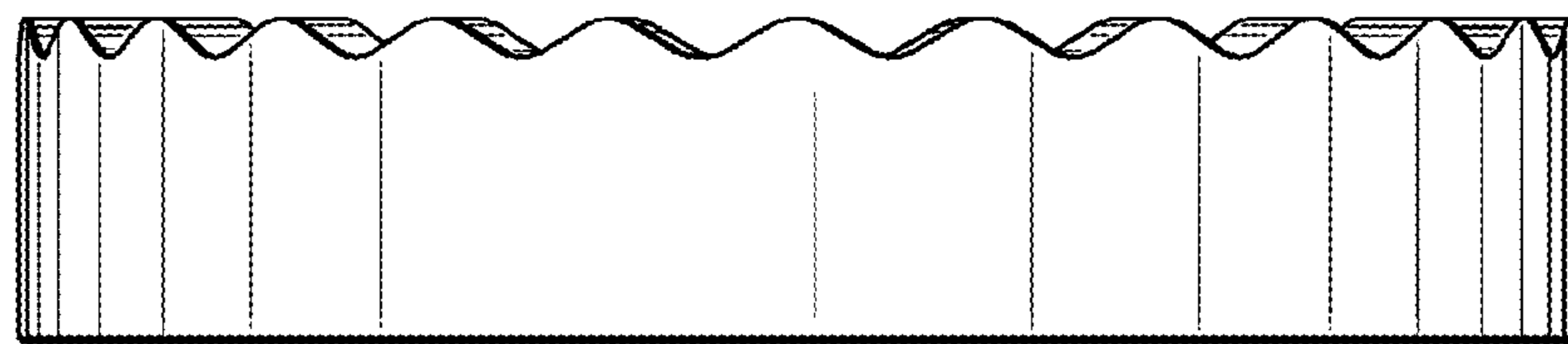


FIG. 24

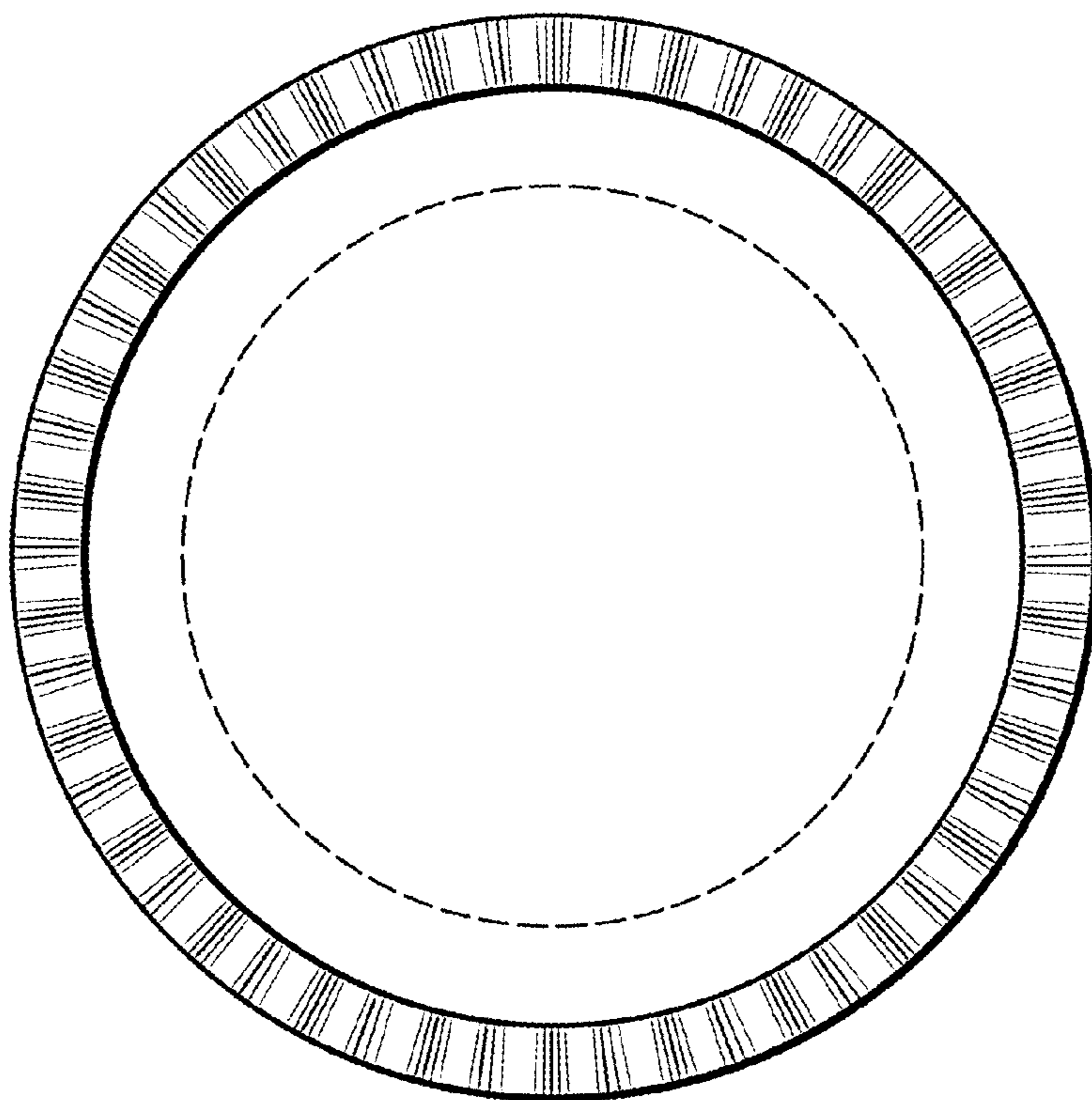


FIG. 25

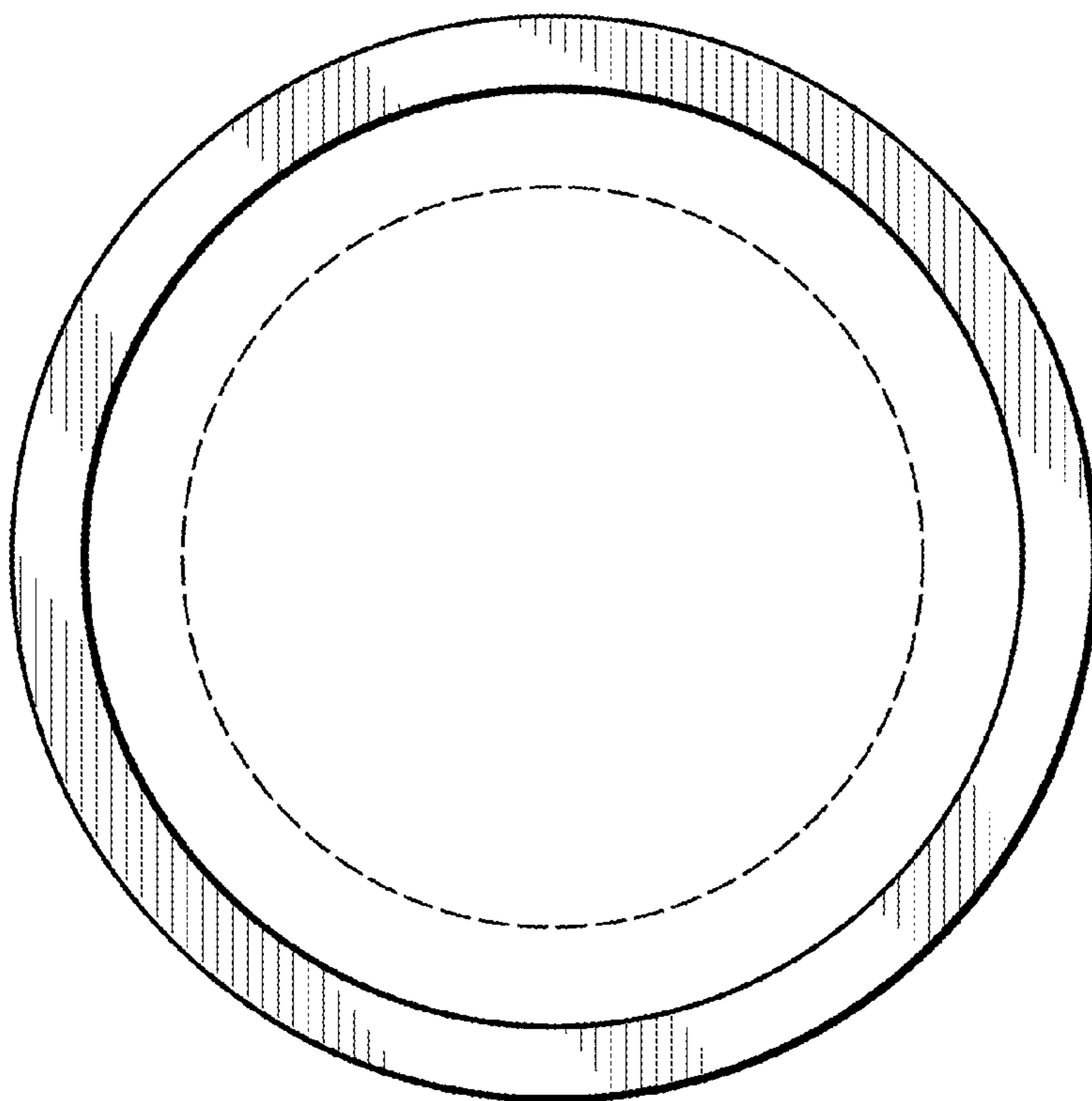


FIG. 26

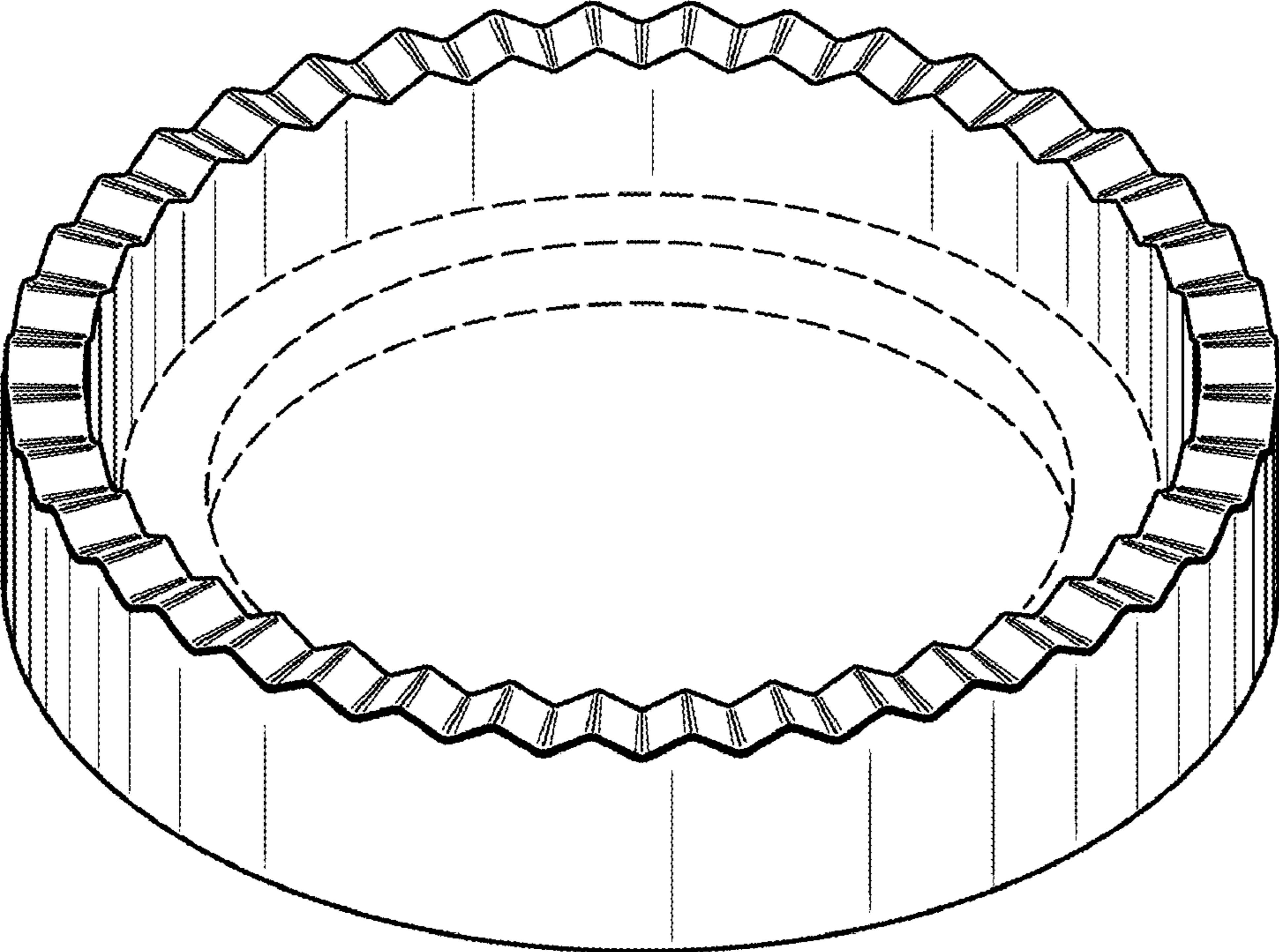


FIG. 27

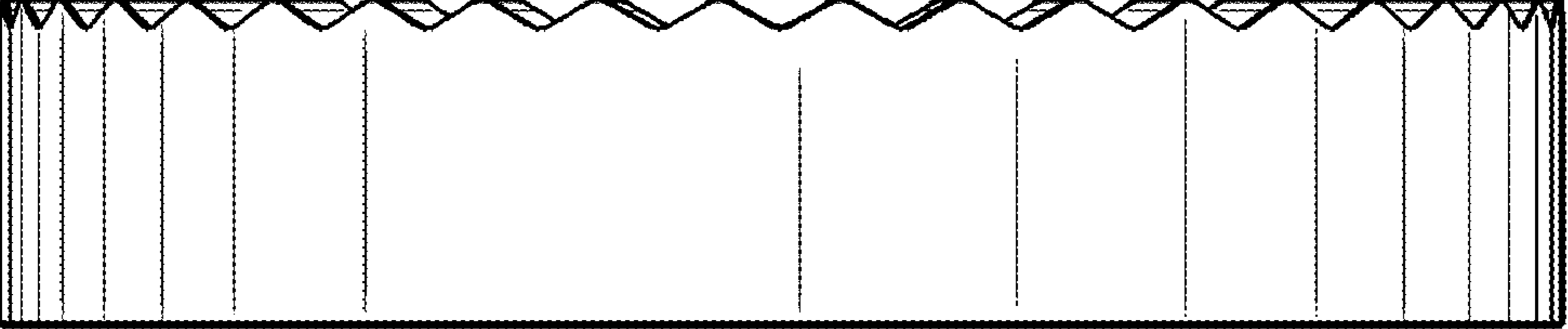


FIG. 28

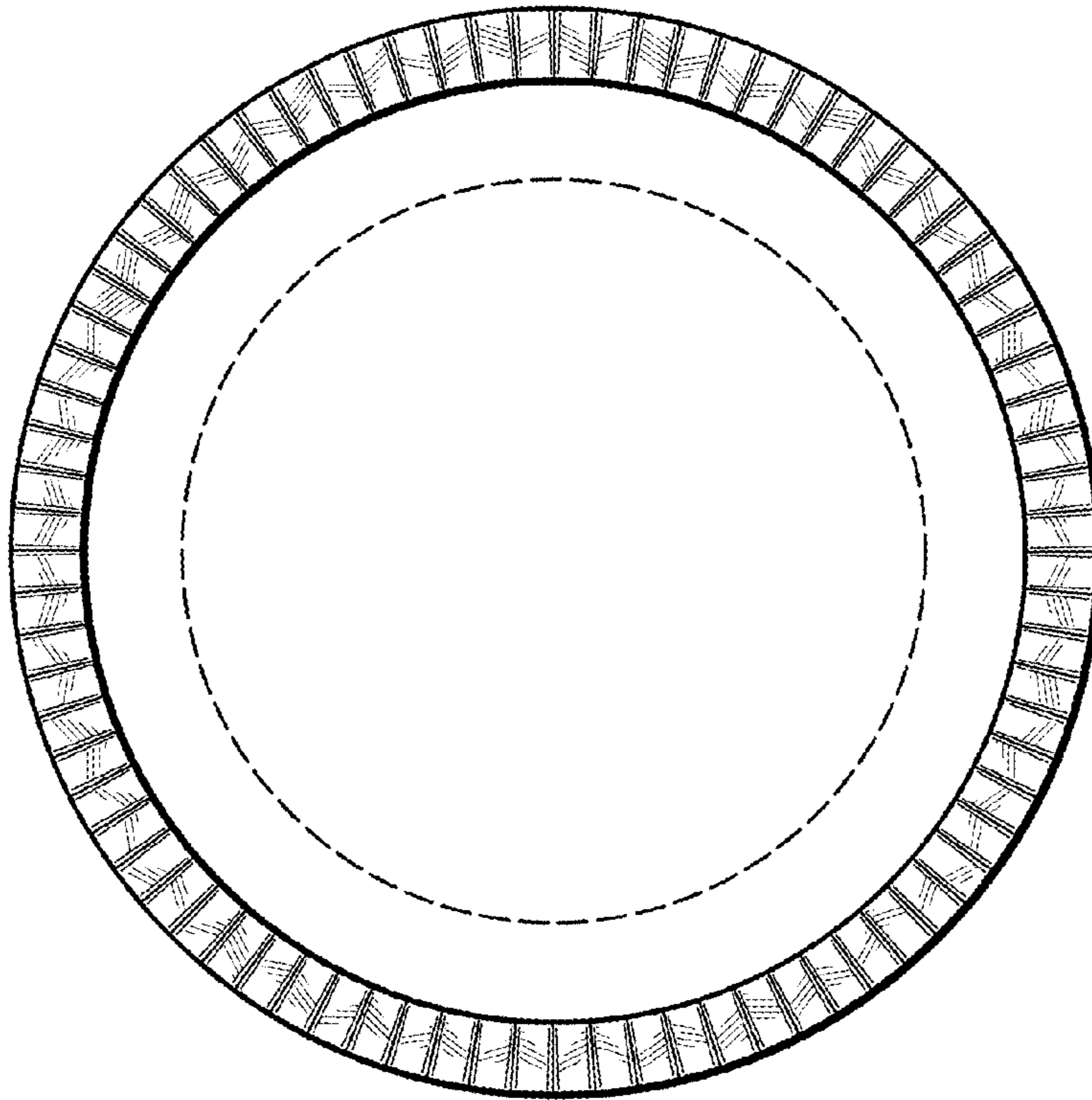


FIG. 29

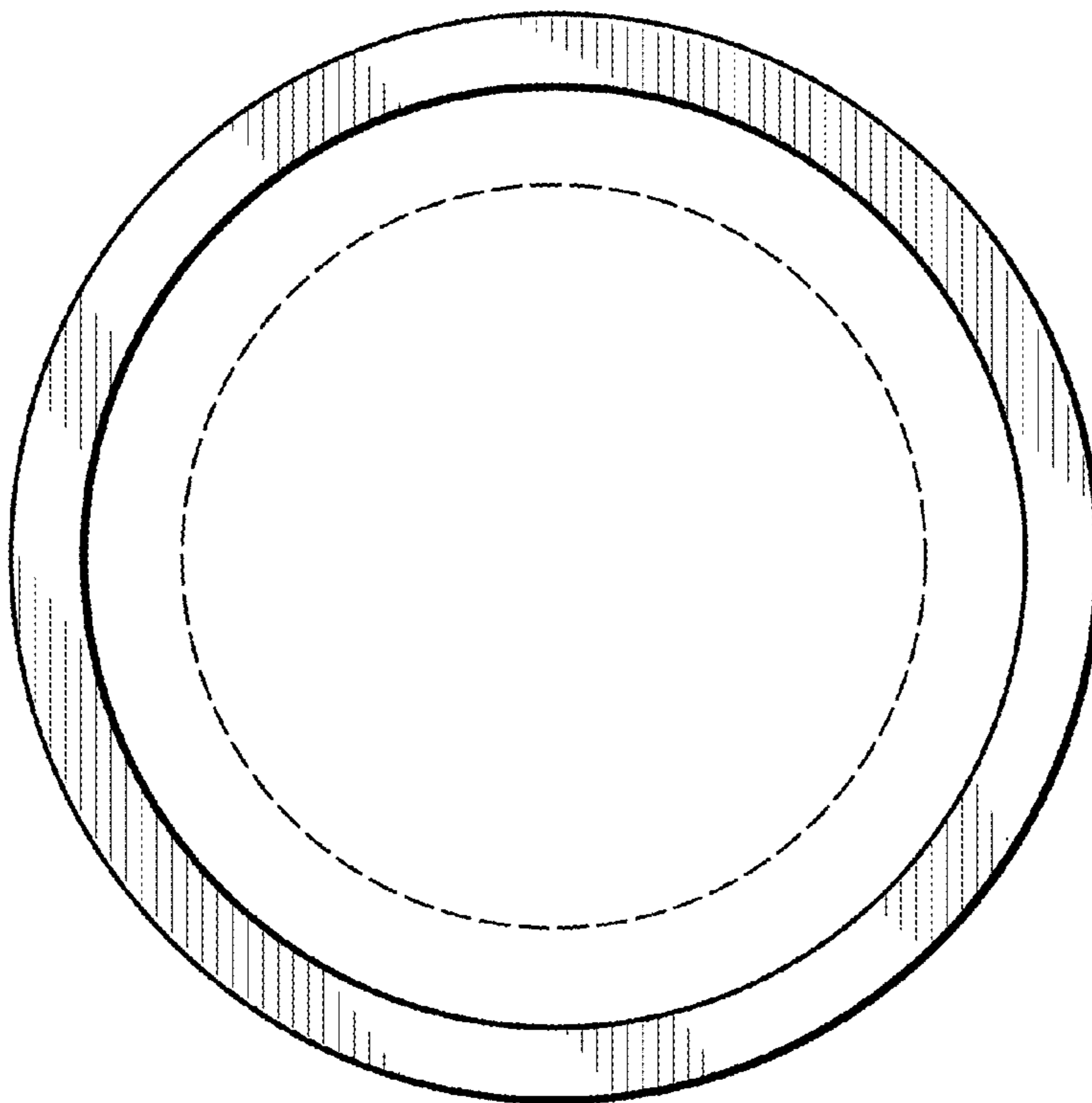


FIG. 30