

US00D633354S

(12) **United States Design Patent**
Buck

(10) **Patent No.:** **US D633,354 S**
(45) **Date of Patent:** **** Mar. 1, 2011**

(54) **PIN NAILER**

(75) Inventor: **John E. Buck**, Cockeysville, MD (US)

(73) Assignee: **Black & Decker Inc.**, Newark, DE (US)

(**) Term: **14 Years**

(21) Appl. No.: **29/349,132**

(22) Filed: **Mar. 10, 2010**

(51) **LOC (9) Cl.** **08-05**

(52) **U.S. Cl.** **D8/69**

(58) **Field of Classification Search** D8/68-69;
81/57.11, 429, 454, 455, 456, 469, 489; 173/13,
173/104, 114, 168, 169-171, 178, 201, 211,
173/213, 217; 408/20, 124, 125, 234, 241 R;
451/358; 310/50; 227/113, 114, 120, 130,
227/136, 142

See application file for complete search history.

(56) **References Cited**

U.S. PATENT DOCUMENTS

D434,628 S *	12/2000	Etter et al.	D8/69
D435,769 S *	1/2001	Etter et al.	D8/68
D497,091 S *	10/2004	Leasure	D8/69
D498,127 S *	11/2004	Leasure	D8/69
D506,654 S *	6/2005	Costa	D8/10
D512,622 S *	12/2005	Thomas	D8/69
D516,400 S *	3/2006	Yang	D8/69
D517,886 S *	3/2006	Thomas et al.	D8/69
D572,556 S *	7/2008	Leasure	D8/69

D575,608 S *	8/2008	Buck	D8/69
2005/0184120 A1 *	8/2005	Terrell et al.	227/8
2008/0134195 A1 *	6/2008	Birdwell et al.	707/E17.032
2008/0197166 A1 *	8/2008	Schnell et al.	227/130
2009/0178819 A1 *	7/2009	Schnell et al.	173/169

* cited by examiner

Primary Examiner—Antoine D Davis

(74) *Attorney, Agent, or Firm*—Rhonda L. Barton; Scott B. Markow; Adan Ayala

(57) **CLAIM**

The ornamental design for a pin nailer, as shown and described.

DESCRIPTION

FIG. 1 is a left perspective view of a pin nailer showing my new design;

FIG. 2 is a right perspective view thereof;

FIG. 3 is a right side view thereof;

FIG. 4 is a left side view thereof;

FIG. 5 is a bottom view thereof;

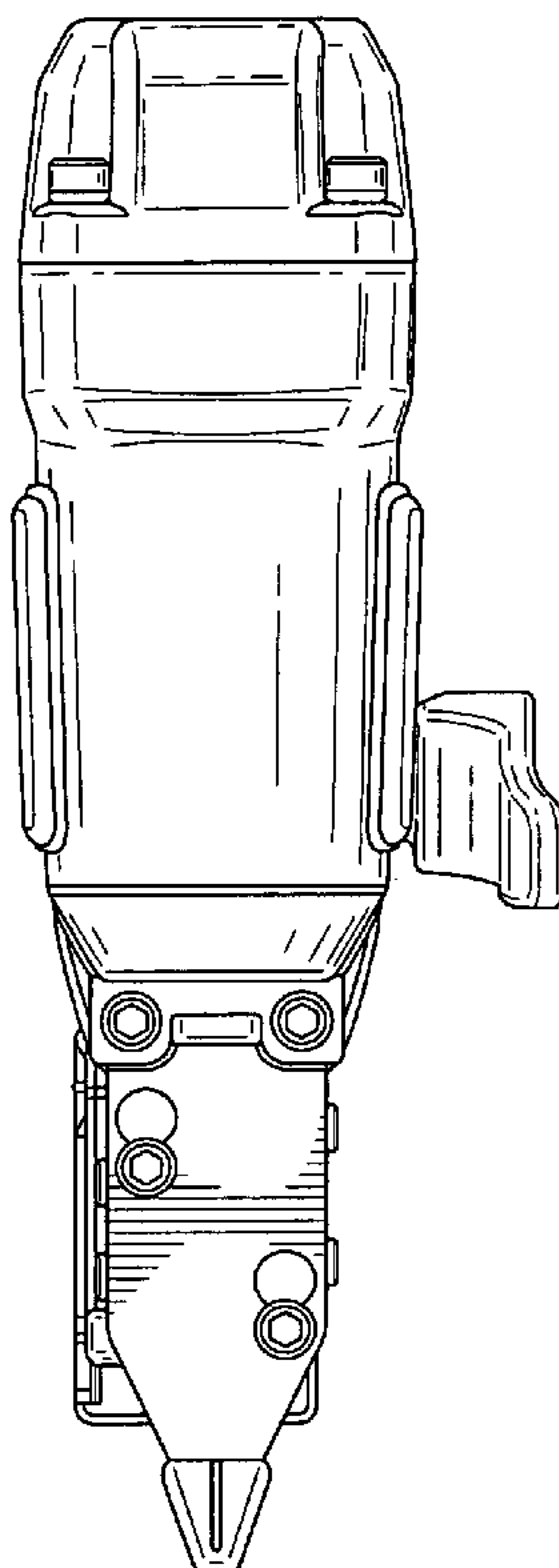
FIG. 6 is a top view thereof;

FIG. 7 is a front view thereof; and,

FIG. 8 is a rear view thereof.

The broken line showing of structural features is included for the purpose of illustrating non-claimed subject matter and forms no part of the claimed design.

1 Claim, 6 Drawing Sheets



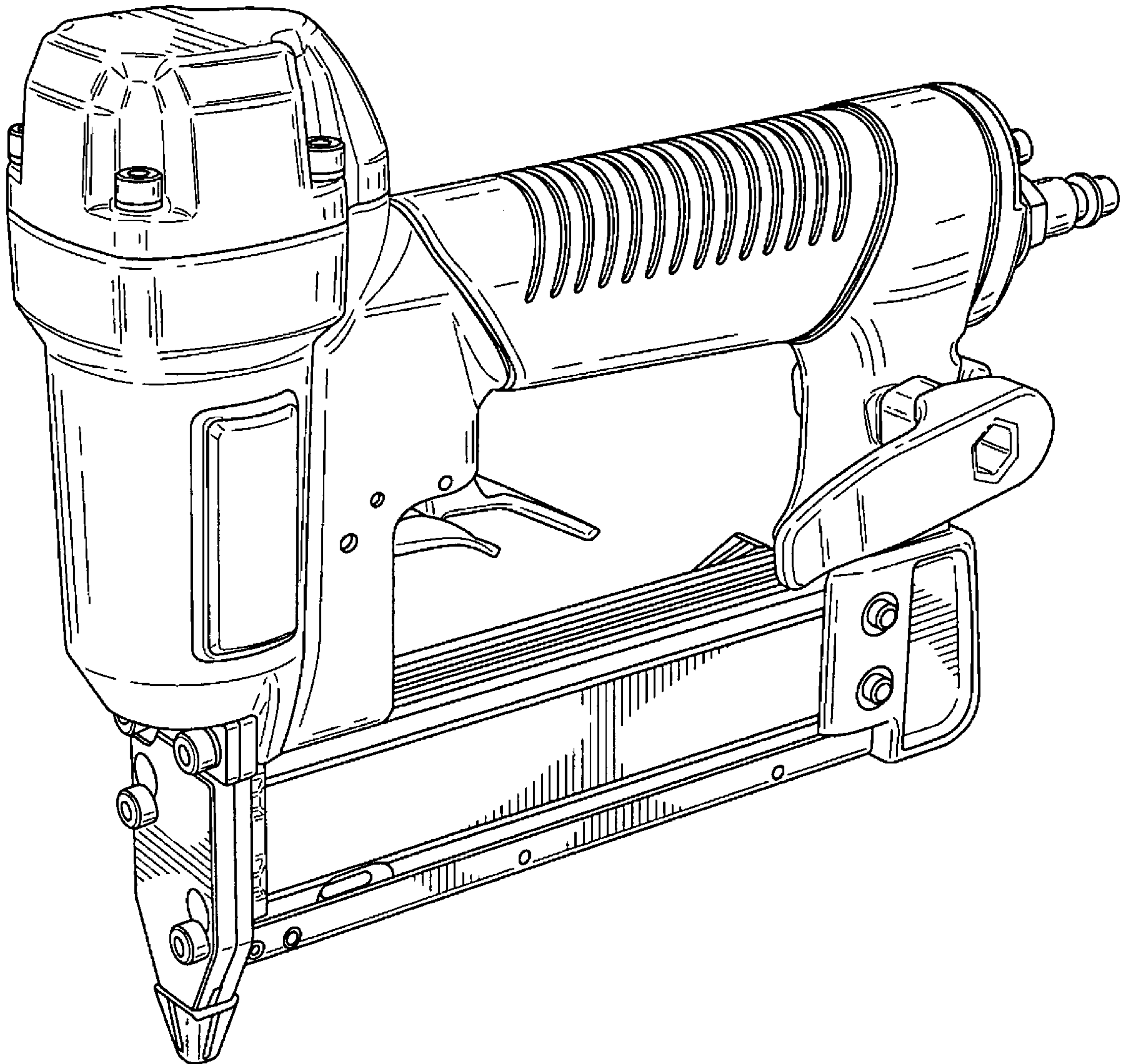


FIG. 1

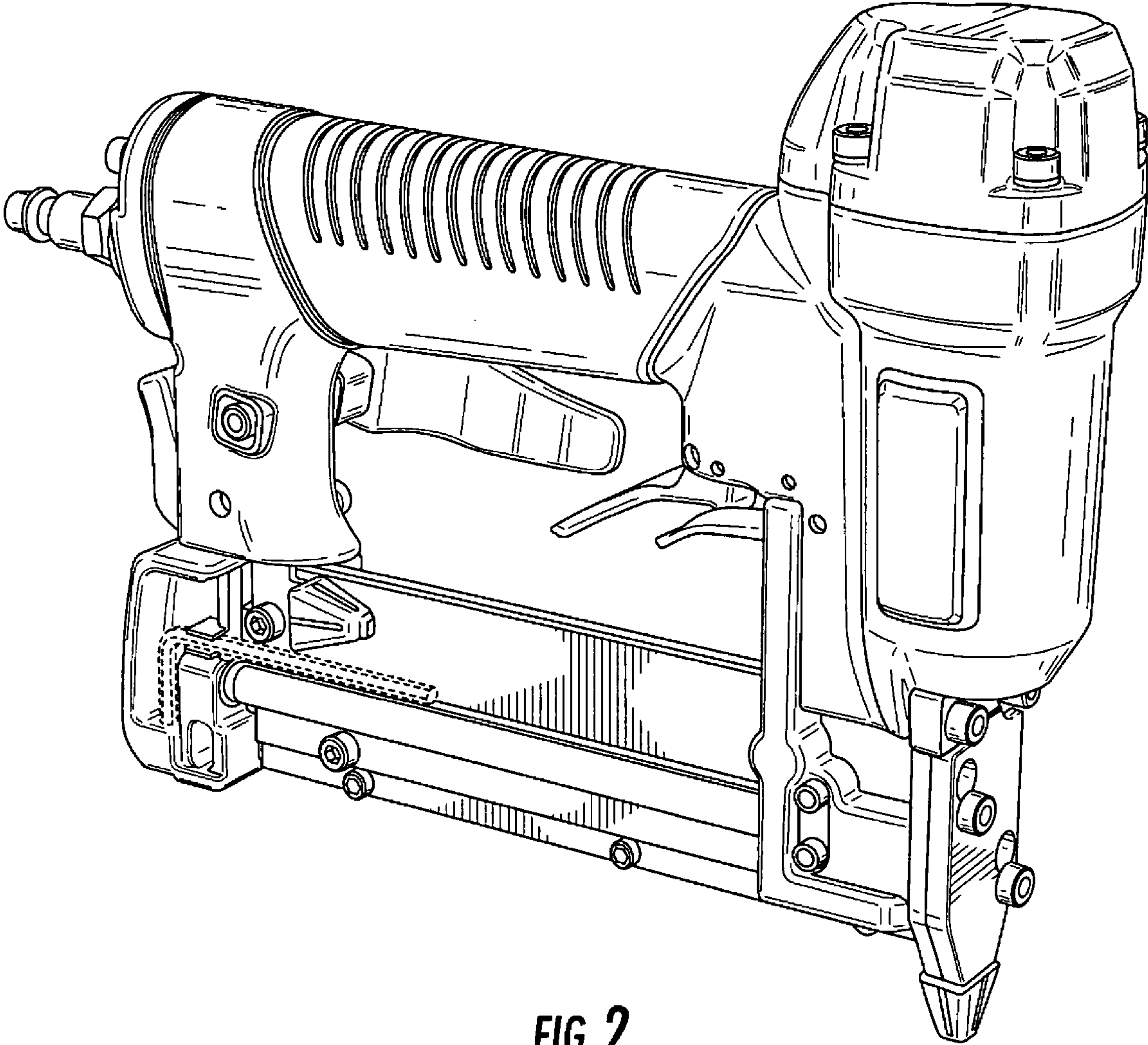


FIG. 2

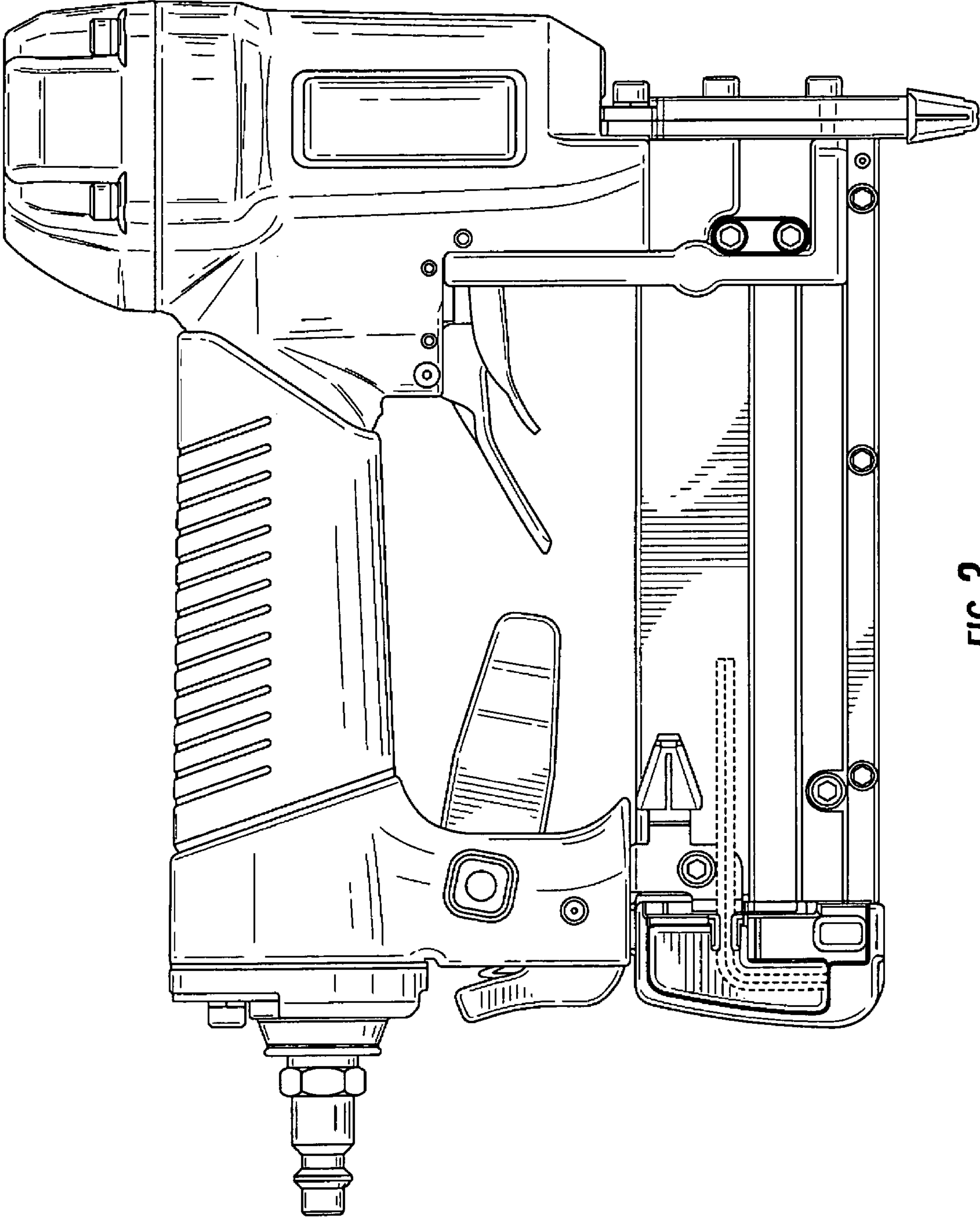


FIG. 3

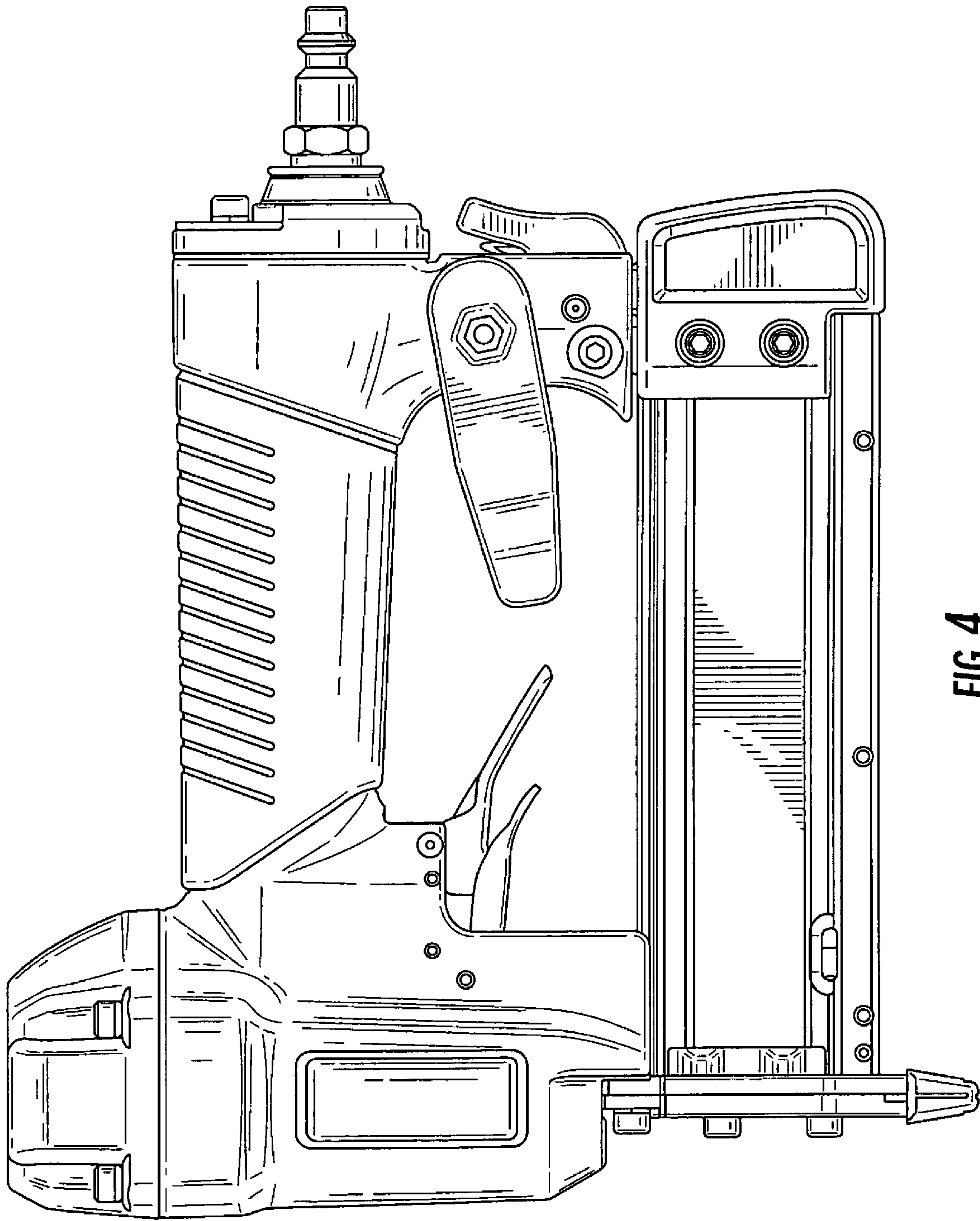


FIG. 4

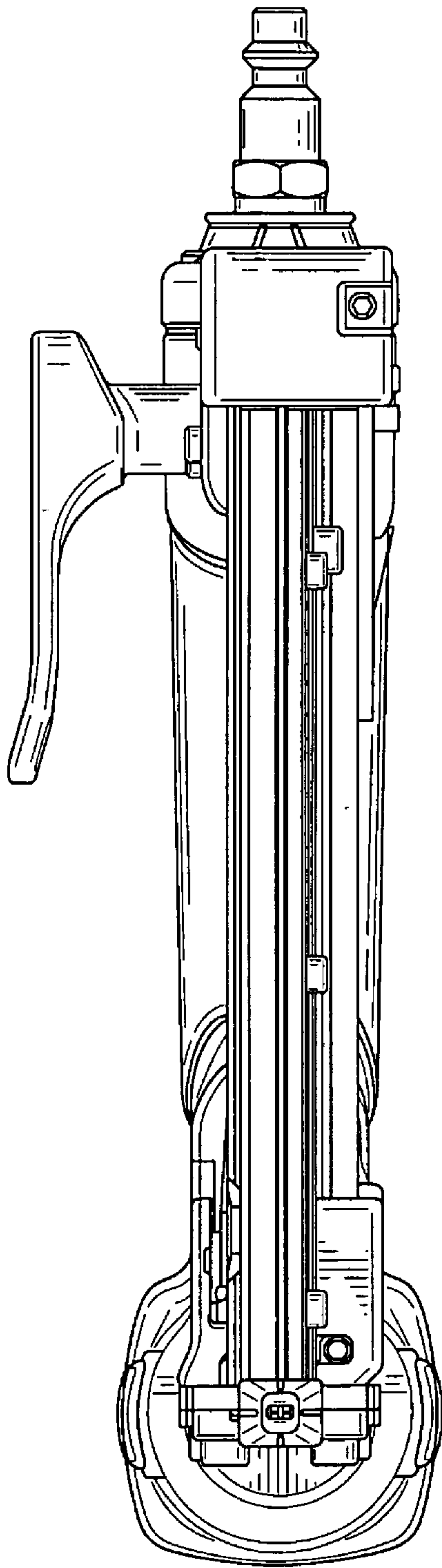


FIG. 5

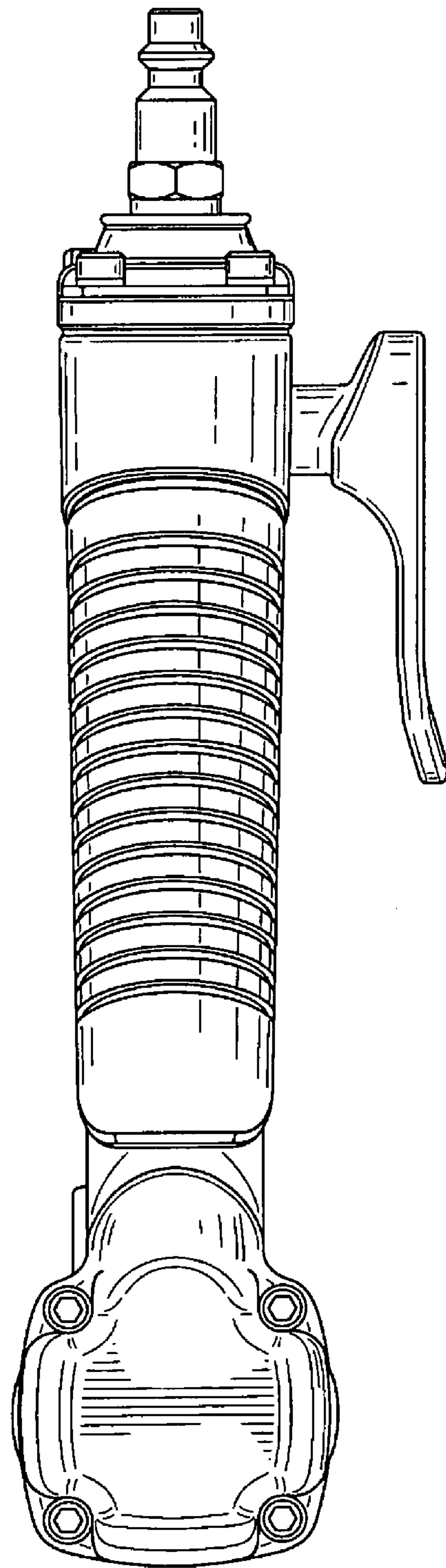


FIG. 6

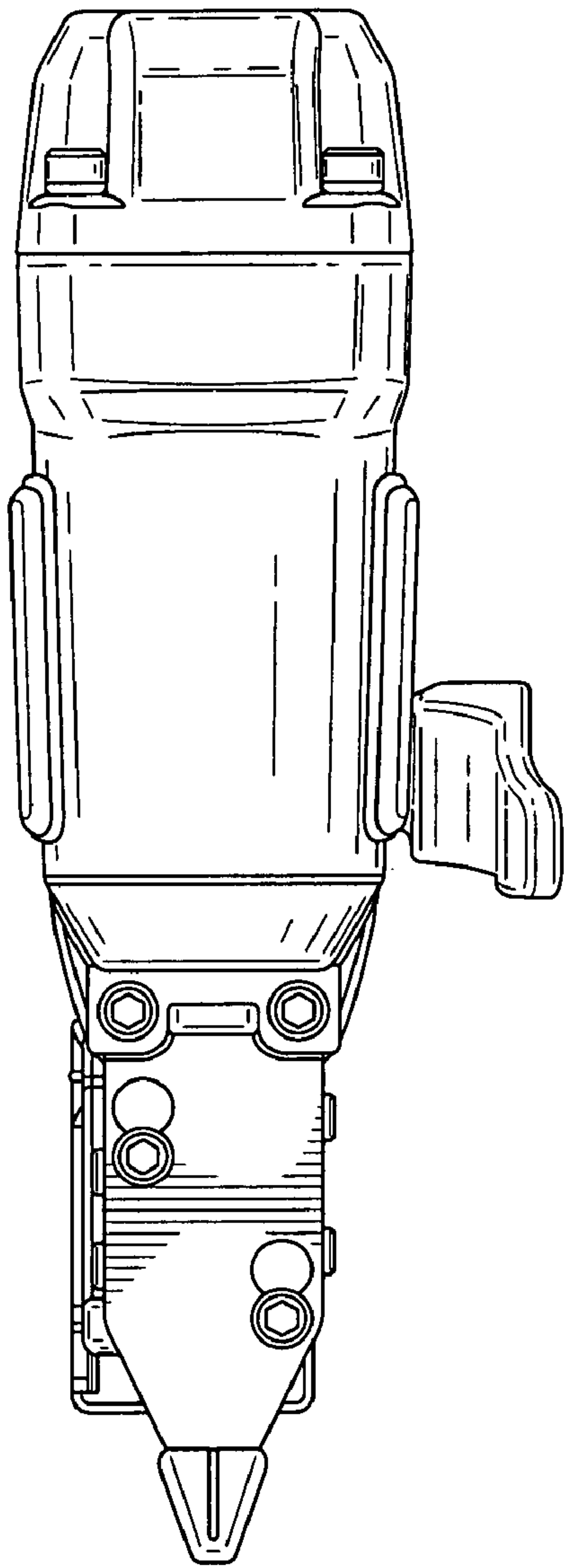


FIG. 7

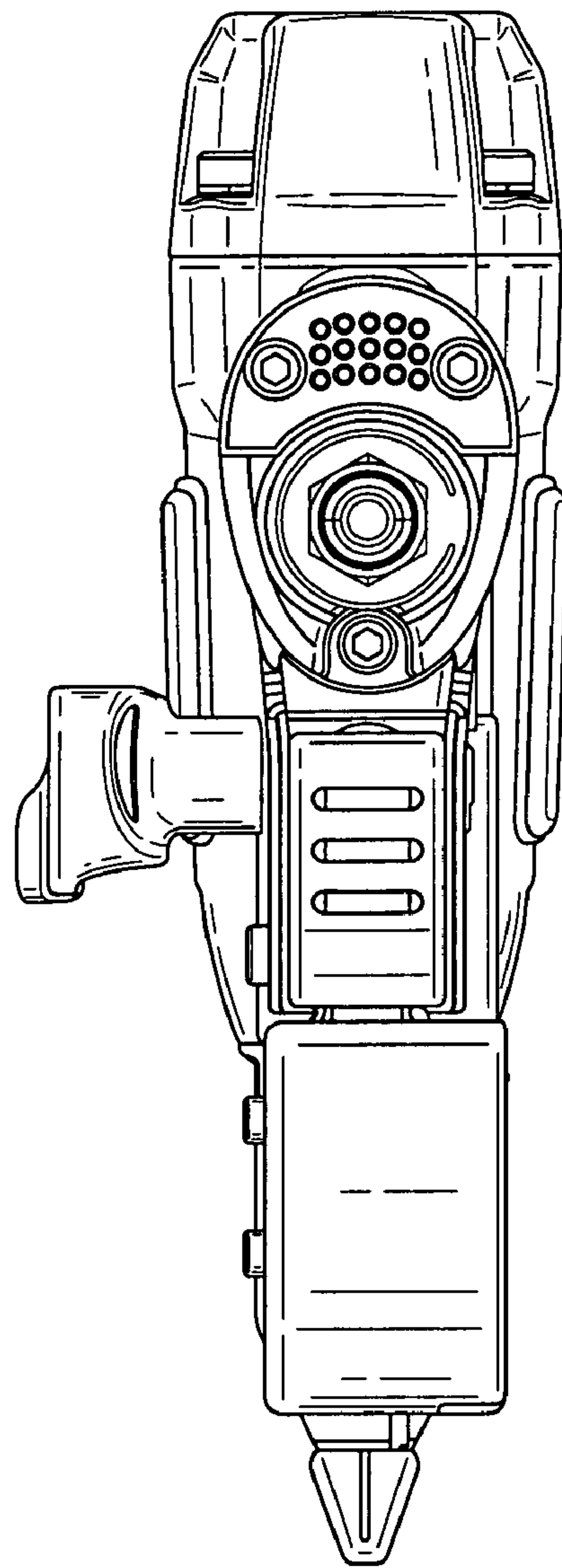


FIG. 8