



US00D633351S

(12) **United States Design Patent**
Welch

(10) **Patent No.:** **US D633,351 S**

(45) **Date of Patent:** **** Mar. 1, 2011**

(54) **TIKI HEAD SHAPED BOTTLE OPENER**

D611,790 S * 3/2010 Welch D8/38

(76) Inventor: **James Douglas Welch**, Austin, TX (US)

* cited by examiner

(**) Term: **14 Years**

Primary Examiner—Garth Rademaker

(74) *Attorney, Agent, or Firm*—David O. Simmons

(21) Appl. No.: **29/370,838**

(22) Filed: **Sep. 10, 2010**

(57) **CLAIM**

The ornamental design for a tiki head shaped bottle opener, as shown and described.

(51) **LOC (9) Cl.** **07-99**

(52) **U.S. Cl.** **D8/38; D8/18**

(58) **Field of Classification Search** D8/14,
D8/16–20, 33–43, 88, 89, 105; 7/113, 151–156;
30/400–410, 416–430, 433, 434, 443, 450;
81/3.07, 3.09, 3.2, 3.27, 3.29, 3.31, 3.35,
81/3.37, 3.4, 3.45, 3.48, 3.49, 3.55
See application file for complete search history.

DESCRIPTION

FIG. 1 is a front and side perspective view of a tiki head shaped bottle opener in accordance with the present invention;

FIG. 2 is a rear and side perspective view of the tiki head shaped bottle opener shown in FIG. 1;

FIG. 3 is a top view of the tiki head shaped bottle opener shown in FIG. 1;

FIG. 4 is a bottom view of the tiki head shaped bottle opener shown in FIG. 1; and,

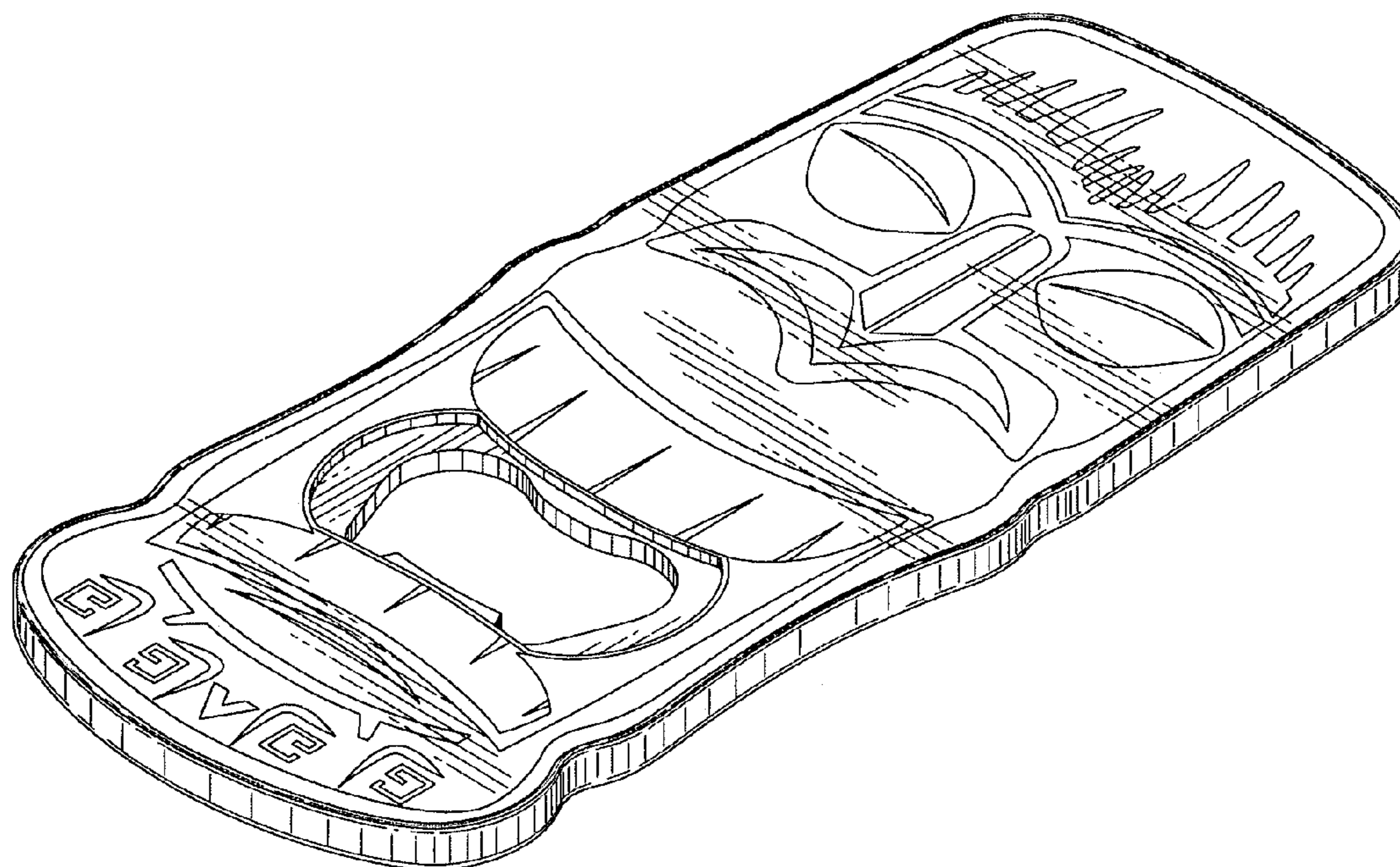
FIG. 5 is a left side view of the tiki head shaped bottle opener shown in FIG. 1, the right side being a mirror image thereof.

(56) **References Cited**

U.S. PATENT DOCUMENTS

D87,212 S *	6/1932	Halvorsen	D8/38
D453,454 S *	2/2002	Kelleghan	D8/38
D453,455 S *	2/2002	Kelleghan	D8/38
D488,974 S *	4/2004	Kelleghan	D8/38
D504,290 S *	4/2005	Lockhart	D8/38
D517,419 S *	3/2006	Kelleghan	D9/616

1 Claim, 3 Drawing Sheets



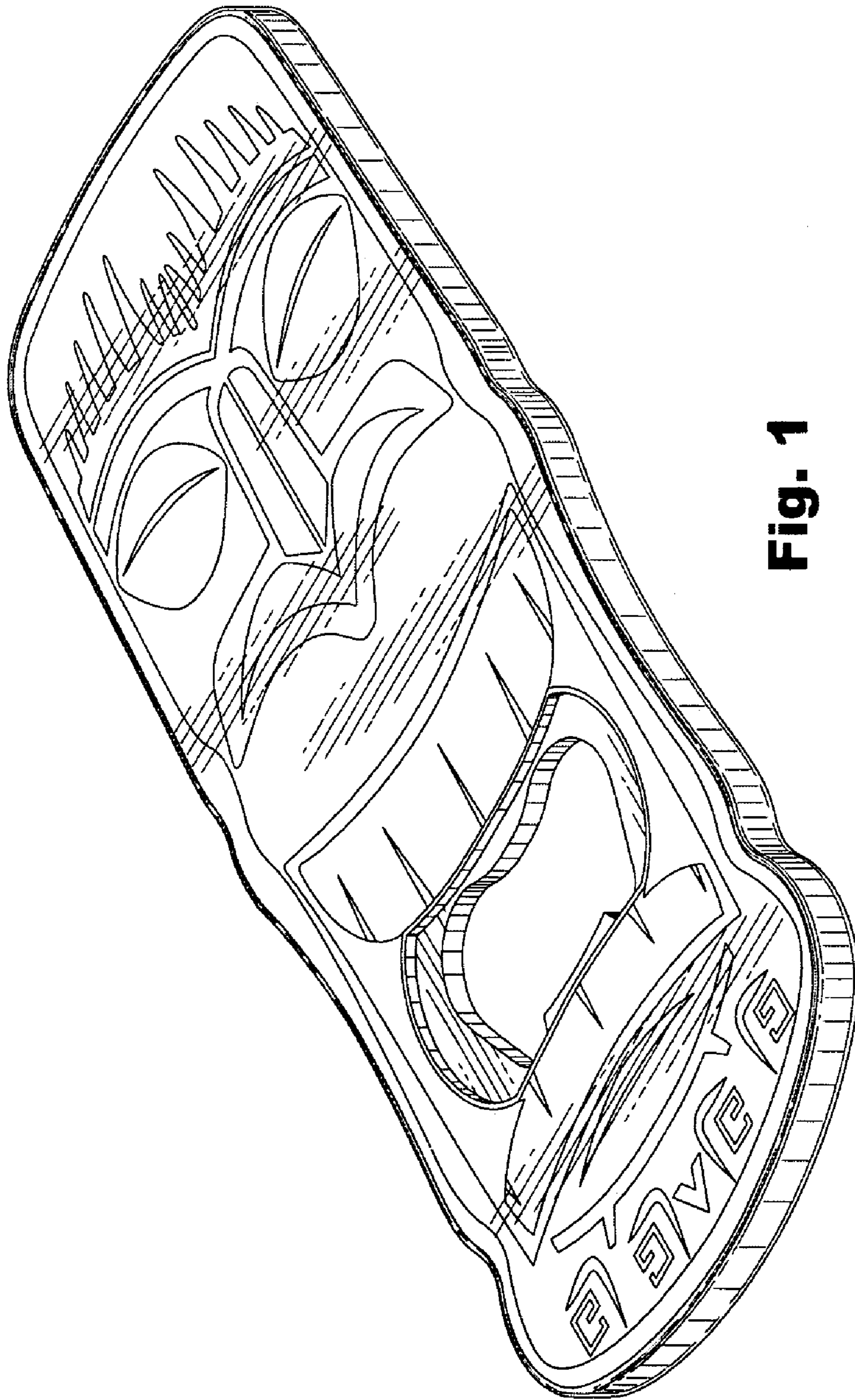


Fig. 1

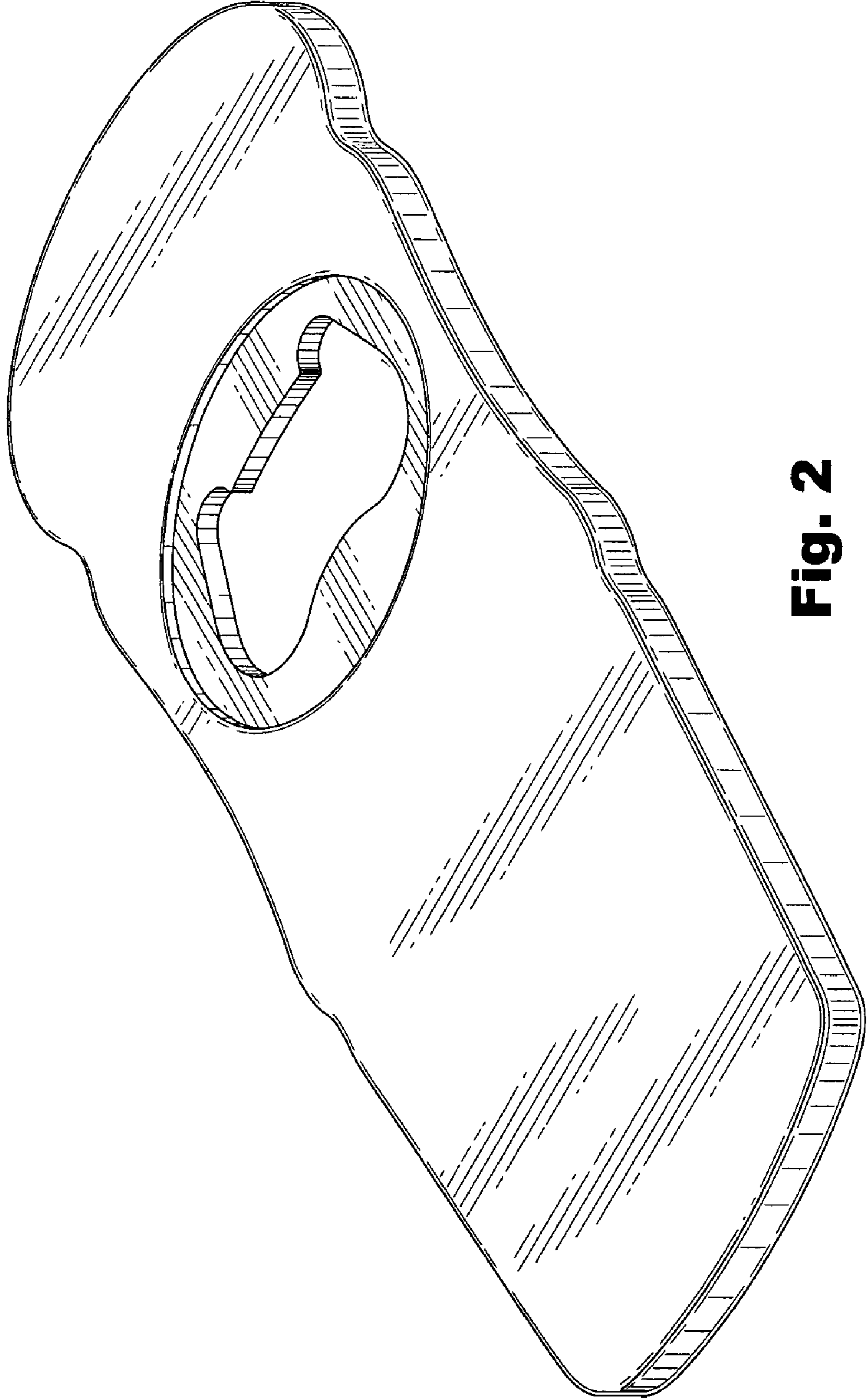


Fig. 2

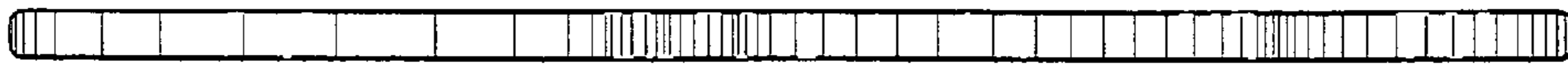


Fig. 5

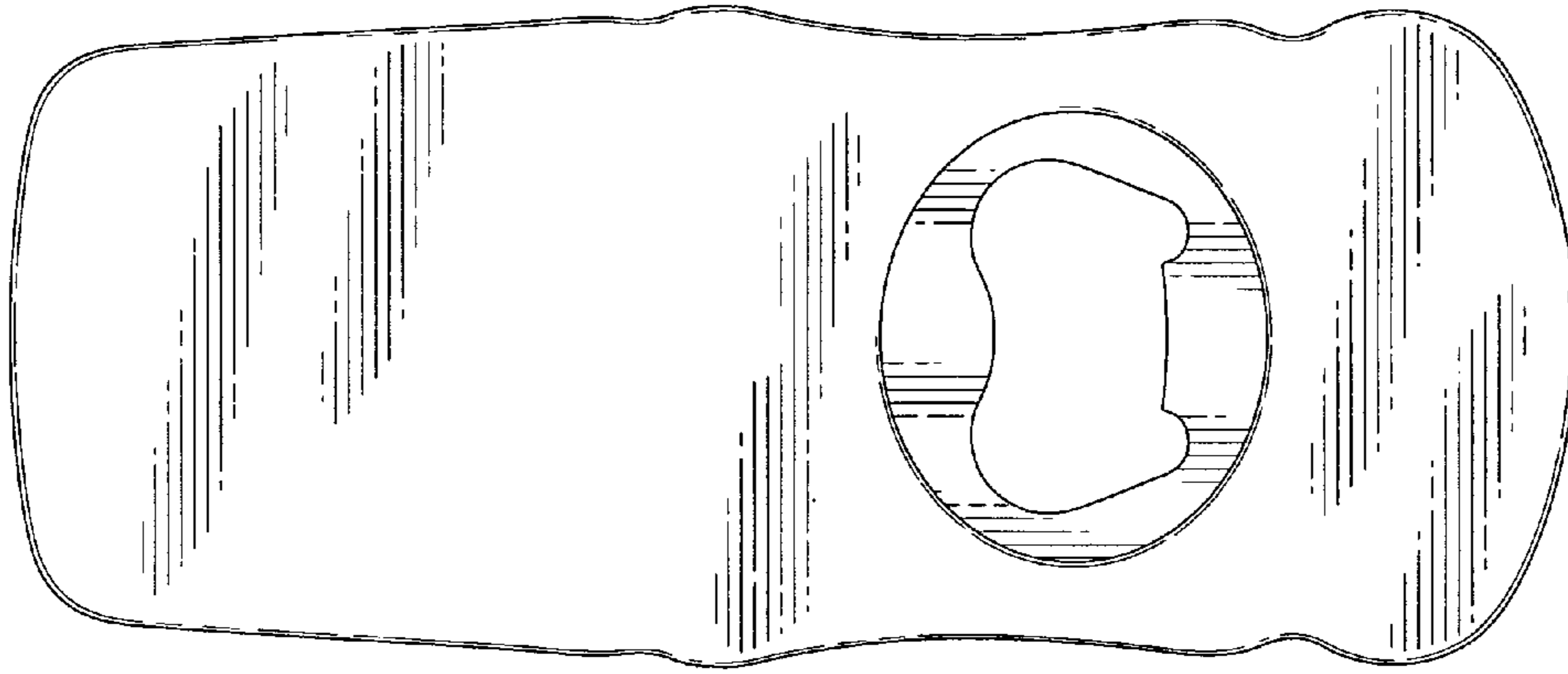


Fig. 4

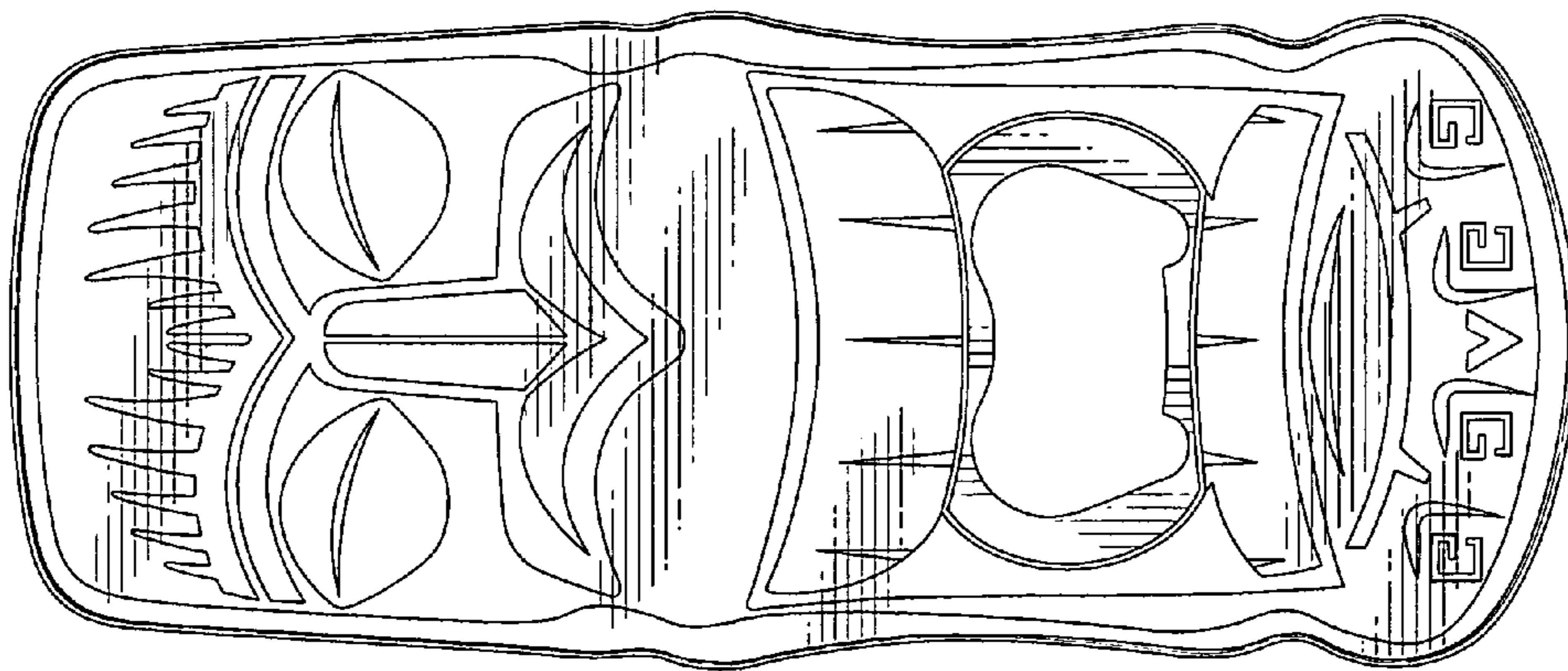


Fig. 3