



US00D633345S

(12) **United States Design Patent**
Ranieri

(10) **Patent No.:** **US D633,345 S**
(45) **Date of Patent:** **** Mar. 1, 2011**

(54) **KNIFE HANDLE**

(75) Inventor: **Laura A. Ranieri**, Palatine, IL (US)

(73) Assignee: **WKI Holding Company, Inc.**,
Rosemont, IL (US)

(**) Term: **14 Years**

(21) Appl. No.: **29/242,374**

(22) Filed: **Nov. 9, 2005**

(51) **LOC (9) Cl.** **07-03**

(52) **U.S. Cl.** **D7/649**

(58) **Field of Classification Search** D7/393,
D7/395, 401.2, 642, 645, 649, 650, 652, 653,
D7/662-664; D8/75, 80, 83, 87, 98, 99,
D8/102, 107, 300, 303; 30/142, 346, 147-150,
30/329, 340, 342-345; D22/117, 118
See application file for complete search history.

(56) **References Cited**

U.S. PATENT DOCUMENTS

- 1,754,543 A 4/1930 Callum
- 1,989,225 A 1/1935 Campbell
- 2,037,943 A 4/1936 Stiehl et al.
- 2,423,640 A 7/1947 Dally
- 2,520,355 A 8/1950 Bell
- 2,658,272 A 11/1953 Lillard
- D192,916 S * 5/1962 Zorn D7/649
- D230,940 S * 3/1974 Lamb D7/649
- D246,282 S 11/1977 Jackson
- 4,067,947 A 1/1978 Miori
- D250,082 S 10/1978 Breger
- D250,567 S 12/1978 Breger
- D256,983 S 9/1980 Fogle
- D259,697 S 6/1981 Brizzolara, Jr.
- D260,071 S 8/1981 Weber
- D274,399 S 6/1984 Olsen, Jr.
- D277,536 S 2/1985 Baer
- D283,001 S 3/1986 Pashley et al.
- 4,578,864 A 4/1986 Hoffman
- D283,968 S 5/1986 Marquis
- D284,537 S 7/1986 Pashley et al.

- D286,314 S 10/1986 Sawa
- D286,491 S 11/1986 Levin
- D286,974 S 12/1986 Veverka
- D289,357 S 4/1987 Bodfish
- D291,171 S 8/1987 Ygfors
- D293,202 S 12/1987 West et al.

(Continued)

FOREIGN PATENT DOCUMENTS

WO DM/062186 * 12/2002

OTHER PUBLICATIONS

ZWilling J. A. Henckels USA Company Website, Twin Signature Knives Series, <http://usa.zwilling.com/products/twin/knives/twinsignature/>.*

Primary Examiner—Ricky Pham
(74) *Attorney, Agent, or Firm*—McDermott Will & Emery LLP

(57) **CLAIM**

What is claimed is the ornamental design for a knife handle, as shown and described.

DESCRIPTION

FIG. 1 is a perspective view of a knife handle according to the new design;

FIG. 2 is a front view of the knife handle shown in FIG. 1, the rear view being identical thereto;

FIG. 3 is a top view of the knife handle shown in FIG. 1;

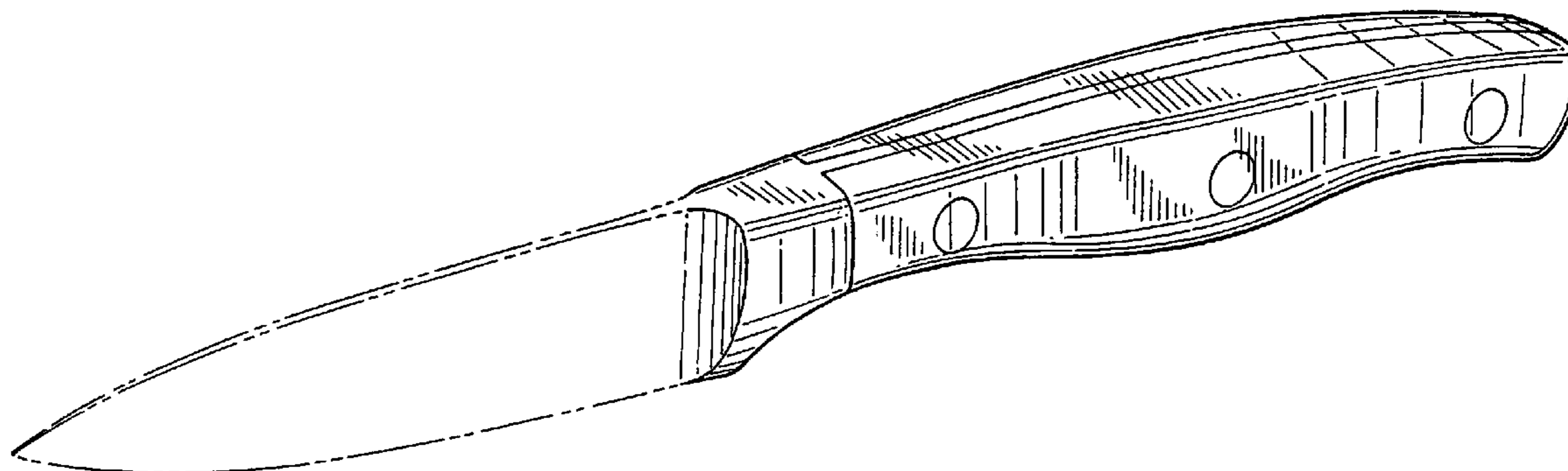
FIG. 4 is a bottom view of the knife handle shown in FIG. 1;

FIG. 5 is a left side elevation view of the knife handle shown in FIG. 1; and,

FIG. 6 is a right side elevation view of the knife handle shown in FIG. 1.

Features shown in broken lines form no part of the claimed design.

1 Claim, 2 Drawing Sheets



US D633,345 S

Page 2

| U.S. PATENT DOCUMENTS | | | | | | |
|-----------------------|----------|-------------------------|--------------|---|---------|-----------------------------|
| | | | D407,267 S | * | 3/1999 | Juhlin et al. D7/401.2 |
| | | | D407,603 S | | 4/1999 | Cohen et al. |
| | | | D407,961 S | | 4/1999 | Balolia |
| | | | D408,218 S | | 4/1999 | Thomas |
| | | | D408,705 S | | 4/1999 | Elishewitz |
| | | | D410,186 S | | 5/1999 | Balolia |
| | | | D410,187 S | | 5/1999 | Balolia |
| | | | D411,431 S | | 6/1999 | Glesser |
| | | | D411,785 S | | 7/1999 | Uemura et al. |
| | | | D413,232 S | | 8/1999 | Conner |
| | | | D414,989 S | | 10/1999 | Shamoon |
| | | | D418,733 S | | 1/2000 | Lynn et al. |
| | | | D421,378 S | | 3/2000 | Glesser |
| | | | D422,877 S | | 4/2000 | Elishewitz |
| | | | D424,380 S | | 5/2000 | McCatty |
| | | | D424,886 S | | 5/2000 | Fierus |
| | | | D425,365 S | * | 5/2000 | Chien D7/401.2 |
| | | | D428,789 S | | 8/2000 | McHenry et al. |
| | | | D429,971 S | | 8/2000 | Petrie et al. |
| | | | D435,199 S | | 12/2000 | Cohen et al. |
| | | | D436,801 S | | 1/2001 | Wonderley |
| | | | D439,495 S | | 3/2001 | McCalla et al. |
| | | | D442,461 S | | 5/2001 | Glesser |
| | | | D445,313 S | | 7/2001 | Jorge |
| | | | D446,689 S | | 8/2001 | Van Leeuwen |
| | | | D447,925 S | | 9/2001 | Osborne |
| | | | D449,771 S | | 10/2001 | Douglas et al. |
| | | | D450,557 S | | 11/2001 | McCalla et al. |
| | | | D452,129 S | | 12/2001 | McCalla et al. |
| | | | D454,769 S | | 3/2002 | Gardiner et al. |
| | | | D458,510 S | * | 6/2002 | Haataja D7/395 |
| | | | D458,511 S | | 6/2002 | Rorke |
| | | | D461,104 S | | 8/2002 | Hasegawa |
| | | | D462,581 S | | 9/2002 | Parlowski |
| | | | D462,582 S | | 9/2002 | Parlowski |
| | | | D464,246 S | | 10/2002 | Sloan |
| | | | D467,783 S | | 12/2002 | Onion |
| | | | D469,666 S | | 2/2003 | Chen |
| | | | D473,430 S | * | 4/2003 | Fedor et al. D7/649 |
| | | | 6,625,890 B2 | * | 9/2003 | Hufnagel et al. 30/344 |
| | | | D483,643 S | * | 12/2003 | Chien D8/107 |
| | | | D484,009 S | | 12/2003 | Shing |
| | | | D488,697 S | | 4/2004 | Rae |
| | | | D492,179 S | | 6/2004 | Hernandez et al. |
| | | | D494,440 S | | 8/2004 | Carter, III |
| | | | D497,523 S | * | 10/2004 | Chen D7/650 |
| | | | D502,363 S | | 3/2005 | Salazar |
| | | | D513,927 S | * | 1/2006 | Chen D7/395 |
| | | | D524,121 S | * | 7/2006 | Loeb D7/649 |
| 4,712,304 A | 12/1987 | Sanelli | | | | |
| D296,297 S | 6/1988 | Weimann et al. | | | | |
| D298,399 S | 11/1988 | Blochlinger et al. | | | | |
| D298,503 S | 11/1988 | McCullough | | | | |
| 4,885,818 A | 12/1989 | Arterbury | | | | |
| D306,813 S | 3/1990 | Naft et al. | | | | |
| D310,475 S | 9/1990 | Weimann | | | | |
| D311,675 S | 10/1990 | Wilson et al. | | | | |
| D311,854 S | 11/1990 | Wilson et al. | | | | |
| D312,192 S | 11/1990 | Barrault | | | | |
| D319,378 S | 8/1991 | Wilcox | | | | |
| D323,448 S | 1/1992 | Salviato | | | | |
| 5,081,770 A | * 1/1992 | Fierthaler 30/355 | | | | |
| D324,326 S | * 3/1992 | Lu D7/650 | | | | |
| D333,251 S | 2/1993 | Glesser | | | | |
| D337,022 S | 7/1993 | Sheets | | | | |
| D347,145 S | 5/1994 | Neshat et al. | | | | |
| D348,184 S | 6/1994 | Neshat et al. | | | | |
| D352,881 S | 11/1994 | Schmidt | | | | |
| D352,882 S | 11/1994 | Schmidt | | | | |
| D353,299 S | 12/1994 | Beltrami, Sr. | | | | |
| D353,529 S | 12/1994 | Runyon | | | | |
| D354,667 S | 1/1995 | Rundell | | | | |
| D354,881 S | 1/1995 | Huff | | | | |
| D360,817 S | 8/1995 | Moyer, Jr. et al. | | | | |
| D366,185 S | 1/1996 | Lie | | | | |
| D371,060 S | 6/1996 | Lai | | | | |
| D371,289 S | 7/1996 | Huang | | | | |
| D372,635 S | 8/1996 | Gebhardt | | | | |
| D372,648 S | 8/1996 | Cohen et al. | | | | |
| D373,288 S | 9/1996 | Cohen et al. | | | | |
| D373,289 S | 9/1996 | Gebhardt | | | | |
| D373,716 S | 9/1996 | Keys et al. | | | | |
| D375,243 S | 11/1996 | Hasegawa | | | | |
| D376,743 S | 12/1996 | Seber et al. | | | | |
| D377,443 S | 1/1997 | Seber et al. | | | | |
| D383,370 S | 9/1997 | Chen et al. | | | | |
| D388,285 S | 12/1997 | Neshat | | | | |
| D389,014 S | 1/1998 | Hasegawa | | | | |
| D392,539 S | 3/1998 | Balolia | | | | |
| D392,870 S | 3/1998 | Balolia | | | | |
| D397,018 S | 8/1998 | Mosley | | | | |
| D397,020 S | 8/1998 | Pardue | | | | |
| 5,791,055 A | 8/1998 | Mangol | | | | |
| D399,113 S | 10/1998 | Balolia | | | | |
| D400,059 S | 10/1998 | Cohen et al. | | | | |
| D402,178 S | 12/1998 | Glesser | | | | |
| D402,856 S | 12/1998 | Cohen et al. | | | | |
| D405,677 S | 2/1999 | Mosley | | | | |

* cited by examiner

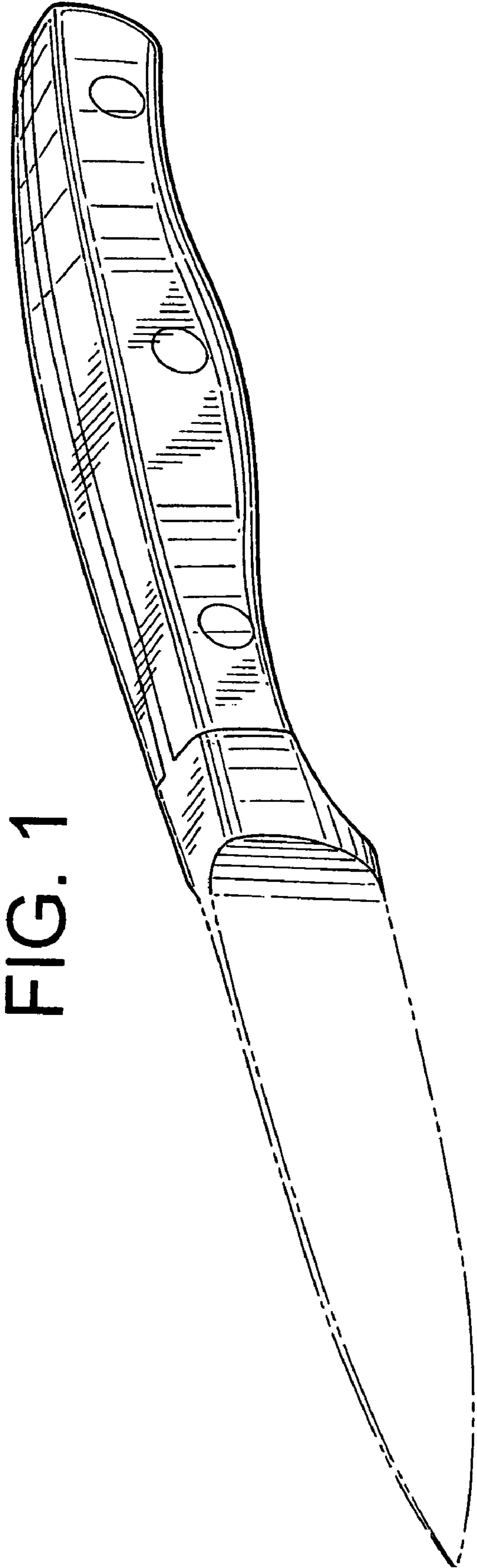


FIG. 1

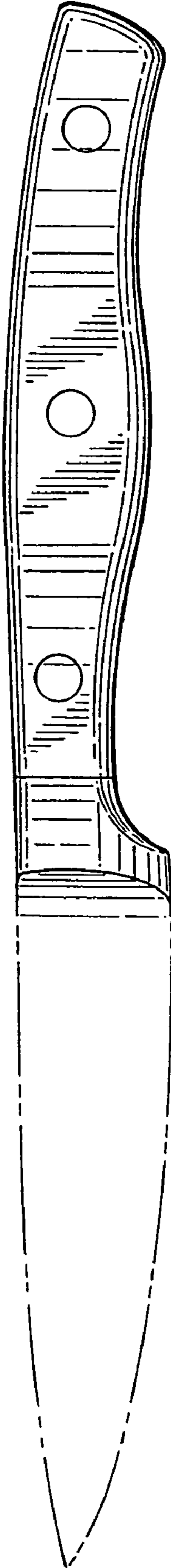


FIG. 2

FIG. 3

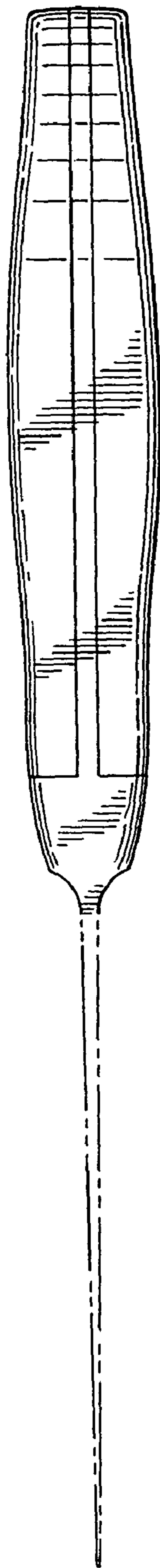


FIG. 4

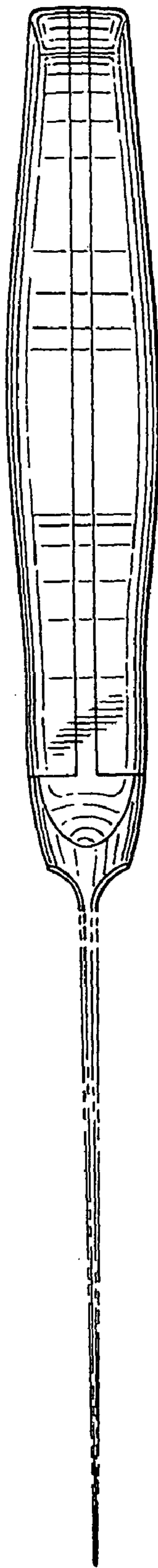


FIG. 6

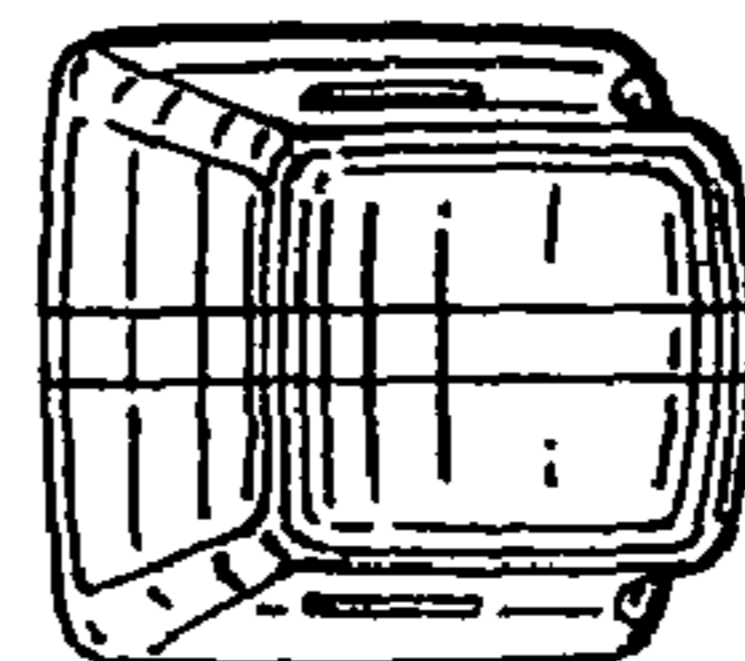


FIG. 5

