



US00D633340S

(12) **United States Design Patent**
Roberts

(10) **Patent No.:** **US D633,340 S**
(45) **Date of Patent:** **** Mar. 1, 2011**

(54) **CONTAINER WITH SPIRAL SHAPED INTERIOR**

D587,406 S * 2/2009 Ruiz D28/61
D587,971 S 3/2009 Peabody et al.
D618,511 S * 6/2010 Lugacy D7/546

(76) Inventor: **Michael Roberts**, Corona Del Mar, CA
(US)

FOREIGN PATENT DOCUMENTS

WO WO 99/48409 9/1999

(**) Term: **14 Years**

* cited by examiner

(21) Appl. No.: **29/360,027**

Primary Examiner—Cynthia Underwood
(74) *Attorney, Agent, or Firm*—Matt Mushet

(22) Filed: **Apr. 19, 2010**

(57) **CLAIM**

(51) **LOC (9) Cl.** **07-01**
(52) **U.S. Cl.** **D7/549; D7/586; D7/555**
(58) **Field of Classification Search** D7/500,
D7/547, 586, 543, 545, 546, 548–551, 553–557,
D7/701, 354; 206/561, 564; D9/341–348;
D28/61, 73; D30/130; 220/500–507; 366/130
See application file for complete search history.

What is claimed is, the ornamental design for a container with spiral shaped interior, as shown and described.

DESCRIPTION

(56) **References Cited**

U.S. PATENT DOCUMENTS

766,427 A * 8/1904 Crowl 220/575
1,379,519 A * 5/1921 Bjornsen 220/575
4,351,444 A * 9/1982 Majewski 220/575
D283,096 S 3/1986 Uhrii
5,172,826 A * 12/1992 Celaya 220/574
5,341,953 A * 8/1994 Forester 220/575
D367,587 S 3/1996 Perlmutter et al.
D386,358 S * 11/1997 Pfeilsticker D7/555
D390,419 S * 2/1998 Perlmutter et al. D7/555
D444,034 S * 6/2001 Miller et al. D7/546
D473,758 S * 4/2003 Wilson D7/587
D546,630 S * 7/2007 Asner D7/587
D564,844 S * 3/2008 Schreiber-Pethan et al. .. D7/586

FIG. 1 illustrates a top perspective view of the present invention.

FIG. 2 illustrates a front perspective view of the present invention.

FIG. 3 illustrates a rear perspective view of the present invention.

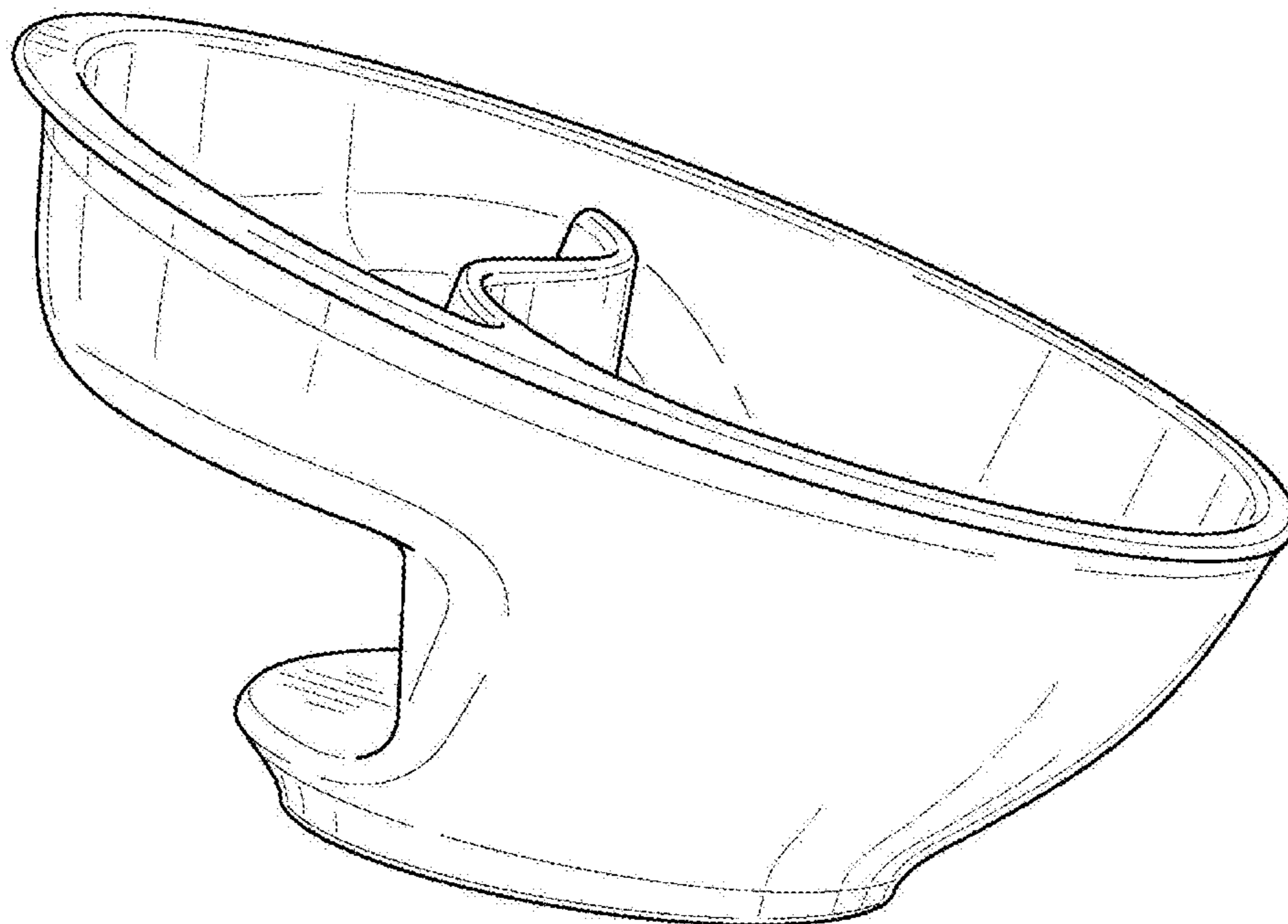
FIG. 4 illustrates a right side elevation view of the present invention.

FIG. 5 illustrates a left side elevation view of the present invention.

FIG. 6 illustrates a top plan view of the present invention; and,
FIG. 7 illustrates a bottom plan view of the present invention.

The broken lines represent portions of the structure that form no part of the claim.

1 Claim, 7 Drawing Sheets



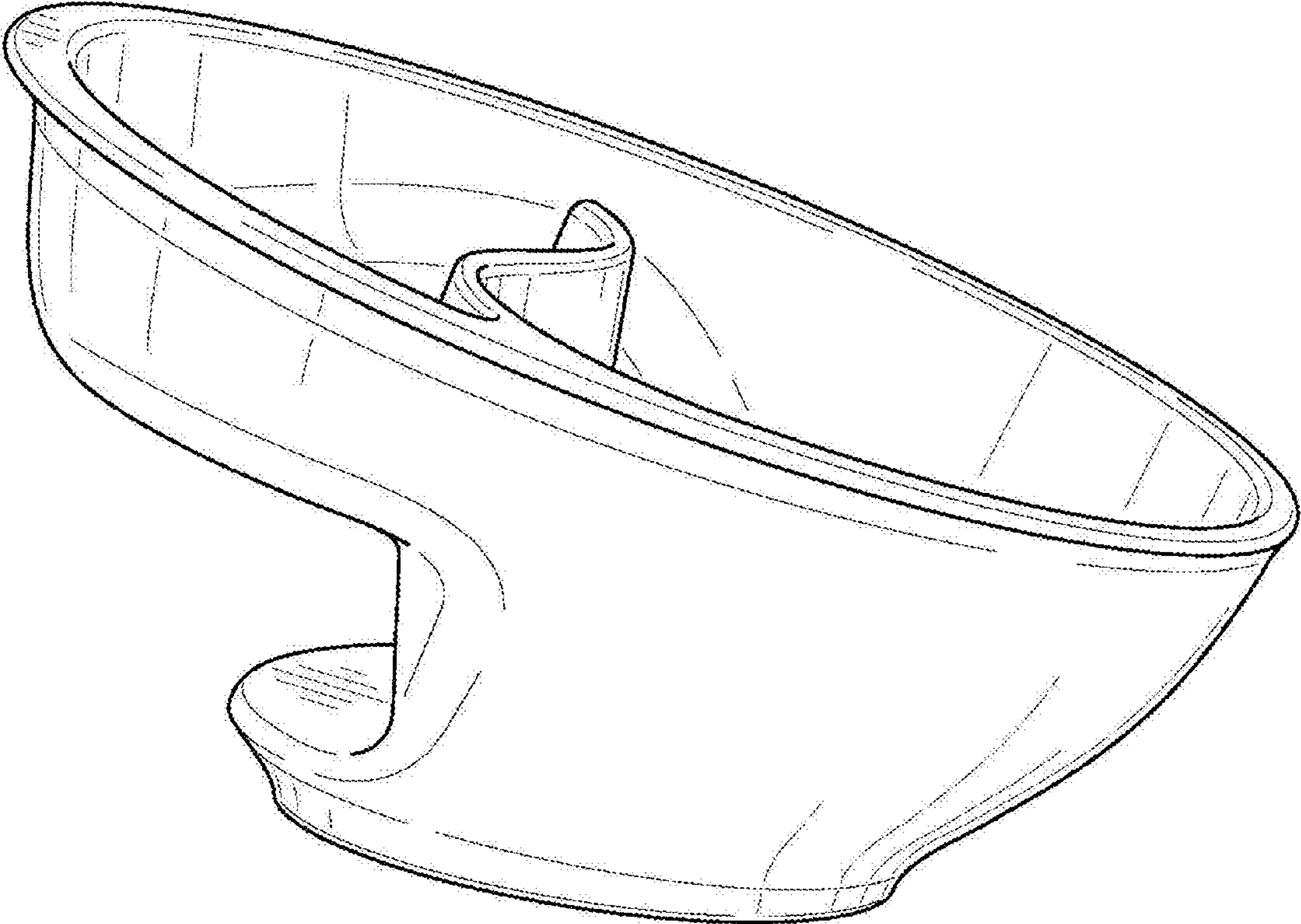


FIG. 1

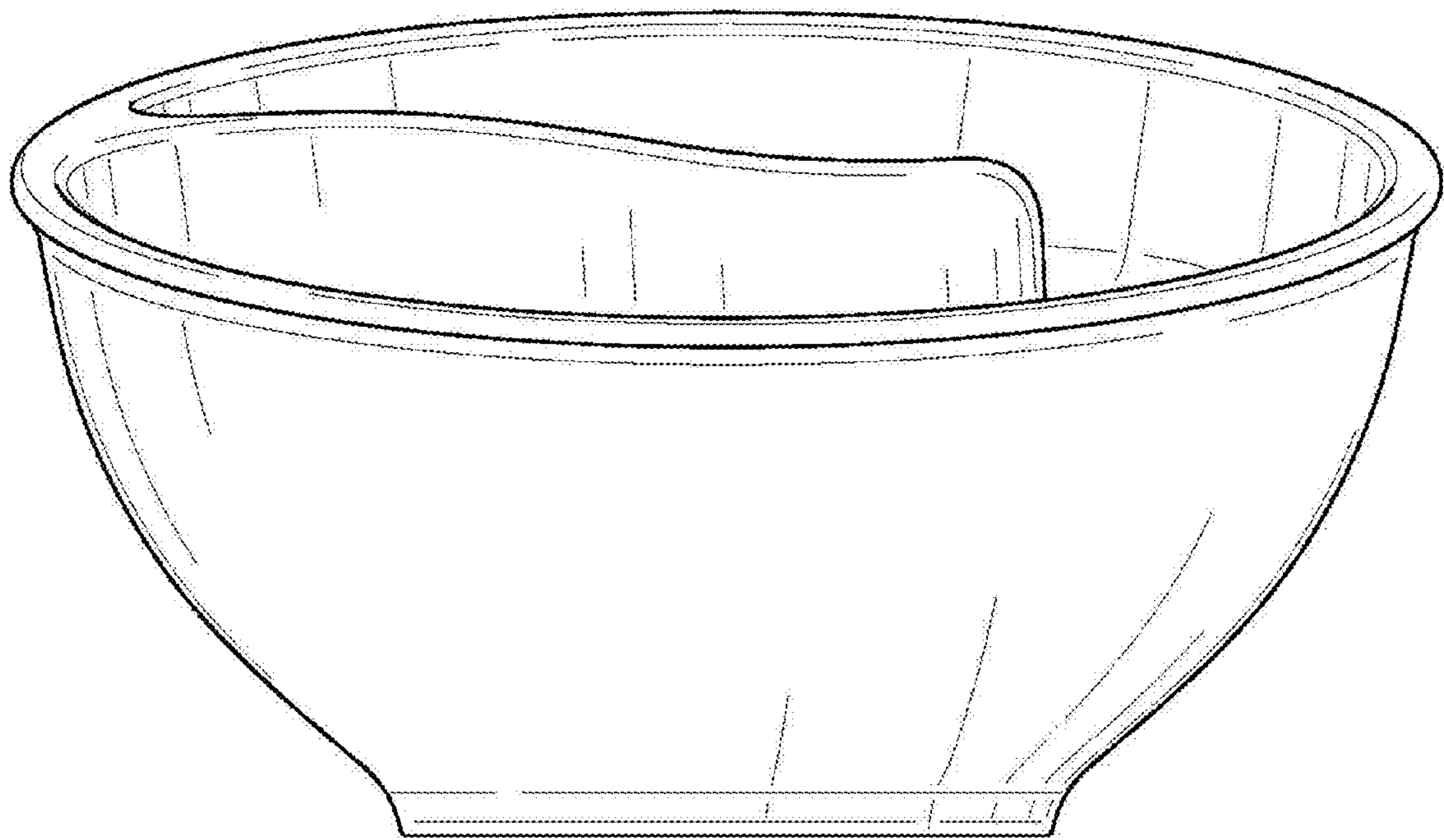


FIG. 2

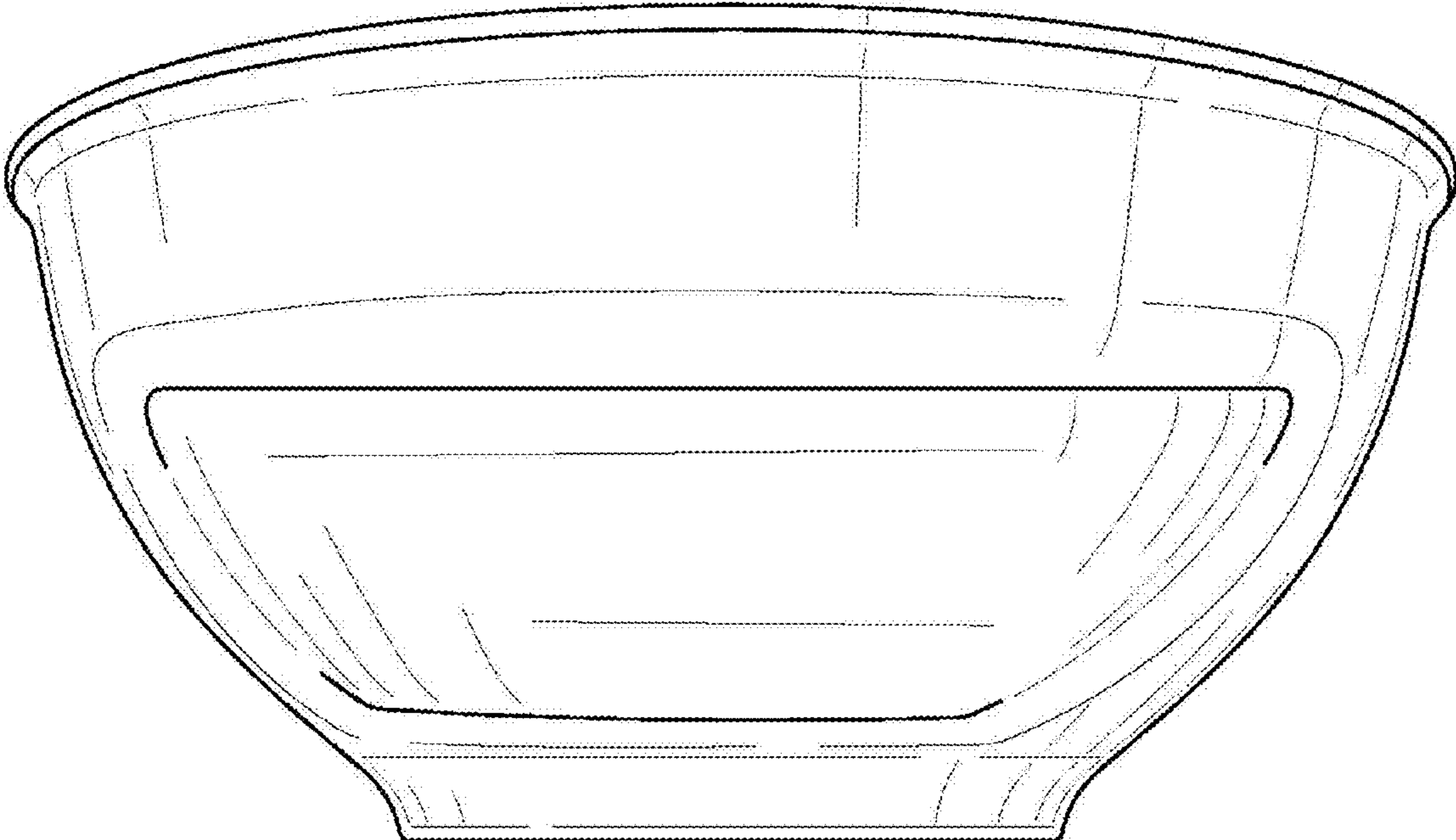


FIG. 3

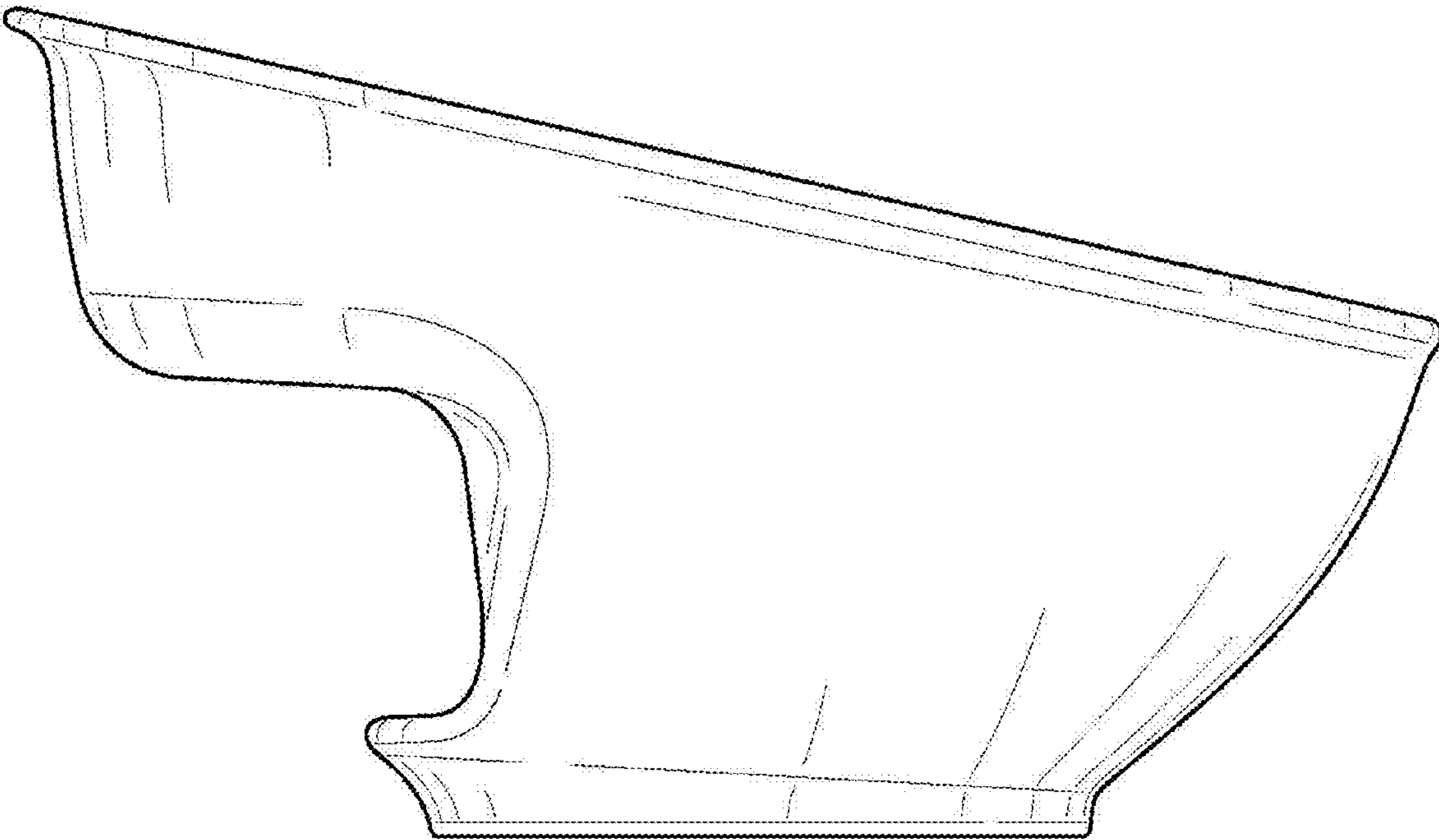


FIG. 4

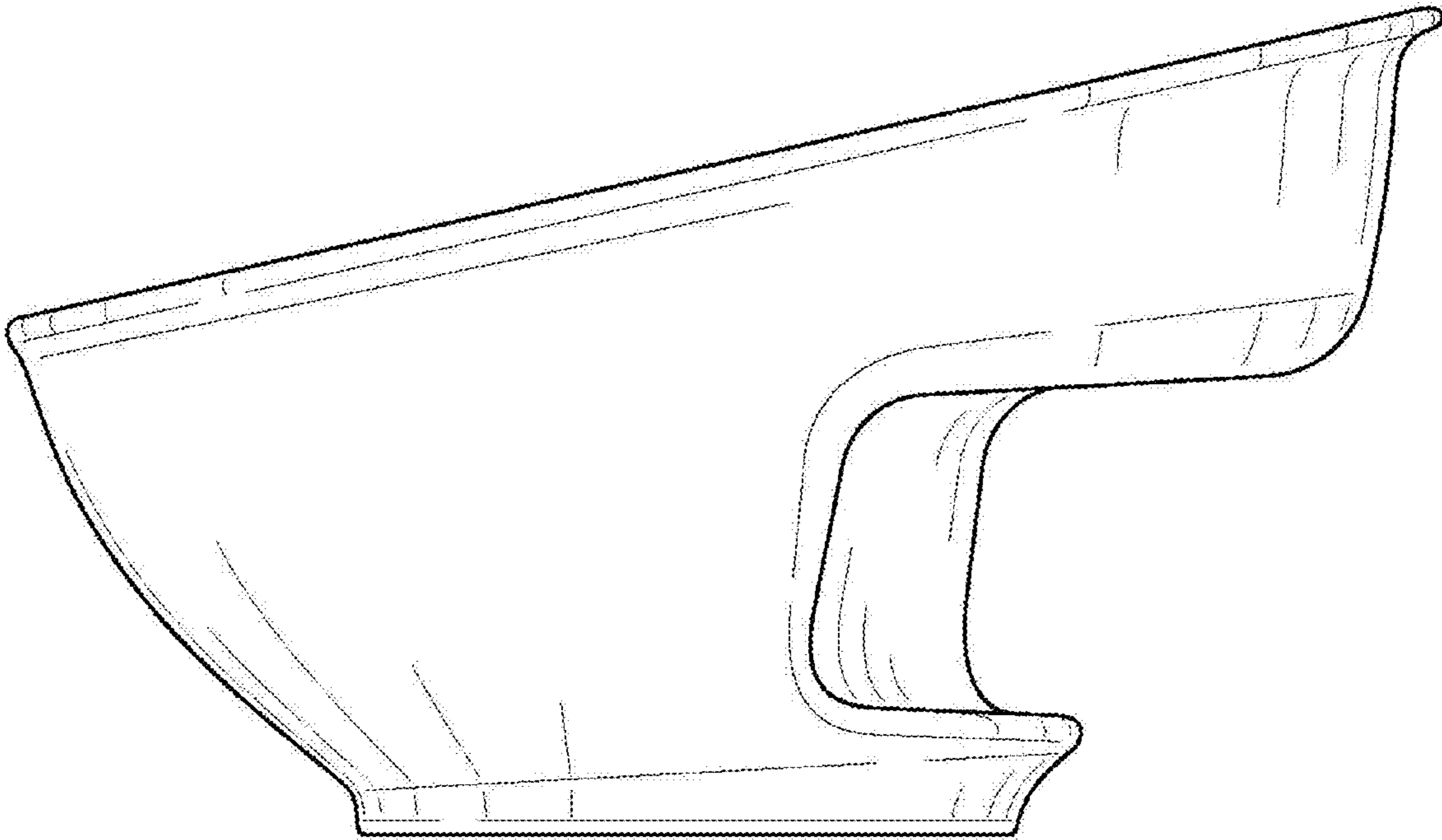


FIG. 5

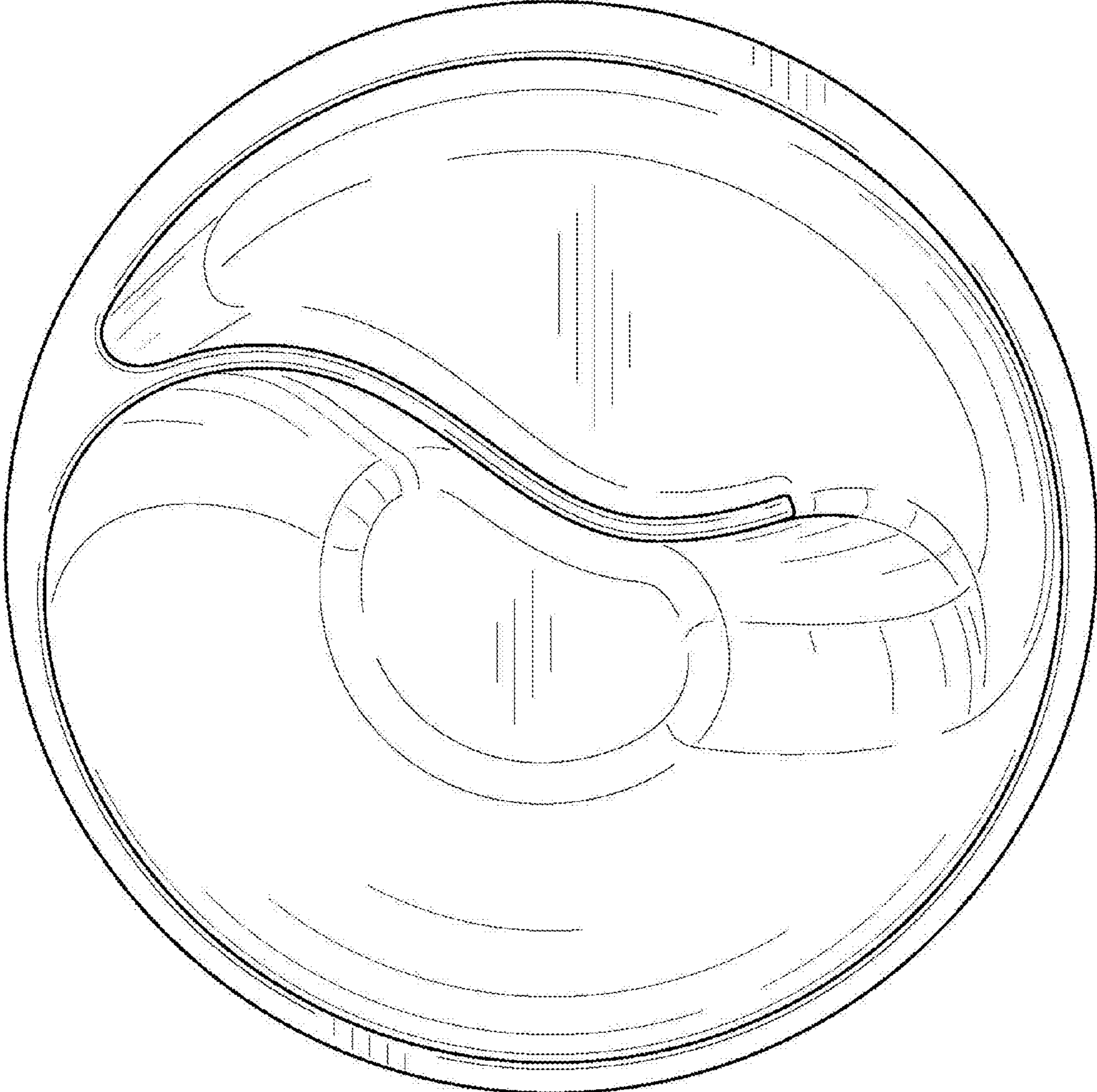


FIG. 6

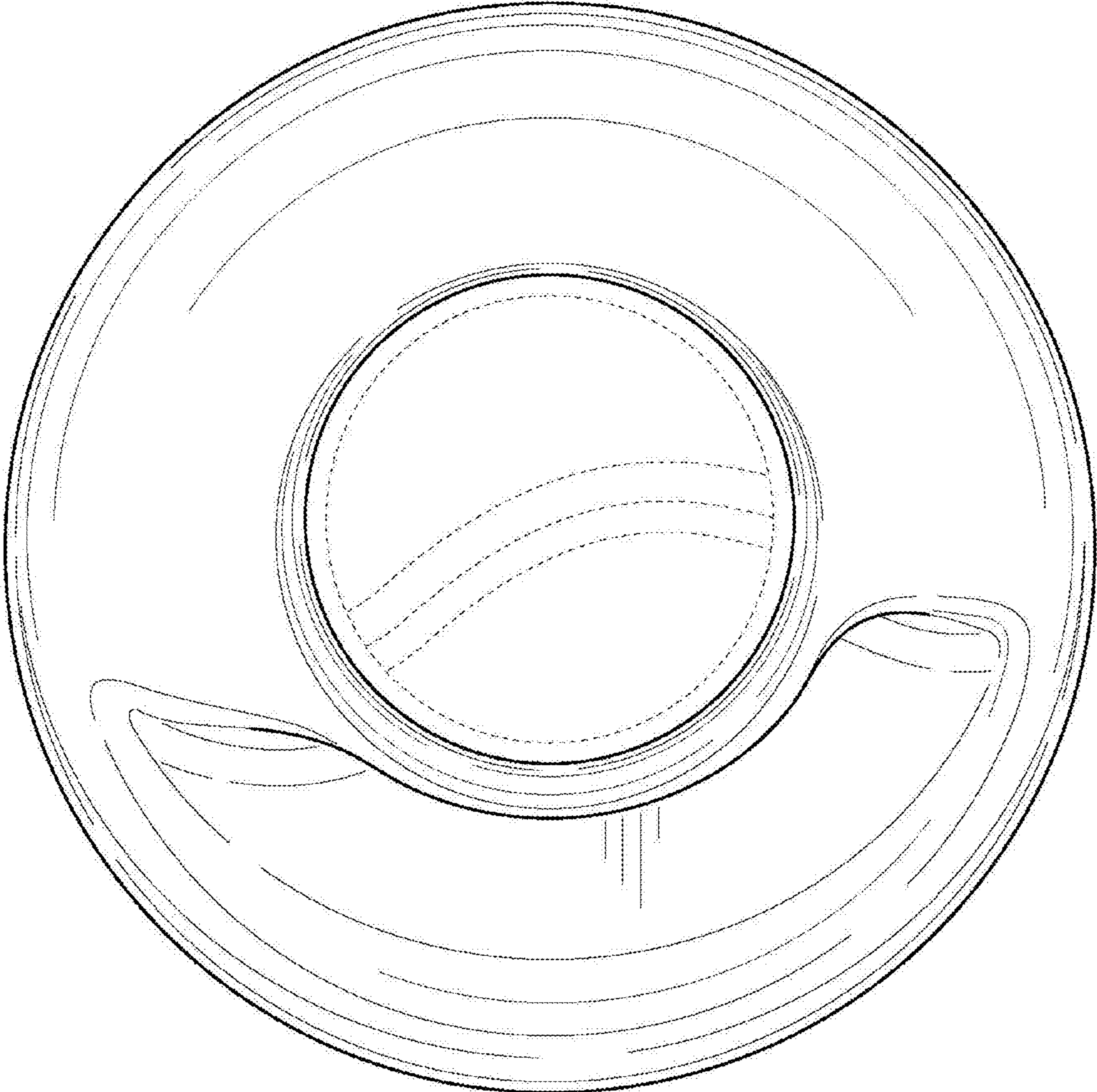


FIG. 7