



US00D633335S

(12) **United States Design Patent**
Groll

(10) **Patent No.:** **US D633,335 S**

(45) **Date of Patent:** **** Mar. 1, 2011**

(54) **POULTRY ROASTER**

(75) Inventor: **William A. Groll**, McMurray, PA (US)

(73) Assignee: **All-Clad Metalcrafters LLC**,
Canonsburg, PA (US)

(**) Term: **14 Years**

(21) Appl. No.: **29/362,559**

(22) Filed: **May 27, 2010**

(51) **LOC (9) Cl.** **07-02**

(52) **U.S. Cl.** **D7/402; D7/409**

(58) **Field of Classification Search** D7/323,
D7/332, 350.1, 352-361, 365, 378-379, 383-388,
D7/403, 409, 412, 213, 669, 402; 219/438-442,
219/620-622, 725-730; 99/140 R, 337,
99/342-347, 419, 421, 421 A, 421 HH, 421 H,
99/421 R, 422-426, 445-450; 426/132,
426/438, 441, 523

See application file for complete search history.

(56) **References Cited**

U.S. PATENT DOCUMENTS

D163,130 S *	5/1951	Perris	D7/213
D227,144 S *	6/1973	Chiechi	D7/669
D241,701 S *	10/1976	Rader	D7/402
D361,925 S *	9/1995	Kelly	D7/669
6,125,739 A *	10/2000	Jernigan	99/345
6,192,792 B1 *	2/2001	Gremillion	99/426
6,467,399 B1 *	10/2002	Boutte	99/347
6,622,616 B1 *	9/2003	Measom	99/345
D506,352 S *	6/2005	Dow et al.	D7/361
D525,471 S *	7/2006	Measom	D7/323
D554,429 S *	11/2007	Measom	D7/409
D556,508 S *	12/2007	Measom	D7/409
D557,070 S *	12/2007	Measom	D7/409
D558,519 S *	1/2008	Zemel	D7/409
D560,967 S *	2/2008	Zemel	D7/409
D564,286 S *	3/2008	Zemel	D7/354
D591,105 S *	4/2009	Hodges	D7/409

* cited by examiner

Primary Examiner—T. Chase Nelson

Assistant Examiner—Mark Cavanna

(74) *Attorney, Agent, or Firm*—The Webb Law Firm

(57) **CLAIM**

The ornamental design for a poultry roaster, as shown and described.

DESCRIPTION

FIG. 1 is a perspective view of a poultry roaster disposed on a portion of a roasting pan taken from a right sideward direction in accordance with an embodiment of the present invention.

FIG. 2 is a frontwardly directed perspective view of the poultry roaster of FIG. 1 in accordance with an embodiment of the present invention.

FIG. 3 is a rearwardly directed perspective view of the poultry roaster of FIG. 1 in accordance with an embodiment of the present invention.

FIG. 4 is a top plan view of the poultry roaster of FIG. 1 in accordance with an embodiment of the present invention.

FIG. 5 is a side elevation view of the poultry roaster of FIG. 1 in accordance with an embodiment of the present invention.

FIG. 6 is a rear elevation view of the poultry roaster of FIG. 1 in accordance with an embodiment of the present invention.

FIG. 7 is a front elevation view of the poultry roaster of FIG. 1 in accordance with an embodiment of the present invention, with the rear view being a mirror image thereof; and,

FIG. 8 is a bottom plan view of the poultry roaster of FIG. 1 in accordance with an embodiment of the present invention.

The broken lines shown in FIG. 1 are provided for the purpose of showing environment only, and form no portion of the claimed design.

1 Claim, 4 Drawing Sheets

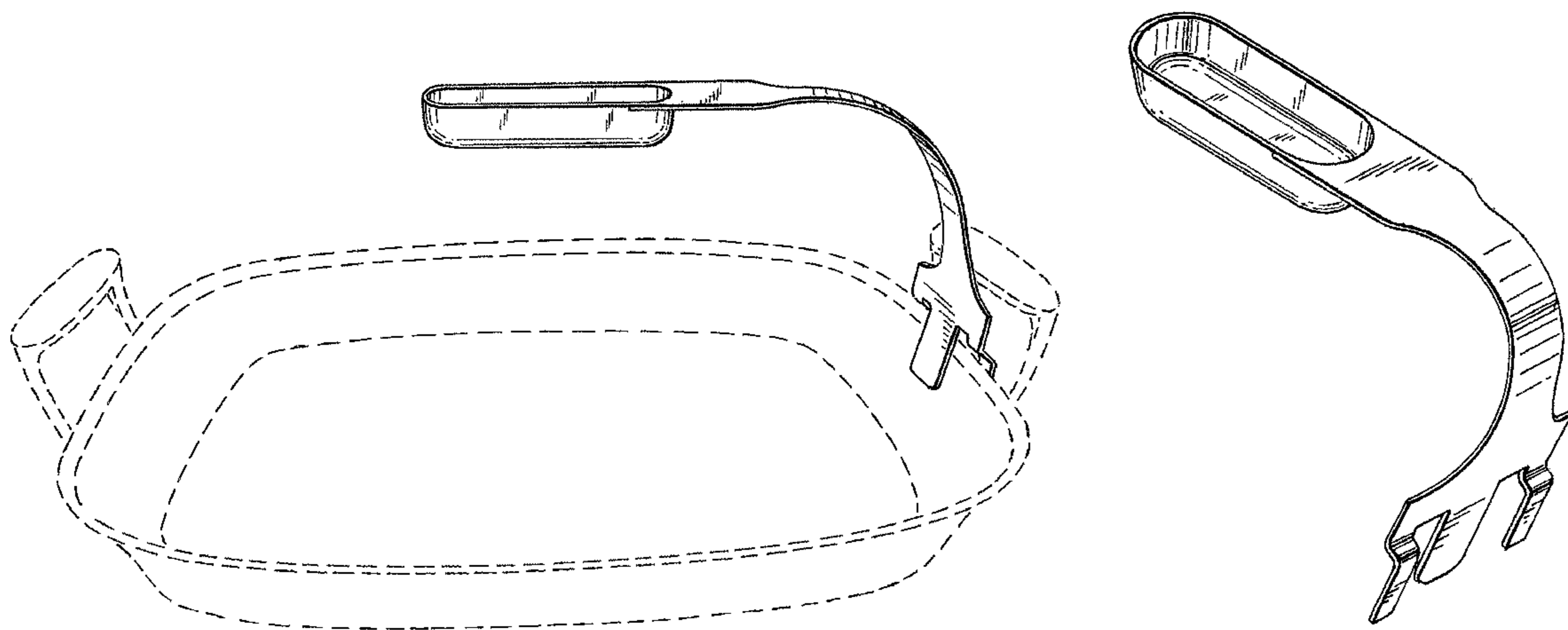
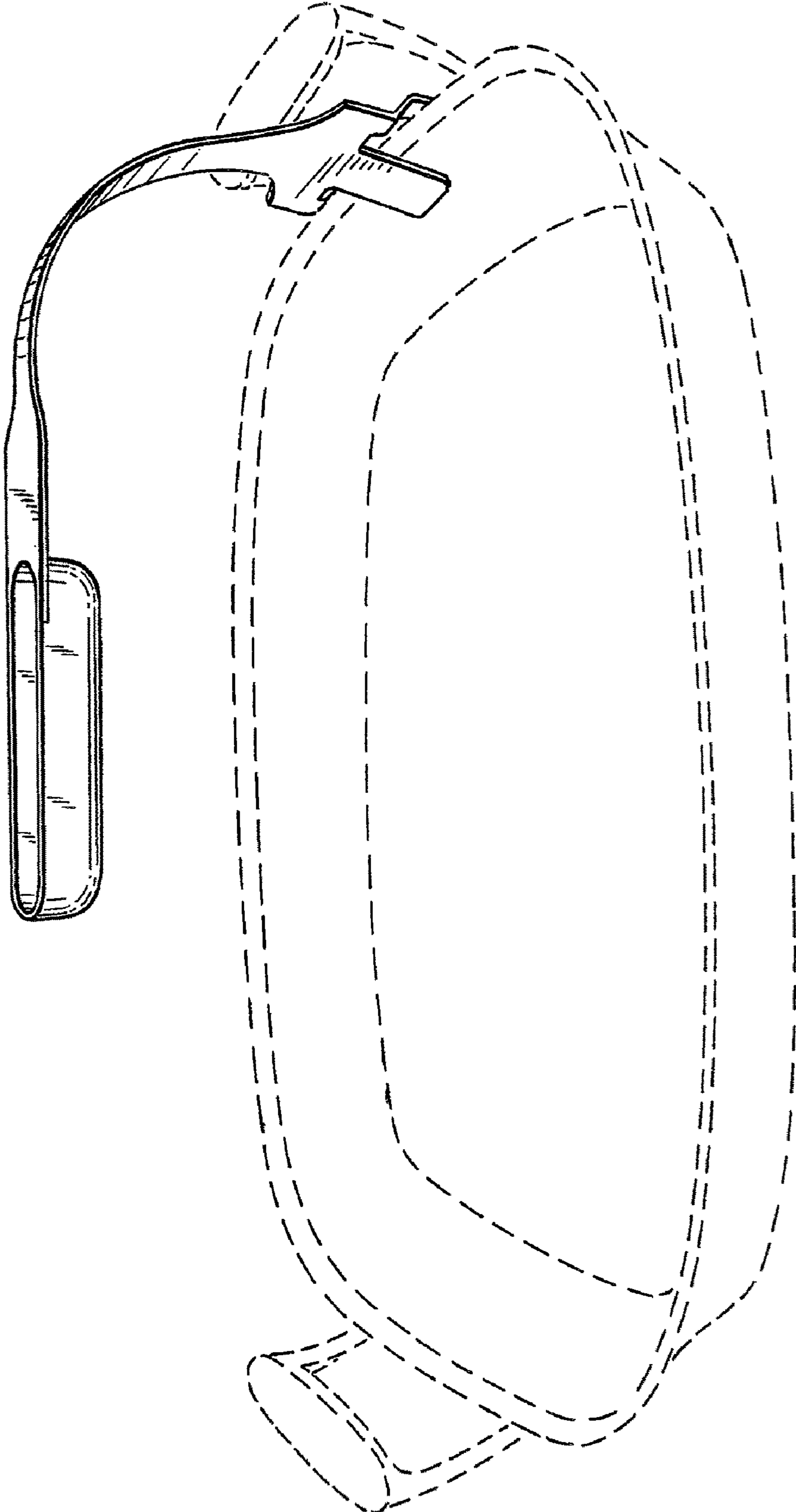


FIG. 1



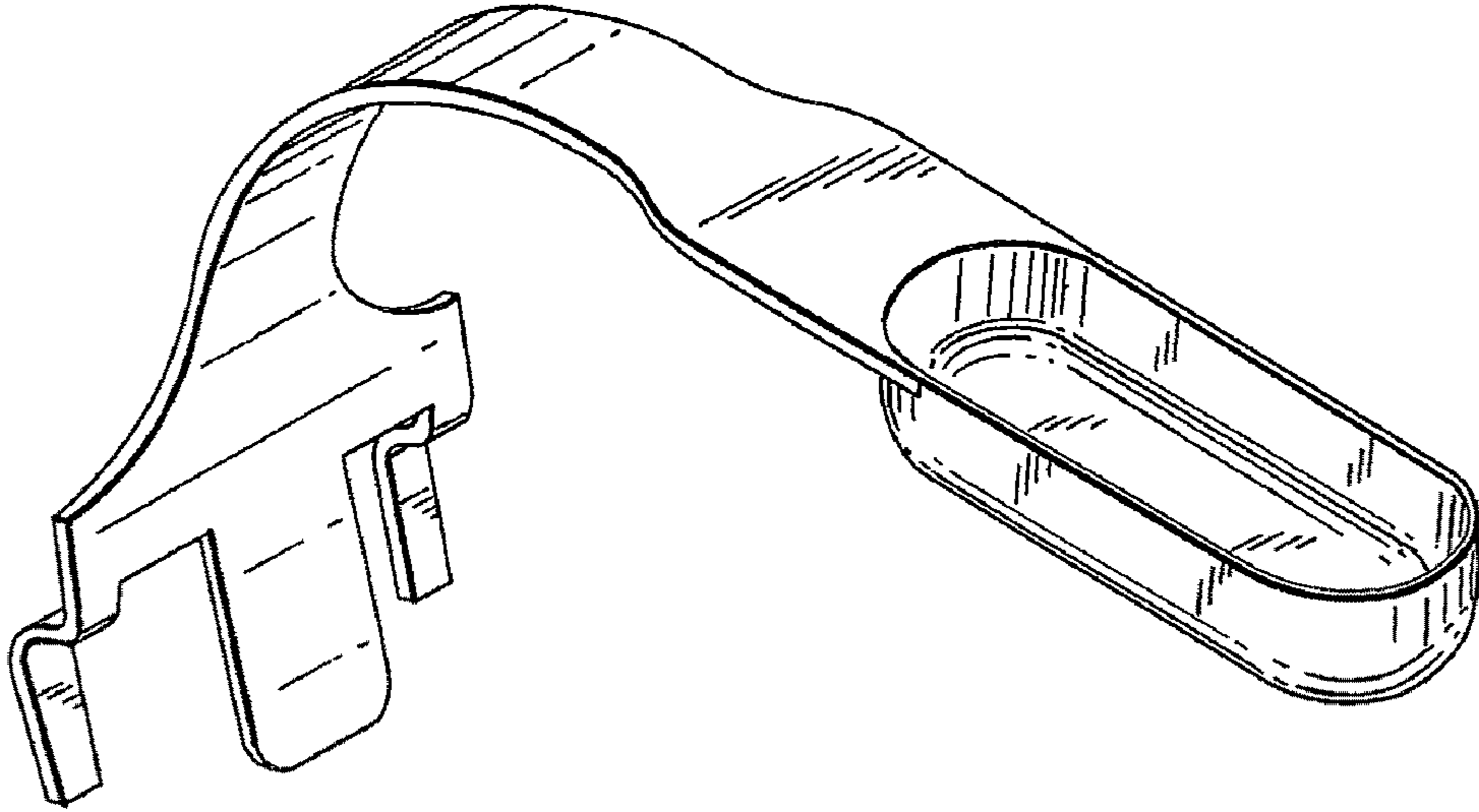


FIG. 2

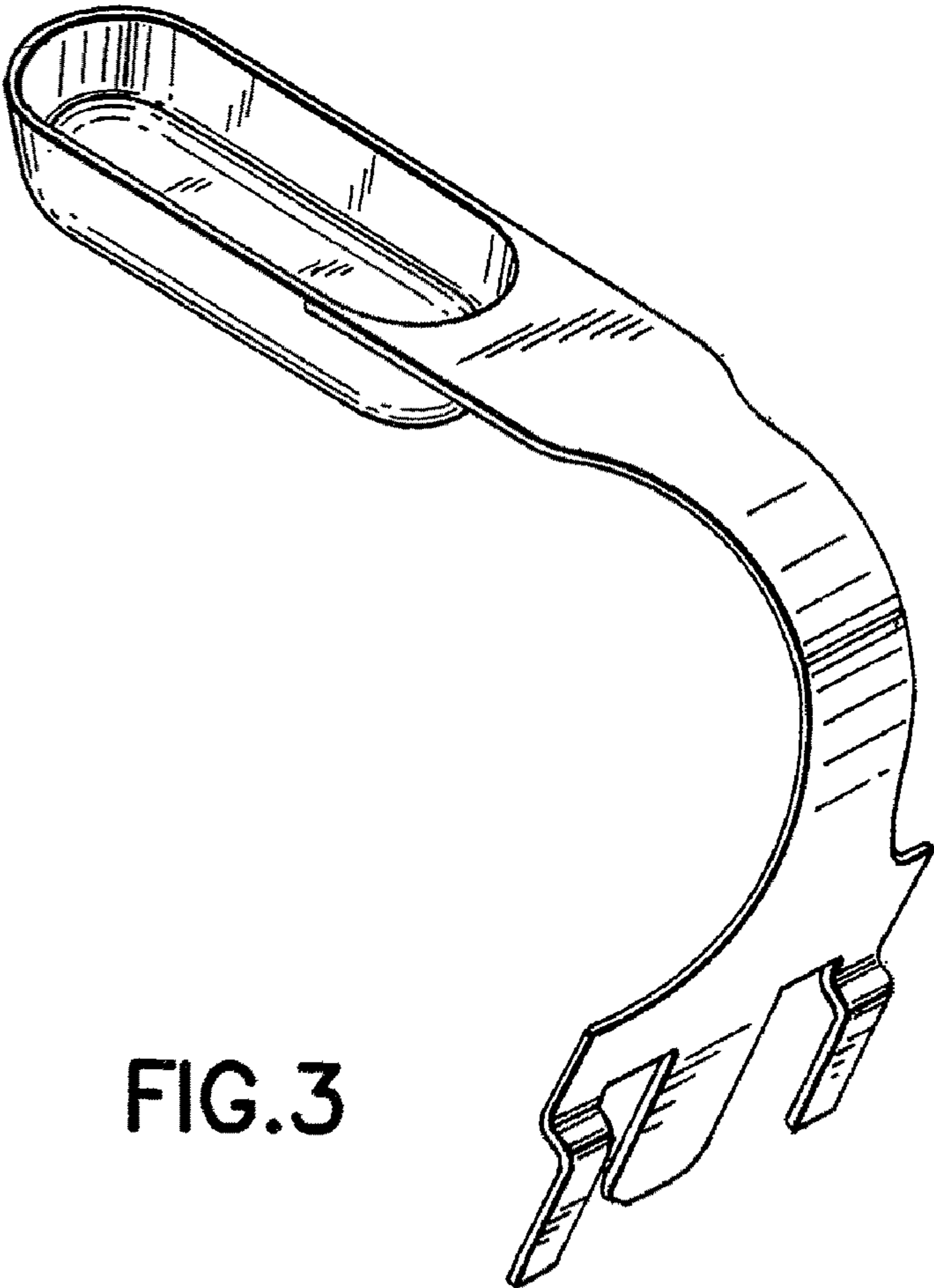


FIG. 3

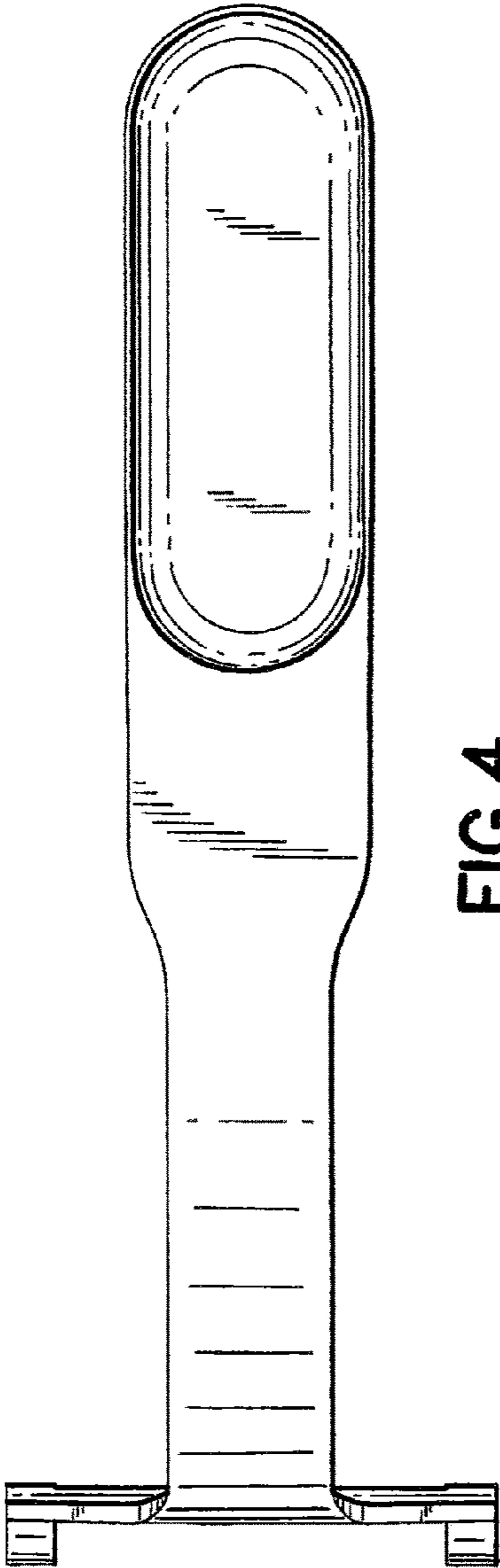


FIG. 4

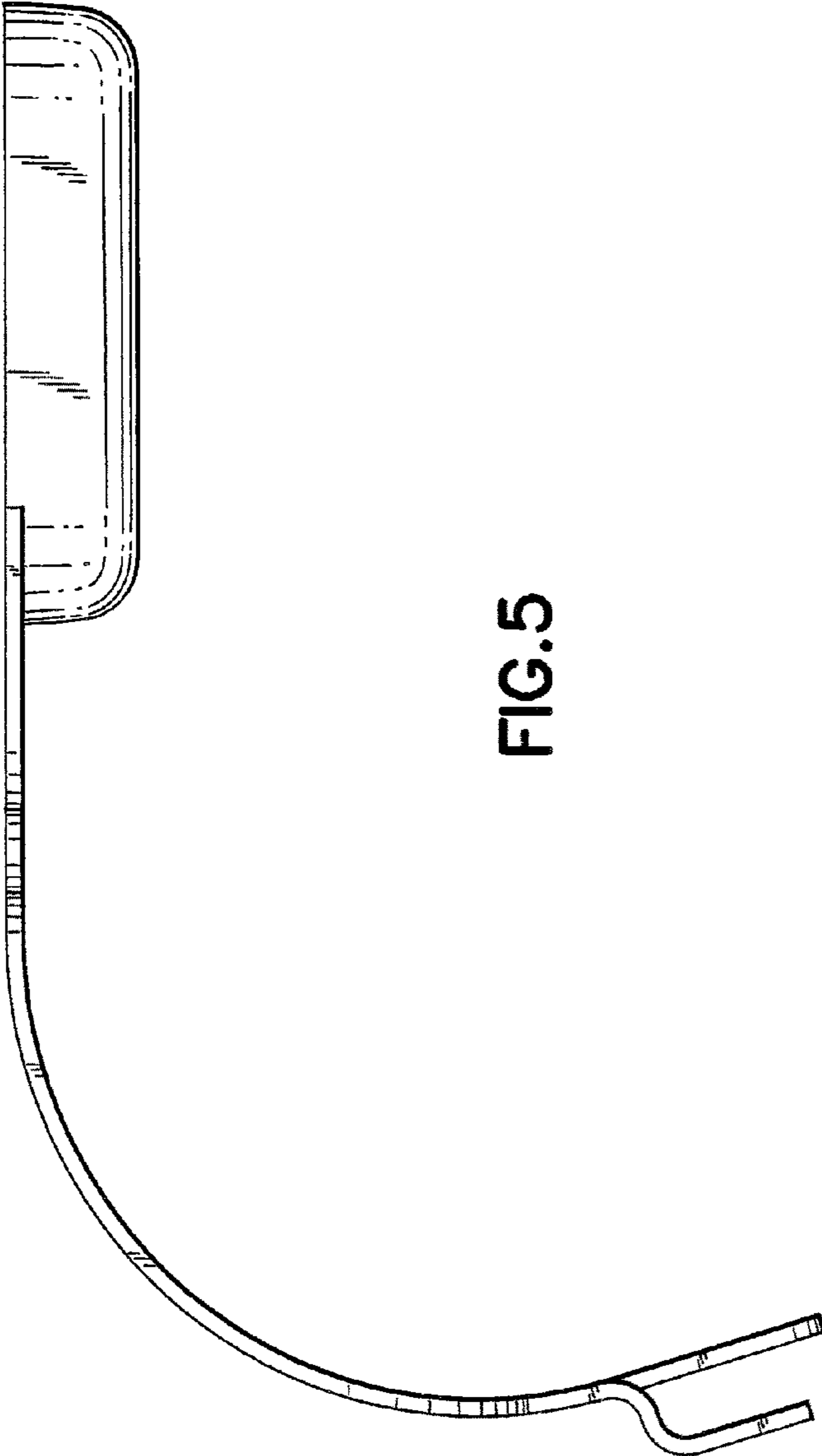


FIG. 5

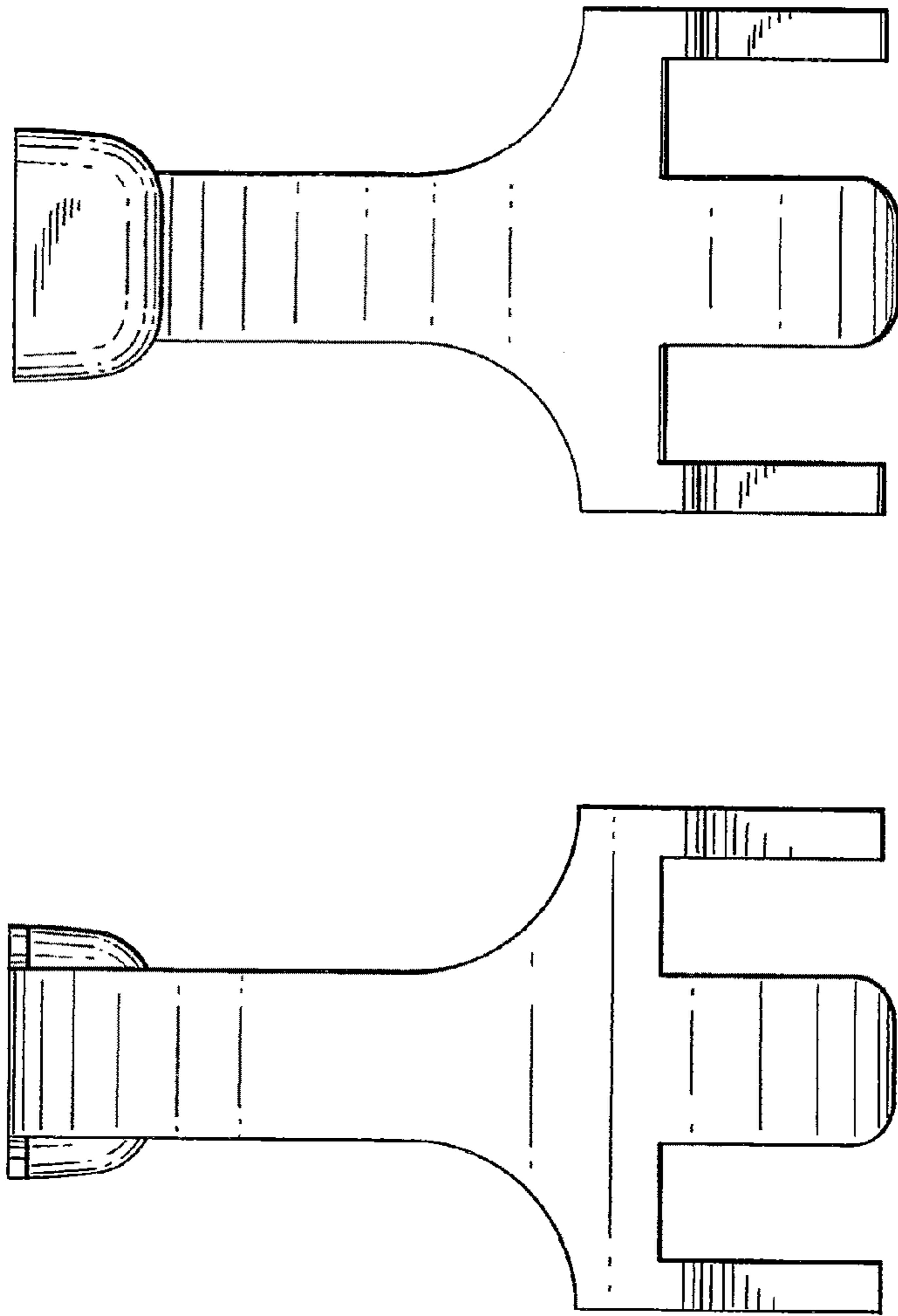


FIG. 6

FIG. 7

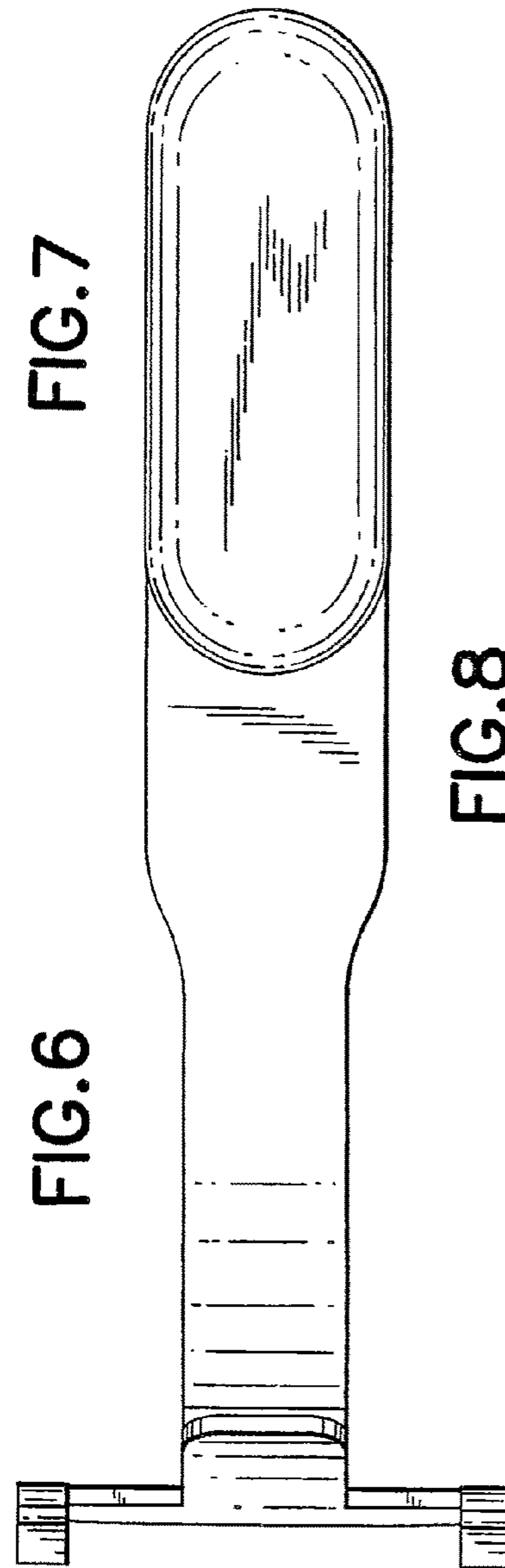


FIG. 8