



(12) **United States Design Patent**
Kaiser et al.

(10) **Patent No.:** **US D633,334 S**
(45) **Date of Patent:** **** Mar. 1, 2011**

(54) **STAND MIXER**

(75) Inventors: **Helmut Kaiser**, Wolfratshausen (DE);
Tobias Krüger, München (DE); **Gerd Schwarz**, München (DE)

(73) Assignee: **BSH Bosch und Siemens Hausgeraete GmbH**, Munich (DE)

(**) Term: **14 Years**

(21) Appl. No.: **29/375,222**

(22) Filed: **Sep. 20, 2010**

(30) **Foreign Application Priority Data**

Mar. 23, 2010 (EM) 001207245

(51) **LOC (9) Cl.** **31-00**

(52) **U.S. Cl.** **D7/379; D7/376; D7/384**

(58) **Field of Classification Search** D7/305-311,
D7/317-318, 372, 376-386, 412-415; 99/348,
99/509-511; 241/30-37.5, 101.01-101.2,
241/166-169.1, 285.1-285.3, 291, 292.1;
366/64-67, 98, 142, 197-211, 241-254,
366/279-292, 341-347

See application file for complete search history.

(56) **References Cited**

U.S. PATENT DOCUMENTS

D255,757 S * 7/1980 Feil D7/386

(Continued)

Primary Examiner—Ricky Pham

(74) *Attorney, Agent, or Firm*—James E. Howard; Andre Pallapies

(57) **CLAIM**

The ornamental design for a stand mixer, as shown and described.

DESCRIPTION

FIG. 1 is a front perspective view showing a stand mixer according to a first embodiment of our new ornamental design;

FIG. 2 is a front view thereof;

FIG. 3 is a rear view thereof;

FIG. 4 is a left side view thereof;

FIG. 5 is a right side view thereof;

FIG. 6 is a top view thereof;

FIG. 7 is a bottom view thereof;

FIG. 8 is a front perspective view showing a stand mixer according to a second embodiment of our new ornamental design;

FIG. 9 is a front view thereof;

FIG. 10 is a rear view thereof;

FIG. 11 is a left side view thereof;

FIG. 12 is a right side view thereof;

FIG. 13 is a top view thereof;

FIG. 14 is a bottom view thereof;

FIG. 15 is a front perspective view showing a stand mixer according to a third embodiment of our new ornamental design;

FIG. 16 is a front view thereof;

FIG. 17 is a rear view thereof;

FIG. 18 is a left side view thereof;

FIG. 19 is a right side view thereof;

FIG. 20 is a top view thereof; and,

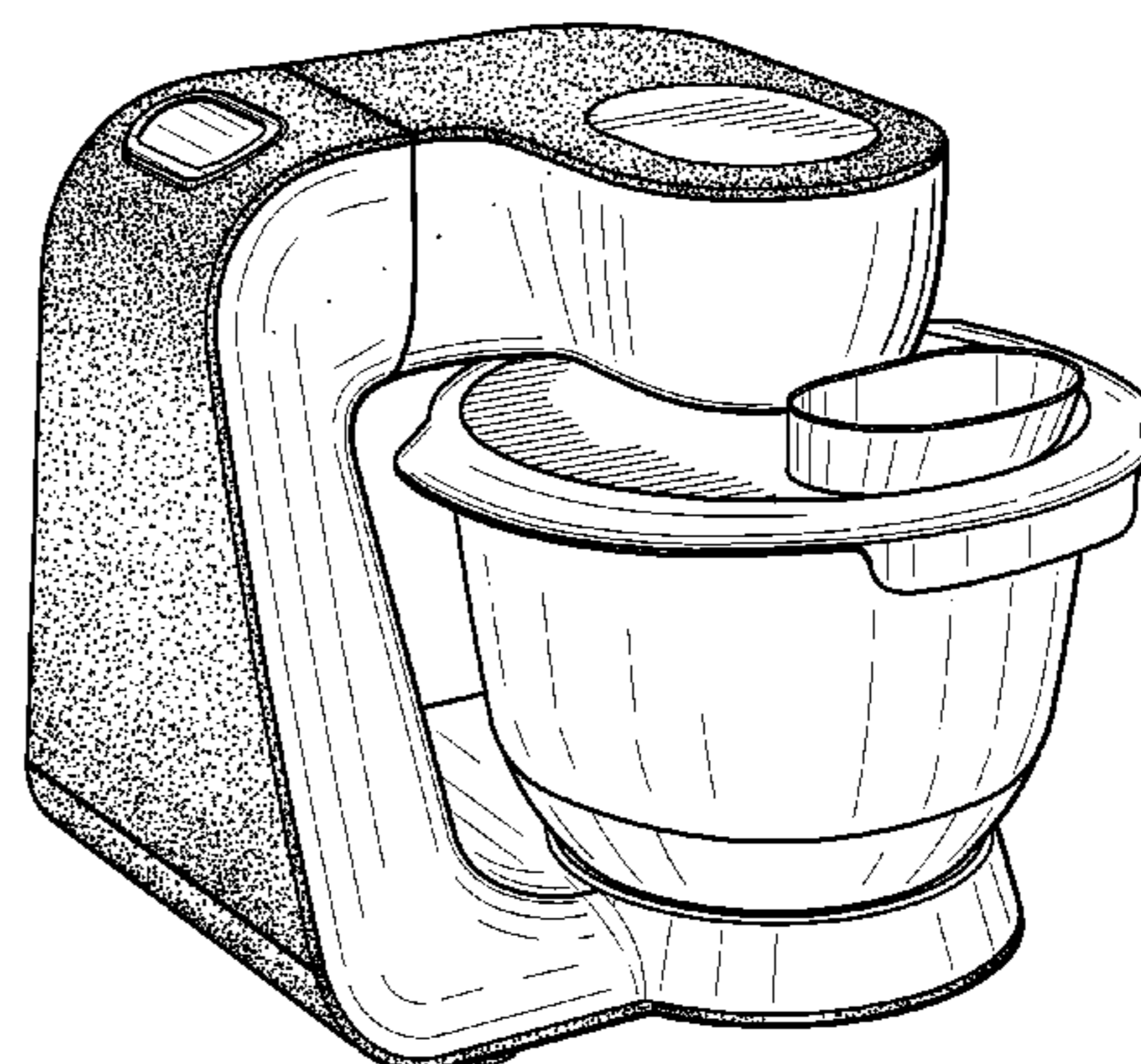
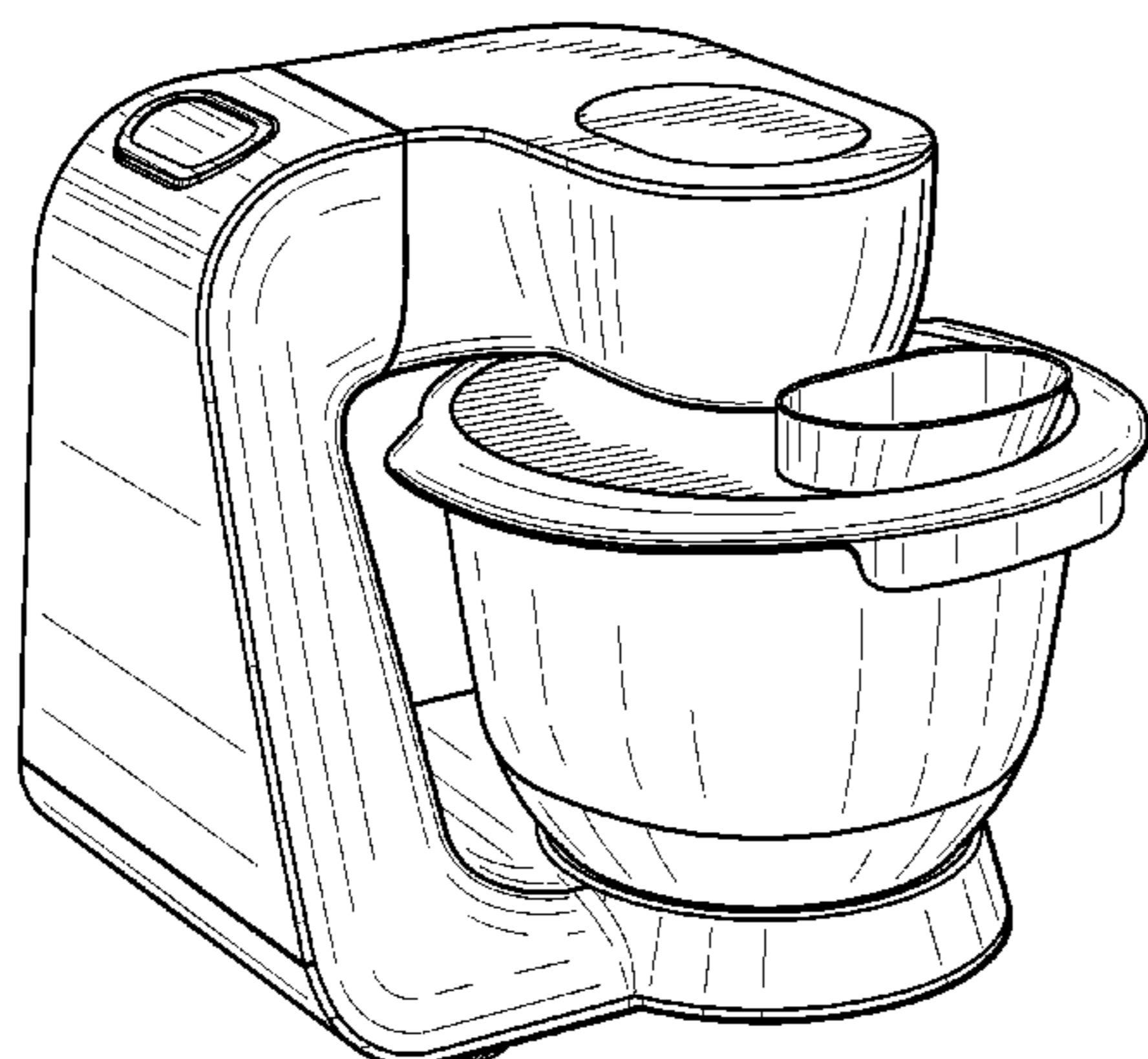
FIG. 21 is a bottom view thereof.

Applicants specifically reserve the right to pursue portions of each of the designs disclosed herein, e.g., various portions of each stand mixer (such as any individual component in isolation, e.g., the frame/stand or veneer thereof, bowl, lid, etc.), various portions of the components thereof and/or combinations of or the interface between components or portions thereof.

The broken lines represent environment or structure of the stand mixer and do not form any part of the claimed design.

The stippling in FIGS. 8-21 indicates contrast.

1 Claim, 21 Drawing Sheets



US D633,334 S

Page 2

U.S. PATENT DOCUMENTS

D291,271 S *	8/1987	Wilson	D7/379	D529,759 S *	10/2006	Feil	D7/384
D372,162 S *	7/1996	Ivy	D7/379	D540,116 S *	4/2007	Feil	D7/384
D436,497 S *	1/2001	Nalbandian	D7/379	D541,586 S *	5/2007	Feil	D7/384
D470,717 S *	2/2003	Kaiser	D7/379	D551,494 S *	9/2007	Feil	D7/379
D527,943 S *	9/2006	Feil	D7/384				

* cited by examiner

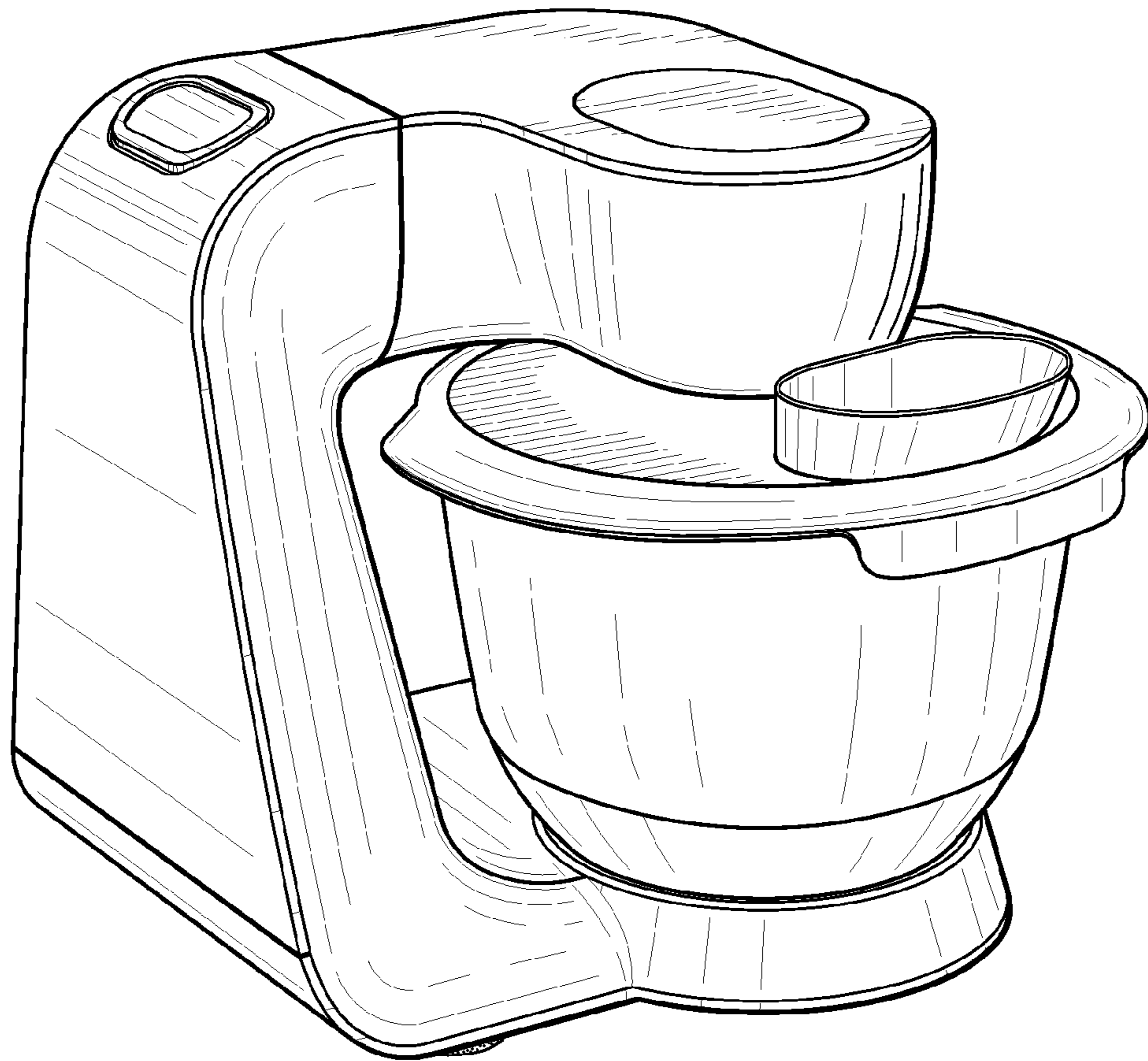


FIG. 1

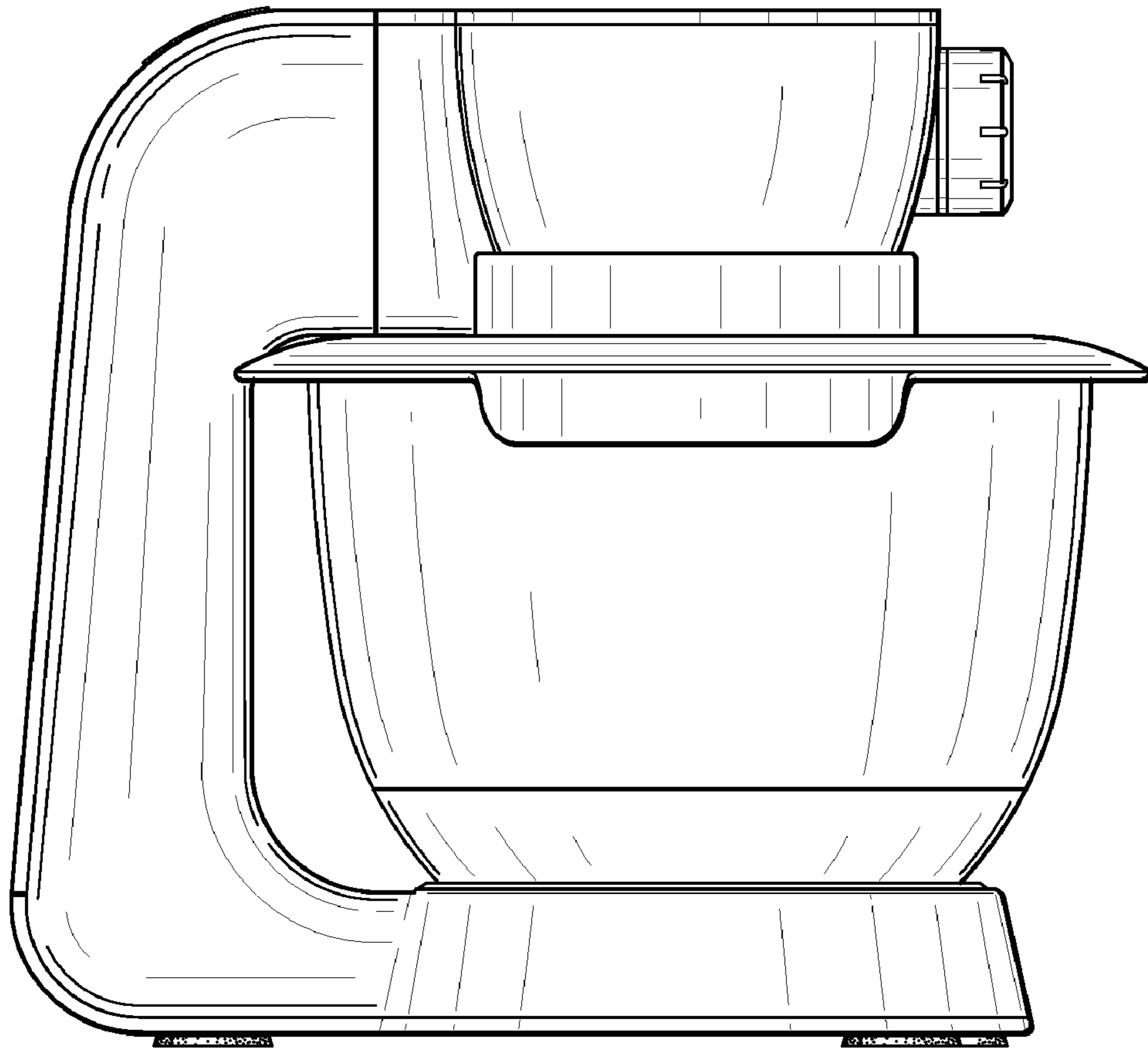


FIG. 2

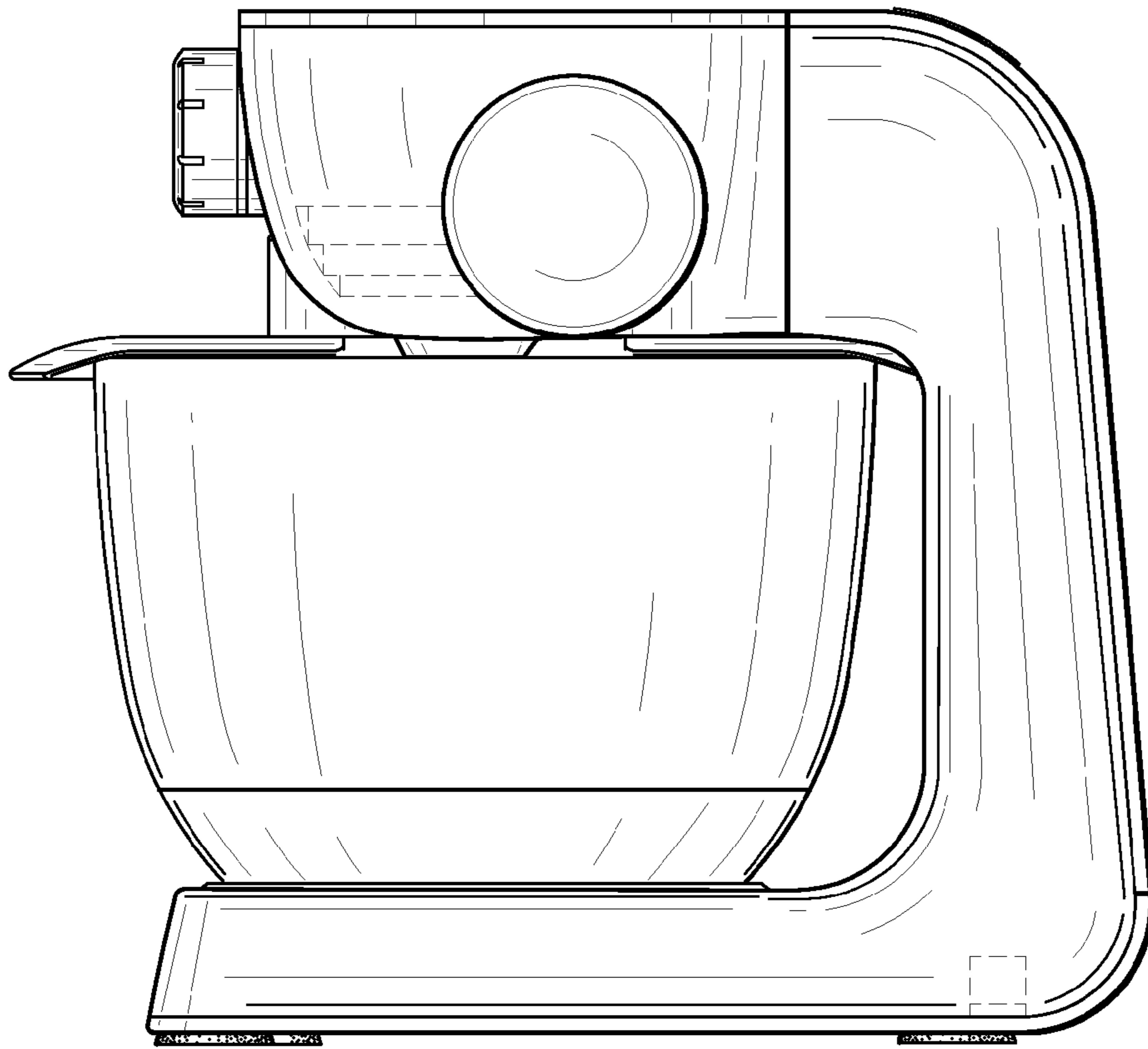


FIG. 3

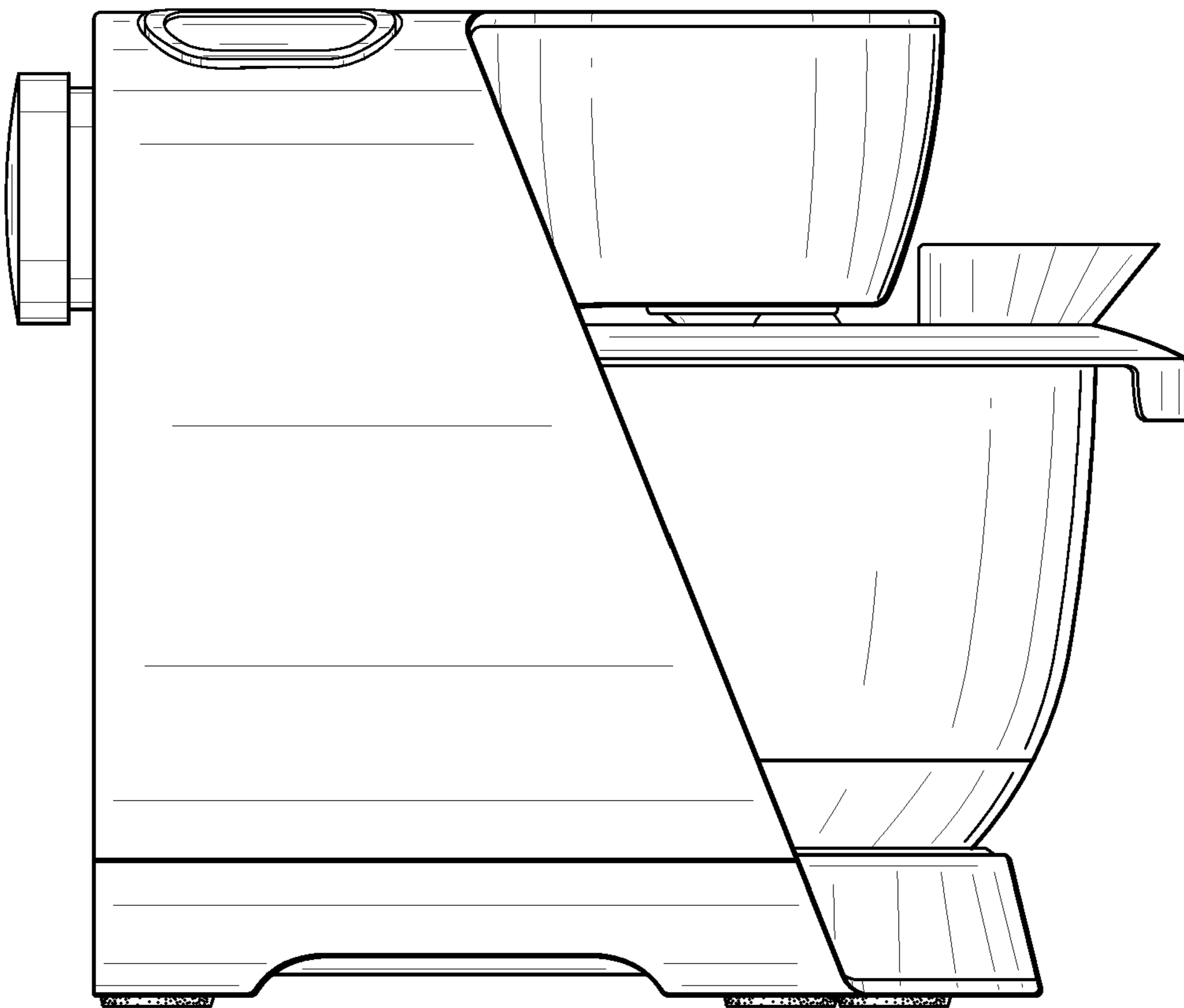


FIG. 4

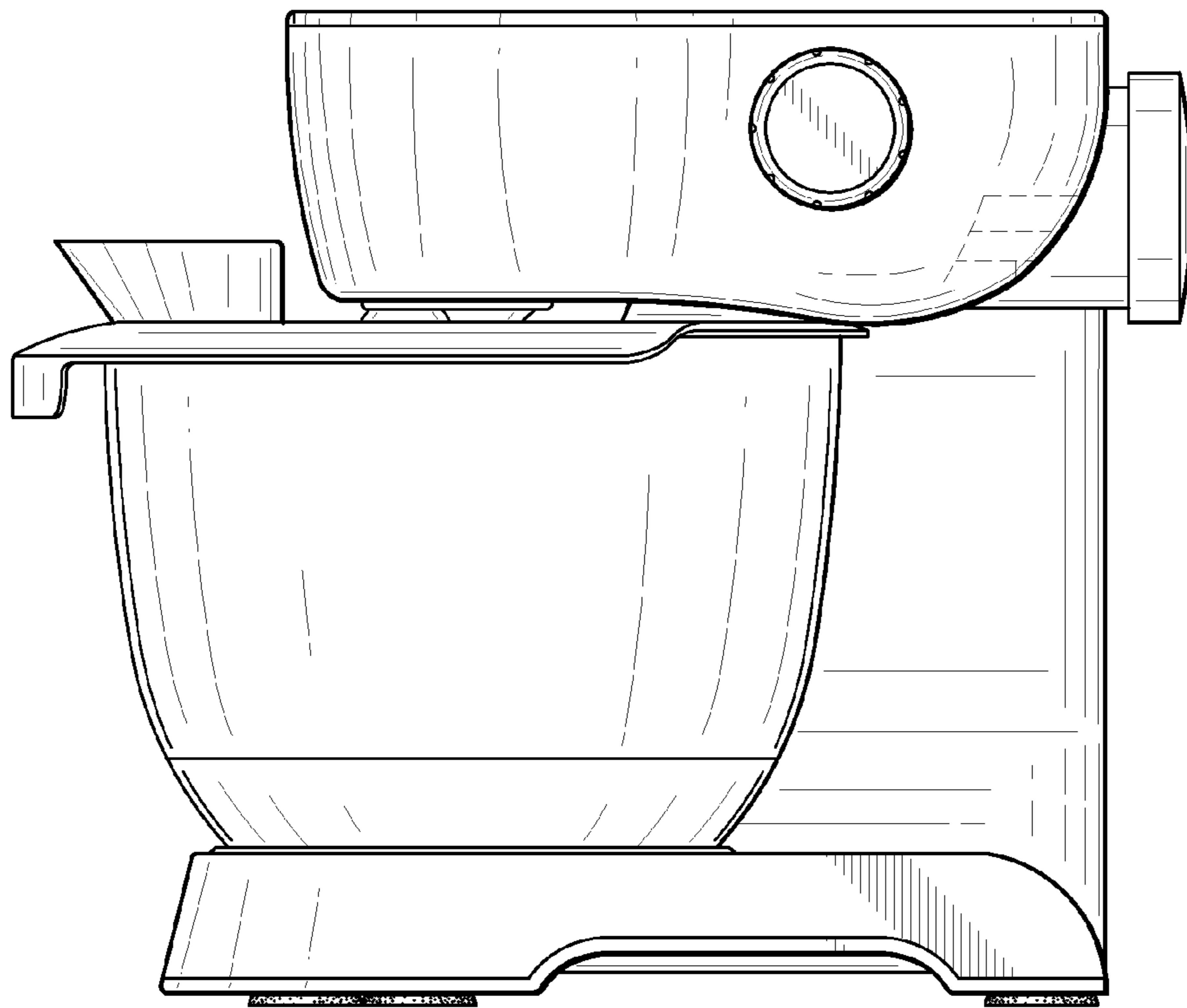


FIG. 5

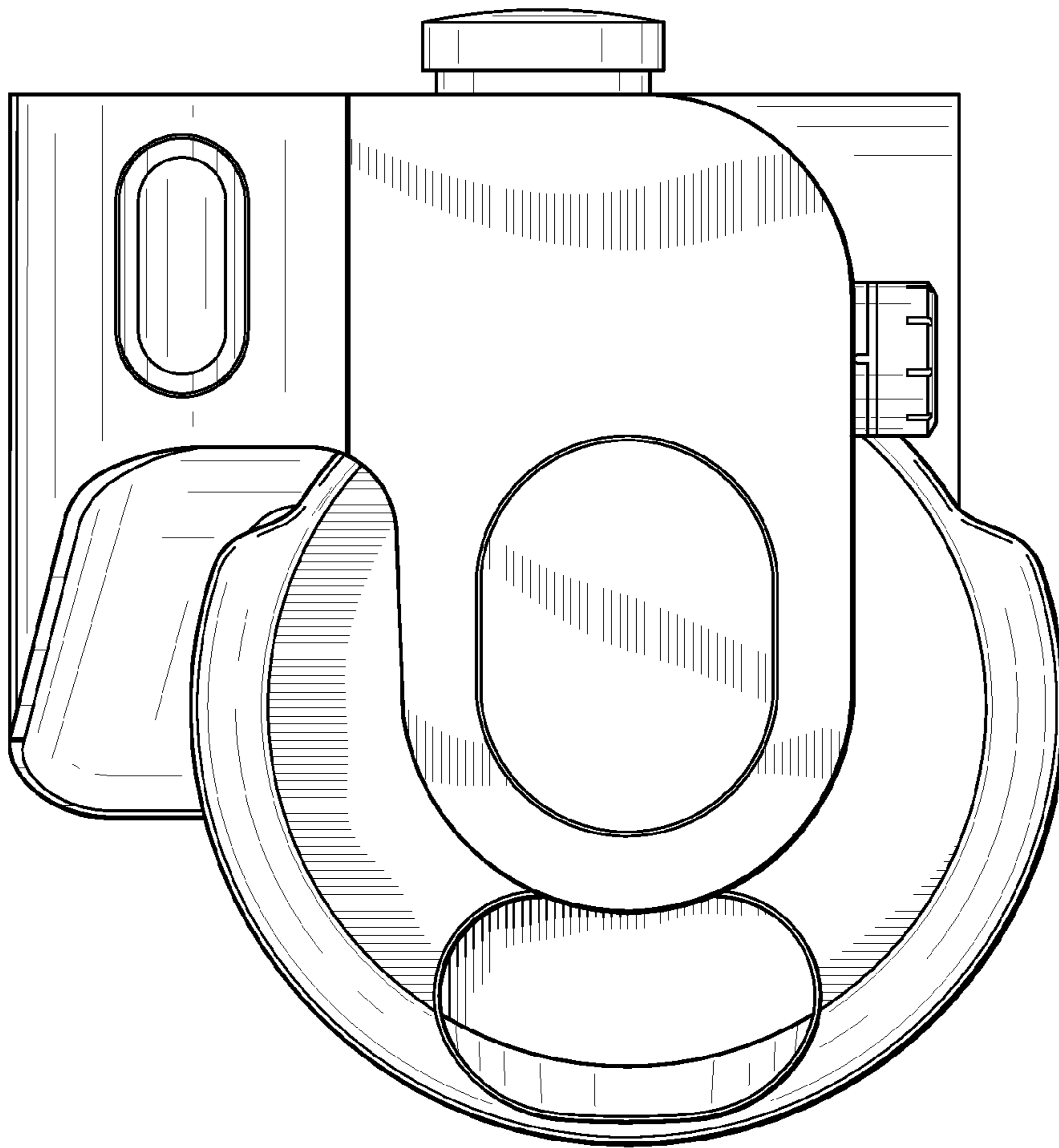


FIG. 6

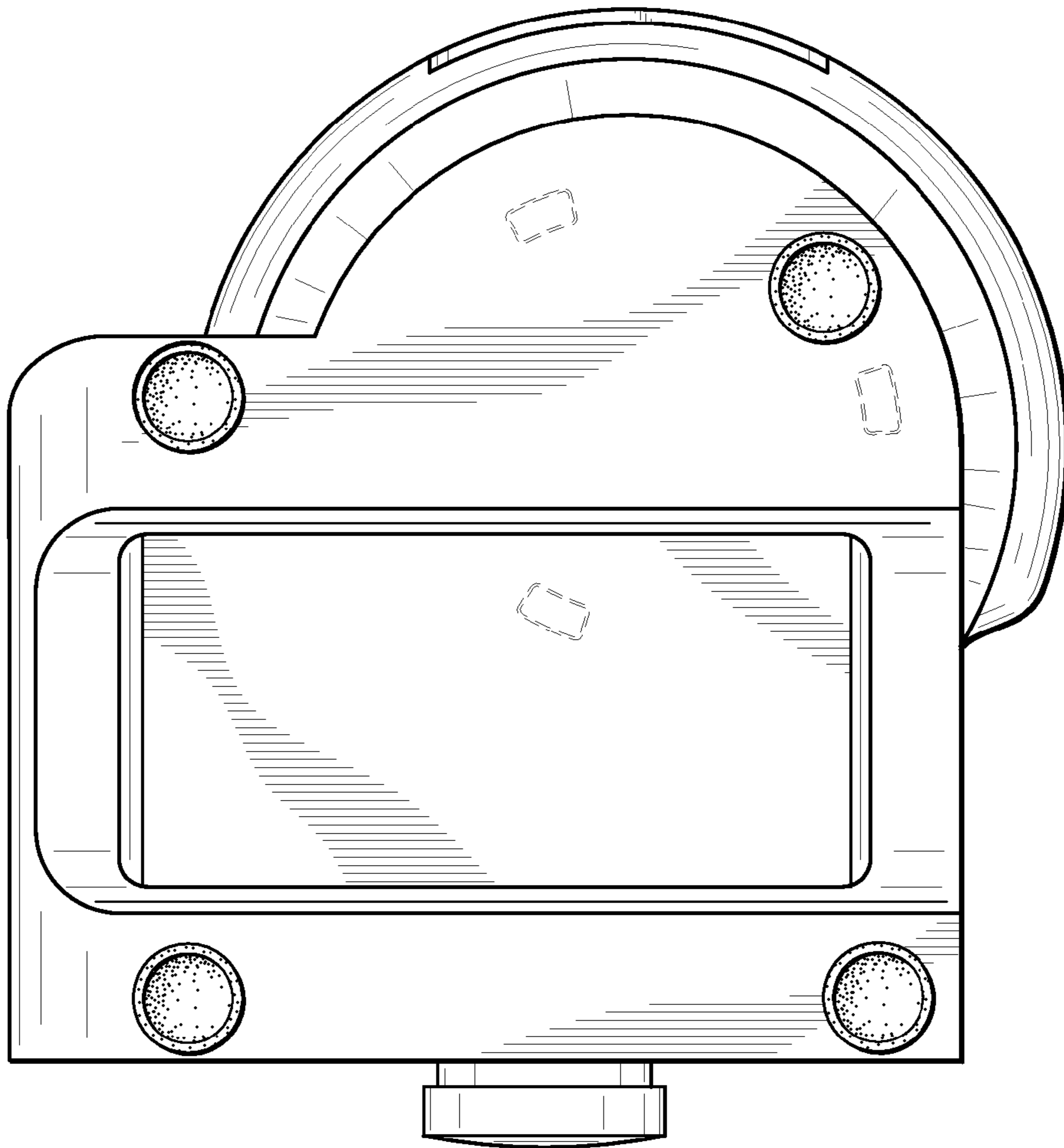


FIG. 7

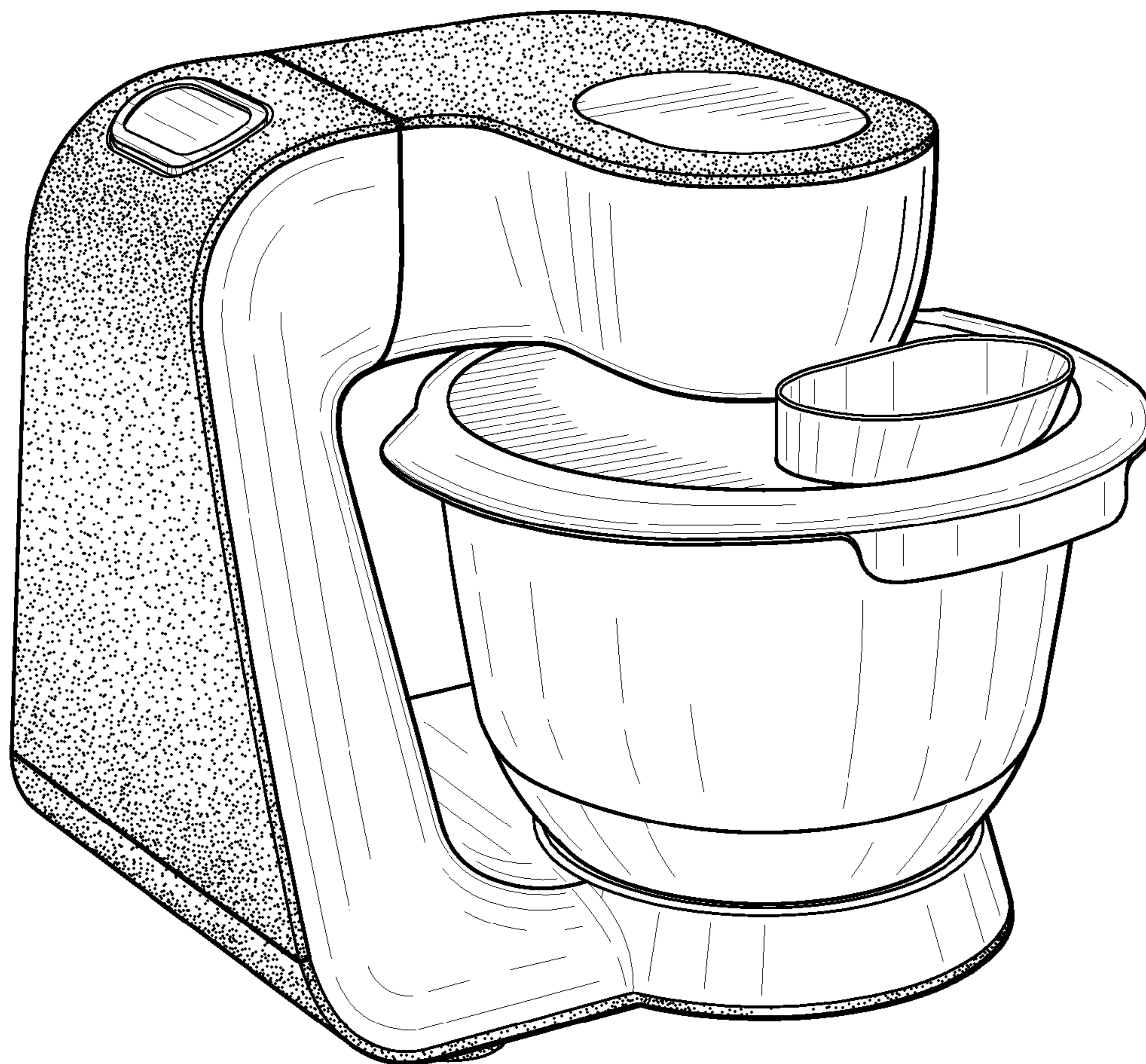


FIG. 8

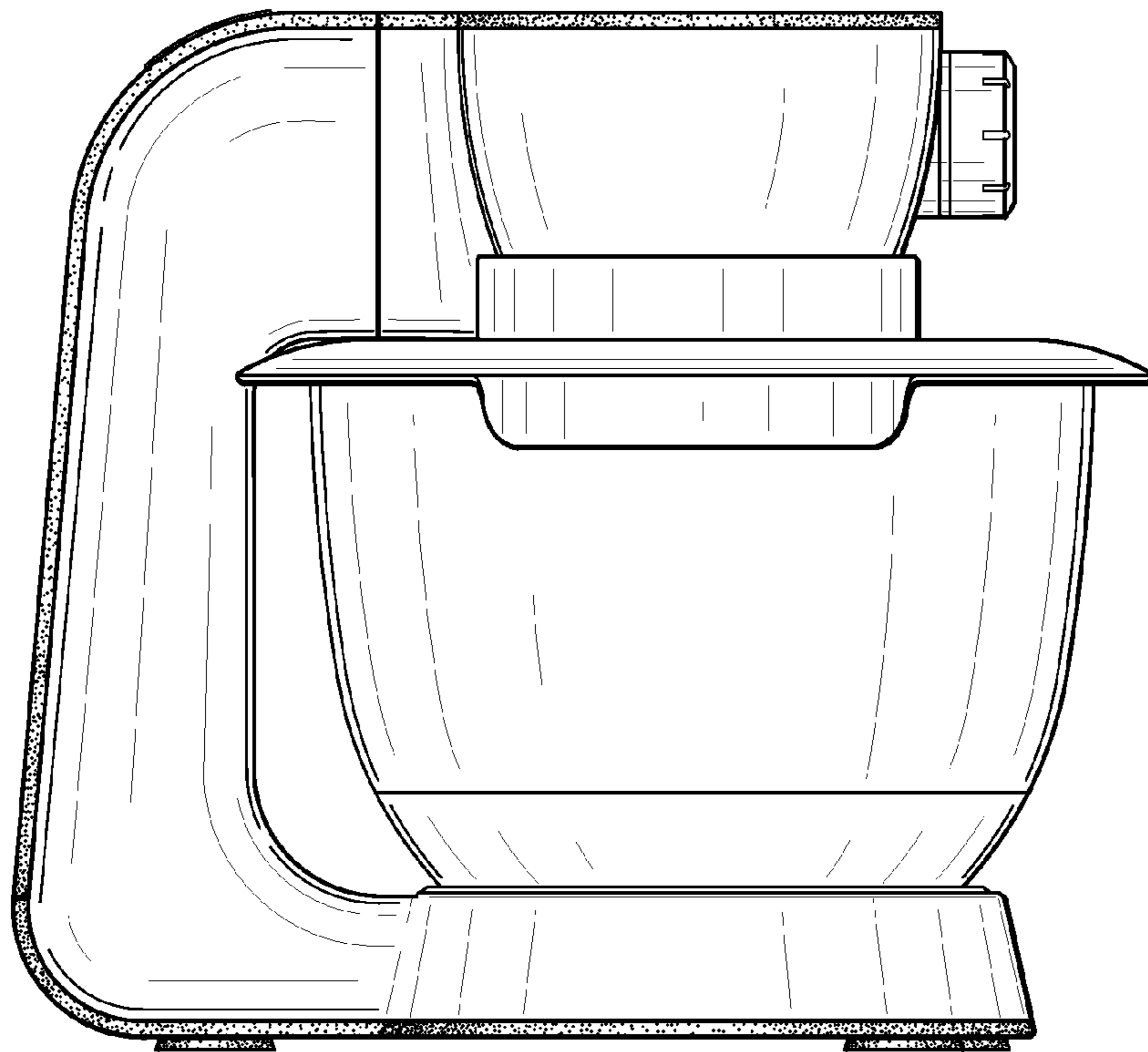


FIG. 9

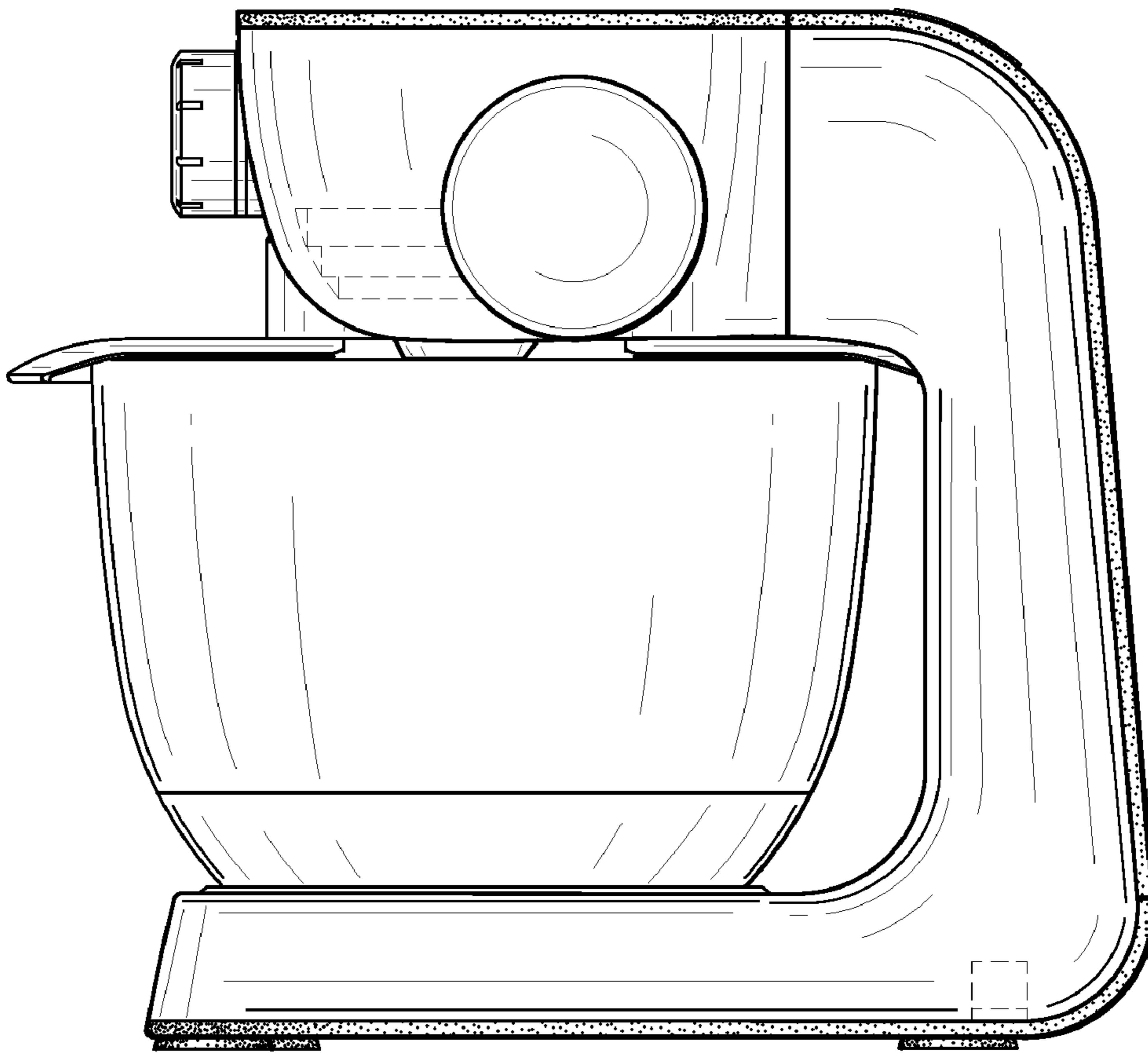


FIG. 10

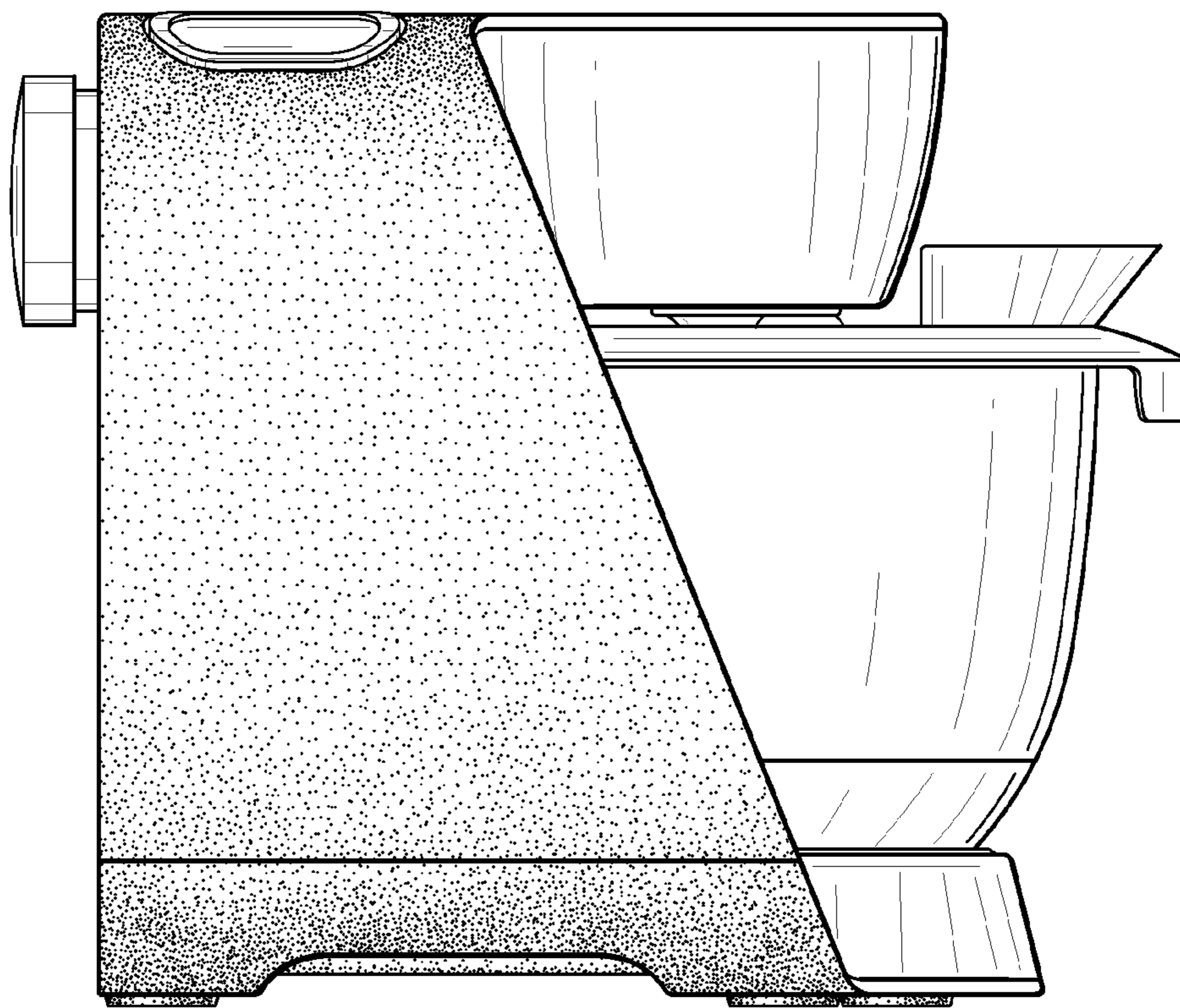


FIG. 11

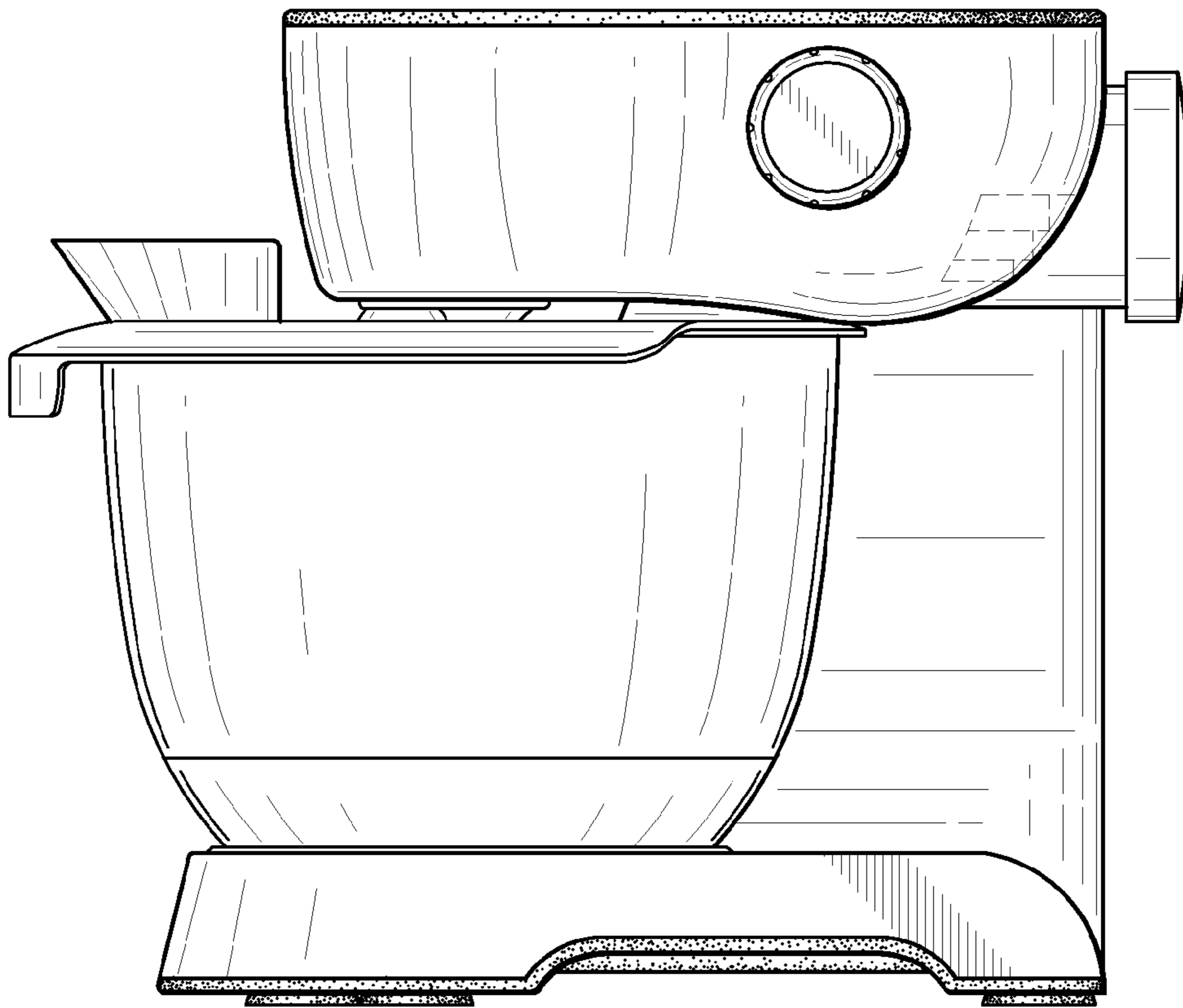


FIG. 12

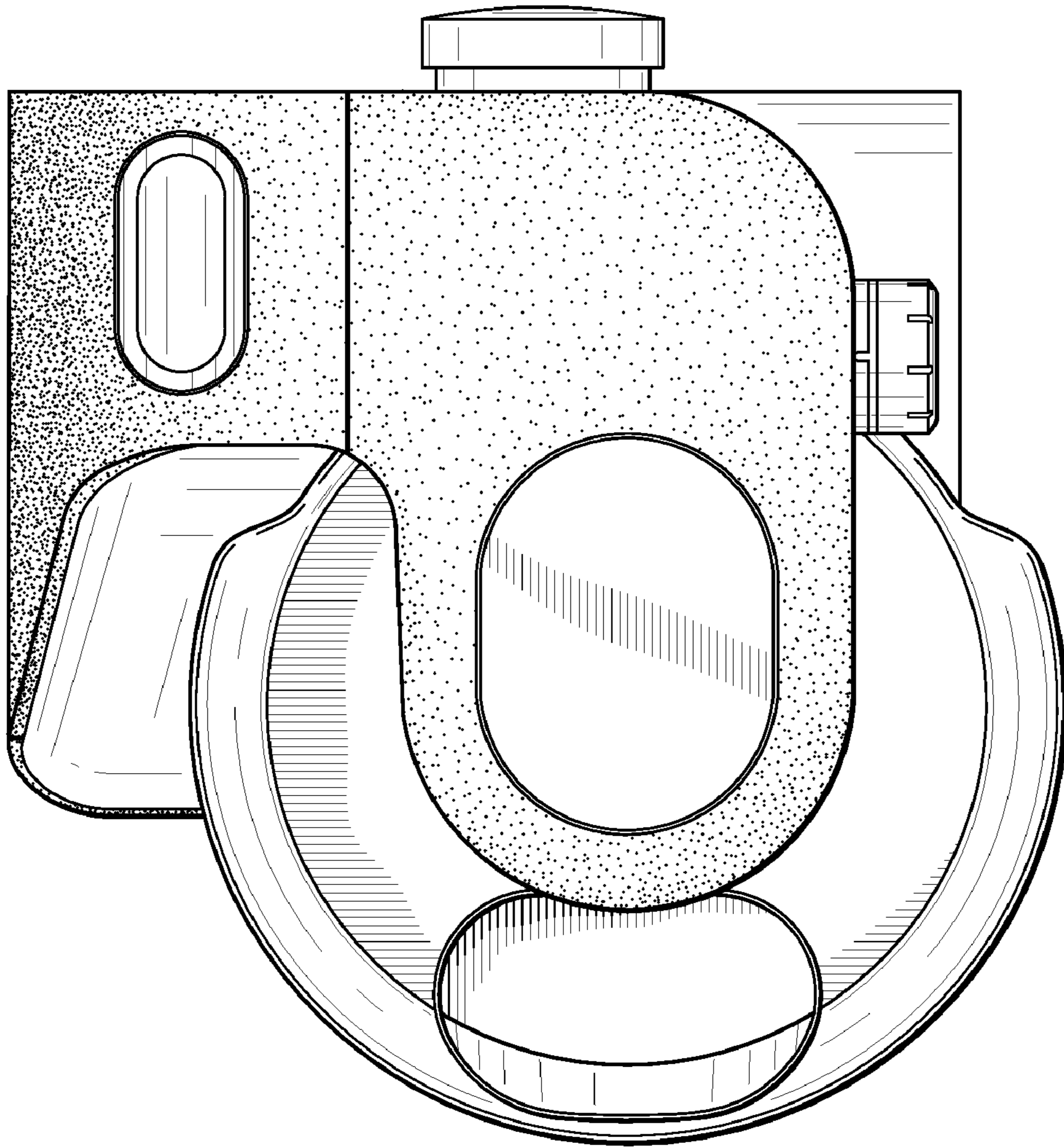


FIG. 13

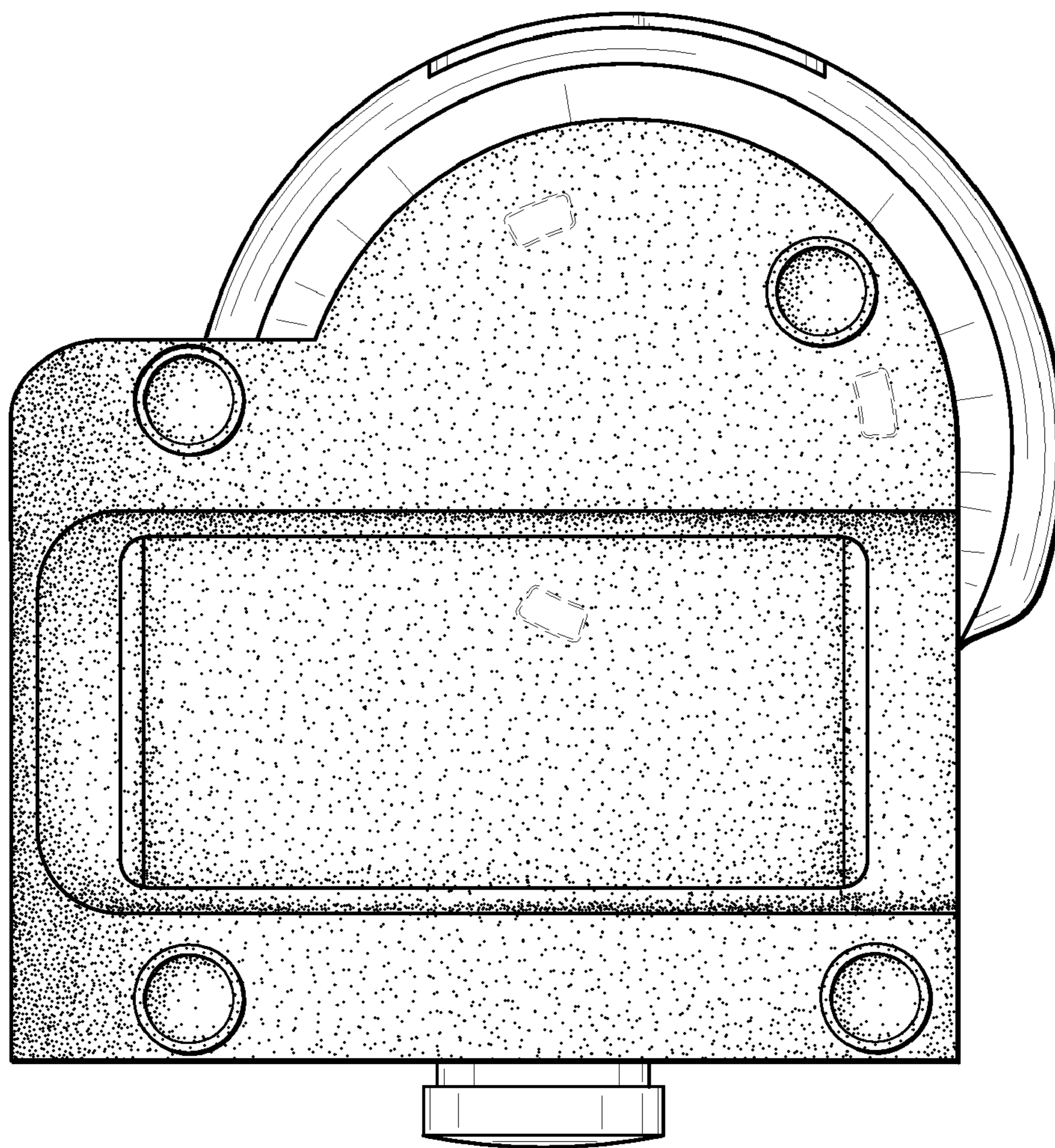


FIG. 14

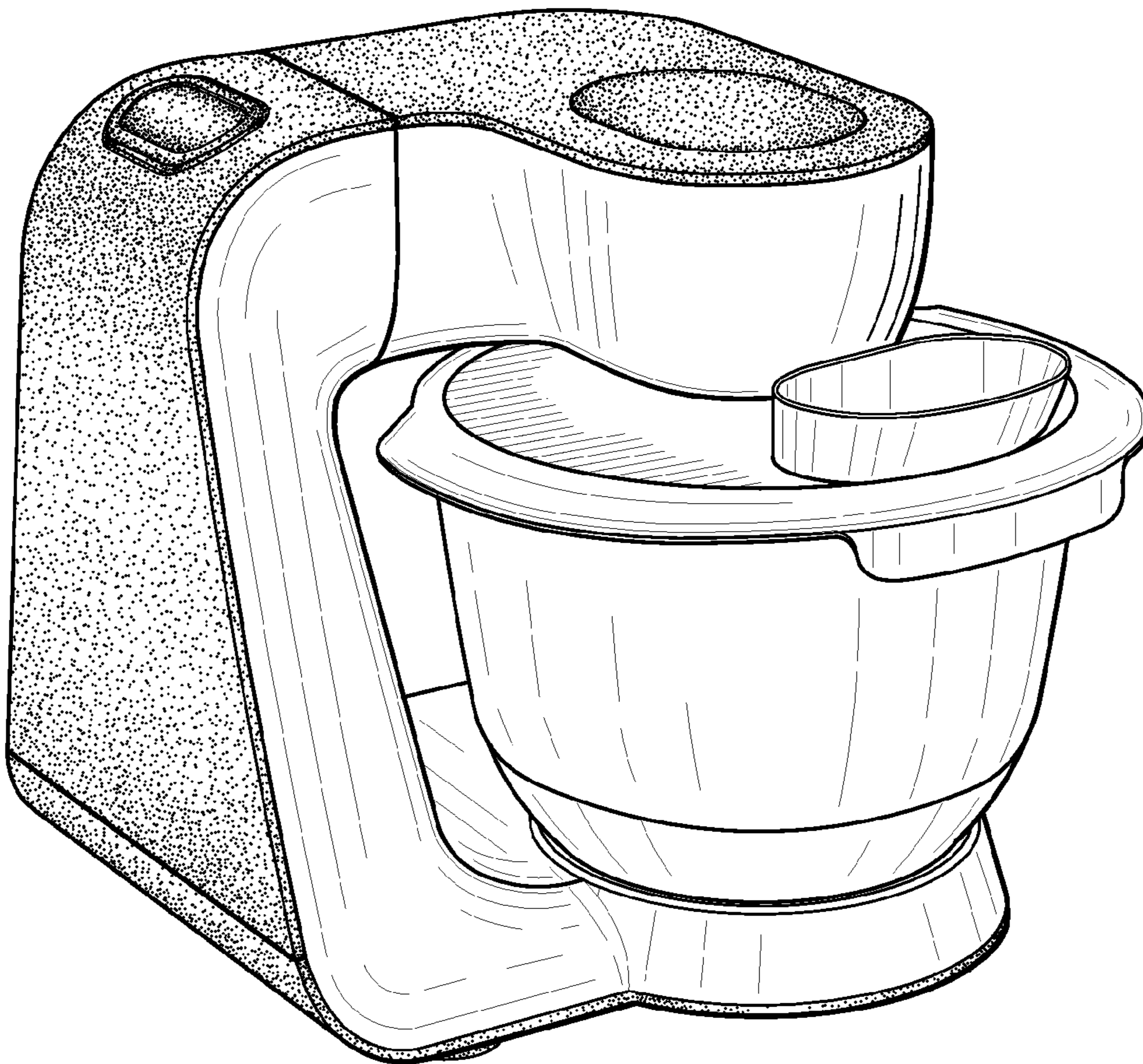


FIG. 15

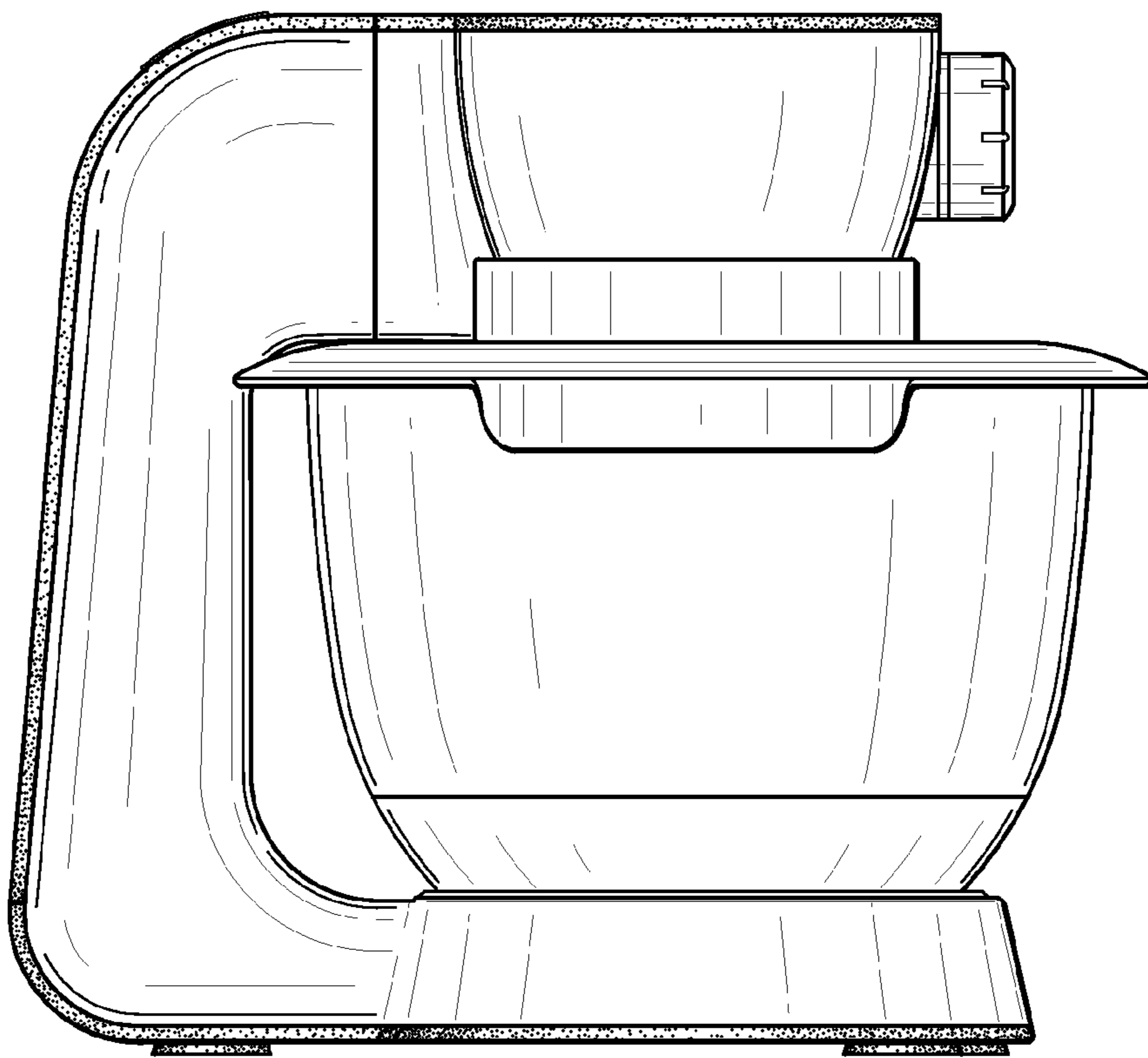


FIG. 16

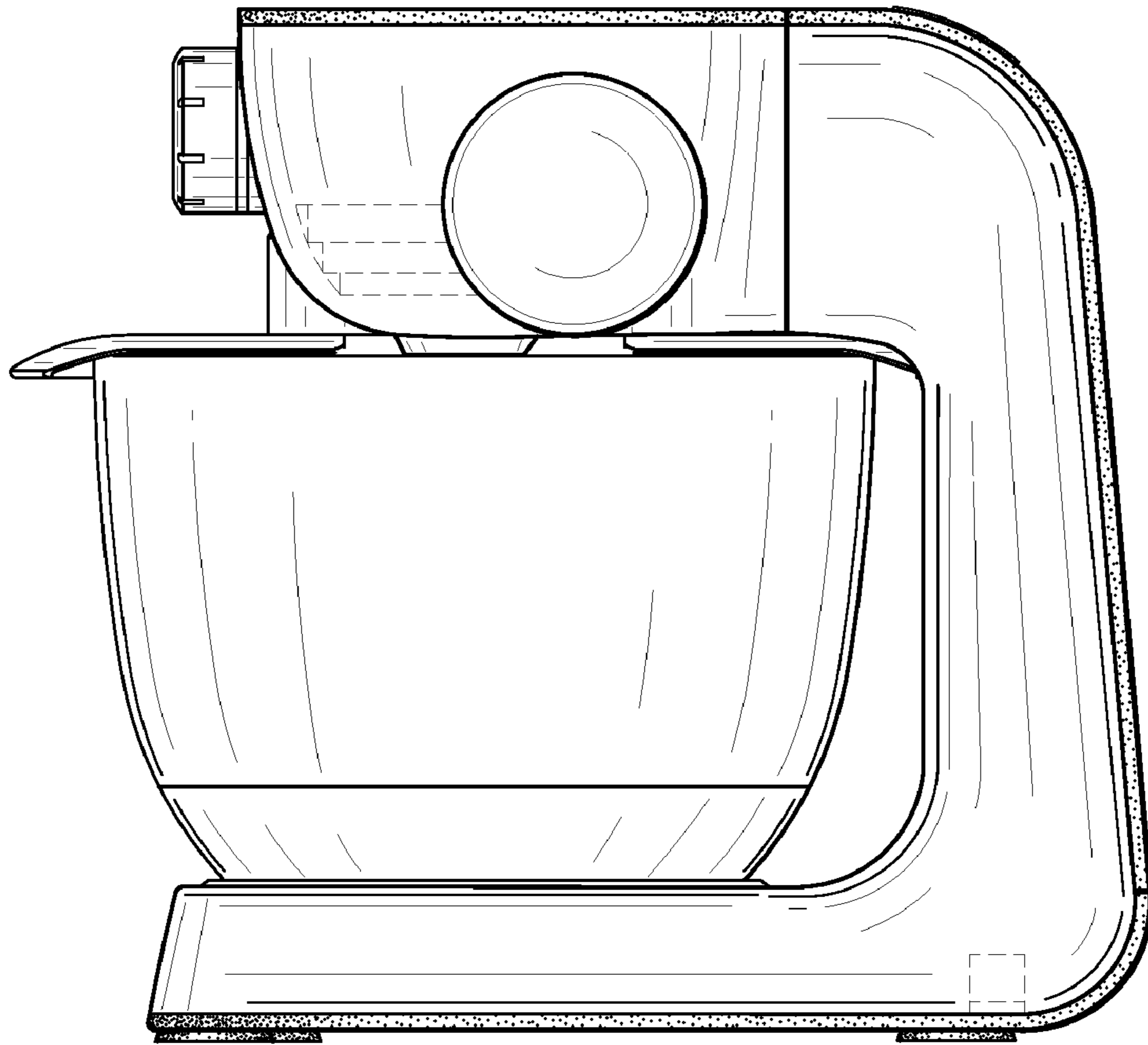


FIG. 17

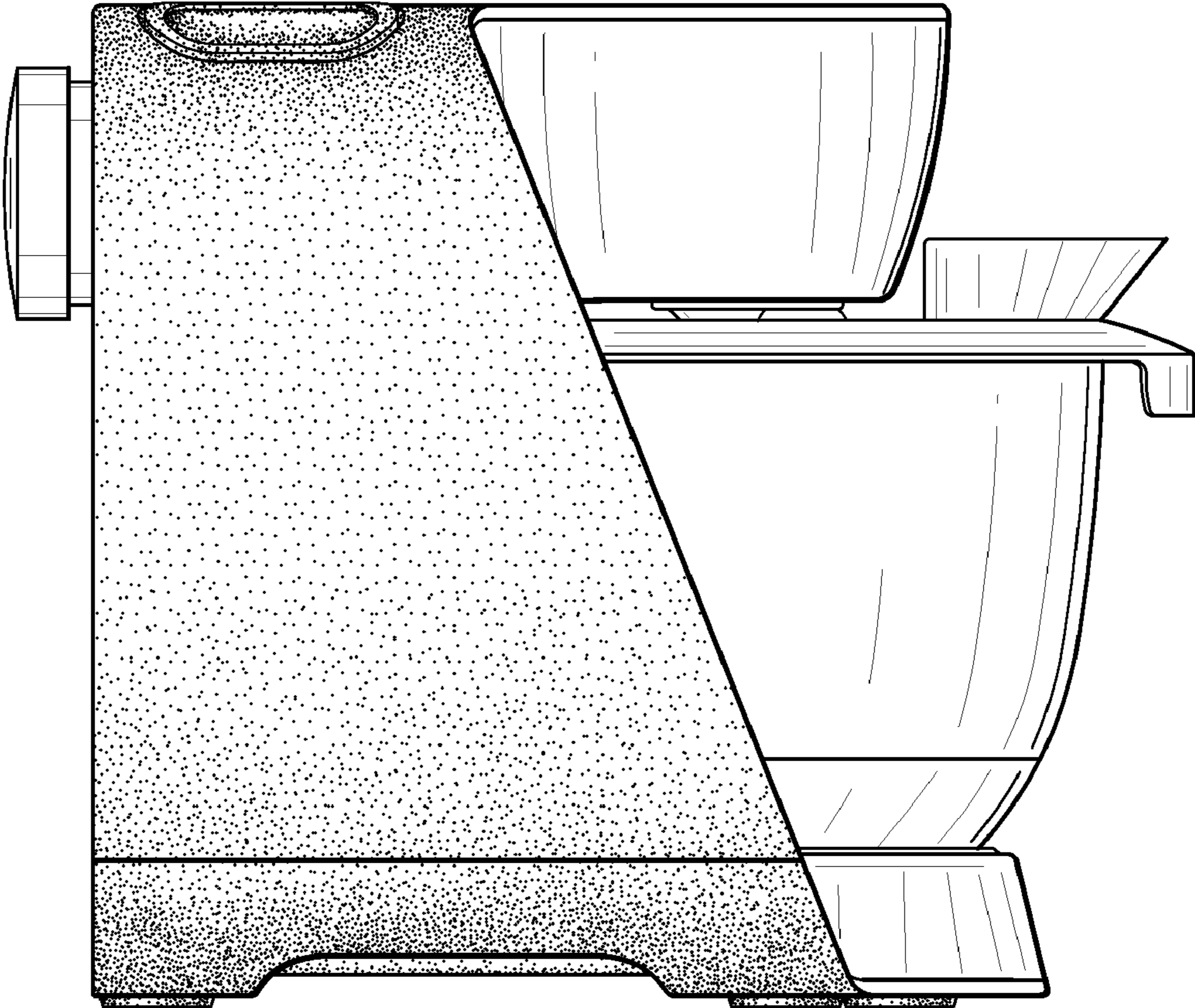


FIG. 18

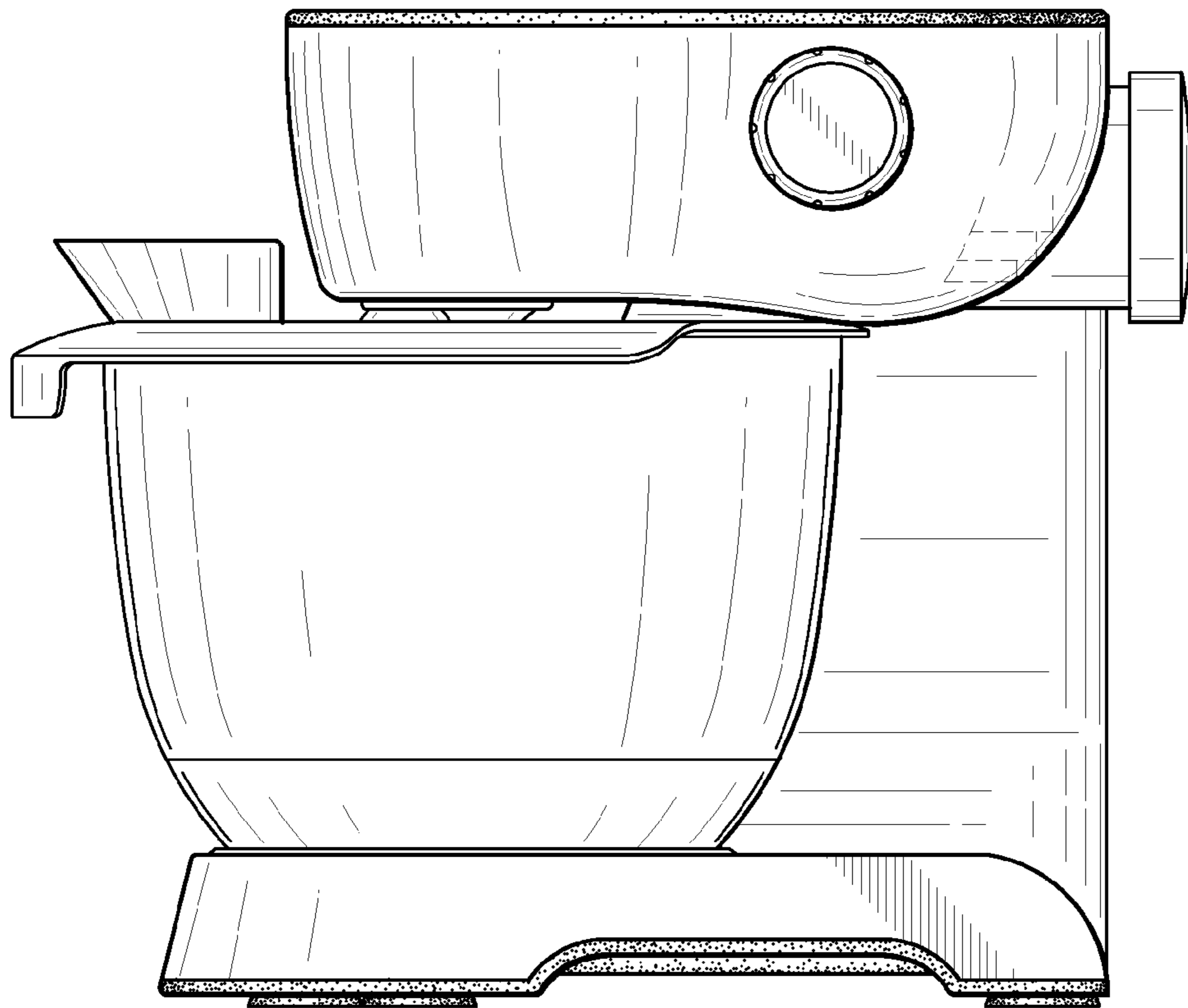


FIG. 19

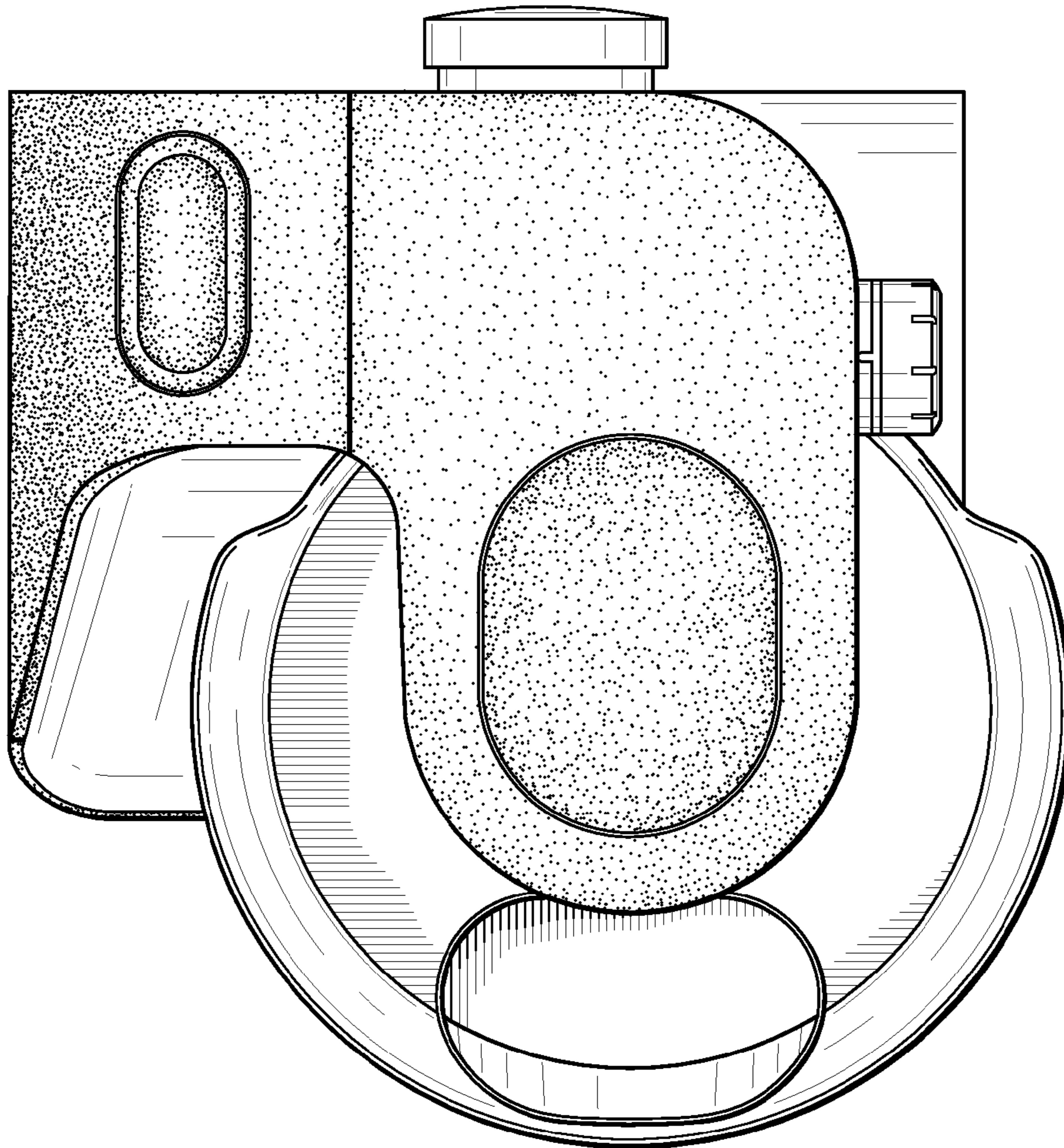


FIG. 20

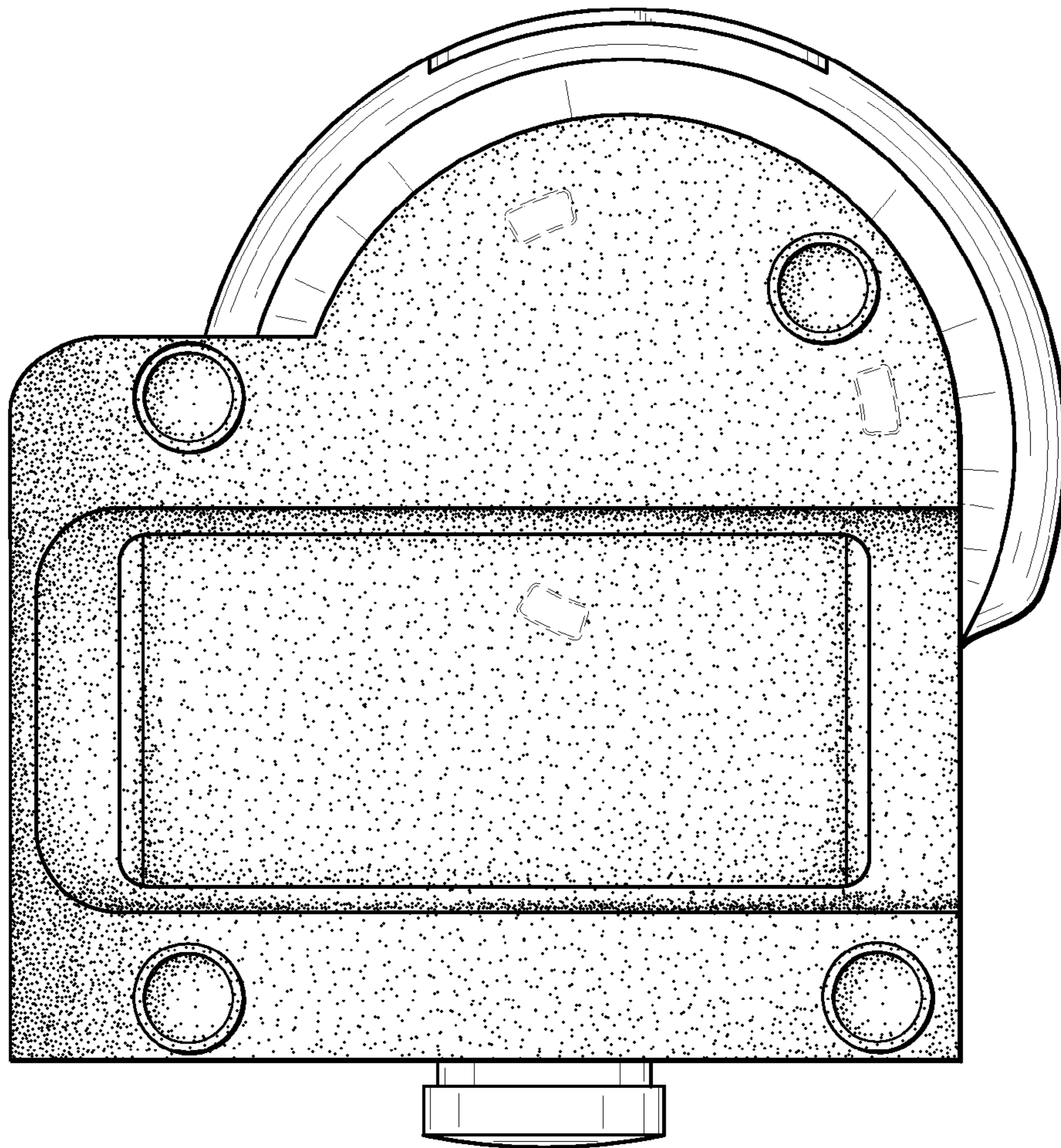


FIG. 21