



US00D633333S

(12) **United States Design Patent**
Sarnoff et al.

(10) **Patent No.:** **US D633,333 S**
(45) **Date of Patent:** **** Mar. 1, 2011**

(54) **PAN AND LID WITH INDENTED HANDLES**

D577,579 S * 9/2008 Lymn et al. D9/426
D590,706 S * 4/2009 Doliwa et al. D9/425
D601,014 S * 9/2009 Petitjean D9/426
D625,180 S * 10/2010 Enriquez D9/425

(75) Inventors: **Norton Sarnoff**, Northbrook, IL (US);
Raj Patel, Zurich, IL (US)

(73) Assignee: **Handi-Foil Corporation**, Wheeling, IL (US)

* cited by examiner

Primary Examiner—Ricky Pham

(**) Term: **14 Years**

(74) *Attorney, Agent, or Firm*—Adam K. Sacharoff; Much Shelist

(21) Appl. No.: **29/377,967**

(57) **CLAIM**

(22) Filed: **Oct. 28, 2010**

The ornamental design for a pan and lid with indented handles, as shown and described.

(51) **LOC (9) Cl.** **07-02**

(52) **U.S. Cl.** **D7/354**

(58) **Field of Classification Search** D3/294–304,
D3/307–309; D7/323, 354–363, 391, 402,
D7/505, 538–545, 554.3–554.4, 560, 585–588,
D7/601–602, 612–615, 629; D9/424–435,
D9/452–456, 737, 760–761; 99/324, 426;
220/4.22, 23.2–23.6, 573.1–573.3, 574–575,
220/657, 780–806, 912; 249/117, 121–122,
249/126

DESCRIPTION

See application file for complete search history.

FIG. 1 is a top side perspective view of a pan and lid with indented handles in accordance with the invention shown;

FIG. 2 is a left side view of the pan and lid with indented handles from FIG. 1;

FIG. 3 is a right side view of the pan and lid with indented handles from FIG. 1;

FIG. 4 is a front side view of the pan and lid with indented handles from FIG. 1;

FIG. 5 is a back side view of the pan and lid with indented handles from FIG. 1;

FIG. 6 is a top plan view of the pan and lid with indented handles from FIG. 1; and,

FIG. 7 is a bottom plan view of the pan and lid with indented handles from FIG. 1.

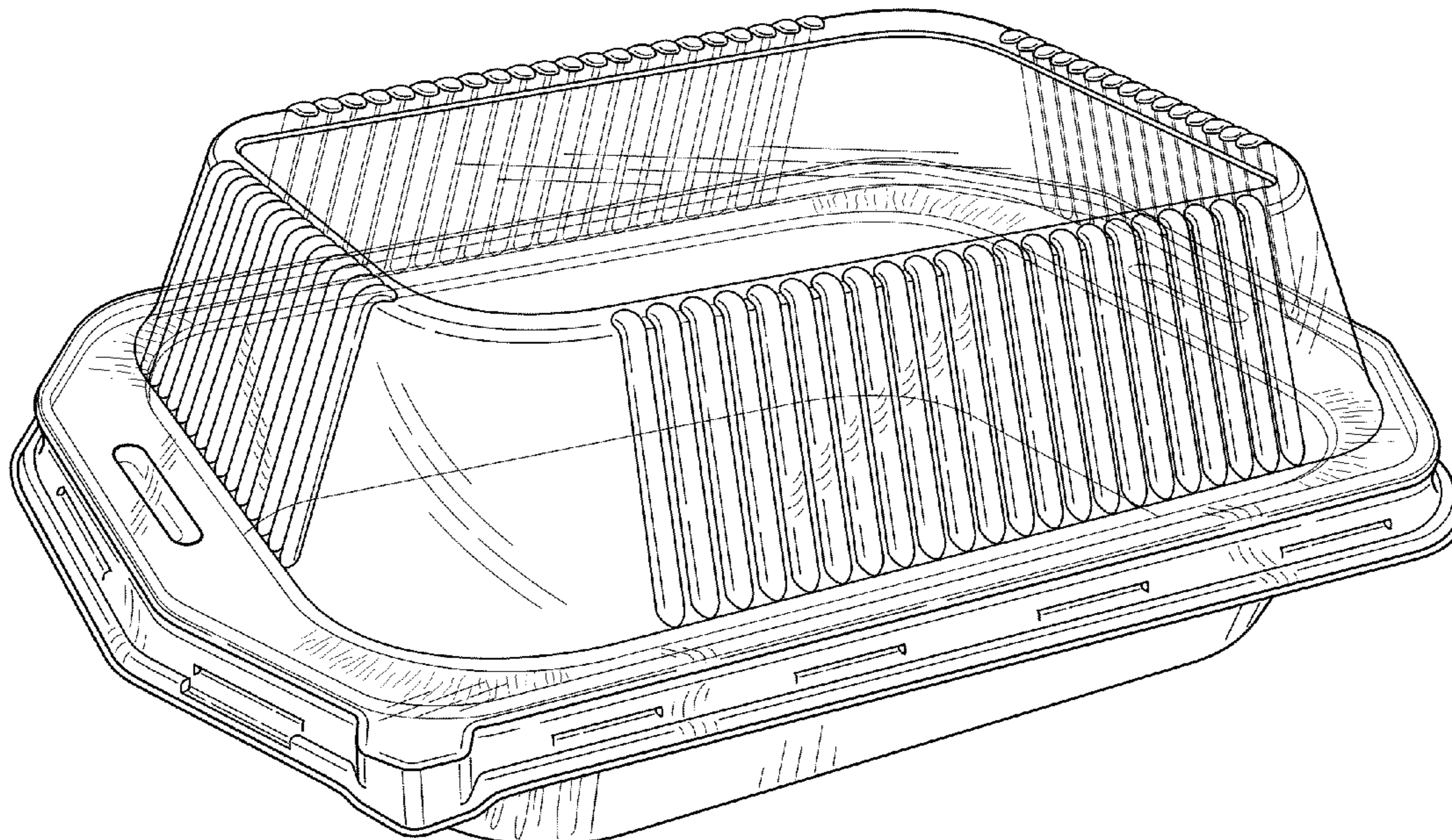
The broken lines showing are for the purpose of illustrating surface lines and forms no part of the claimed design.

(56) **References Cited**

U.S. PATENT DOCUMENTS

D305,409 S * 1/1990 Michaud et al. D9/759
5,046,659 A * 9/1991 Warburton 220/4.22
D339,744 S * 9/1993 Seppala D9/425
D407,015 S * 3/1999 Jones D9/426
D479,954 S * 9/2003 Kim D7/629
D513,383 S * 1/2006 Glander et al. D9/435
D536,992 S * 2/2007 Garg et al. D9/737
D551,975 S * 10/2007 Gomoll et al. D9/452
D553,490 S * 10/2007 Yang D9/425

1 Claim, 5 Drawing Sheets



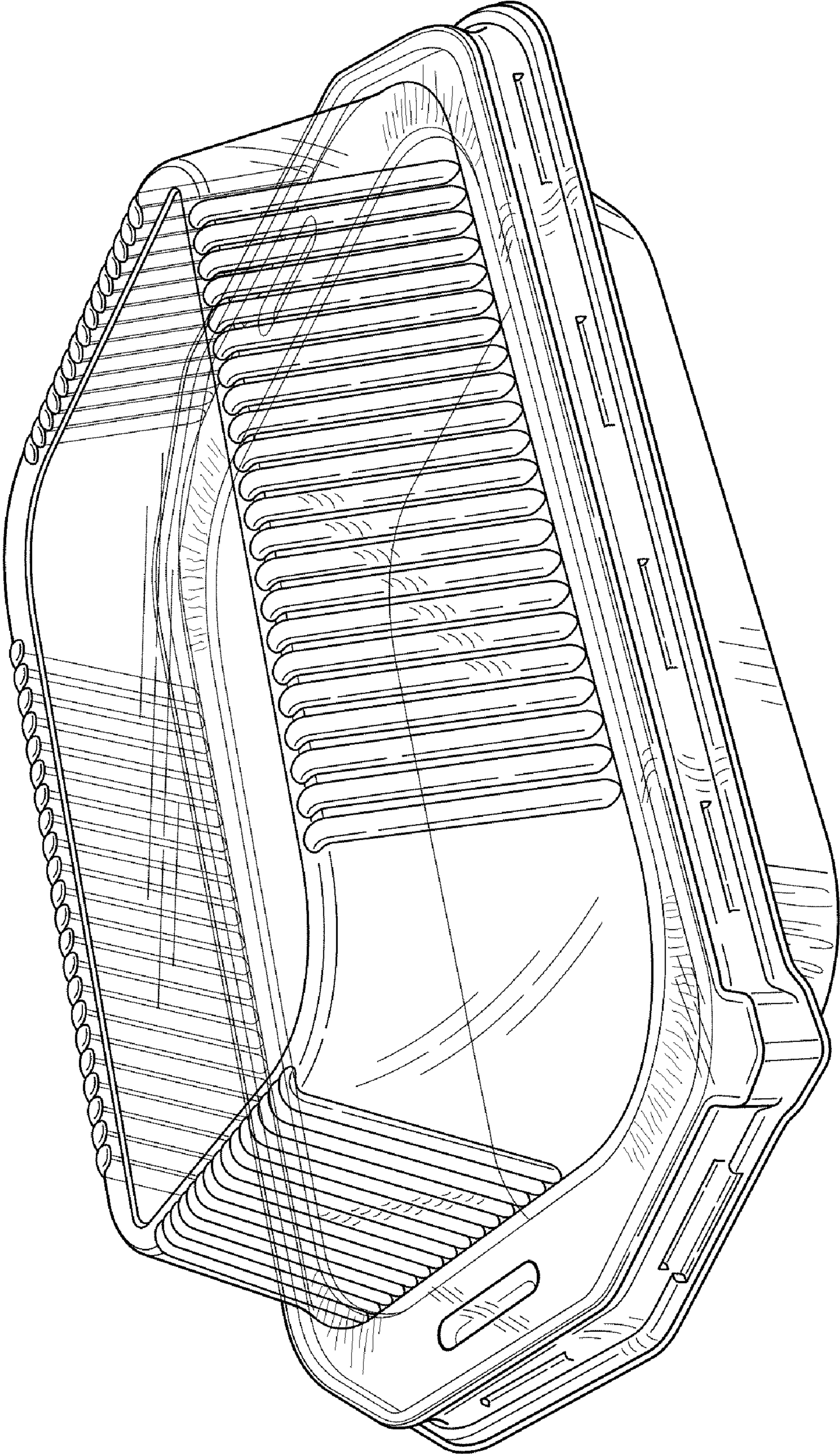


FIG. 1

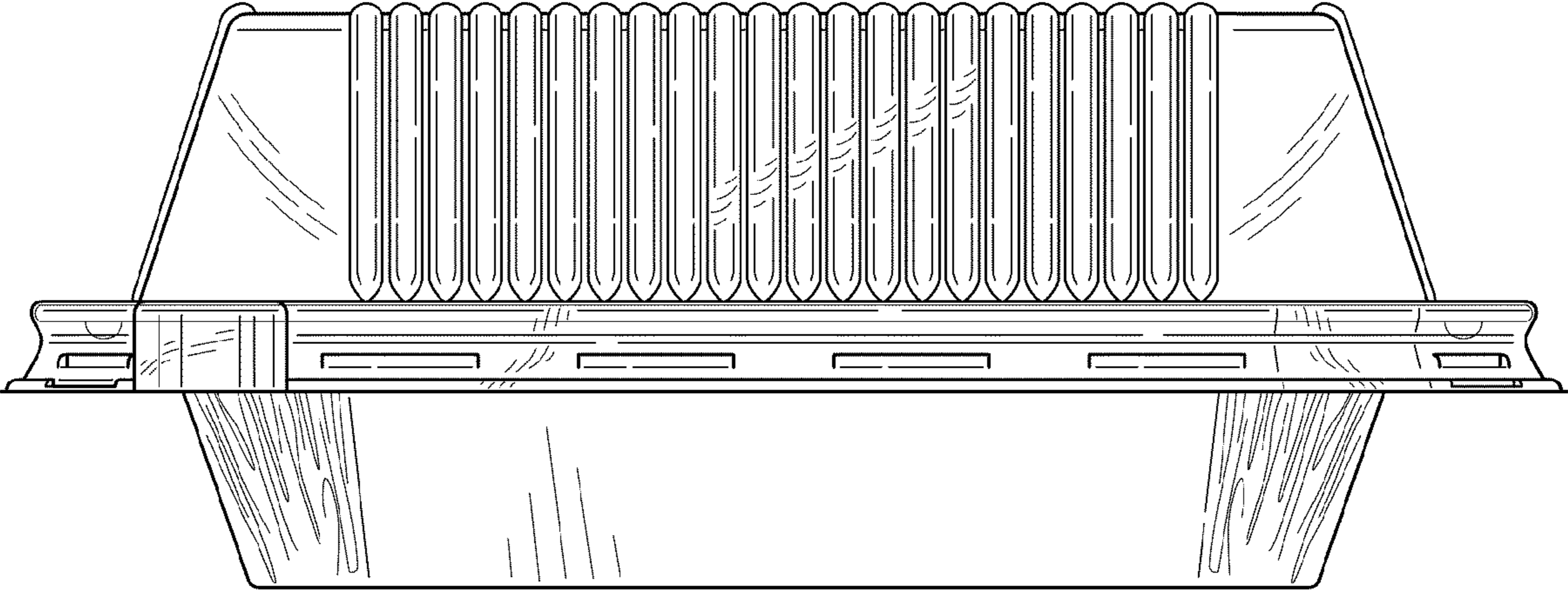


FIG. 2

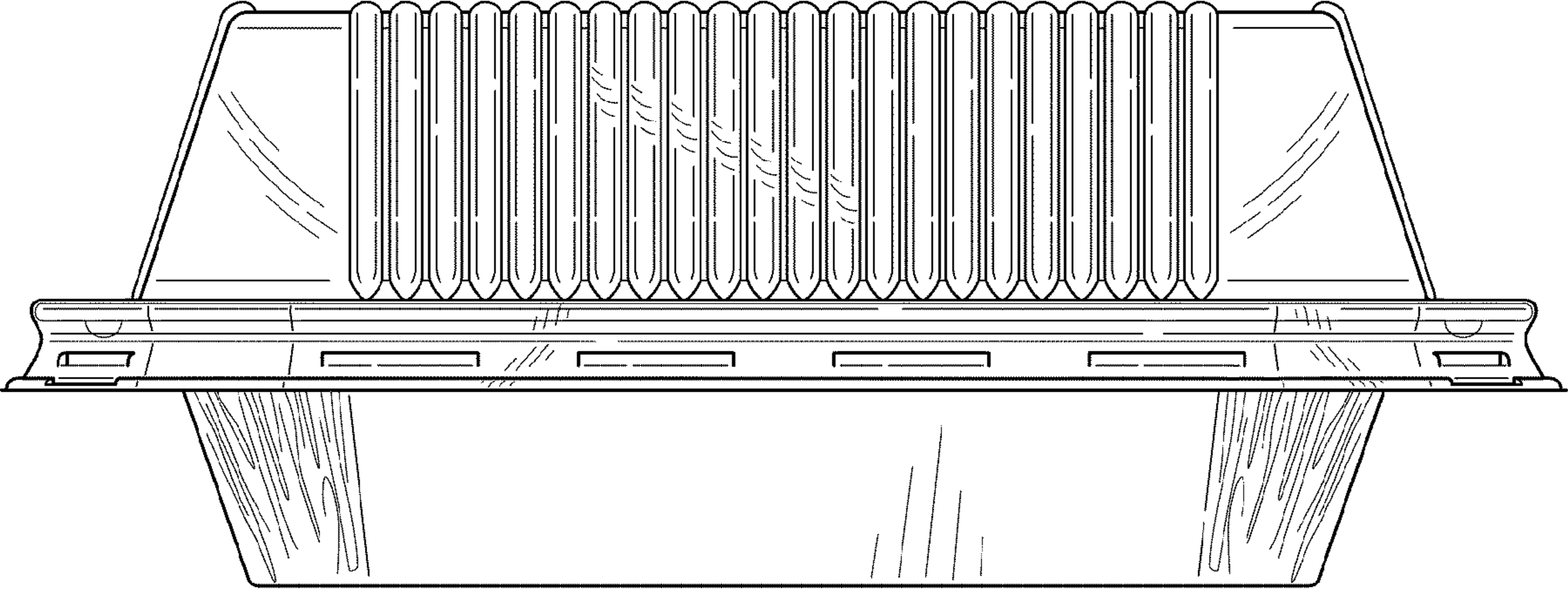


FIG. 3

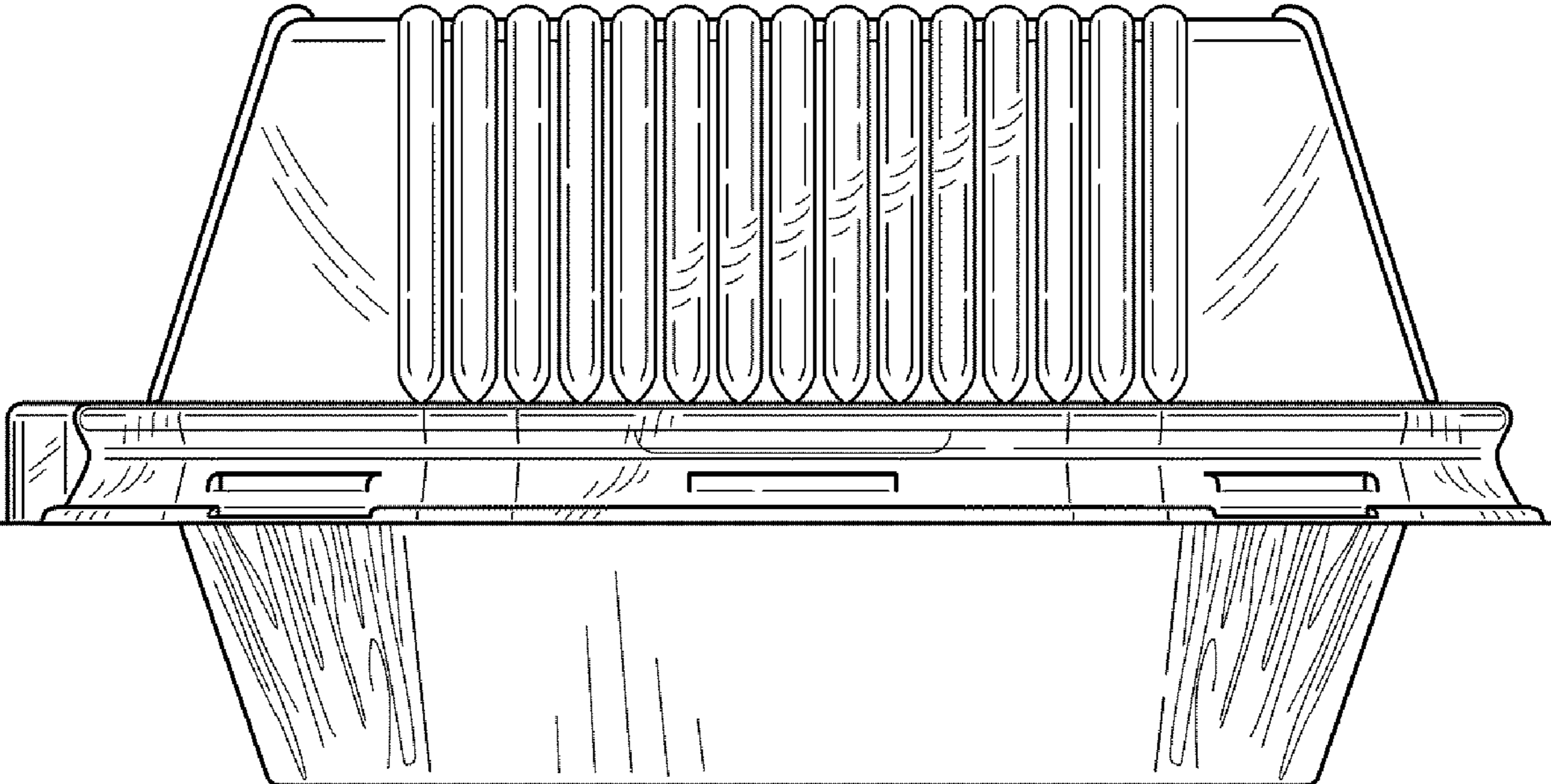


FIG. 4

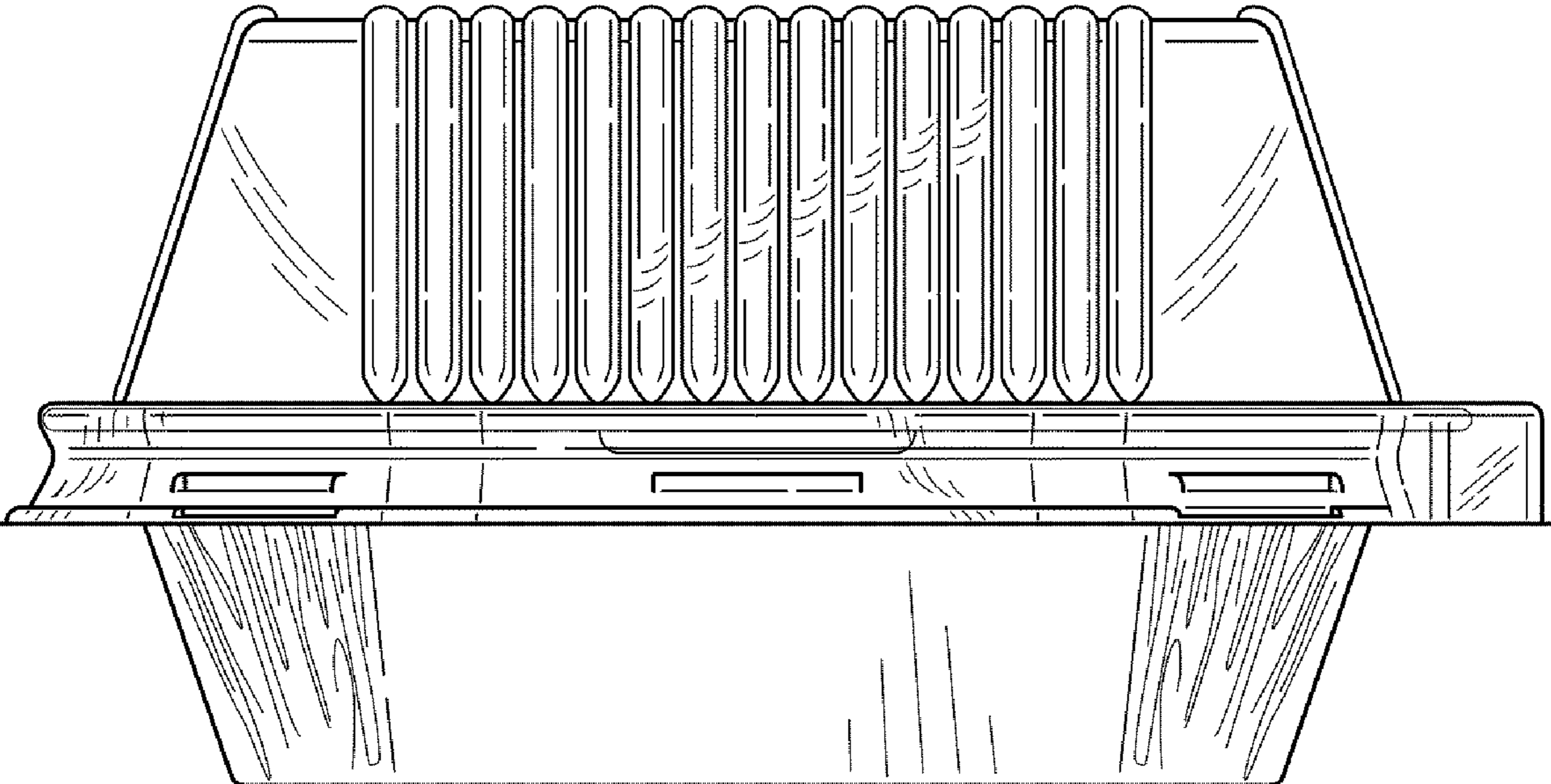


FIG. 5

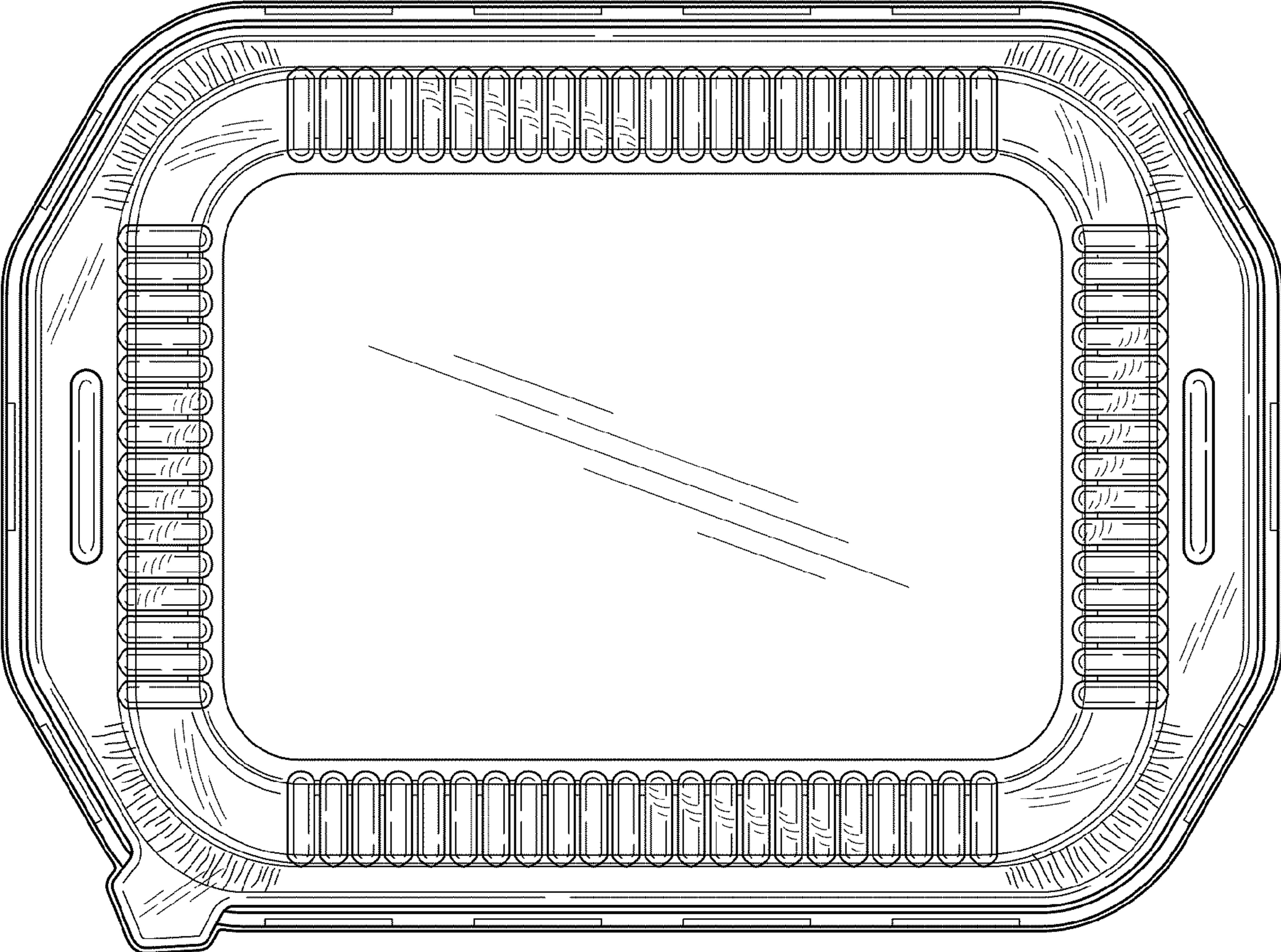


FIG. 6

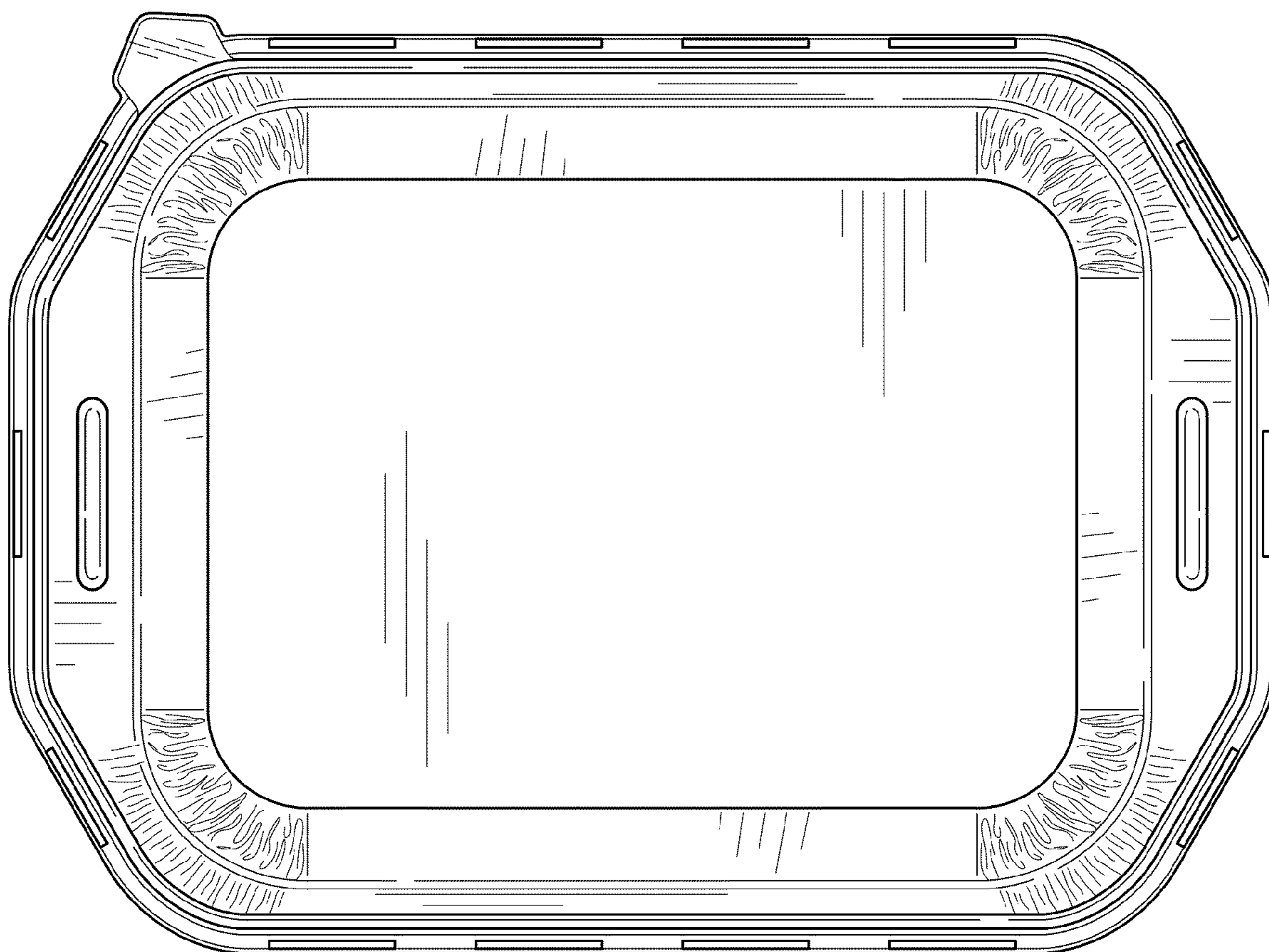


FIG. 7