



US00D63332S

(12) **United States Design Patent**
Sarnoff et al.

(10) **Patent No.:** **US D633,332 S**
(45) **Date of Patent:** **** Mar. 1, 2011**

(54) **PAN AND LID**

(75) Inventors: **Norton Sarnoff**, Northbrook, IL (US);
Raj Patel, Zurich, IL (US)

(73) Assignee: **Handi-Foil Corporation**, Wheeling, IL (US)

(**) Term: **14 Years**

(21) Appl. No.: **29/377,903**

(22) Filed: **Oct. 27, 2010**

(51) **LOC (9) Cl.** **07-02**

(52) **U.S. Cl.** **D7/354**

(58) **Field of Classification Search** D3/294-304,
D3/307-309; D7/323, 354-363, 391, 402,
D7/505, 538-545, 554.3-554.4, 560, 585-588,
D7/601-602, 612-615, 629; D9/424-435,
D9/452-456, 760-761; 99/324, 426; 220/4.22,
220/23.2-23.6, 573.1-573.3, 574-575, 657,
220/780-806, 912; 249/117, 121-122, 126
See application file for complete search history.

(56) **References Cited**

U.S. PATENT DOCUMENTS

D276,216 S *	11/1984	Michaud	D9/425
D298,791 S *	12/1988	Holzkopf	D7/542
D305,409 S *	1/1990	Michaud et al.	D9/759
5,046,659 A *	9/1991	Warburton	220/4.22
D339,744 S *	9/1993	Seppala	D9/425
D348,608 S *	7/1994	Wyslotsky	D9/425

D407,015 S *	3/1999	Jones	D9/426
D513,383 S *	1/2006	Glander et al.	D9/435
D551,975 S *	10/2007	Gomoll et al.	D9/452
D553,490 S *	10/2007	Yang	D9/425
D590,706 S *	4/2009	Doliwa et al.	D9/425
D601,013 S *	9/2009	Petitjean	D9/426
D625,180 S *	10/2010	Enriquez	D9/425

* cited by examiner

Primary Examiner—Ricky Pham

(74) *Attorney, Agent, or Firm*—Adam K. Sacharoff; Much Shelist

(57) **CLAIM**

The ornamental design for a pan and lid, as shown and described.

DESCRIPTION

FIG. 1 is a top side perspective view of a pan and lid in accordance with the invention shown;

FIG. 2 is a left side view of the pan and lid from FIG.1;

FIG. 3 is a right side view of the pan and lid from FIG. 1;

FIG. 4 is a front side view of the pan and lid from FIG. 1;

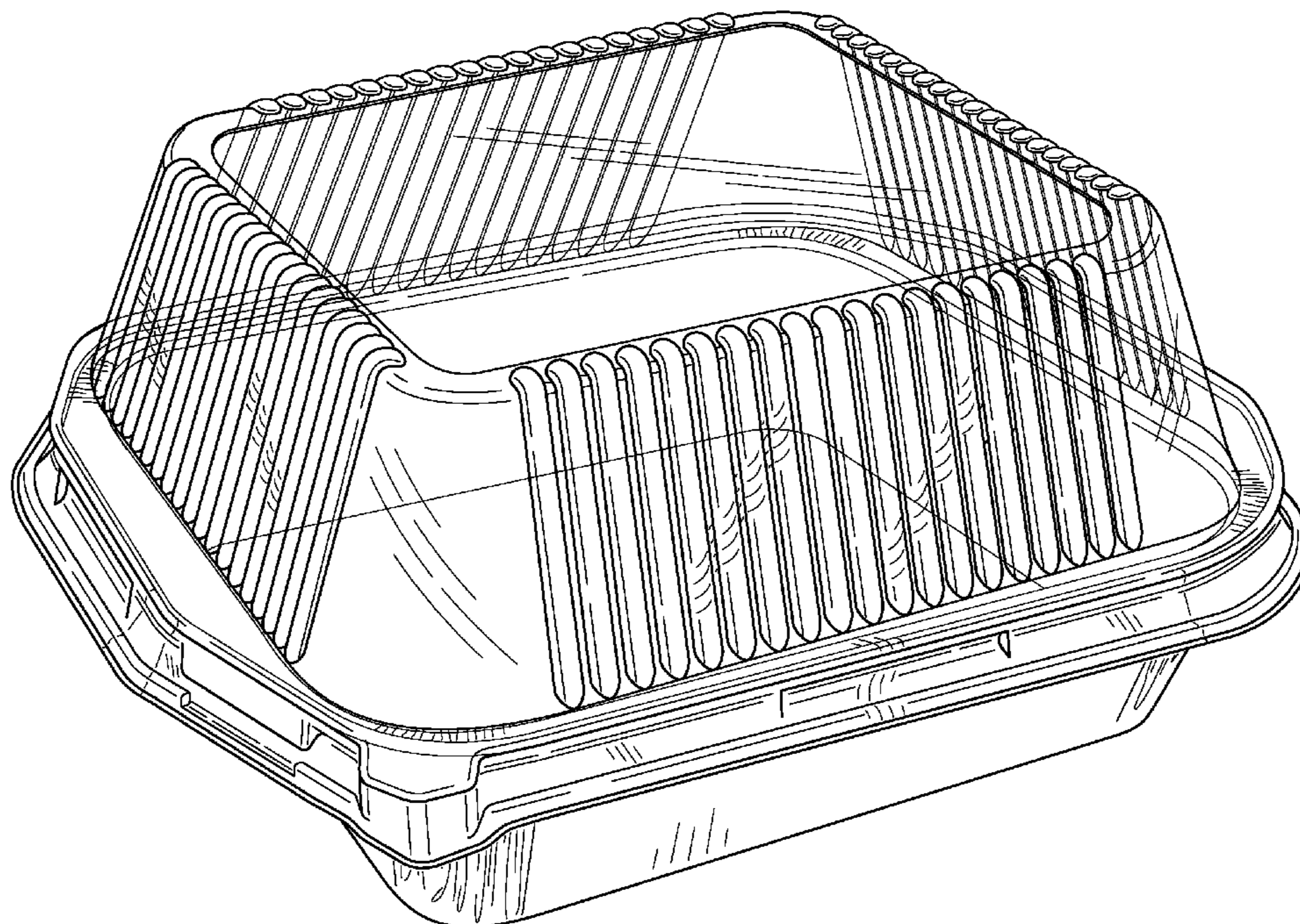
FIG. 5 is a back side view of the pan and lid from FIG. 1;

FIG. 6 is a top plan view of the pan and lid from FIG. 1; and,

FIG. 7 is a bottom plan view of the pan and lid from FIG. 1.

The broken lines showing are for the purpose of illustrating surface lines and forms no part of the claimed design.

1 Claim, 5 Drawing Sheets



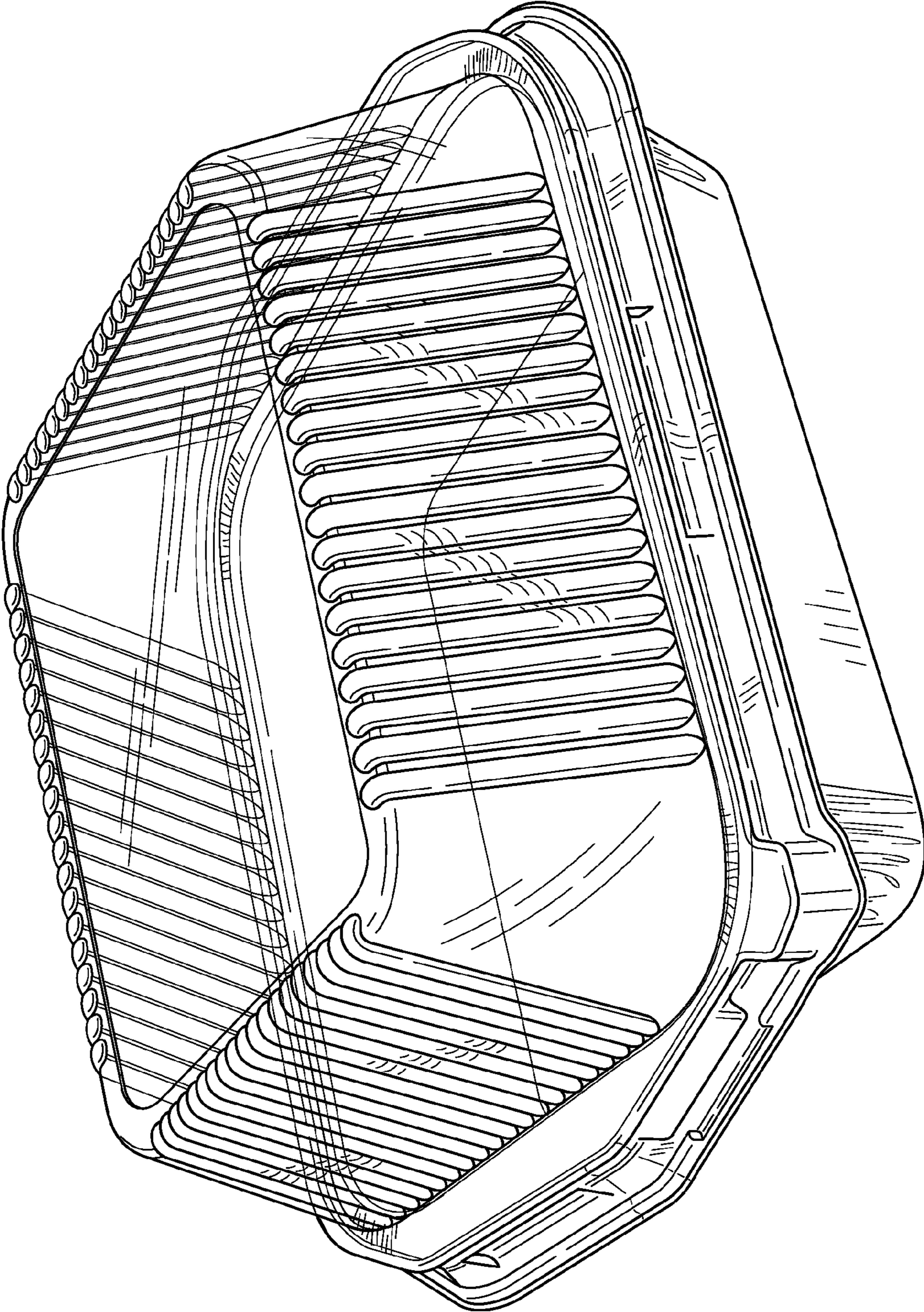


FIG. 1

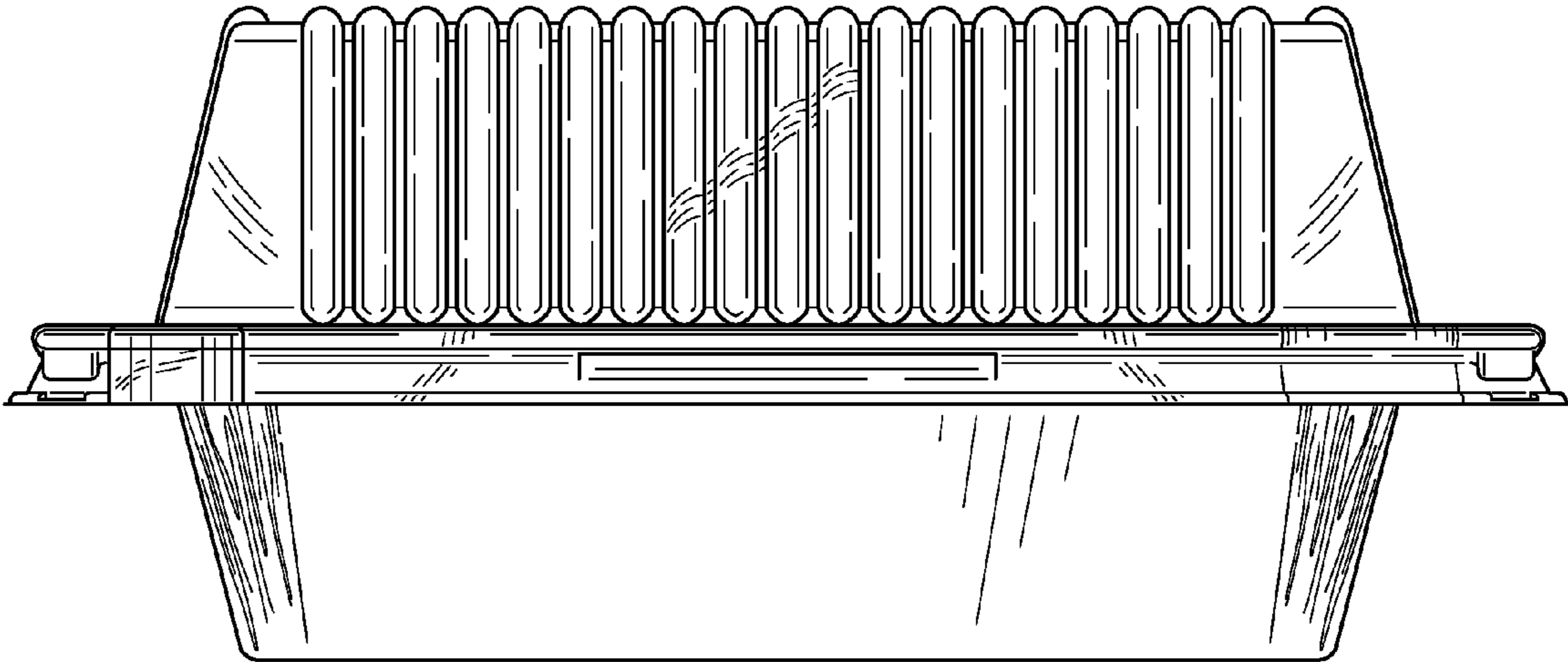


FIG. 2

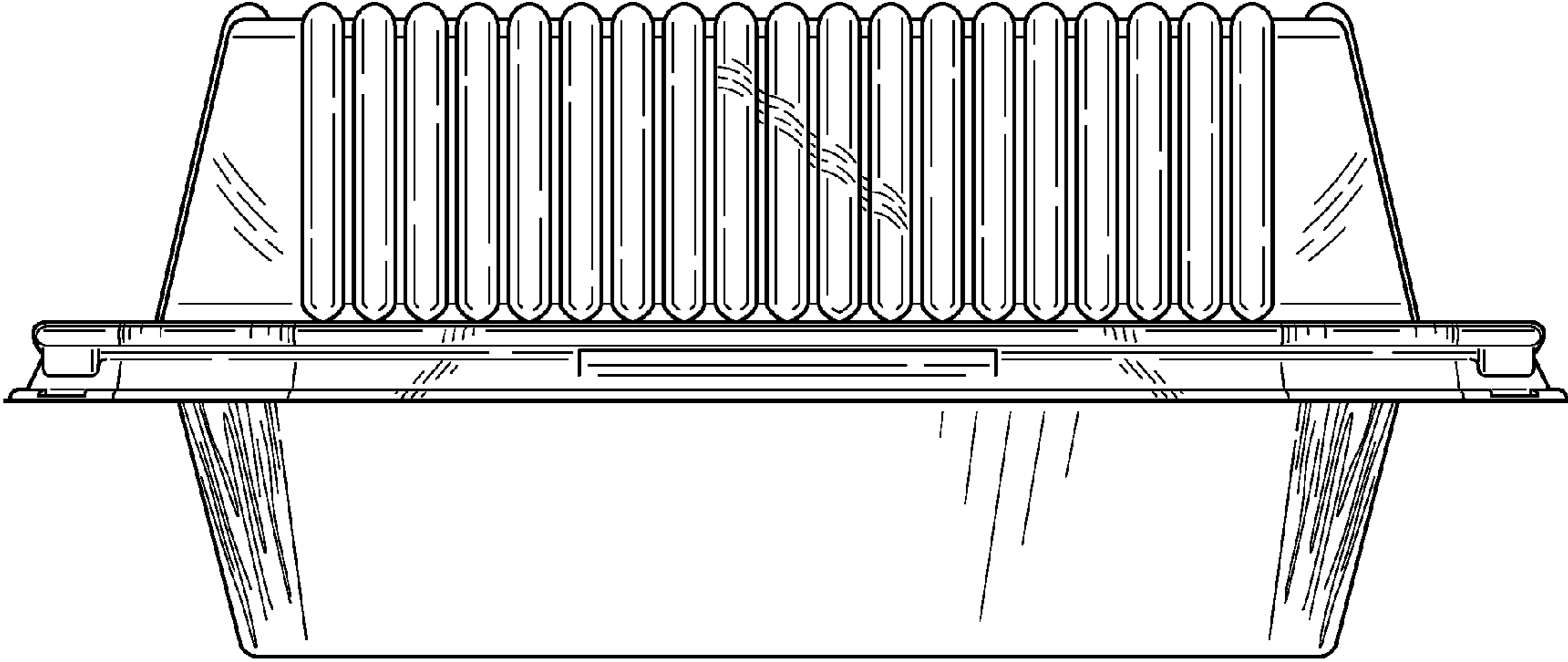


FIG. 3

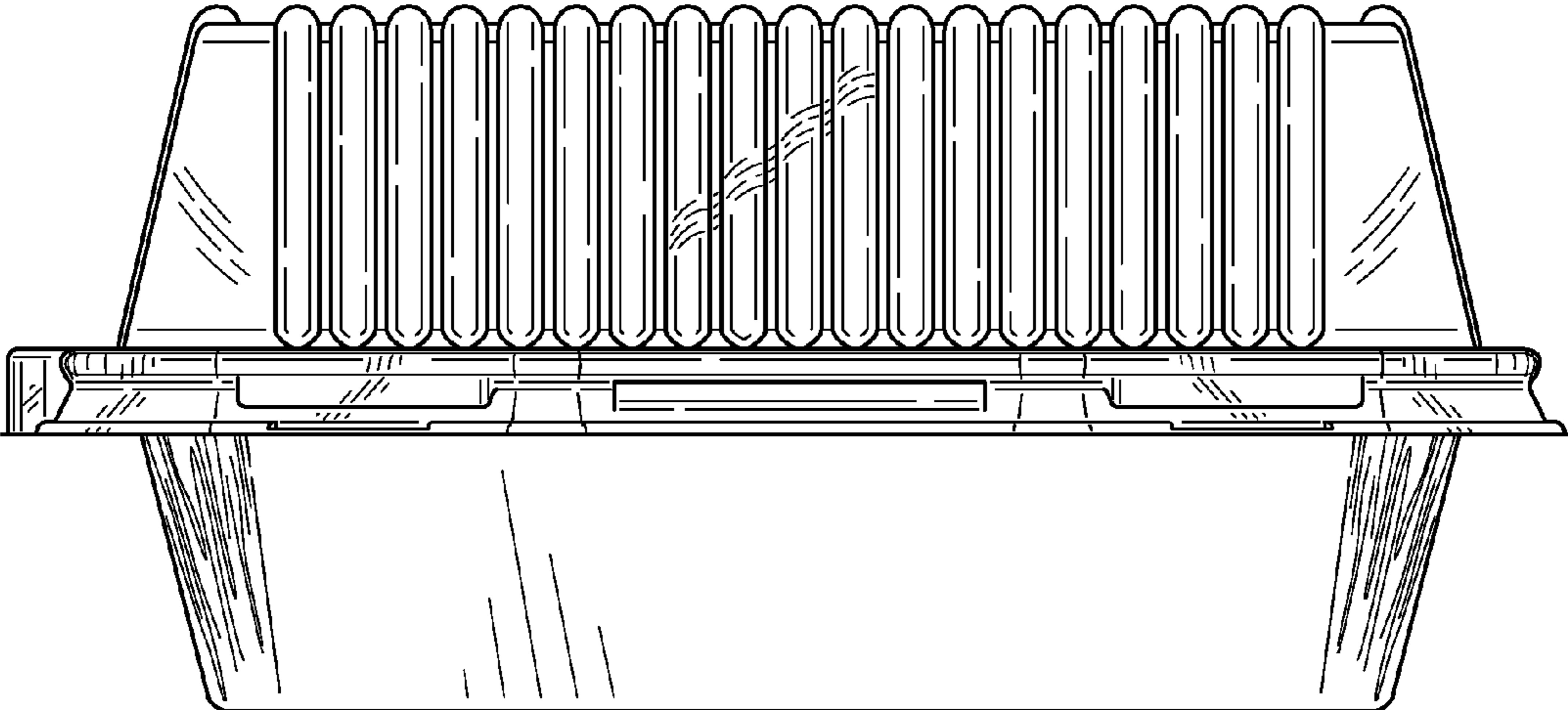


FIG. 4

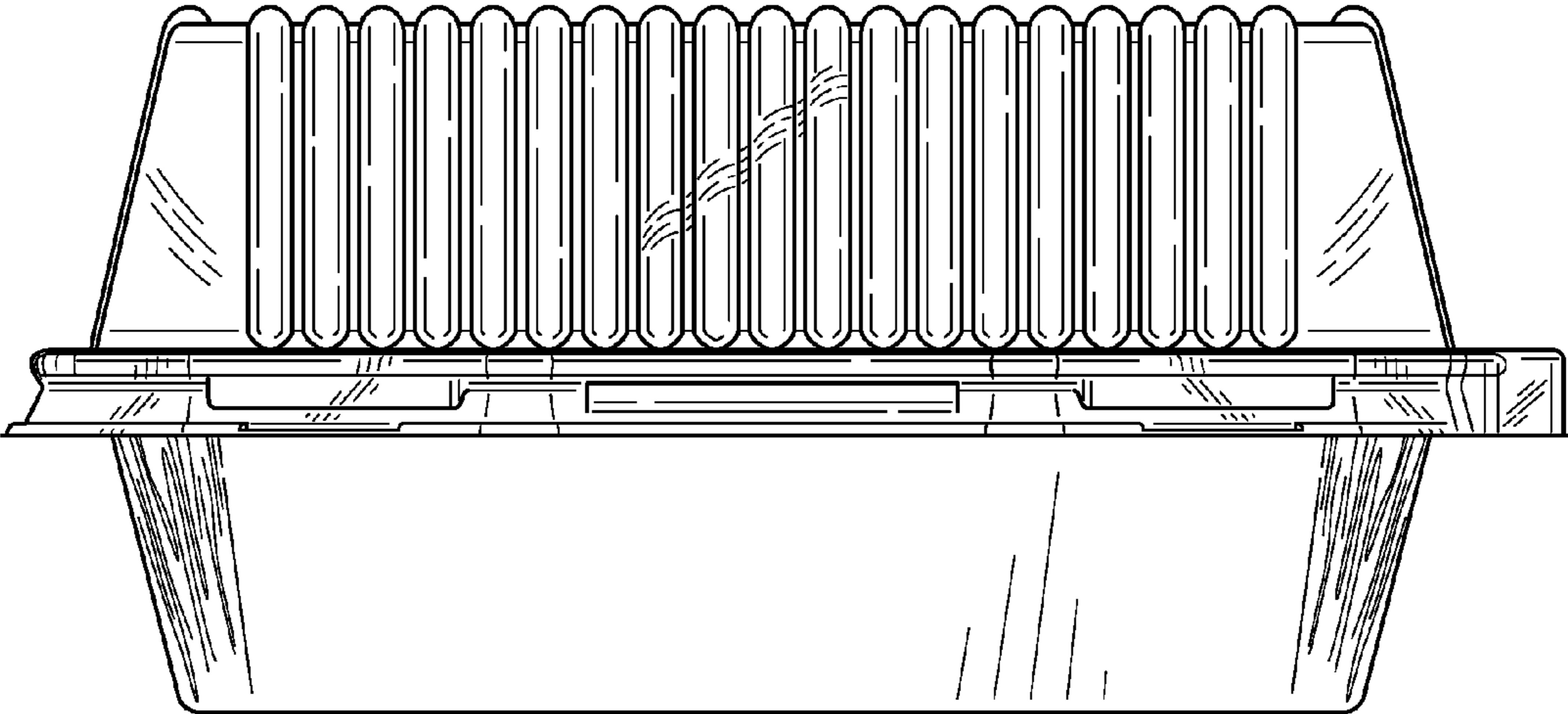


FIG. 5

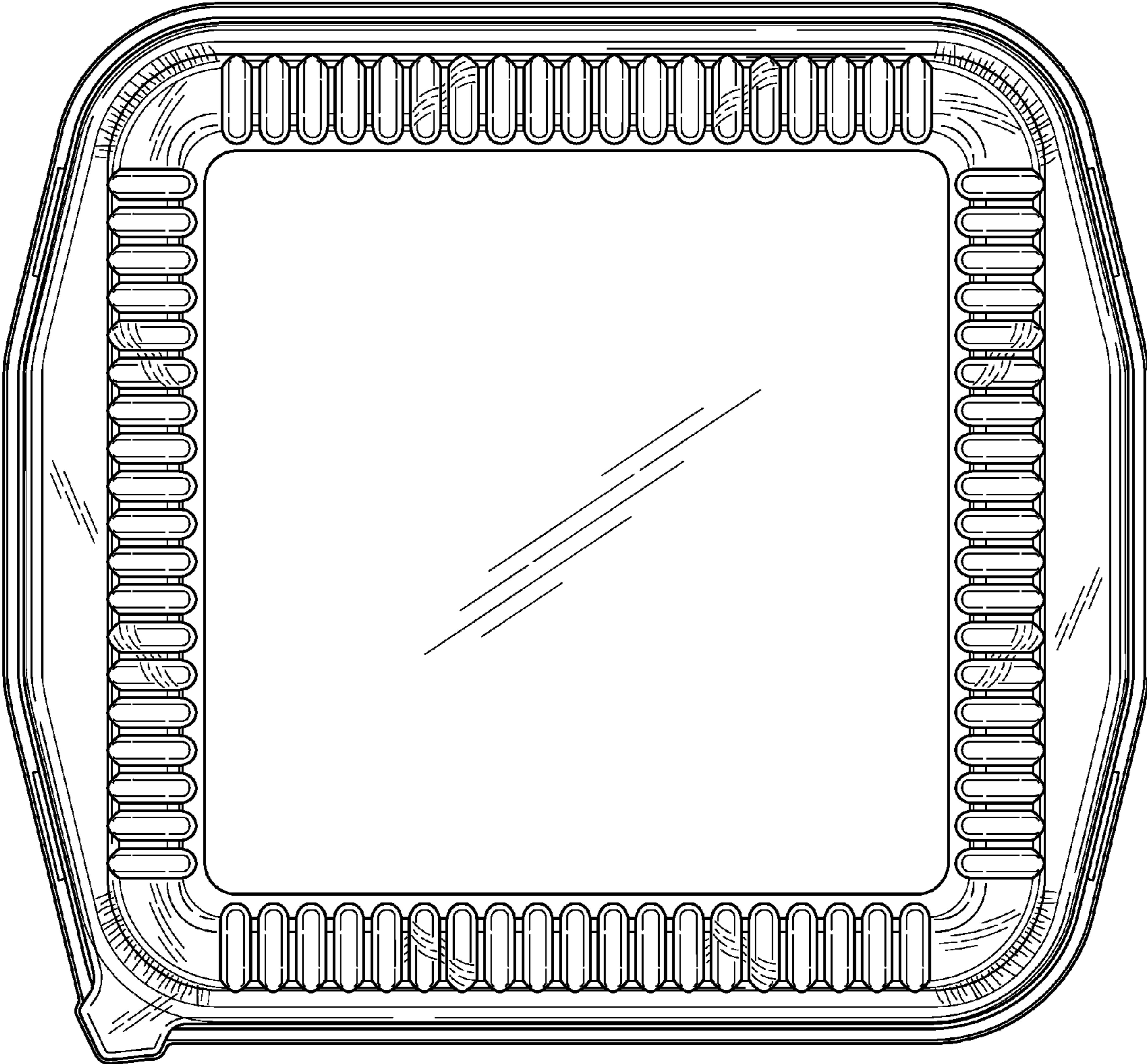


FIG. 6

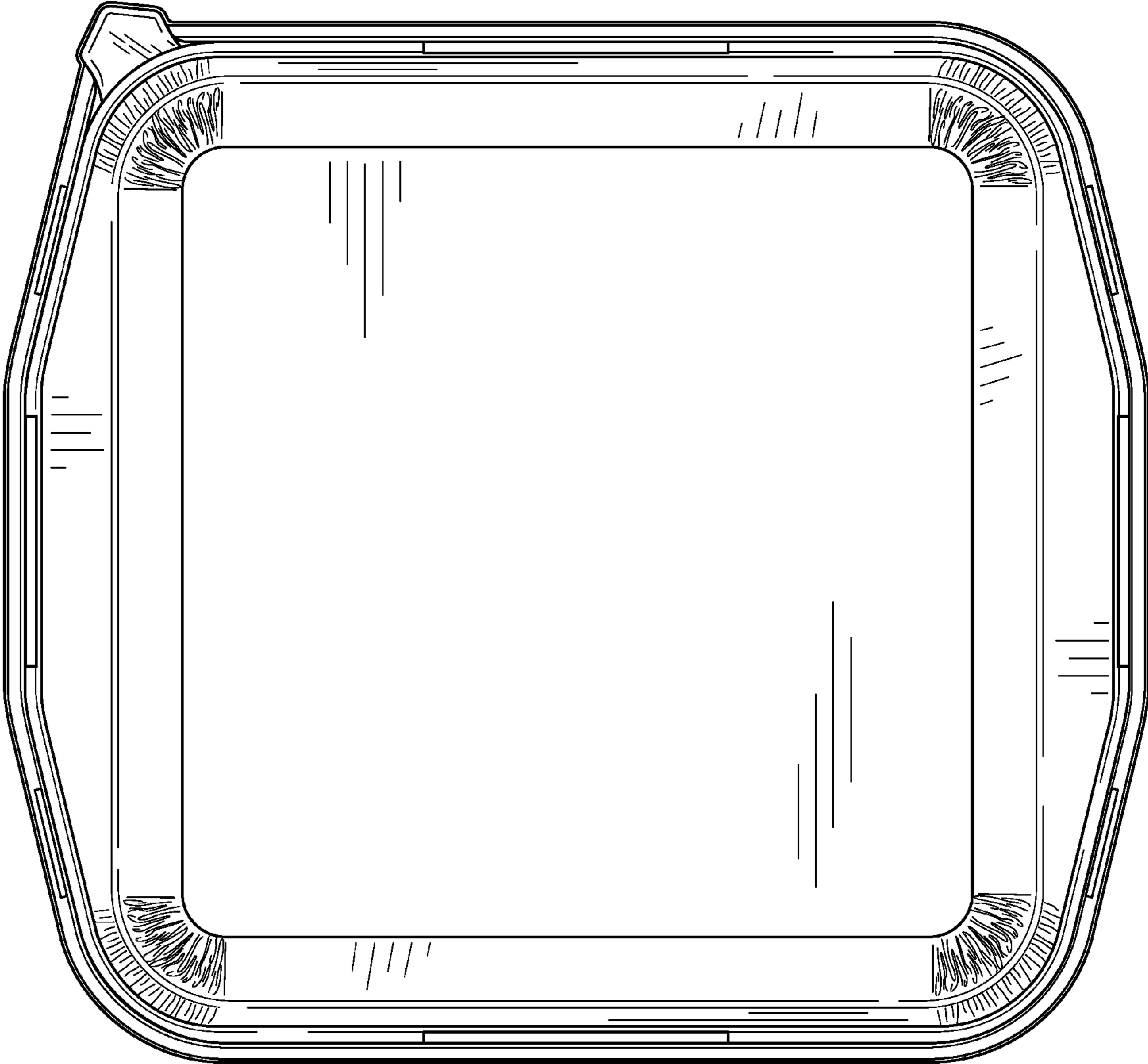


FIG. 7