



US00D633330S

(12) **United States Design Patent**
Baek et al.

(10) **Patent No.:** **US D633,330 S**
(45) **Date of Patent:** **** Mar. 1, 2011**

(54) **MICROWAVE OVEN**

(75) Inventors: **Byung Kook Baek**, Kyungki-Do (KR);
Jung Kyung Kwack, Seoul (KR)

(73) Assignee: **Samsung Electronics Co., Ltd.**, Suwon (KR)

(**) Term: **14 Years**

(21) Appl. No.: **29/357,920**

(22) Filed: **Mar. 19, 2010**

(51) **LOC (9) Cl.** **07-02**

(52) **U.S. Cl.** **D7/351**

(58) **Field of Classification Search** D7/350.1,
D7/350.3, 350.4, 351, 405; 219/756, 757,
219/758, 391; 126/19 M, 21 A, 275 E, 275 R;
99/352

See application file for complete search history.

(56) **References Cited**

U.S. PATENT DOCUMENTS

D439,468 S * 3/2001 Kim D7/351
D442,820 S * 5/2001 Kim D7/351
D442,821 S * 5/2001 Naganuma D7/351
D452,410 S * 12/2001 Ichimura D7/351
D476,521 S * 7/2003 Fukuda et al. D7/351

D532,645 S * 11/2006 Lee D7/351
D562,056 S * 2/2008 Kim D7/351
D562,057 S * 2/2008 Kim D7/351
D576,834 S * 9/2008 Shin et al. D7/351
D583,614 S * 12/2008 Chung et al. D7/351
D607,264 S * 1/2010 Lee D7/351

* cited by examiner

Primary Examiner—Ruth McInroy

(74) *Attorney, Agent, or Firm*—Ladas & Parry LLP

(57) **CLAIM**

We claim the ornamental design for a microwave oven, as shown.

DESCRIPTION

FIG. 1 is a top, front and right side perspective view of a microwave oven showing my new design;

FIG. 2 is a front elevational view thereof;

FIG. 3 is a rear elevational view thereof;

FIG. 4 is a left side elevational view thereof;

FIG. 5 is a right side elevational view thereof;

FIG. 6 is a top plan view thereof; and,

FIG. 7 is a bottom plan view thereof.

1 Claim, 4 Drawing Sheets

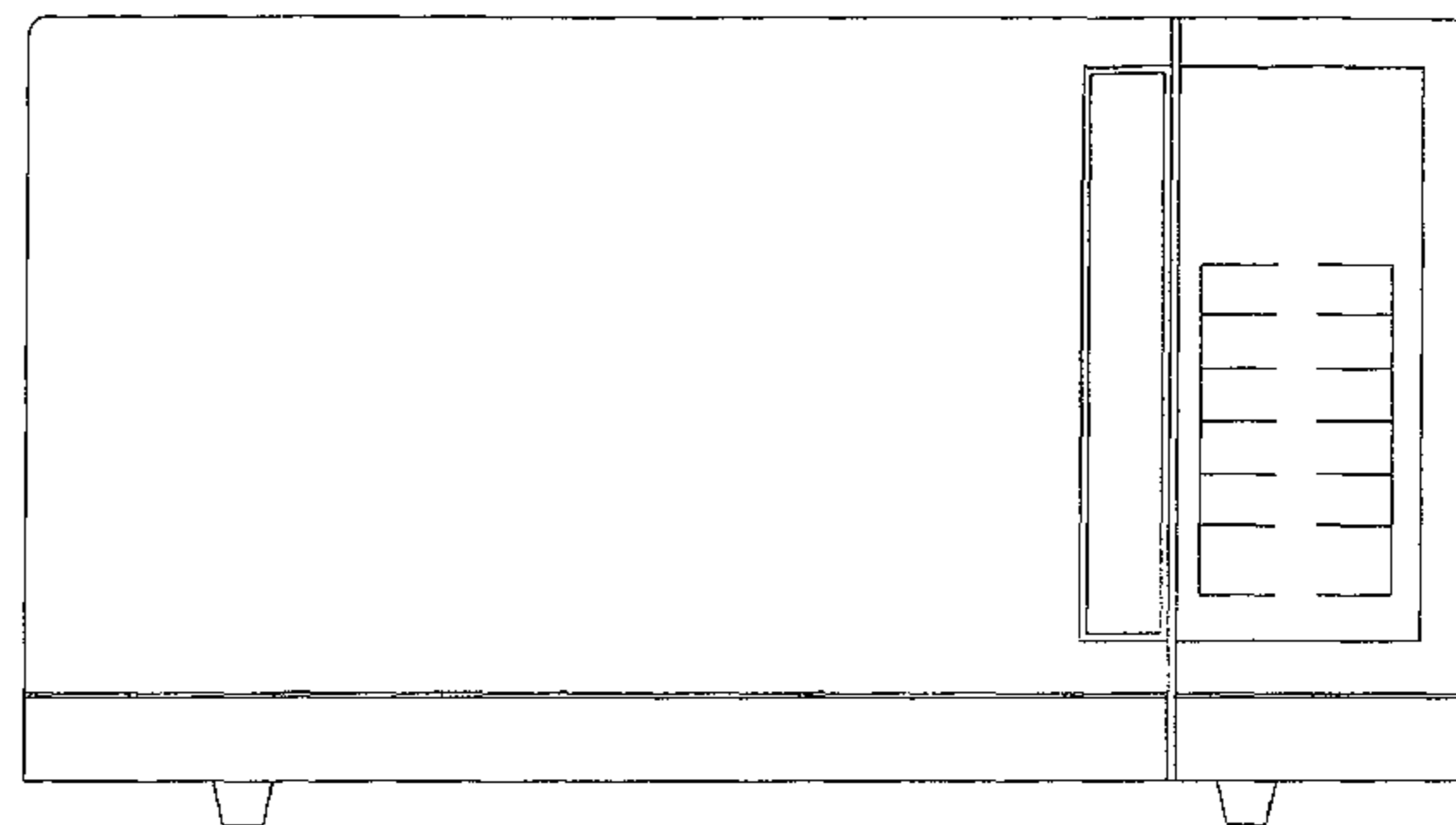
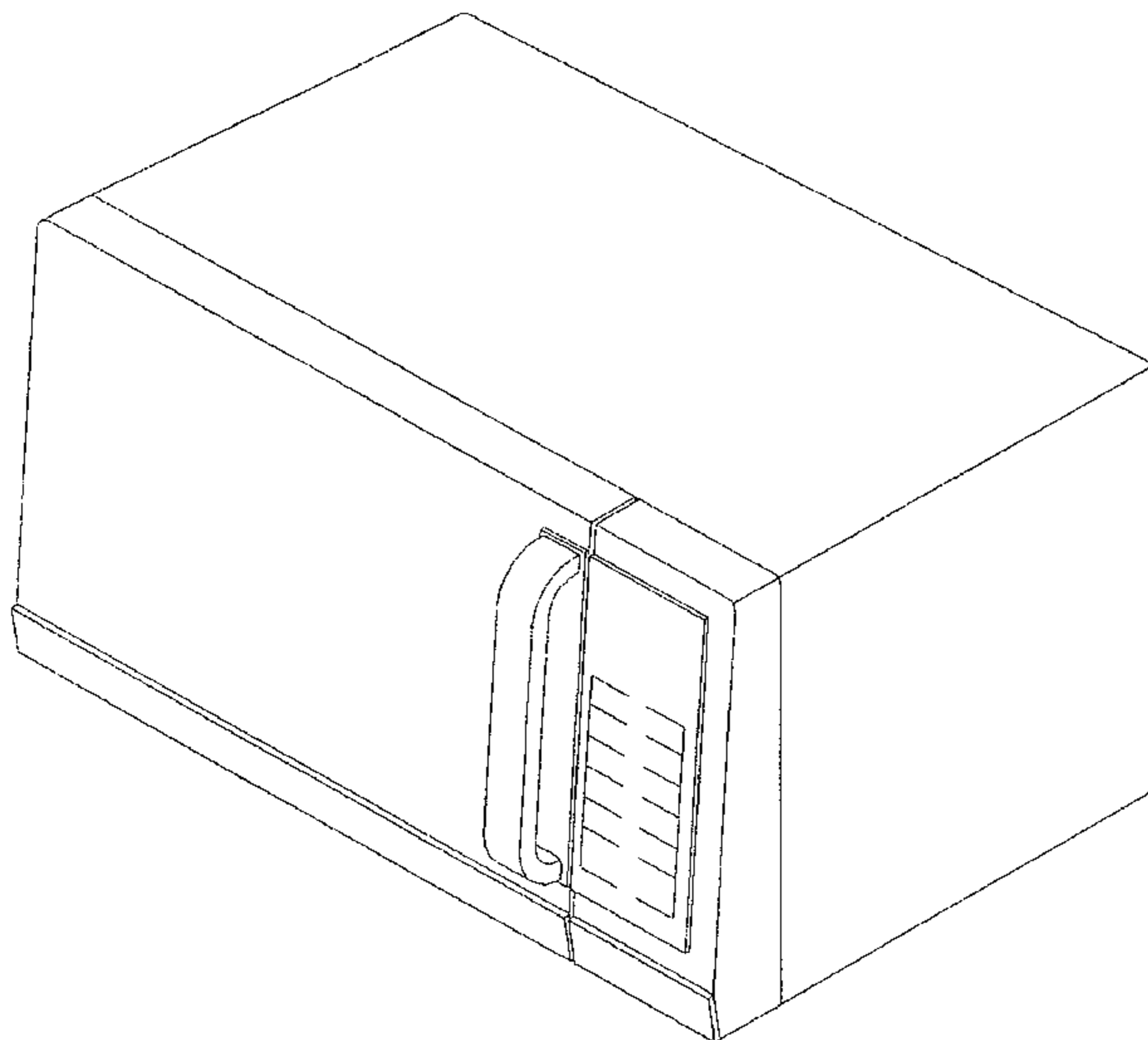


FIG. 1

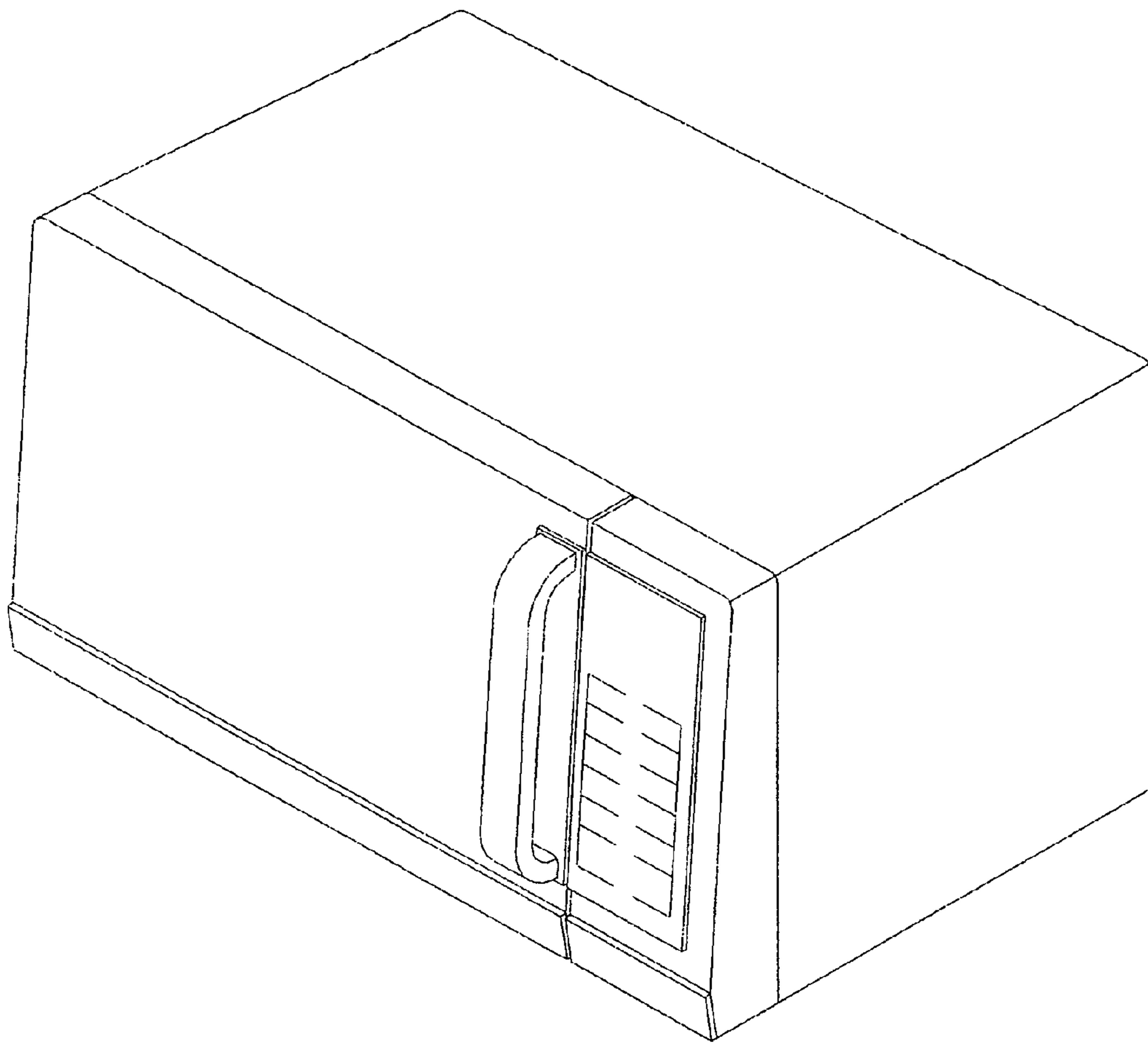


FIG. 2

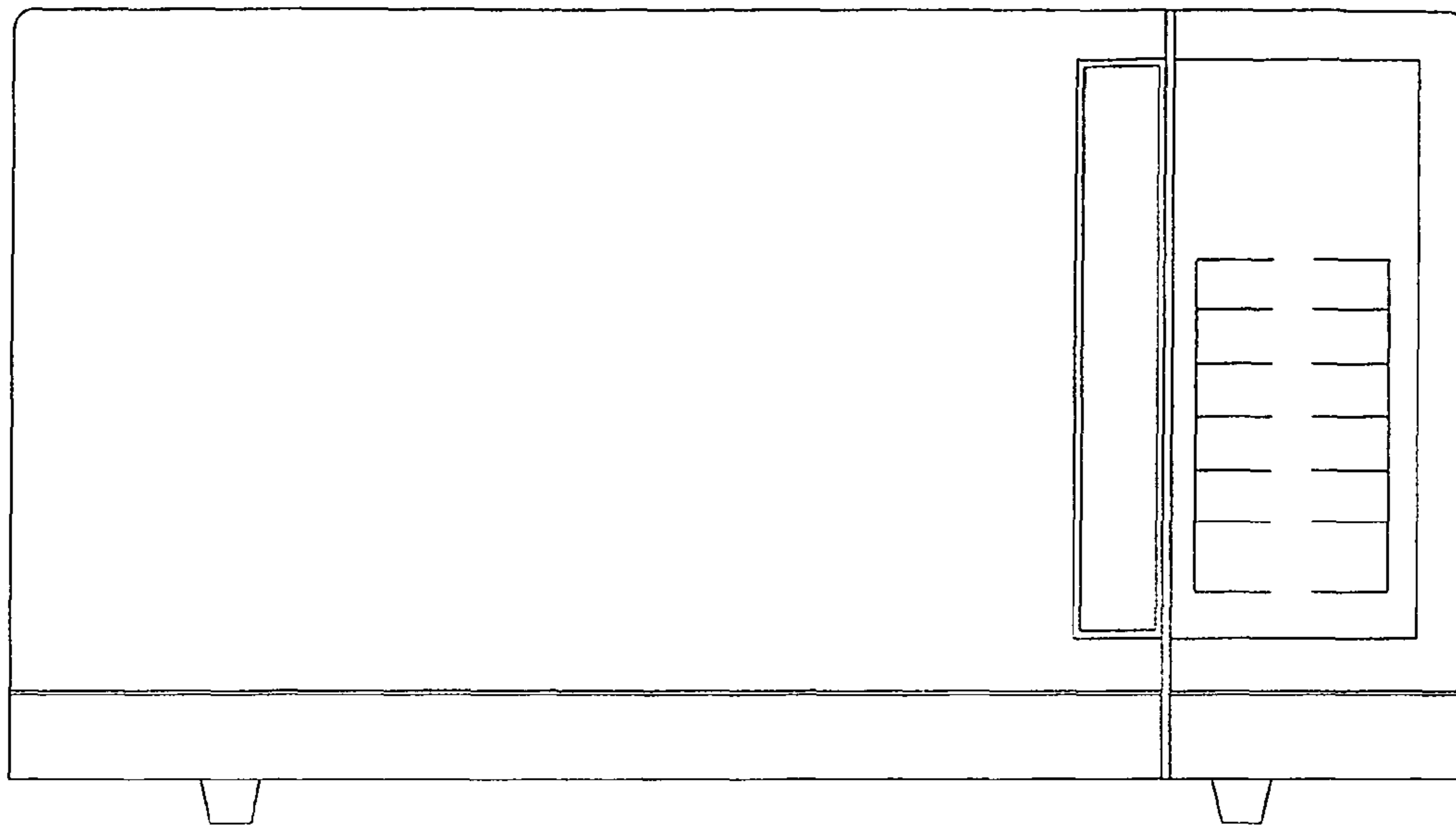


FIG. 3

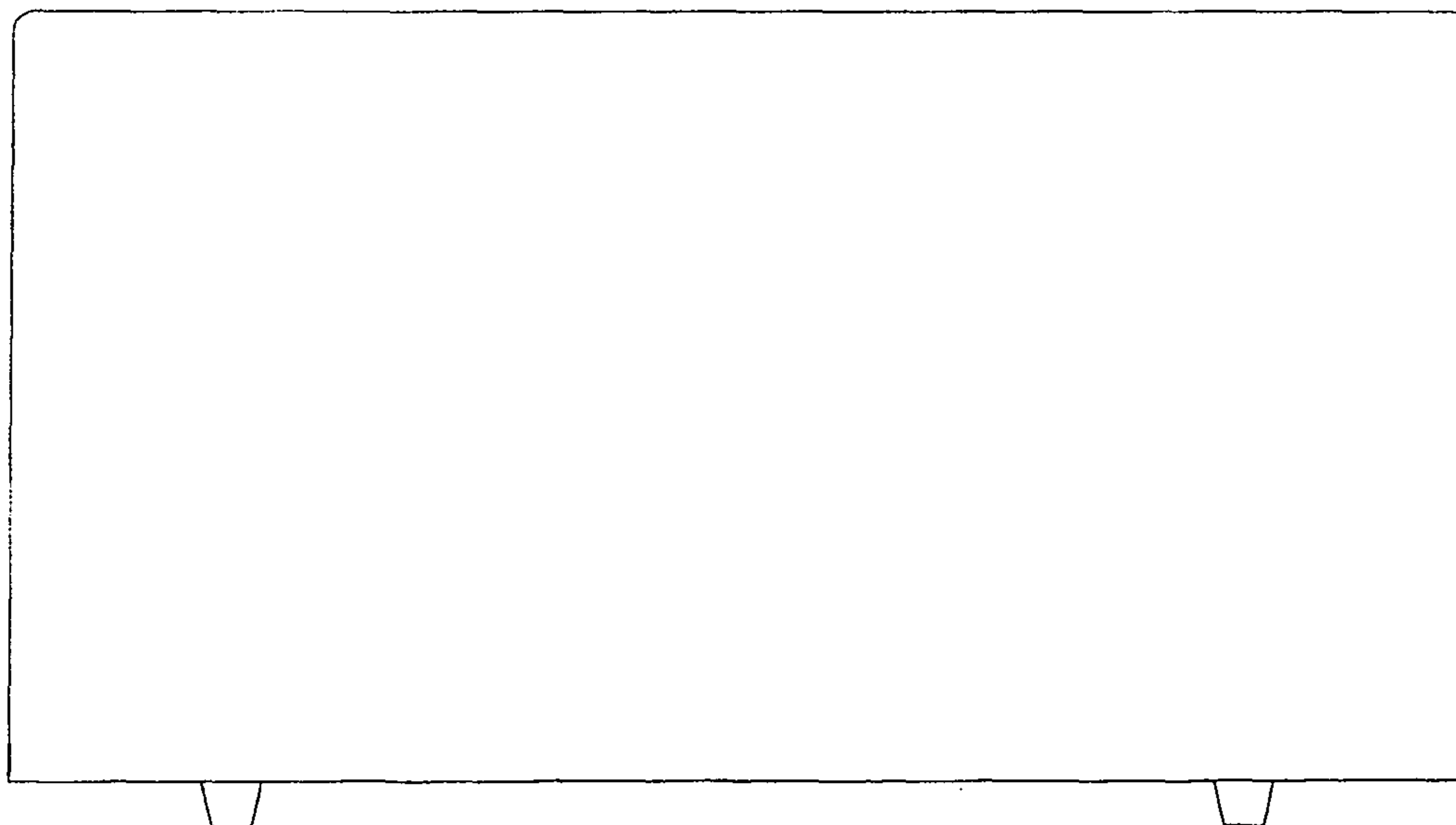


FIG. 4

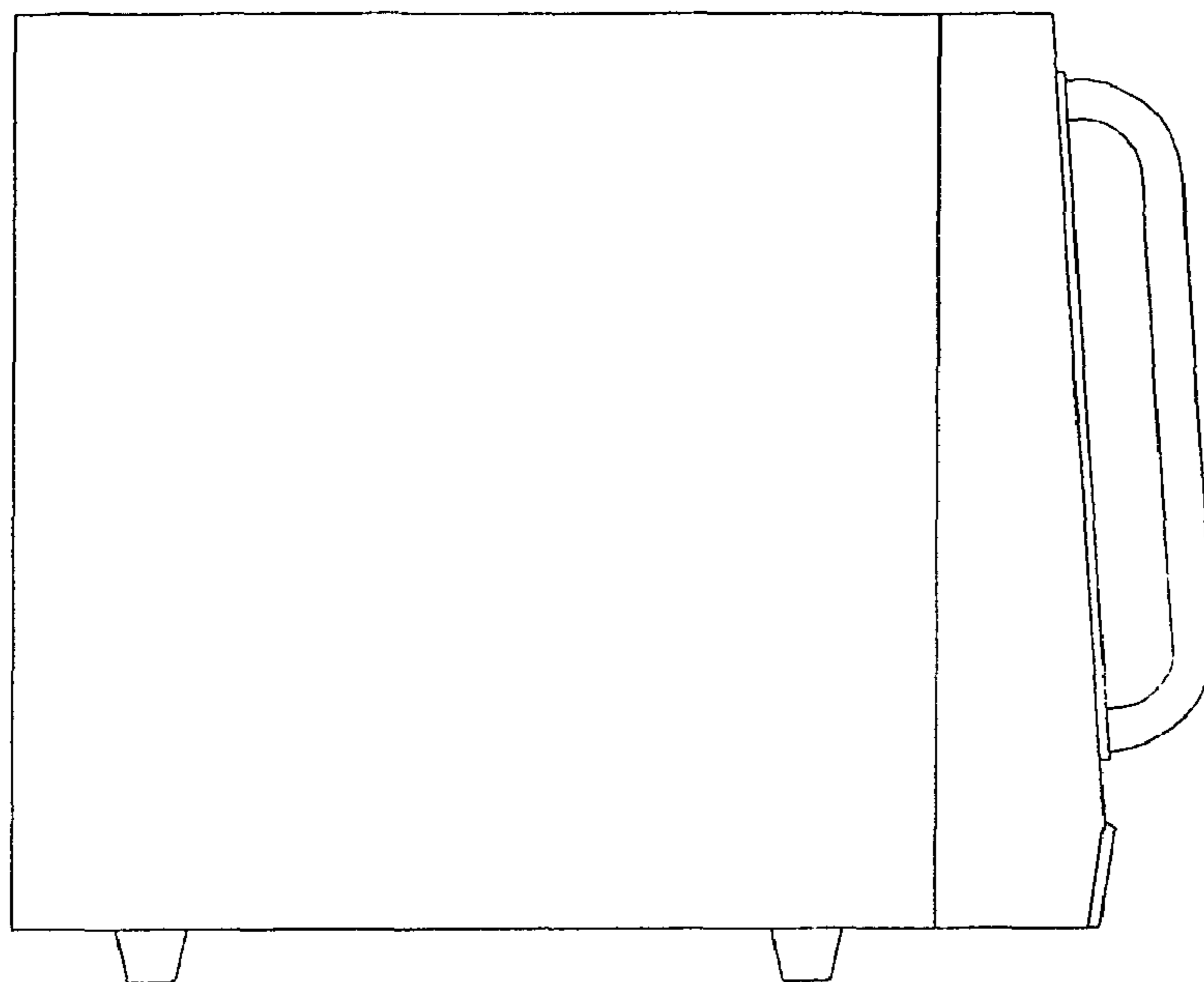


FIG. 5

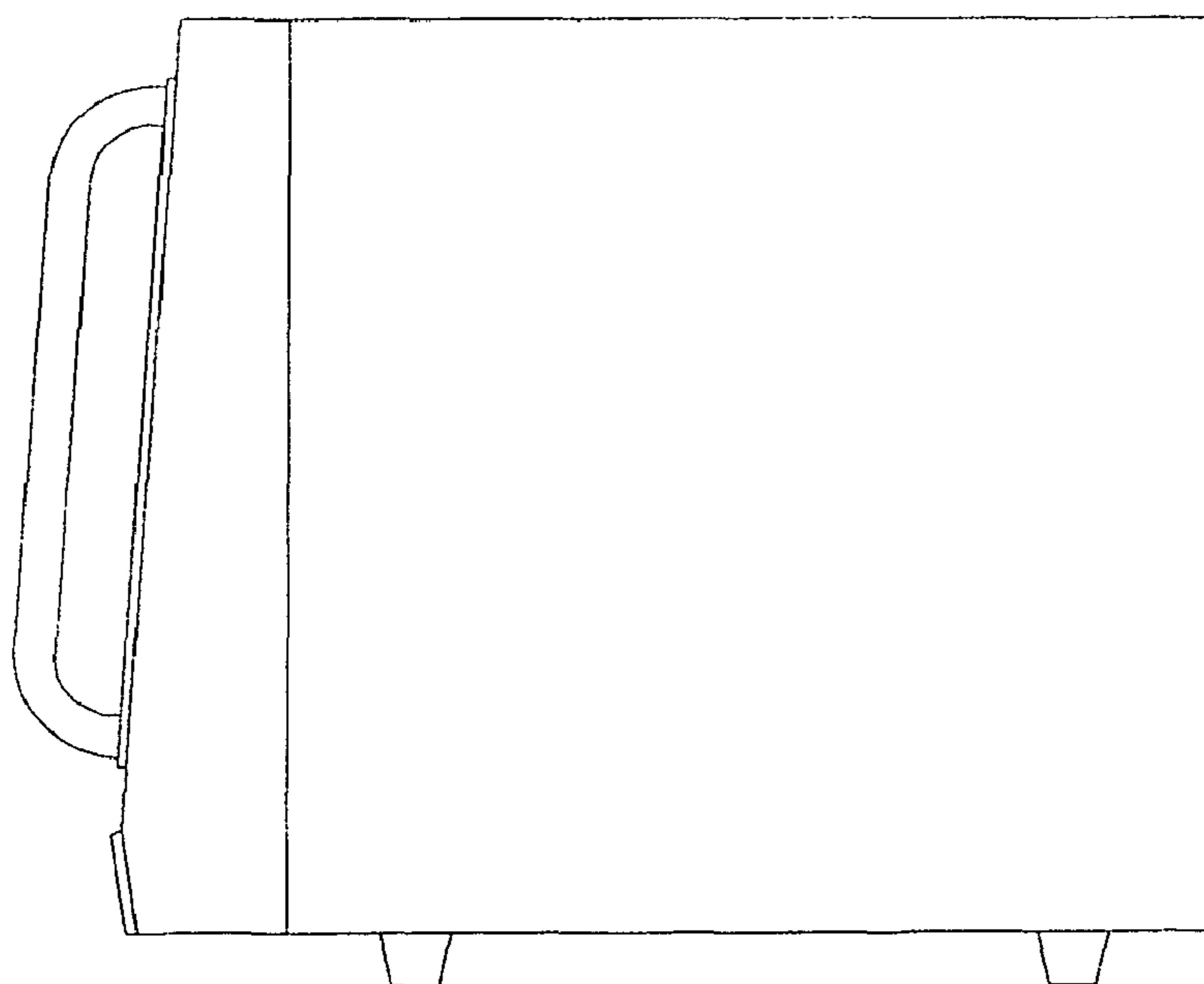


FIG. 6

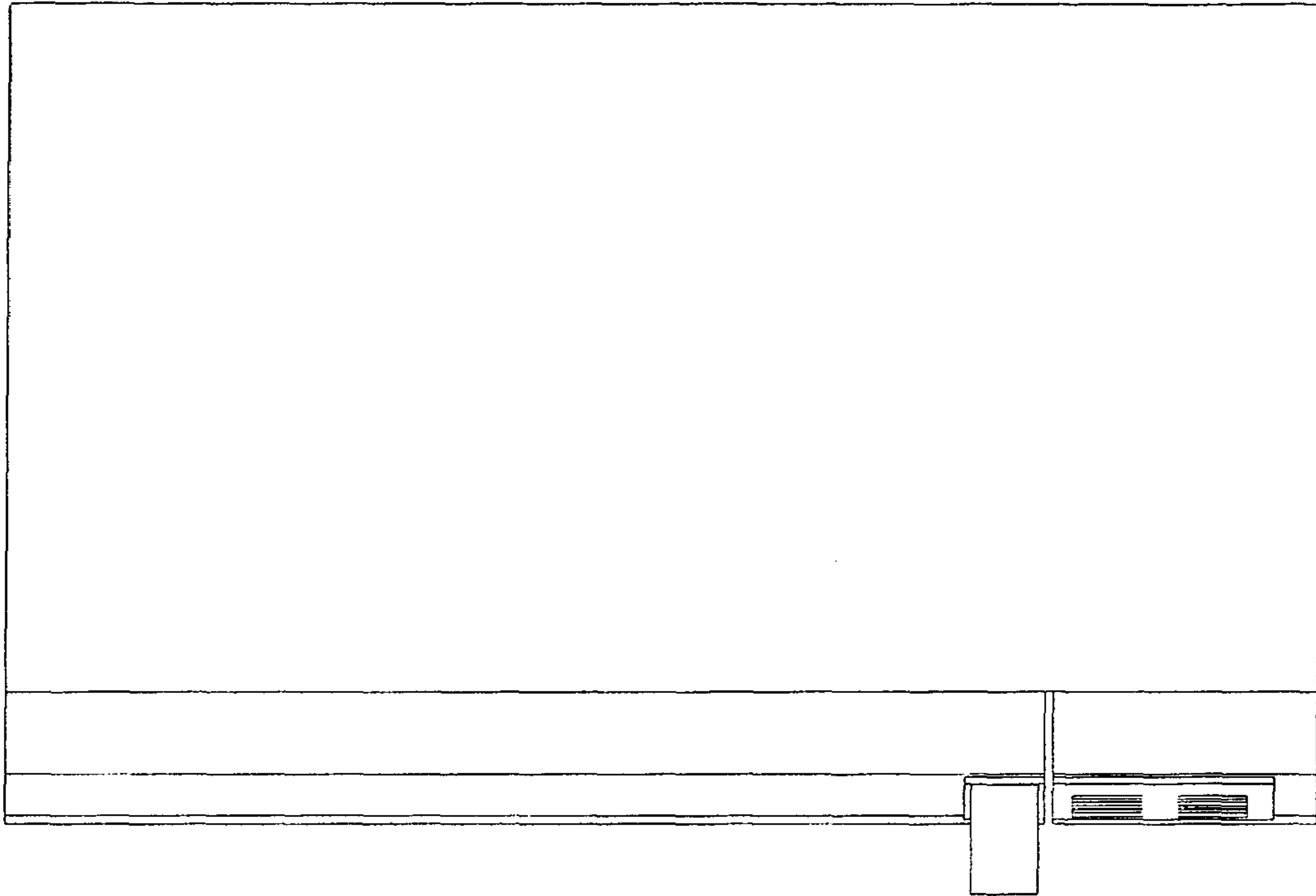


FIG. 7

