



US00D633327S

(12) **United States Design Patent**
Kim

(10) **Patent No.:** **US D633,327 S**

(45) **Date of Patent:** **** Mar. 1, 2011**

(54) **MICROWAVE OVEN**

(75) Inventor: **Kyung Tae Kim**, Kyungki-Do (KR)

(73) Assignee: **Samsung Electronics Co., Ltd.**, Suwon (KR)

(**) Term: **14 Years**

(21) Appl. No.: **29/357,260**

(22) Filed: **Mar. 10, 2010**

(51) **LOC (9) Cl.** **07-02**

(52) **U.S. Cl.** **D7/351**

(58) **Field of Classification Search** D7/350.1,
D7/350.3, 350.4, 351, 405; 219/756, 757,
219/758, 391; 126/19 M, 21 A, 275 E, 275 R;
99/352

See application file for complete search history.

(56) **References Cited**

U.S. PATENT DOCUMENTS

- D302,927 S * 8/1989 Yoshida D7/351
- D303,749 S * 10/1989 Steinkamp D7/351
- D318,396 S * 7/1991 Jung D7/351
- D565,341 S * 4/2008 Jeon et al. D7/351

- D587,959 S * 3/2009 Hensel D7/350.1
- D606,797 S * 12/2009 Baek et al. D7/351
- D607,687 S * 1/2010 Baek et al. D7/351
- D613,990 S * 4/2010 Baek D7/351
- D615,804 S * 5/2010 Baek D7/351
- D626,370 S * 11/2010 Baek D7/351

* cited by examiner

Primary Examiner—Ruth McInroy

(74) *Attorney, Agent, or Firm*—Ladas & Parry LLP

(57) **CLAIM**

I claim the ornamental design for microwave oven, as shown.

DESCRIPTION

FIG. 1 is a top, front and right side perspective view of a microwave oven showing my new design;

FIG. 2 is a front elevational view thereof;

FIG. 3 is a rear elevational view thereof;

FIG. 4 is a left side elevational view thereof;

FIG. 5 is a right side elevational view thereof;

FIG. 6 is a top plan view thereof; and,

FIG. 7 is a bottom plan view thereof.

1 Claim, 4 Drawing Sheets

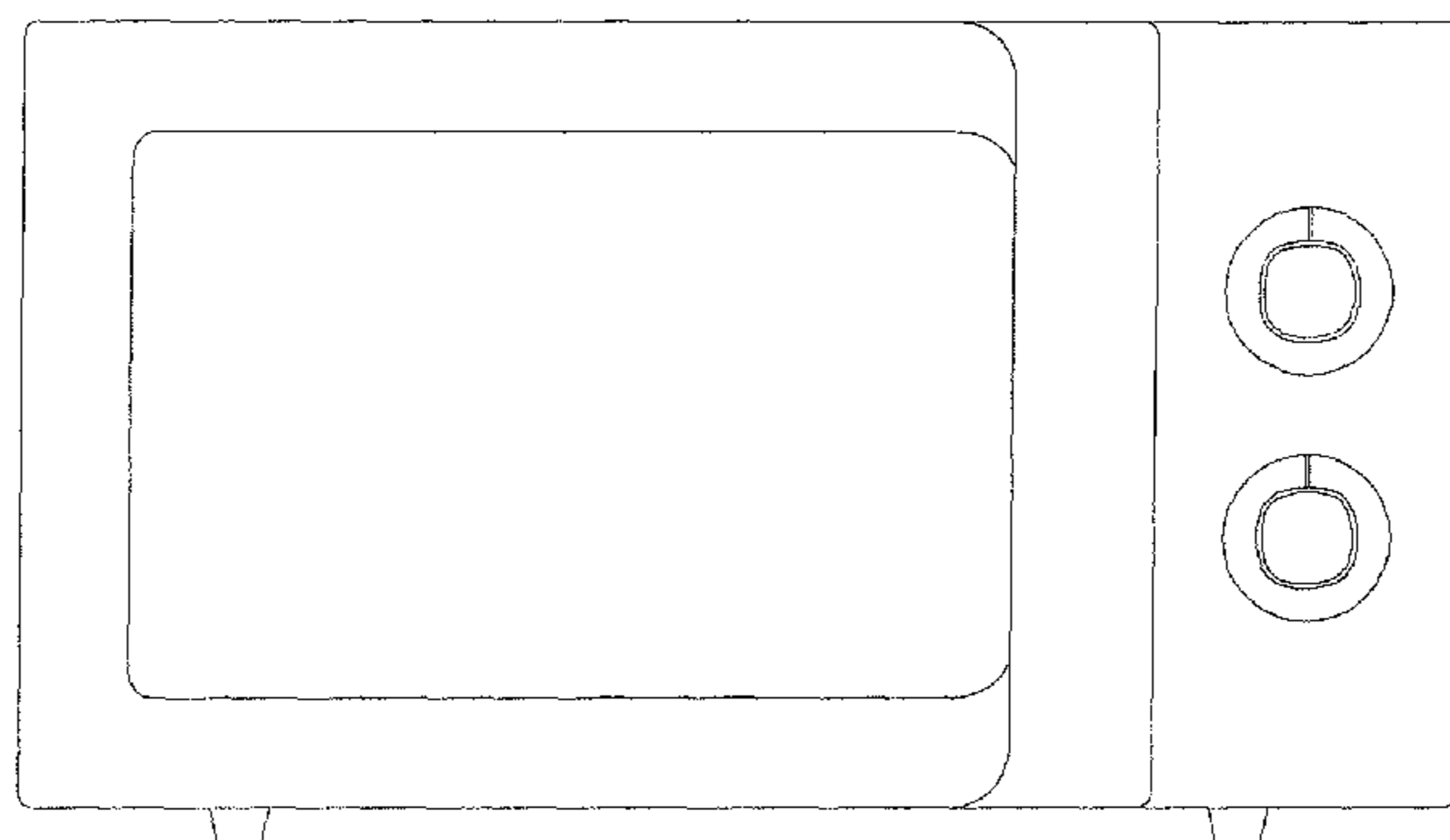
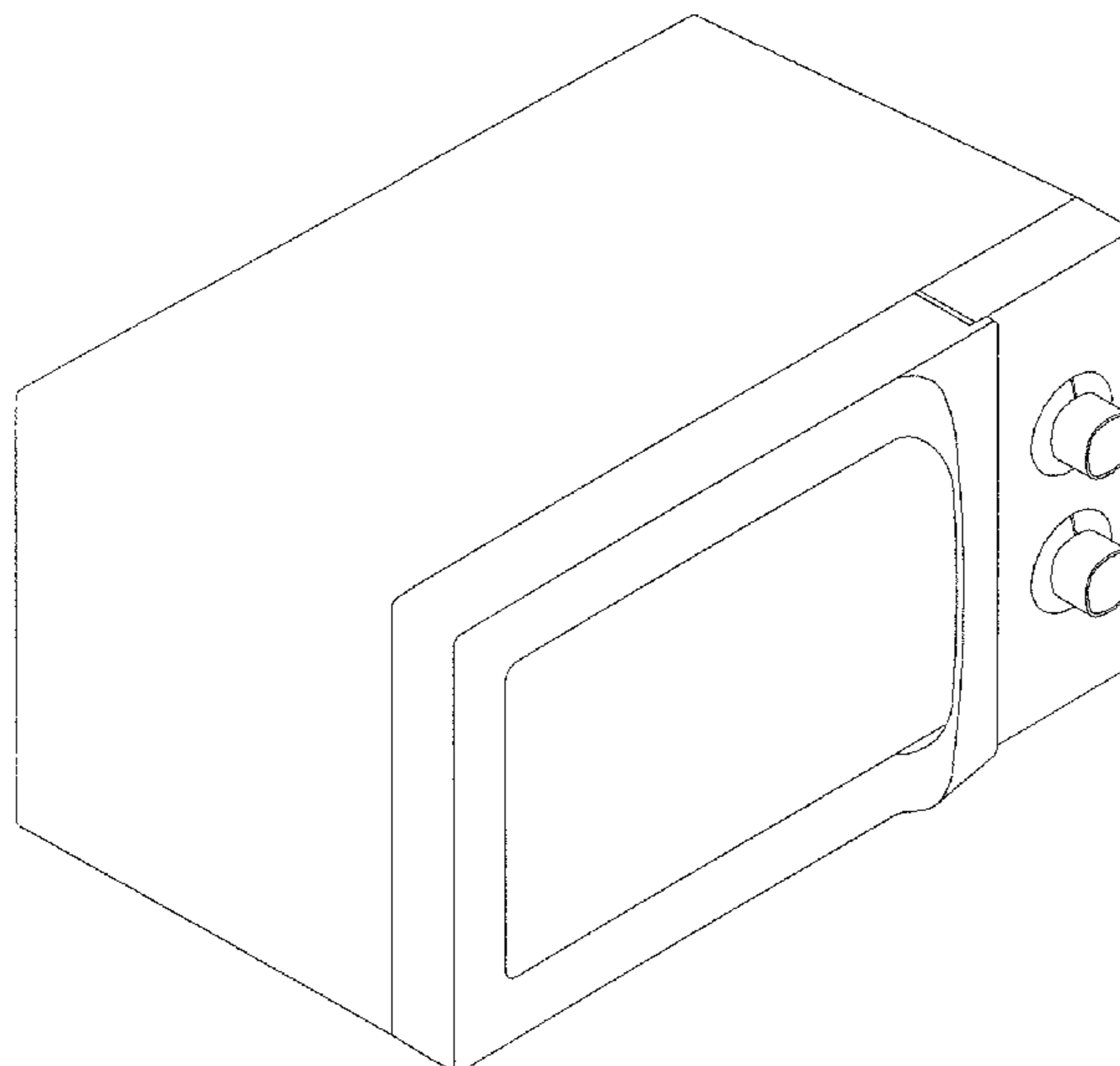


FIG. 1

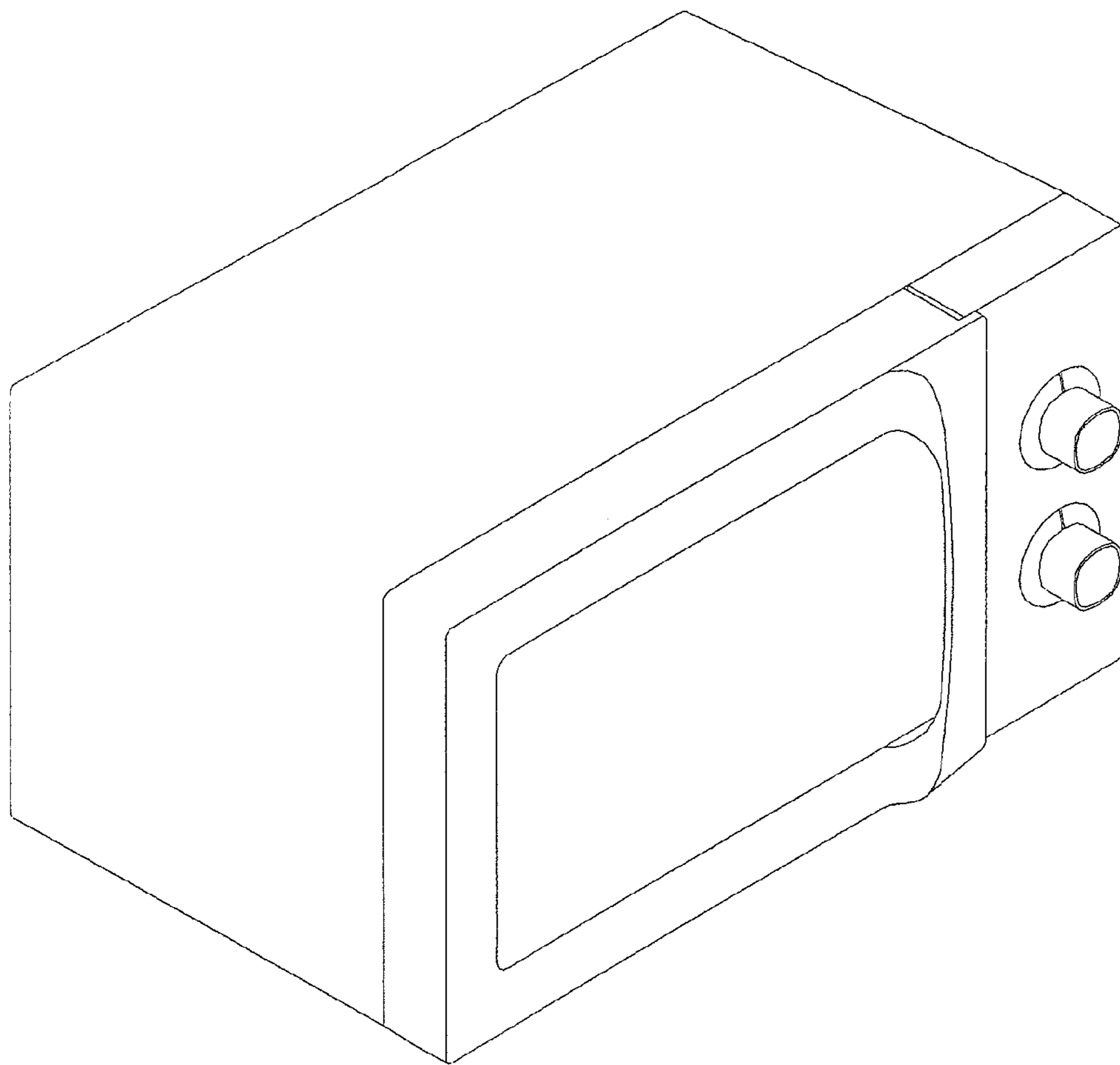


FIG. 2

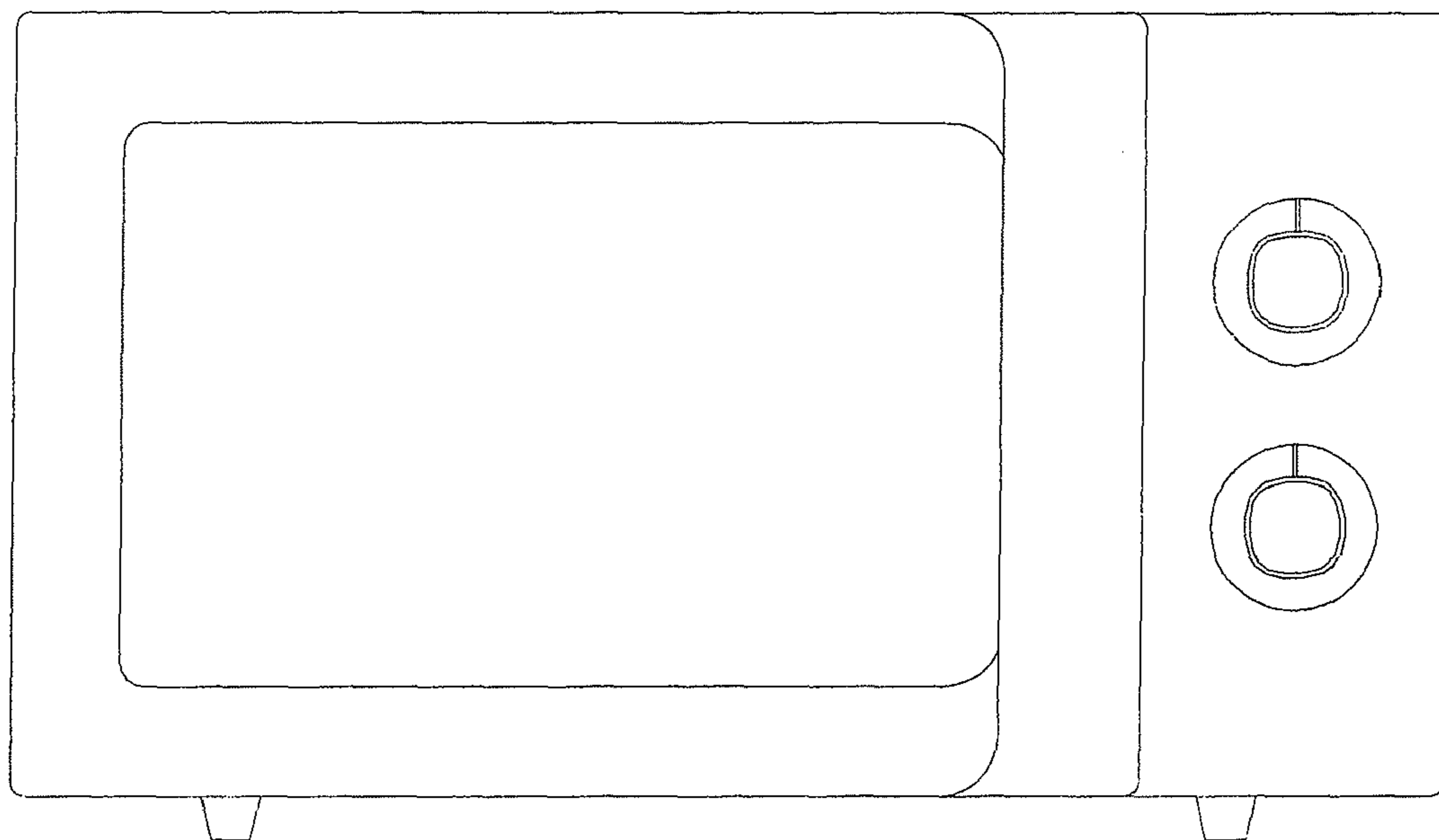


FIG. 3

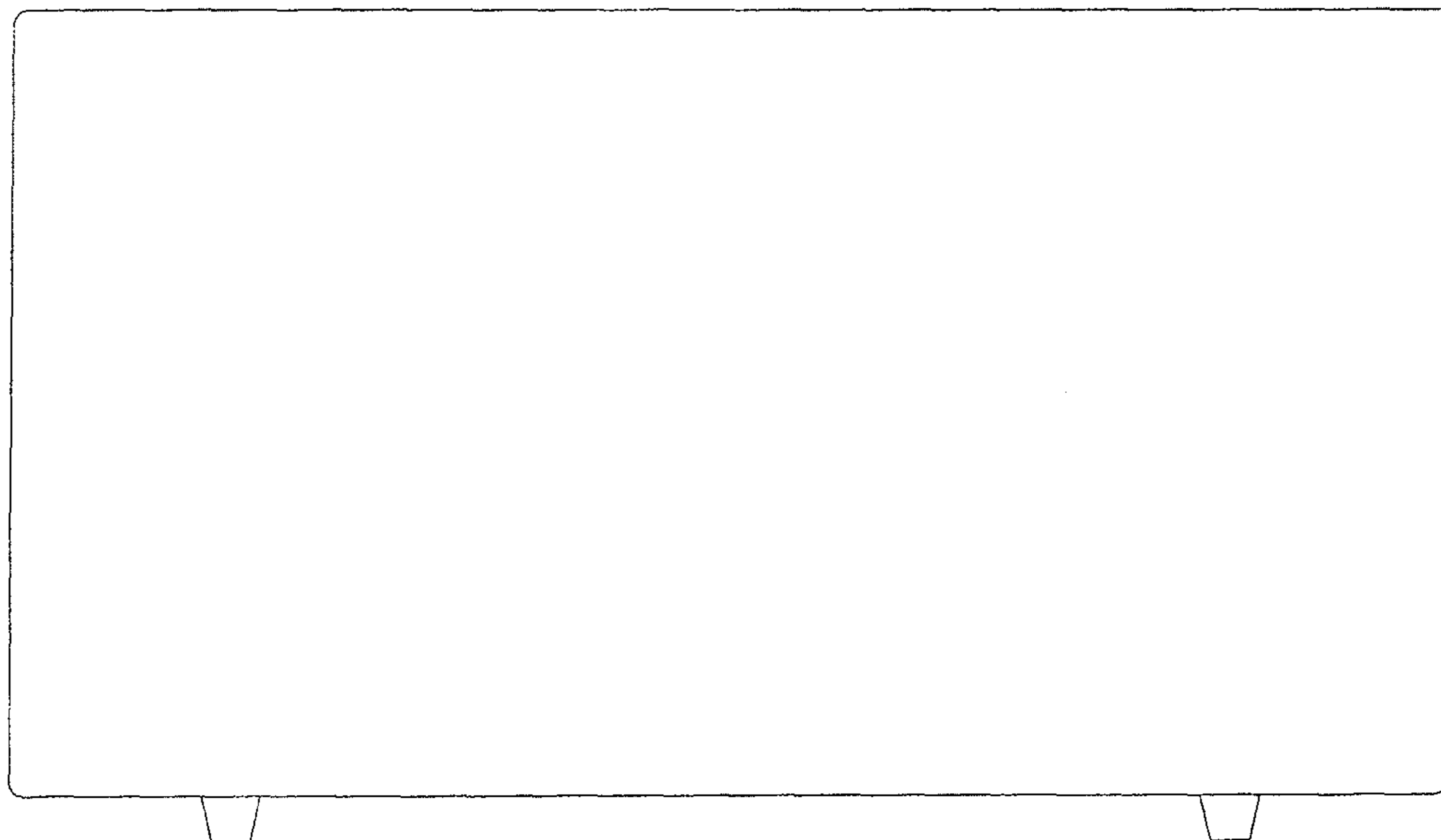


FIG. 4

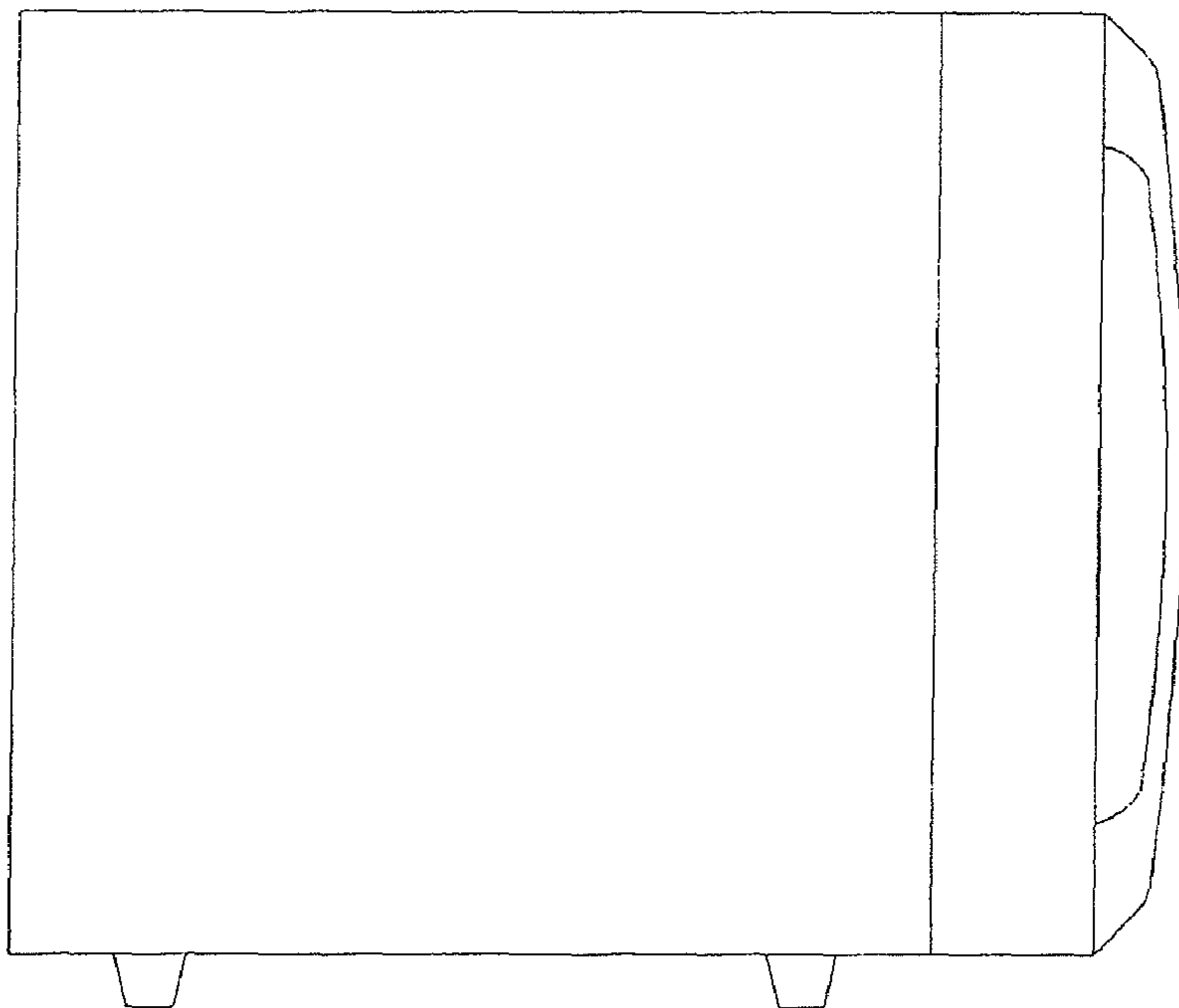


FIG. 5

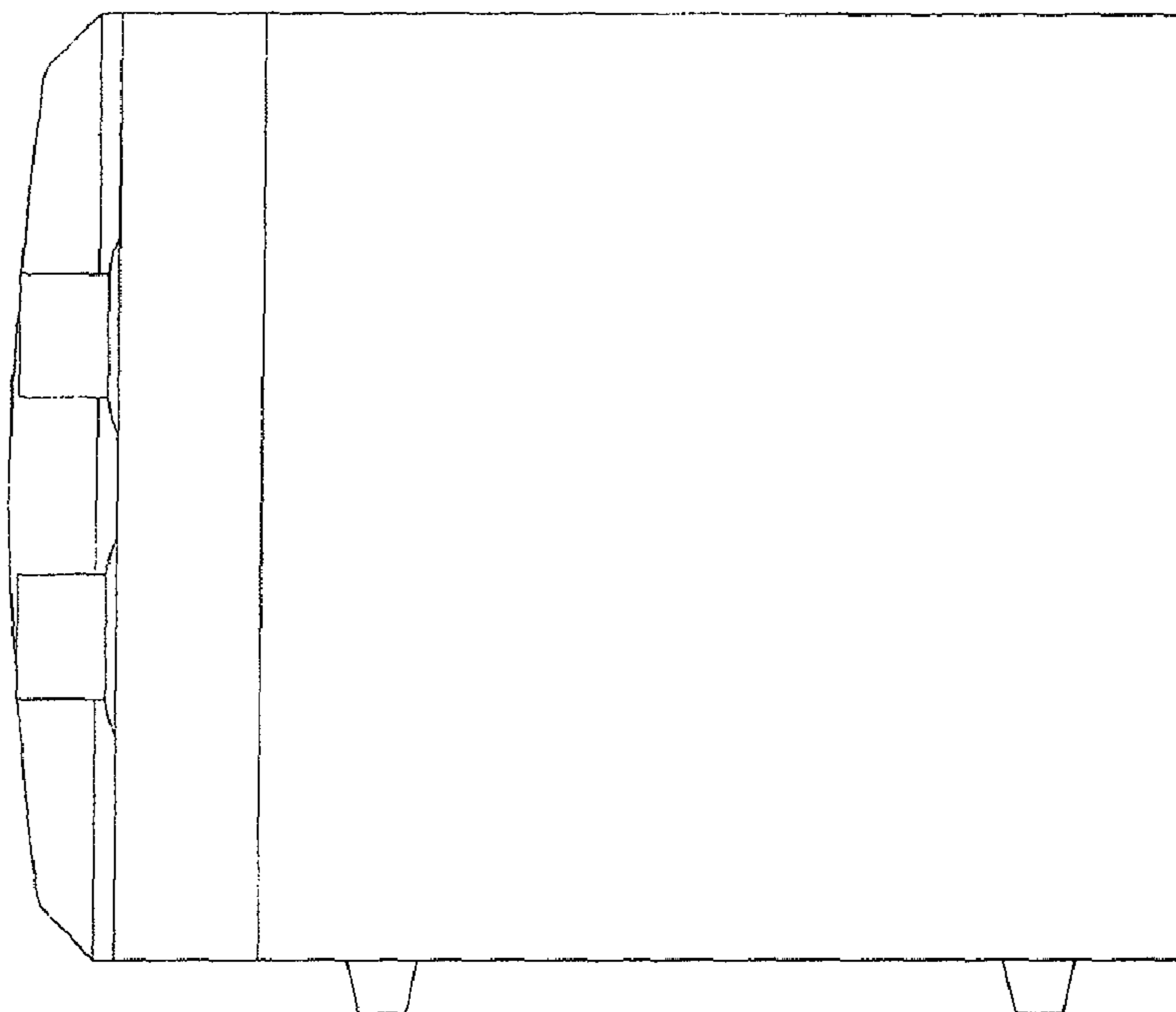


FIG. 6

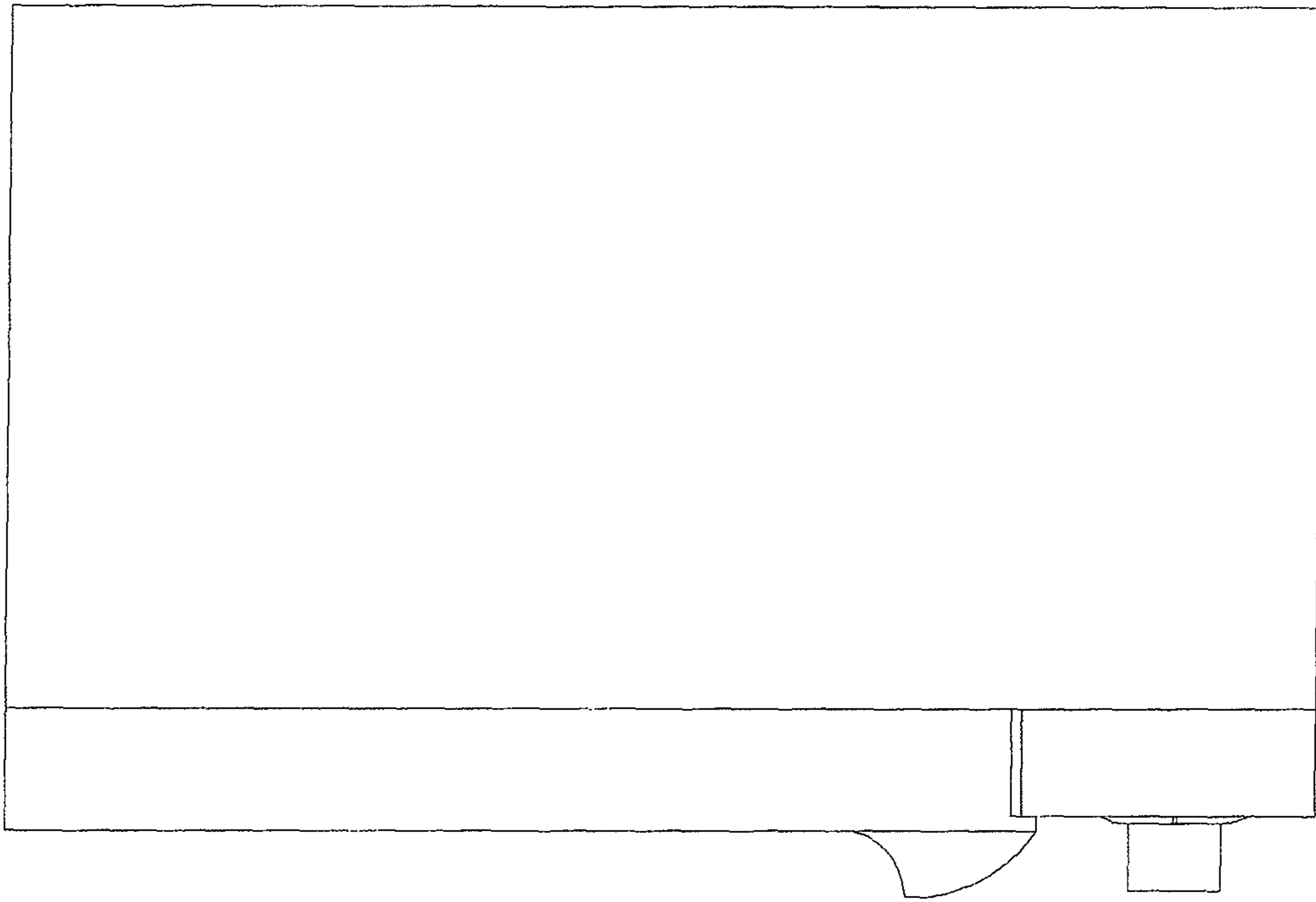


FIG. 7

