

US00D633324S

(12) **United States Design Patent**  
**Mondragon et al.**

(10) **Patent No.:** **US D633,324 S**  
(45) **Date of Patent:** **\*\* Mar. 1, 2011**

- (54) **KETTLE**
- (75) Inventors: **Dean Mondragon**, Rocky Face, GA (US); **Cyan Godfrey**, Chapel Hill, NC (US); **Mike Page**, Coral Gables, FL (US); **Margaret Butler**, Raleigh, NC (US); **Mark K. Romandy**, Midlothian, VA (US)
- (73) Assignee: **Hamilton Beach Brands, Inc**, Glen Allen, VA (US)
- (\*\*) Term: **14 Years**
- (21) Appl. No.: **29/354,819**
- (22) Filed: **Jan. 29, 2010**
- (51) **LOC (9) Cl.** ..... **07-01**
- (52) **U.S. Cl.** ..... **D7/317; D7/318**
- (58) **Field of Classification Search** ..... D7/300, D7/316-319, 598, 600; 99/299, 307; 222/465.1  
See application file for complete search history.

- 6,377,750 B1 4/2002 Scott et al.
- D463,706 S 10/2002 Lecerf
- 6,472,646 B1 10/2002 Taylor
- D475,233 S 6/2003 De Visser
- D494,803 S \* 8/2004 Bodum ..... D7/319
- 6,818,867 B2 11/2004 Kressmann
- 6,840,802 B2 1/2005 Shepherd
- 6,914,514 B2 7/2005 Shepherd
- D512,597 S \* 12/2005 Bjørn ..... D7/318
- D527,940 S 9/2006 Cohen
- D534,027 S 12/2006 Huang
- 7,163,125 B2 1/2007 Murakami et al.
- D545,111 S 6/2007 Brown
- D553,898 S 10/2007 De' Longhi
- D561,519 S 2/2008 Ranzoni
- D562,053 S 2/2008 Cohen
- D603,647 S \* 11/2009 Bodum ..... D7/318
- D605,455 S \* 12/2009 Bodum ..... D7/318
- D607,686 S \* 1/2010 Elissen ..... D7/319
- 2003/0095029 A1 5/2003 Shepherd
- 2007/0181585 A1 8/2007 Lane

\* cited by examiner

*Primary Examiner*—Marianne Pandozzi

(74) *Attorney, Agent, or Firm*—Alexander D. Raring

(56) **References Cited**

U.S. PATENT DOCUMENTS

- 134,586 A 12/1942 Bradley
- D218,354 S \* 8/1970 Kikuchi ..... D7/317
- 3,848,563 A 11/1974 Brown
- 4,376,925 A 3/1983 Taylor
- D285,520 S 9/1986 Ferm et al.
- D292,162 S \* 10/1987 Zimmermann ..... D7/317
- 4,776,478 A 10/1988 Miller et al.
- 5,137,168 A 8/1992 Mothrath et al.
- D343,983 S 2/1994 Tardif
- D375,016 S \* 10/1996 Ullmann ..... D7/319
- 5,643,485 A 7/1997 Potter et al.
- 5,653,362 A 8/1997 Patel
- 5,693,244 A 12/1997 Pragt et al.
- 5,773,795 A 6/1998 Messmer
- 5,793,020 A 8/1998 O'Neill
- 6,080,968 A 6/2000 Taylor
- D427,478 S 7/2000 Littmann et al.
- 6,085,946 A 7/2000 Hirsch et al.
- 6,153,859 A 11/2000 Taylor et al.
- 6,302,307 B1 10/2001 Hirsch et al.

(57) **CLAIM**

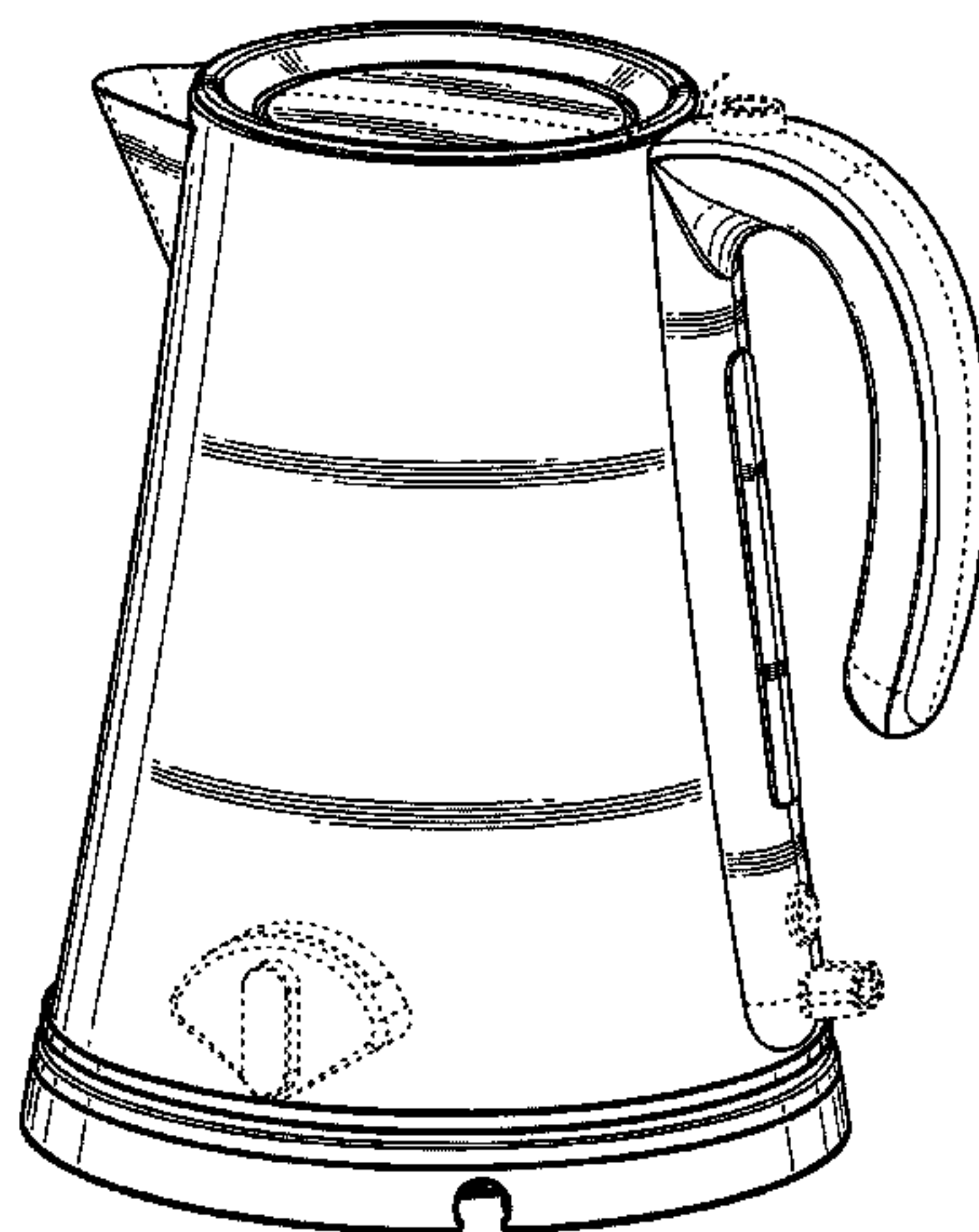
The ornamental design for a kettle, as shown and described.

**DESCRIPTION**

FIG. 1 is a top right perspective view of a kettle according to a preferred embodiment of the invention;  
 FIG. 2 is a left side elevational view thereof;  
 FIG. 3 is a right side elevational view thereof;  
 FIG. 4 is a front elevational view thereof;  
 FIG. 5 is a rear elevational view thereof;  
 FIG. 6 is a top plan view thereof; and,  
 FIG. 7 is bottom plan view thereof.

The broken lines in the figures are for illustrative purposes only and form no part of the claimed design.

**1 Claim, 6 Drawing Sheets**



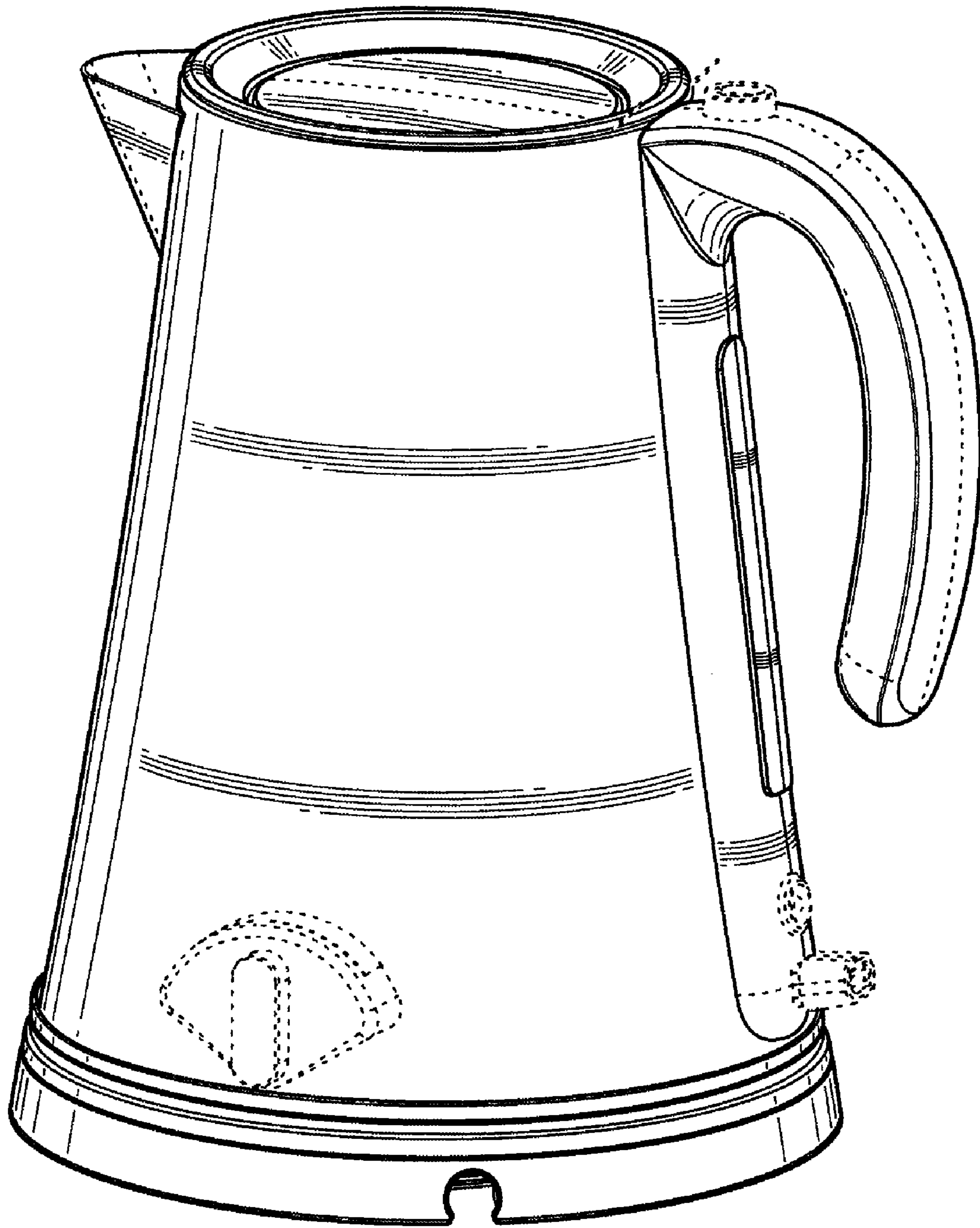


FIG. 1

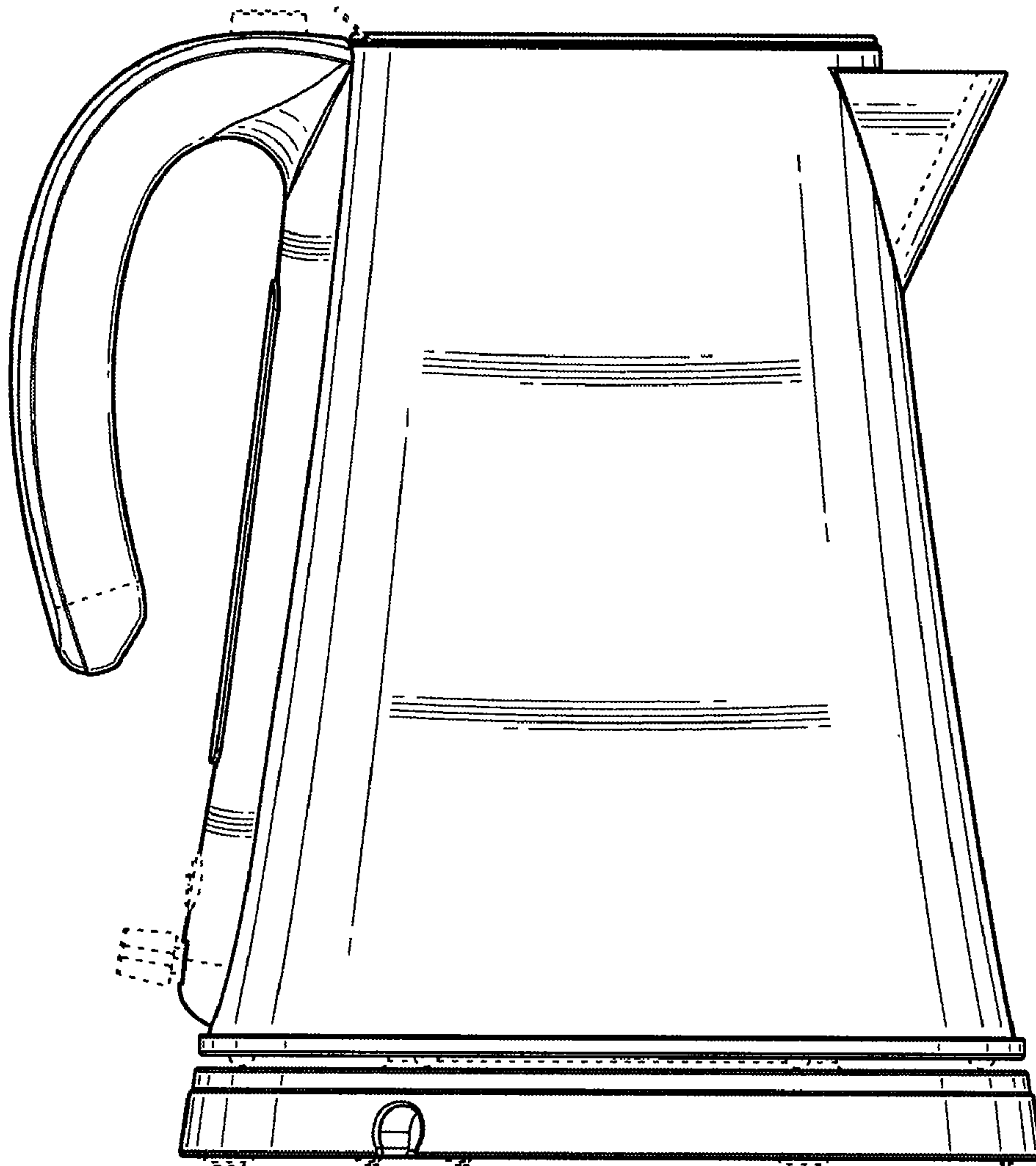


FIG. 2

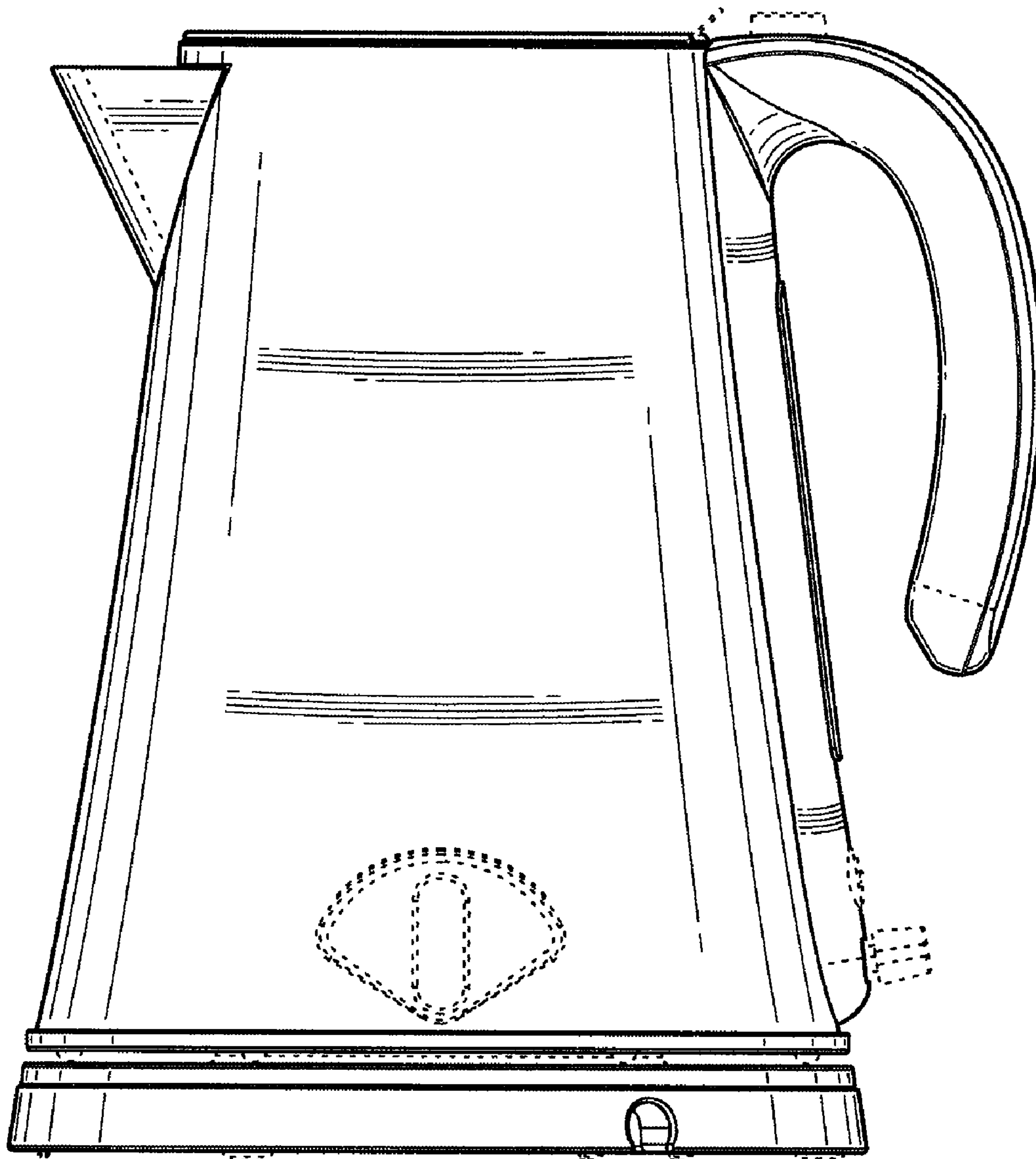


FIG. 3

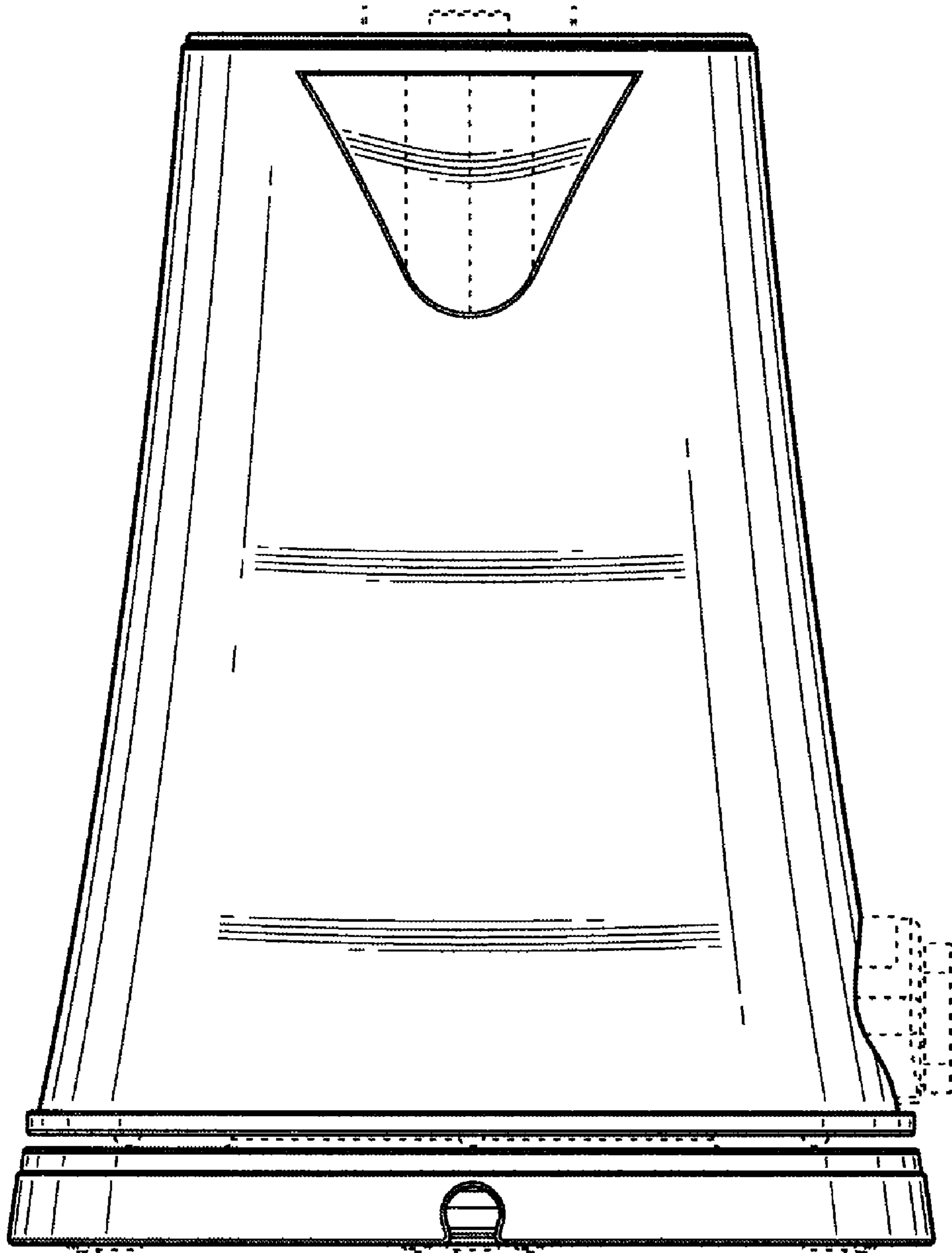


FIG. 4



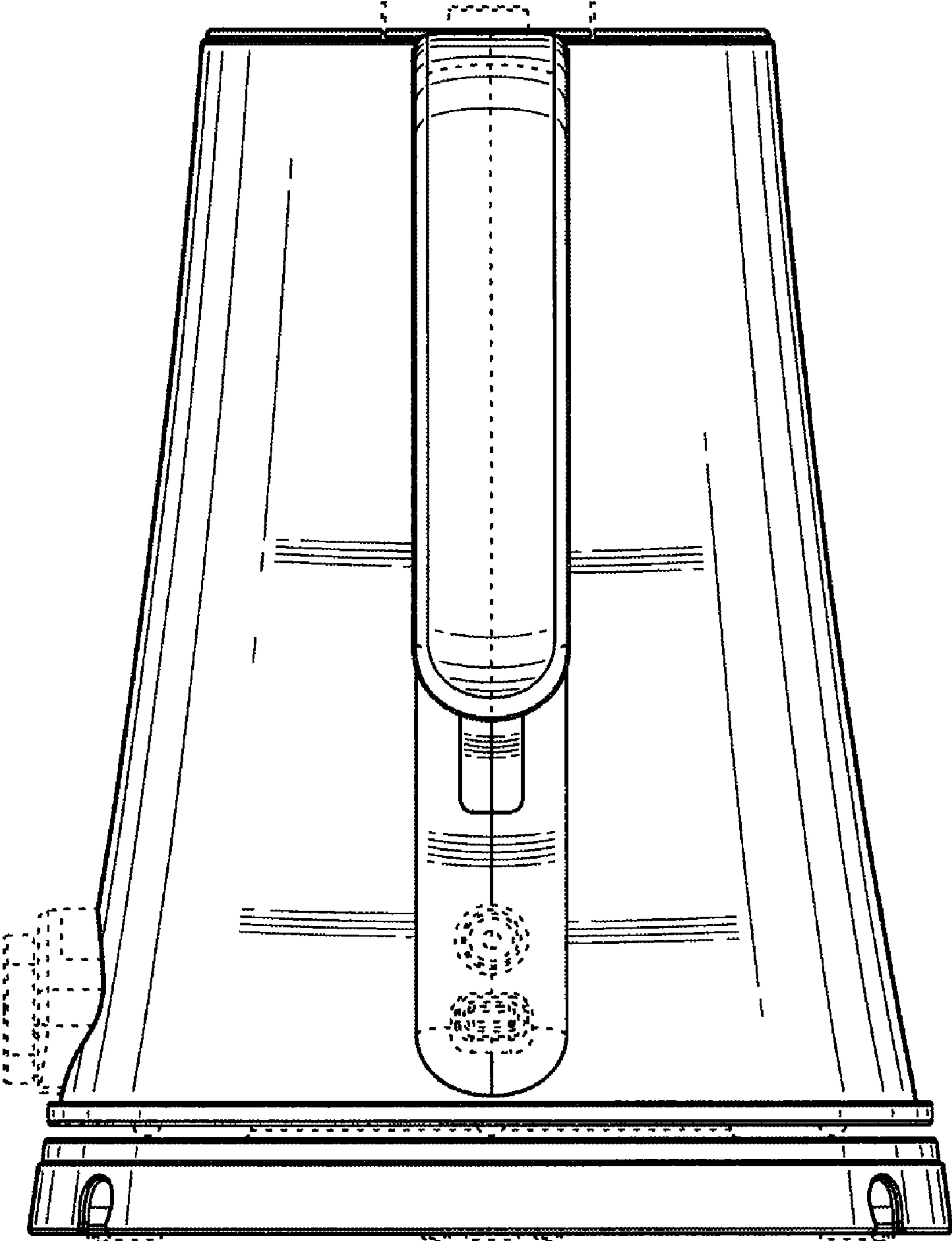


FIG. 5

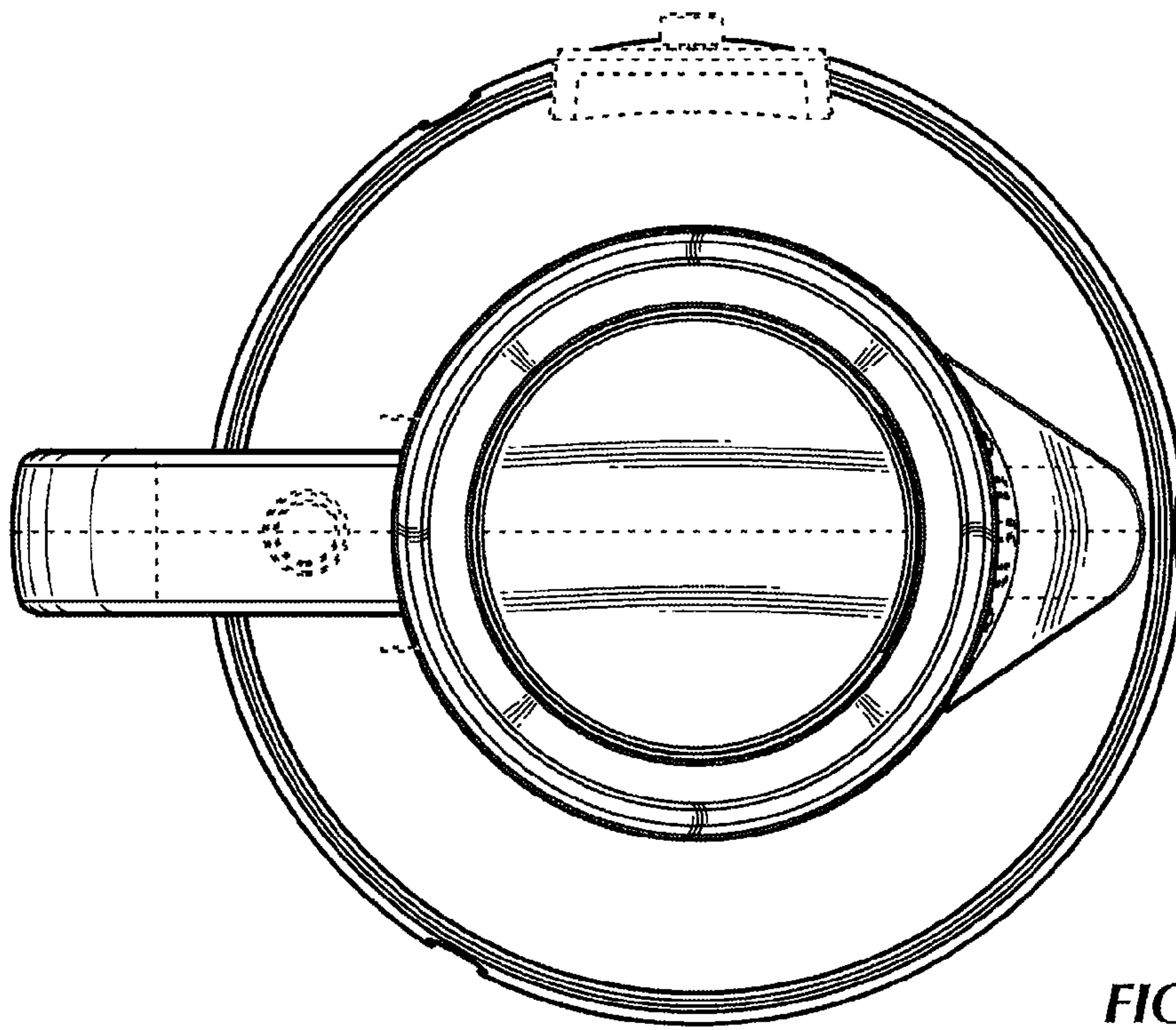


FIG. 6

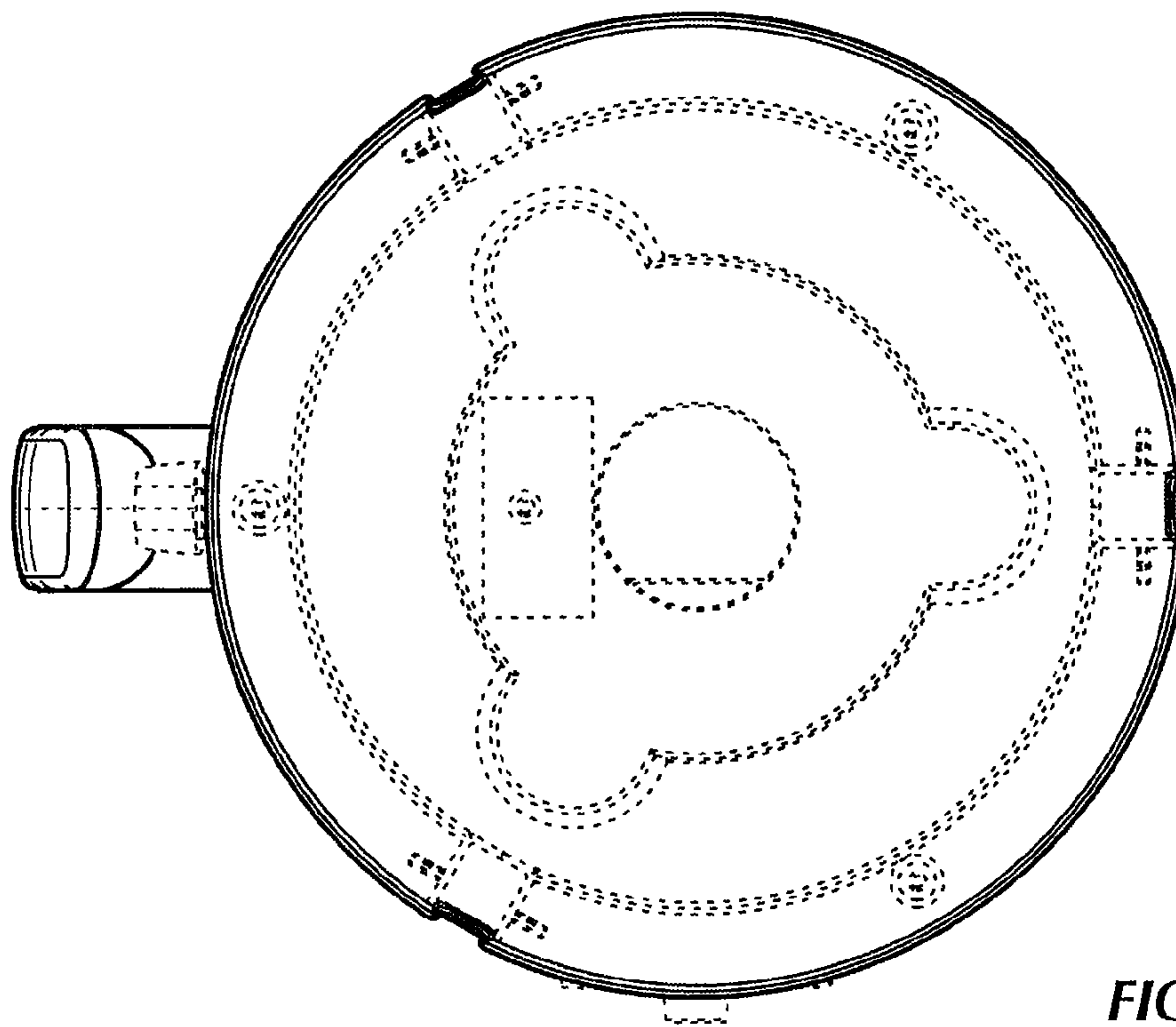


FIG. 7