



US00D633320S

(12) **United States Design Patent**
Brace et al.

(10) **Patent No.:** **US D633,320 S**
(45) **Date of Patent:** **** Mar. 1, 2011**

(54) **CLOSURE PANEL FOR A HEADRAIL FOR AN ARCHITECTURAL OPENING**

(75) Inventors: **Clark D. Brace**, Westminster, CO (US);
Daniel Fluckey, Englewood, CO (US);
Paul F. Josephson, Firestone, CO (US);
Joseph E. Kovach, Brighton, CO (US)

(73) Assignee: **Hunter Douglas Inc.**, Upper Saddle River, NJ (US)

(**) Term: **14 Years**

(21) Appl. No.: **29/326,484**

(22) Filed: **Oct. 20, 2008**

(51) **LOC (9) Cl.** **06-10**

(52) **U.S. Cl.** **D6/580**

(58) **Field of Classification Search** D6/575-580;
D25/122, 124, 125; 160/38, 39, 170, 177,
160/178.1 R; 248/251, 261
See application file for complete search history.

(56) **References Cited**

U.S. PATENT DOCUMENTS

D251,019 S *	2/1979	Brady	D25/119
D325,981 S *	5/1992	Valentin	D25/119
D368,851 S *	4/1996	Cole et al.	D8/376
D381,890 S *	8/1997	Levy	D8/377
D440,100 S *	4/2001	Horsten	D6/580
D455,336 S *	4/2002	Anderson	D8/377
D489,209 S *	5/2004	Goldberg	D6/580
D502,037 S *	2/2005	Nien	D6/580

(Continued)

Primary Examiner—Patricia Palasik

(74) Attorney, Agent, or Firm—Dorsey & Whitney LLP

(57) **CLAIM**

We claim a closure panel for a headrail for an architectural opening, as shown and described.

DESCRIPTION

FIG. 1 is an isometric view of a closure panel for a headrail for an architectural opening with the right side of the closure panel shown in broken lines to indicate no particular length.

FIG. 2 is an isometric of the front of the closure panel shown in FIG. 1.

FIG. 3 is an isometric of the rear of the panel shown in FIG. 2.

FIG. 4 is a left side elevation of the panel.

FIG. 5 is a front elevation of the panel.

FIG. 6 is a top plan view of the panel.

FIG. 7 is a left side view of the panel.

FIG. 8 is a rear elevation of the panel.

FIG. 9 is a bottom plan view of the panel.

FIG. 10 is an isometric similar to FIG. 1 showing a second embodiment of the closure panel for a headrail for an architectural opening having a textured front surface with the right side of the closure panel shown in broken lines to indicate no particular.

FIG. 11 is an isometric looking at the front of the panel shown in FIG. 10.

FIG. 12 is an isometric looking at the rear of the panel of FIG. 11.

FIG. 13 is a top plan view of the panel of FIG. 11.

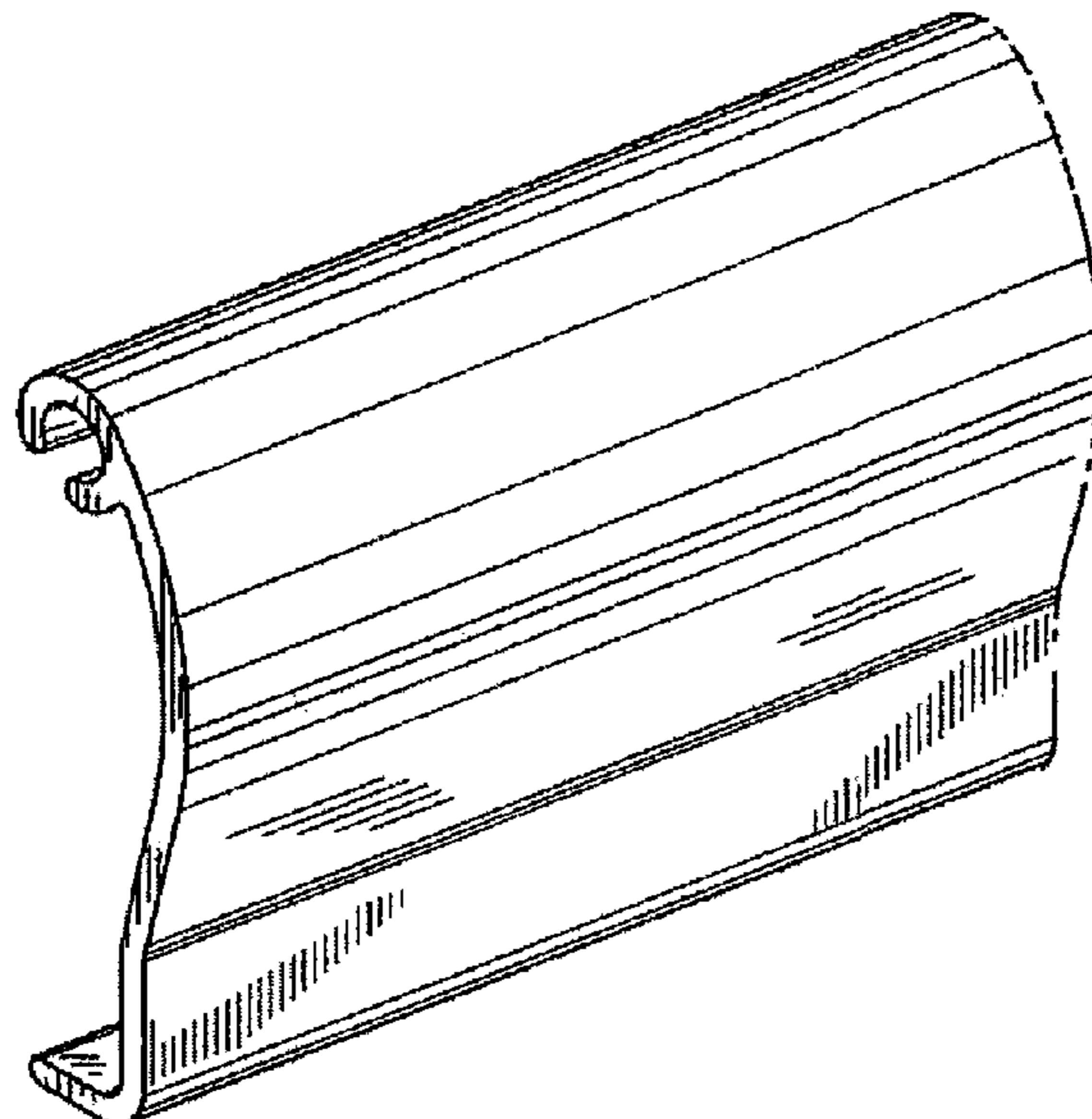
FIG. 14 is a front elevation of the panel shown in FIG. 11

FIG. 15 is a rear elevation of the panel of FIG. 11; and,

FIG. 16 is a bottom plan view of the panel of FIG. 11.

The broken lines in the drawings depict the boundaries of the claimed design and form no part thereof.

1 Claim, 6 Drawing Sheets



US D633,320 S

Page 2

U.S. PATENT DOCUMENTS

D504,062 S *	4/2005	Gerrits	D8/394	D530,967 S *	10/2006	Smith	D6/580
D522,297 S *	6/2006	Miller et al.	D6/580	D546,104 S *	7/2007	Miller et al.	D6/580
D522,687 S *	6/2006	Bayer	D26/154	D567,729 S *	4/2008	Crandall	D12/203
				D569,715 S *	5/2008	Fernandez	D8/377

* cited by examiner

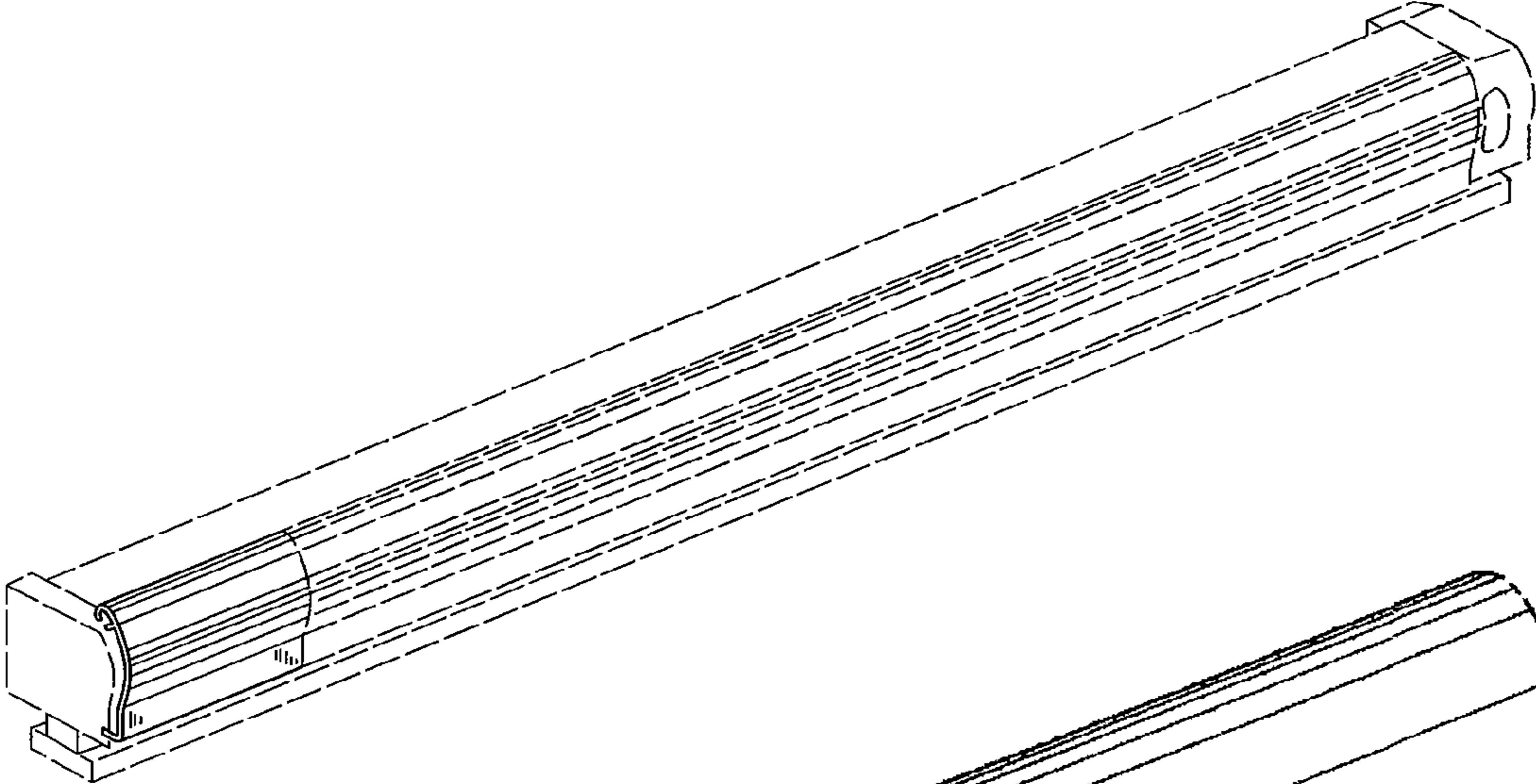


Fig. 1

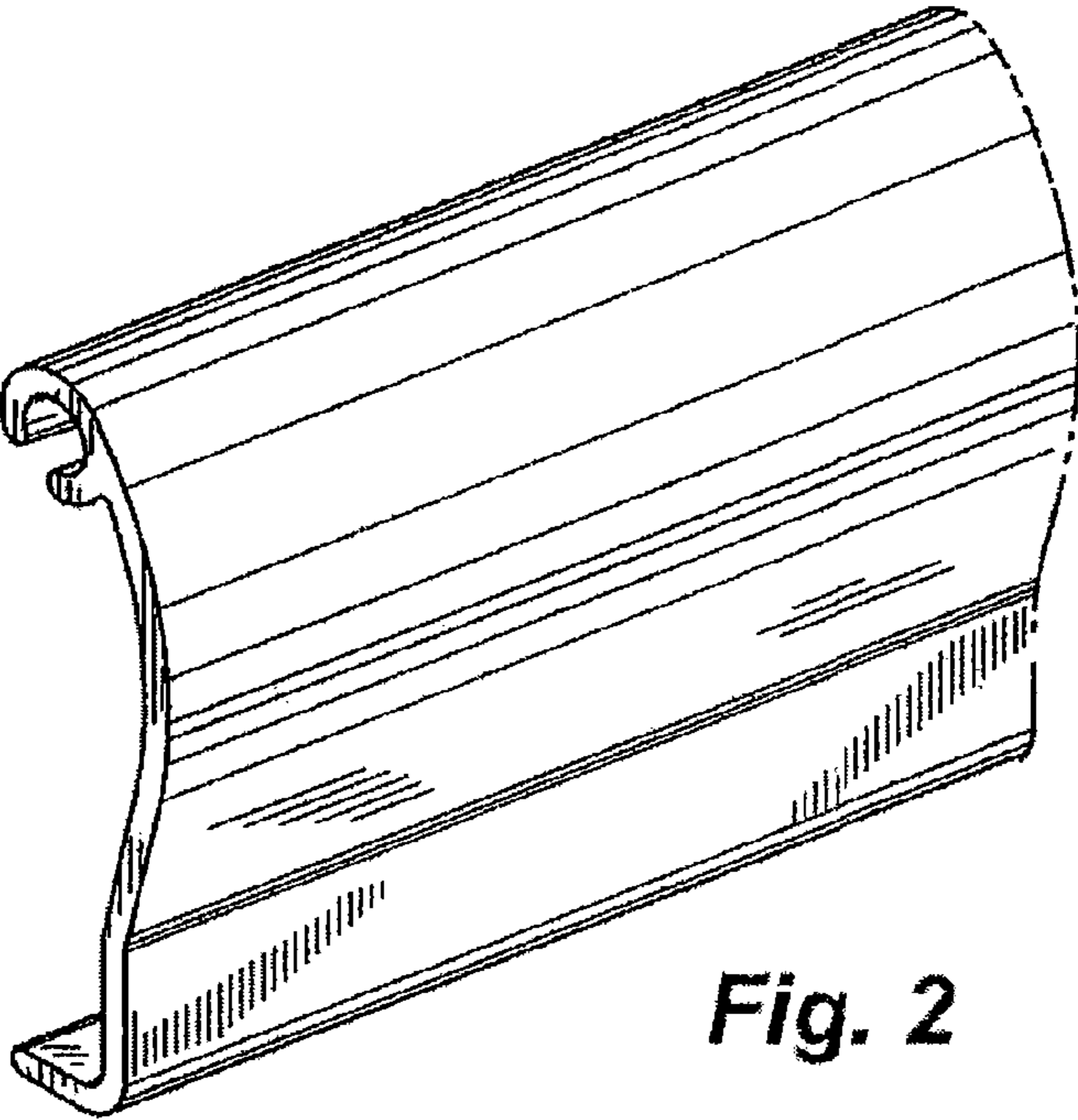


Fig. 2

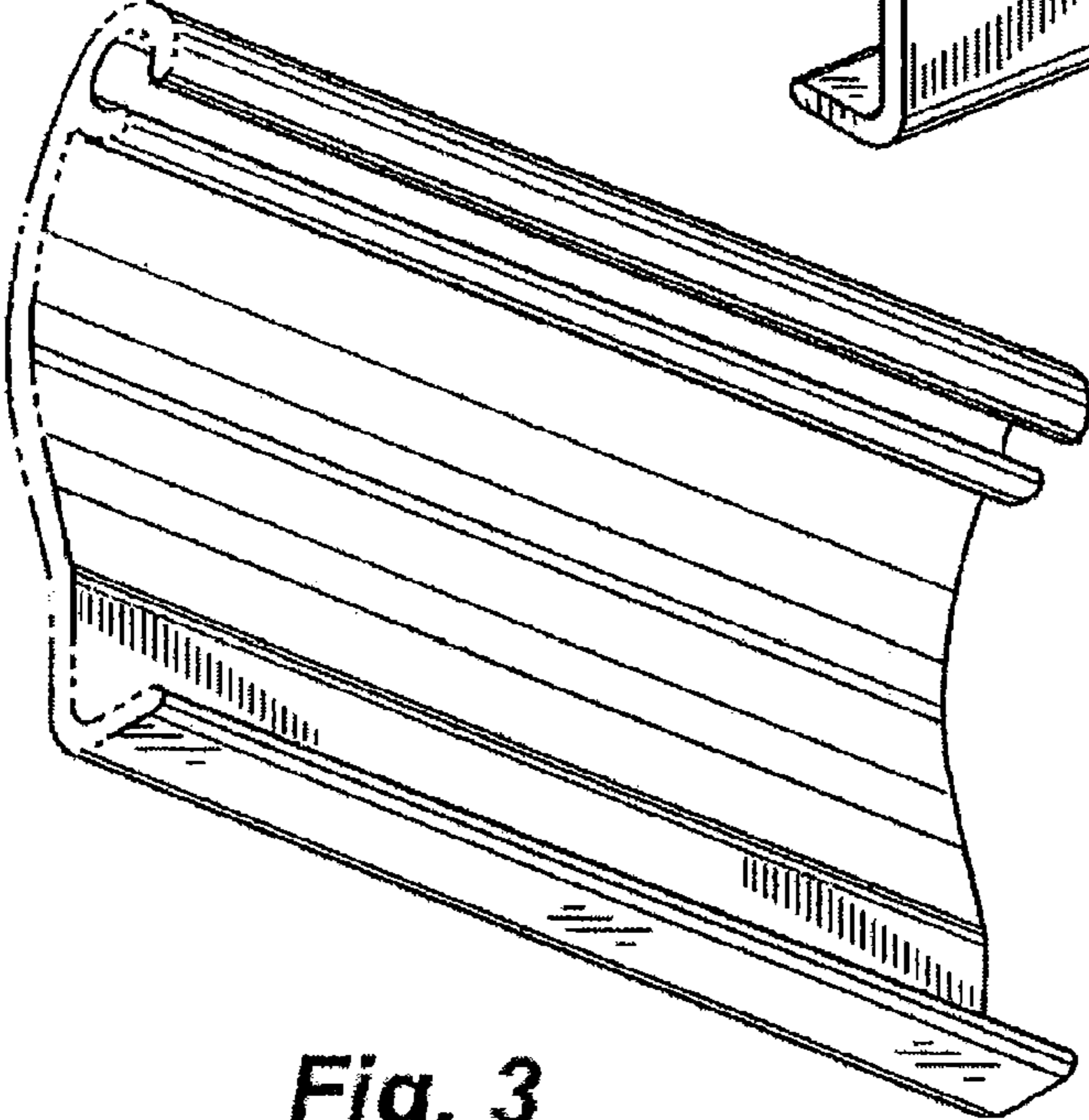


Fig. 3

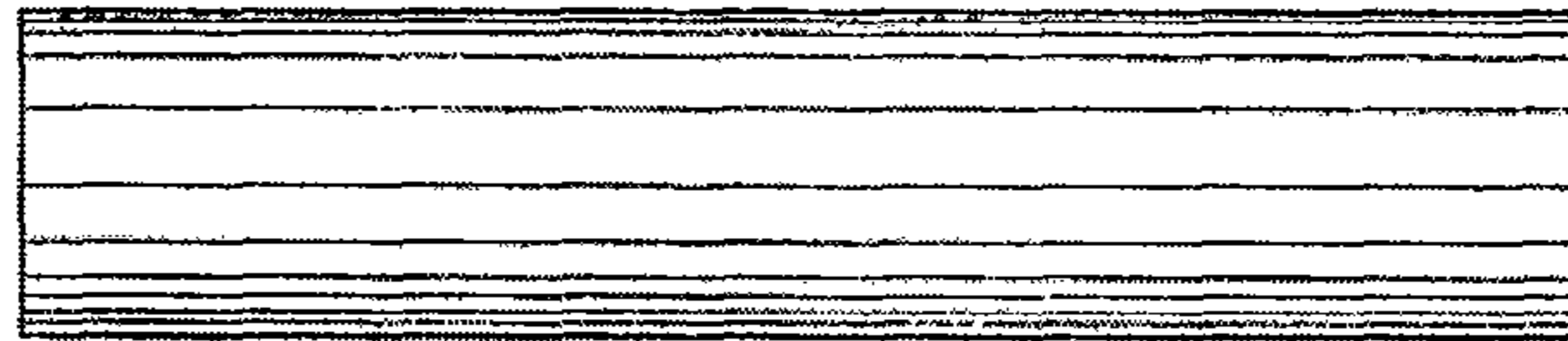


Fig. 6



Fig. 4

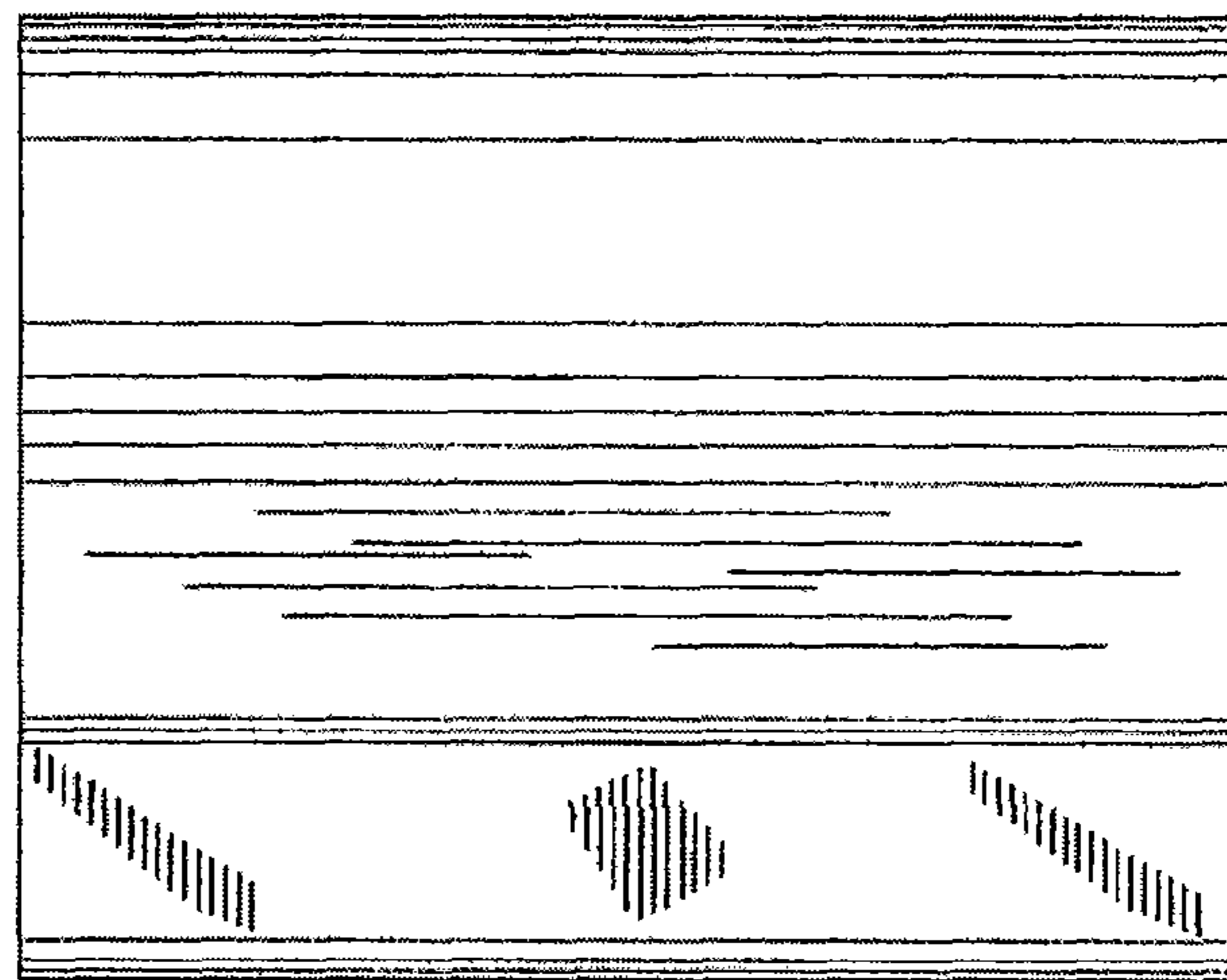


Fig. 5



Fig. 7

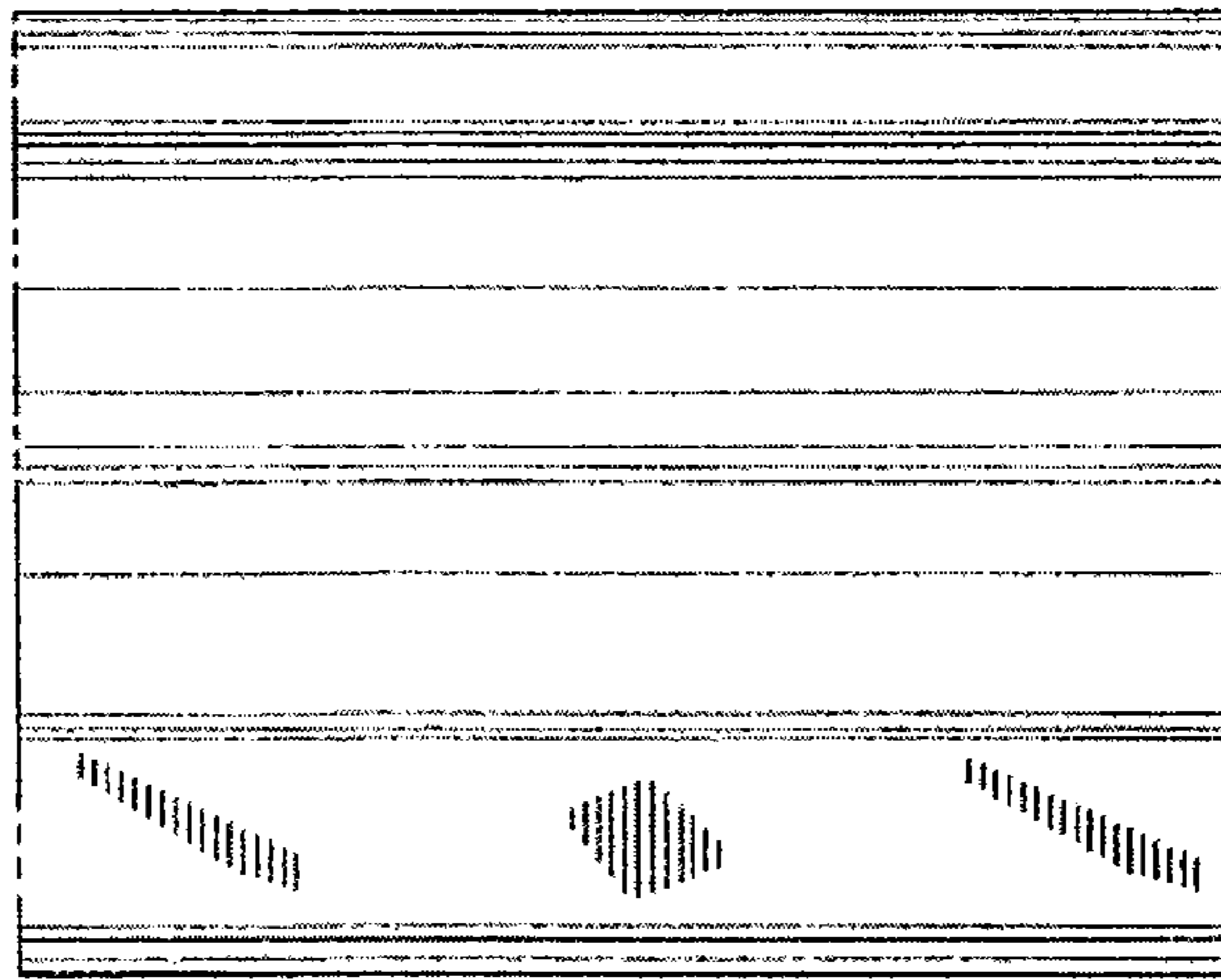


Fig. 8

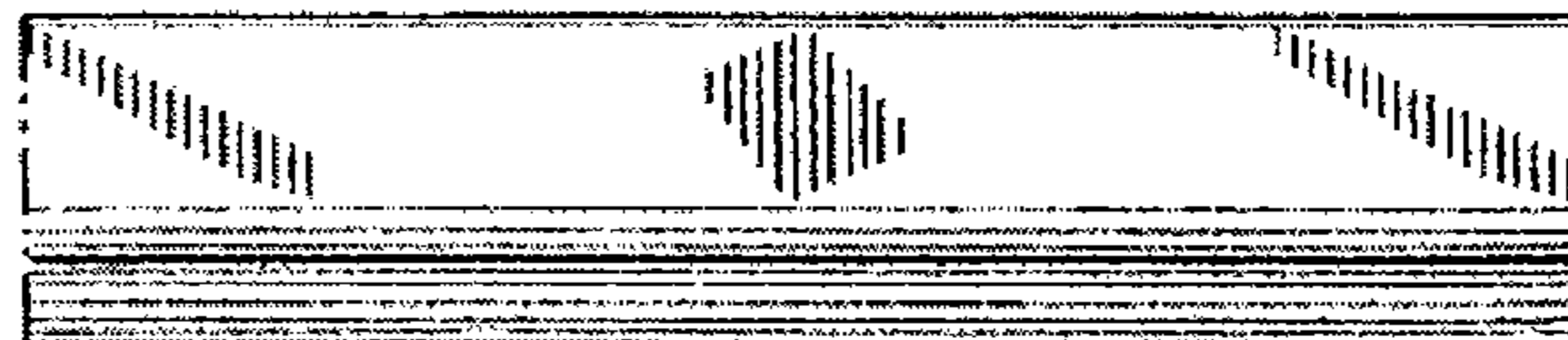


Fig. 9

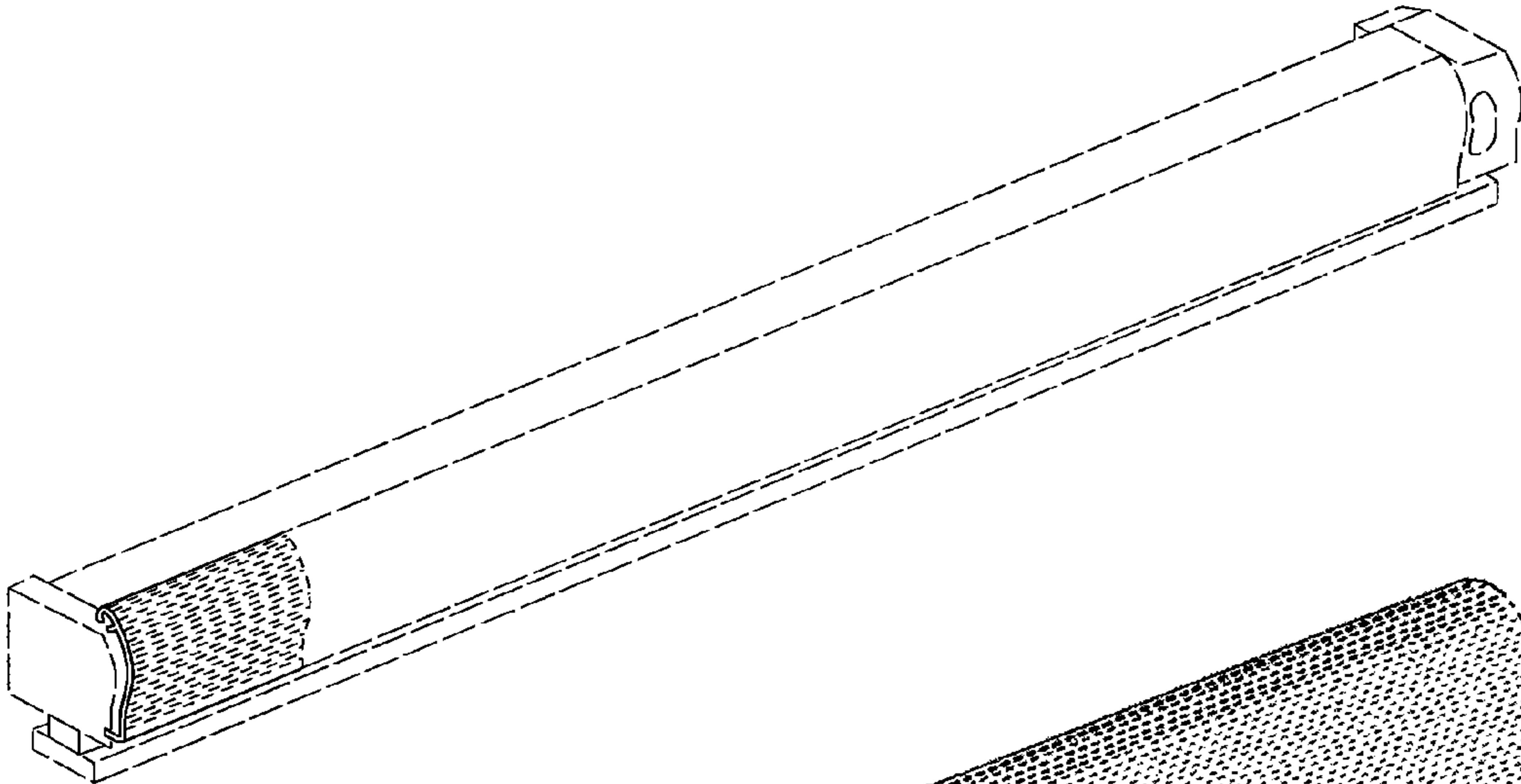


Fig. 10

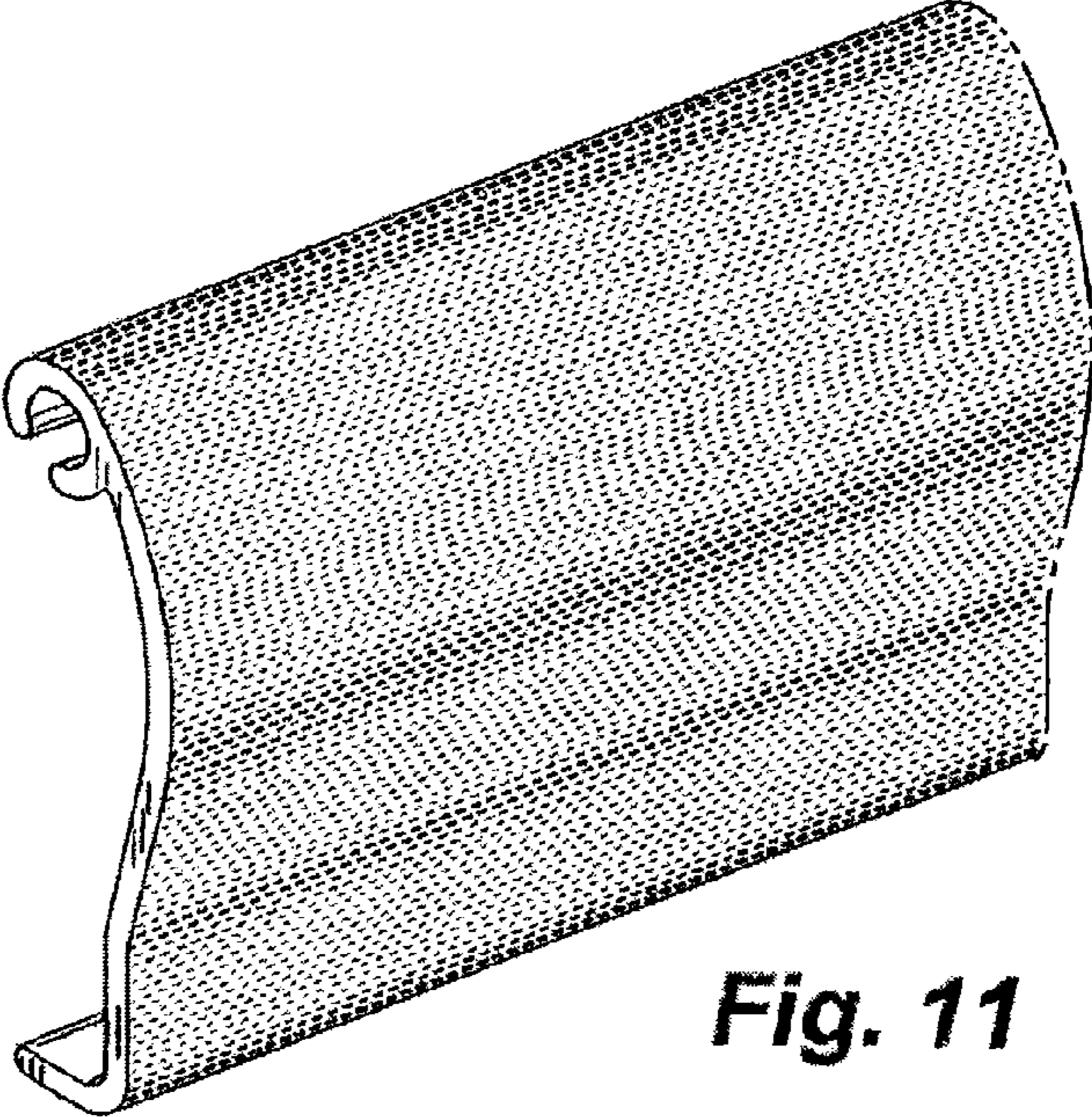


Fig. 11

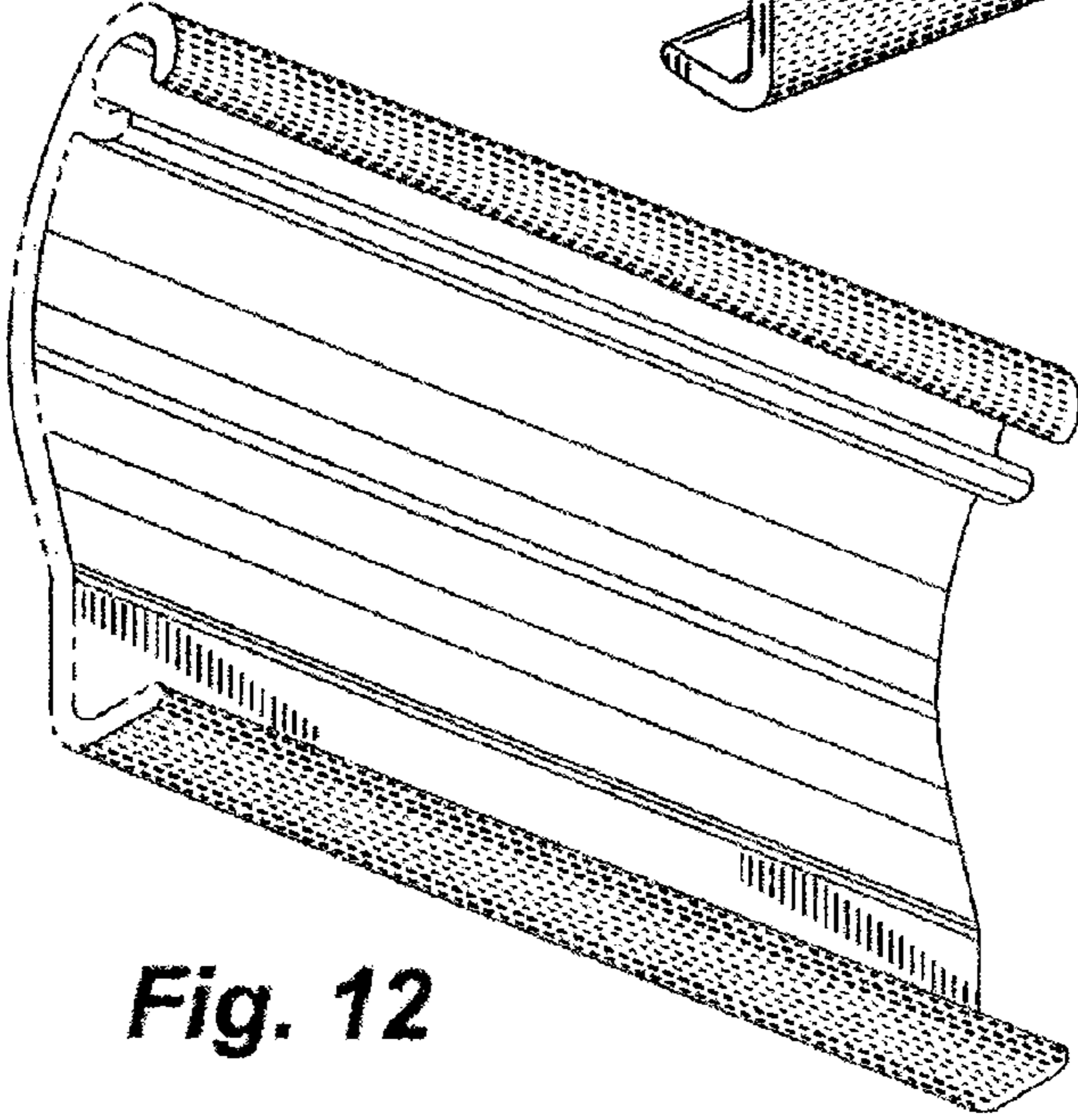


Fig. 12

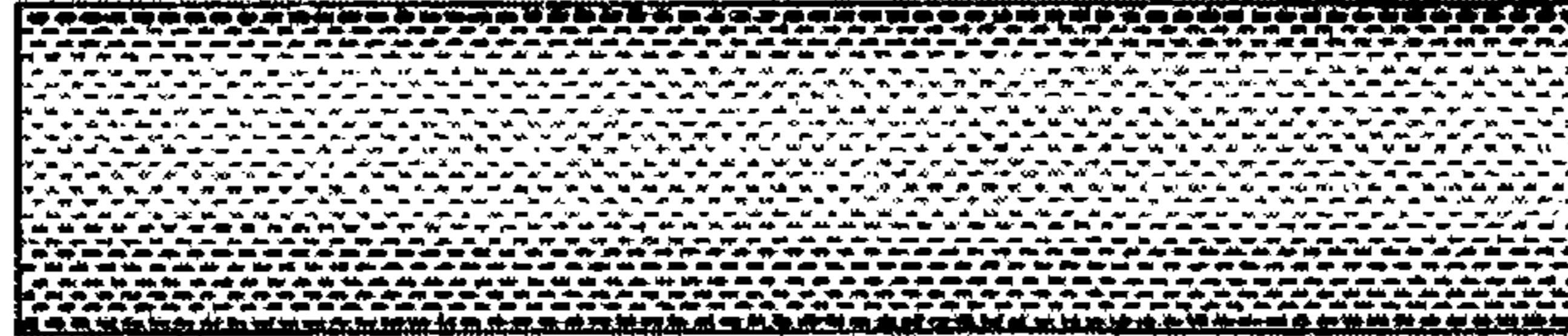


Fig. 13

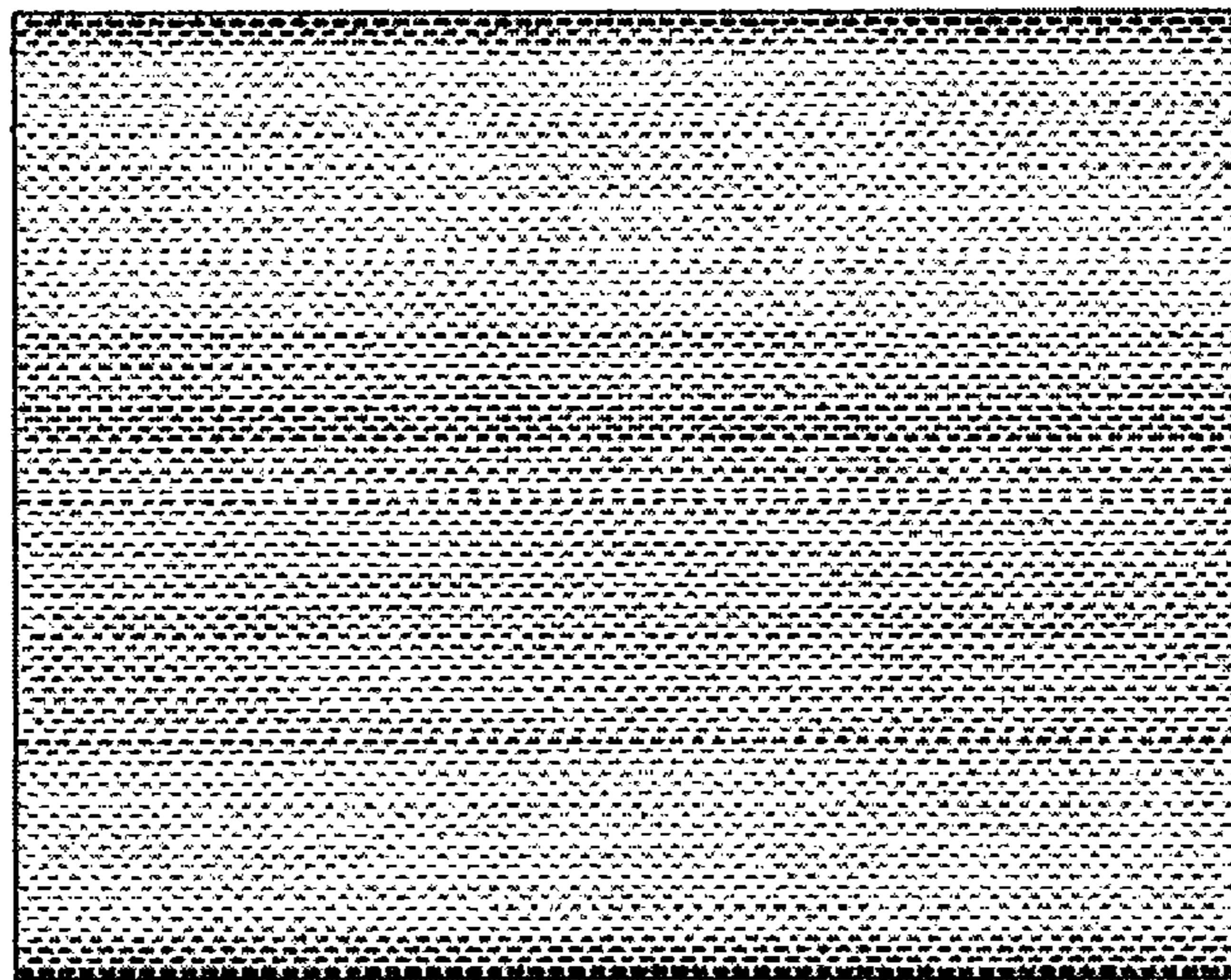


Fig. 14

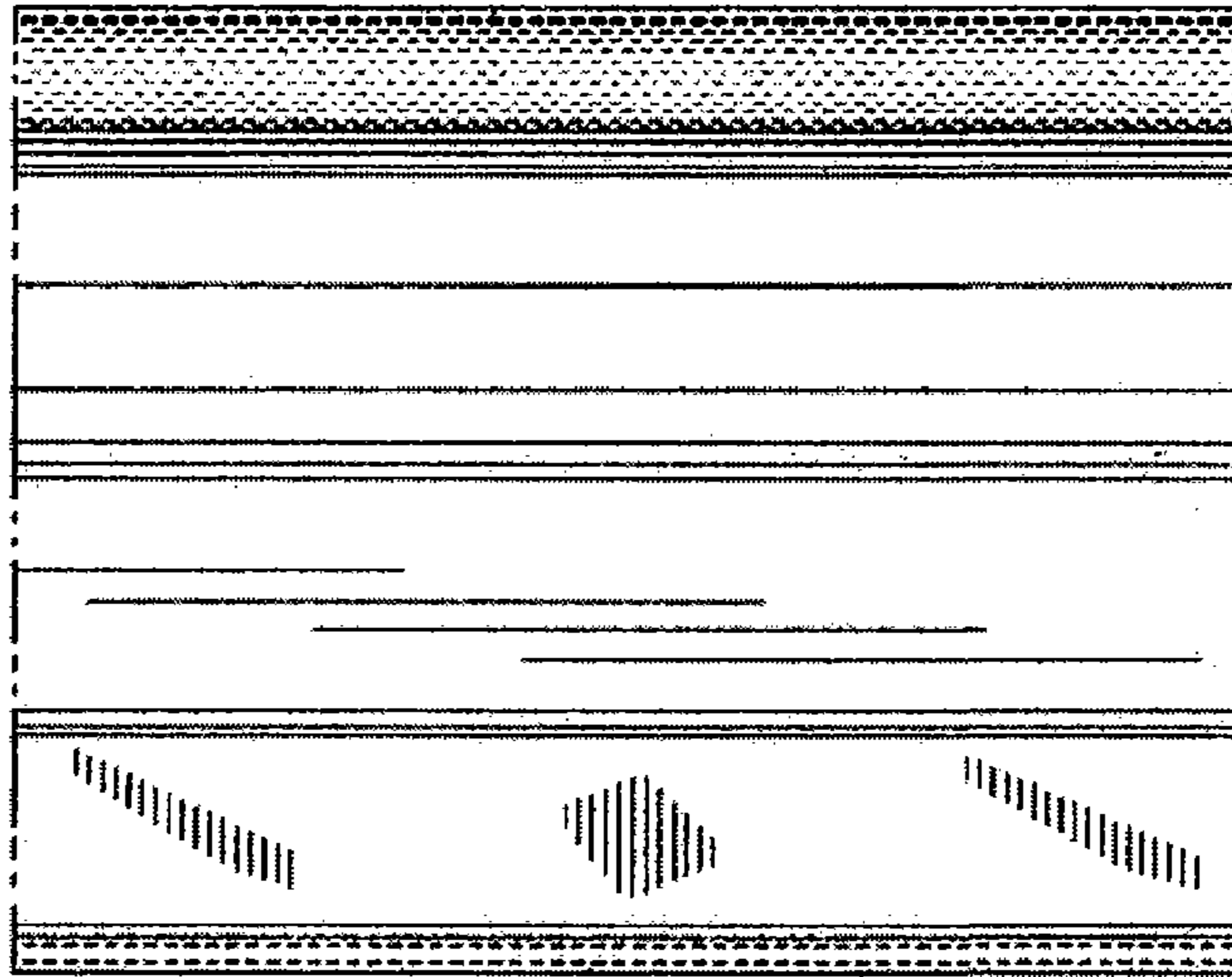


Fig. 15

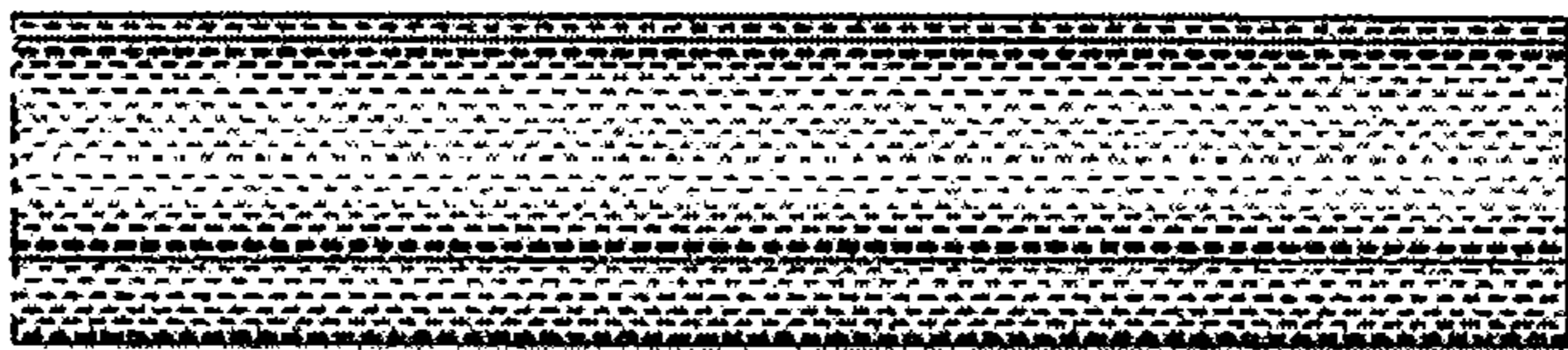


Fig. 16