



US00D633317S

(12) **United States Design Patent**
Walters

(10) **Patent No.:** **US D633,317 S**
(45) **Date of Patent:** **** Mar. 1, 2011**

(54) **PAPER TOWEL HOLDER**

(76) Inventor: **Timothy J. Walters**, Fort Myers, FL
(US)

(**) Term: **14 Years**

(21) Appl. No.: **29/375,499**

(22) Filed: **Sep. 23, 2010**

(51) **LOC (9) Cl.** **23-02**

(52) **U.S. Cl.** **D6/522**

(58) **Field of Classification Search** D6/518-524,
D6/546-550; 108/28-29; 211/13.1, 16,
211/60.1, 86.01, 87.01, 88.01, 88.04, 100,
211/105.1, 105.2, 123, 181.1, 182; 248/175,
248/176.1, 251, 302; 16/110.1, 415; 242/570,
242/590, 595-598; D8/300, 303, 315-321
See application file for complete search history.

(56) **References Cited**

U.S. PATENT DOCUMENTS

2,142,194 A	1/1939	Karfiol	
2,974,806 A	3/1961	Seewack	
3,885,768 A	5/1975	Frye	
3,955,715 A	5/1976	Topot	
4,205,802 A	6/1980	Economakis	
4,671,480 A	6/1987	Frye	
4,756,498 A	7/1988	Frye	
5,121,896 A	6/1992	Frye	
D405,992 S *	2/1999	Lee et al.	D6/522
5,913,480 A	6/1999	Luhmann	
D486,680 S *	2/2004	AlJizawi	D6/522

6,749,165 B2	6/2004	Immerman
6,895,642 B2	5/2005	Huang
2006/0168720 A1	8/2006	Dellarocca
2008/0026213 A1	1/2008	Lan
2009/0184219 A1	7/2009	Chen
2009/0206102 A1	8/2009	Beck
2010/0038502 A1	2/2010	Lan

FOREIGN PATENT DOCUMENTS

CA	2119677	5/2005
JP	4361180	8/2001

* cited by examiner

Primary Examiner—Brian N Vinson

(74) *Attorney, Agent, or Firm*—The Livingston Firm; Edward M. Livingston; Bryan L. Loeffler

(57) **CLAIM**

The ornamental design for a paper towel holder, as shown and described.

DESCRIPTION

FIG. 1 is a front view of the paper towel holder of the present invention;

FIG. 2 is a rear view of the paper towel holder;

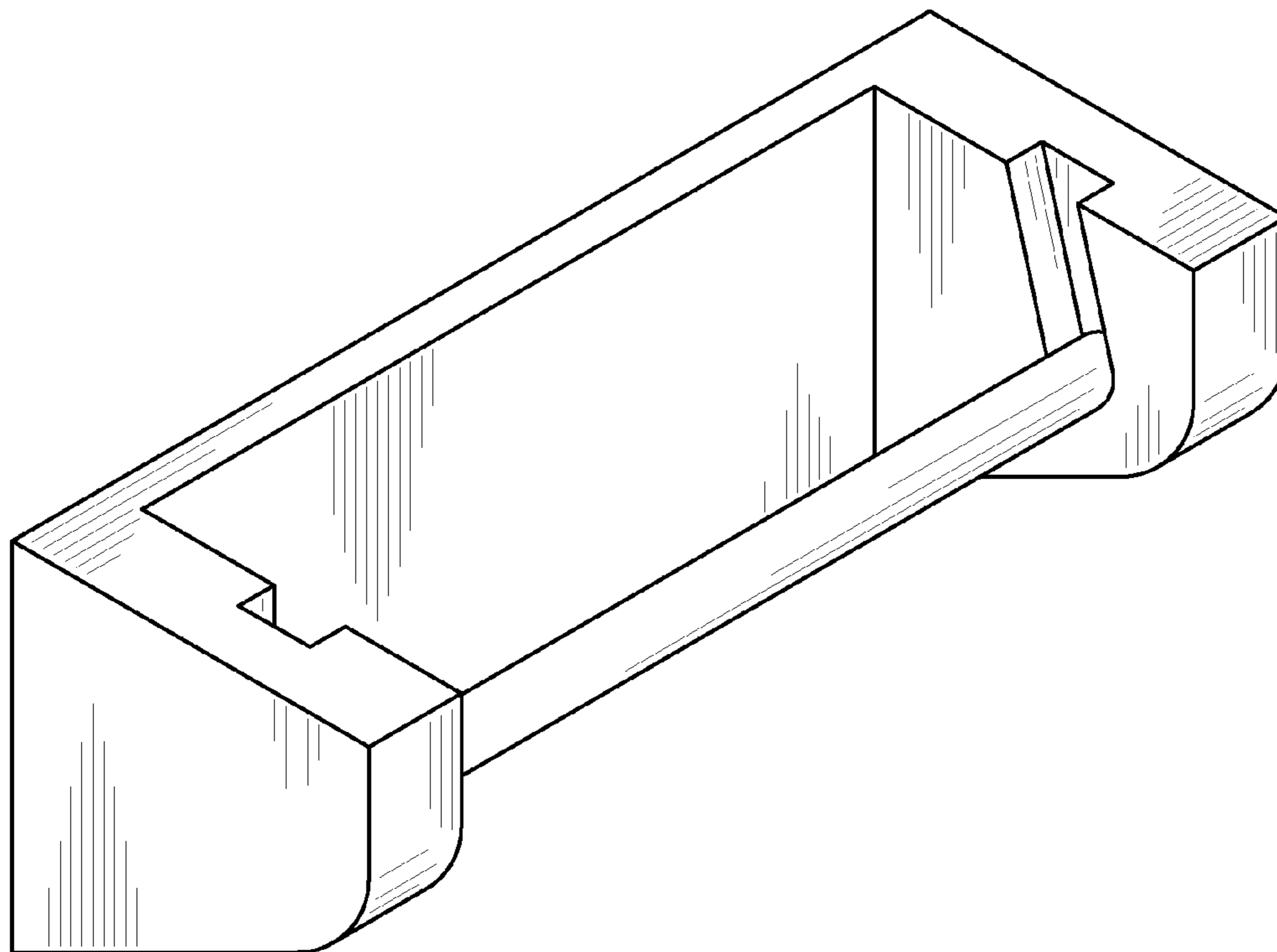
FIG. 3 is a left side perspective view of the paper towel holder;

FIG. 4 is a right side perspective view of the paper towel holder;

FIG. 5 is a top view of the paper towel holder; and,

FIG. 6 is a bottom view of the paper towel holder.

1 Claim, 2 Drawing Sheets



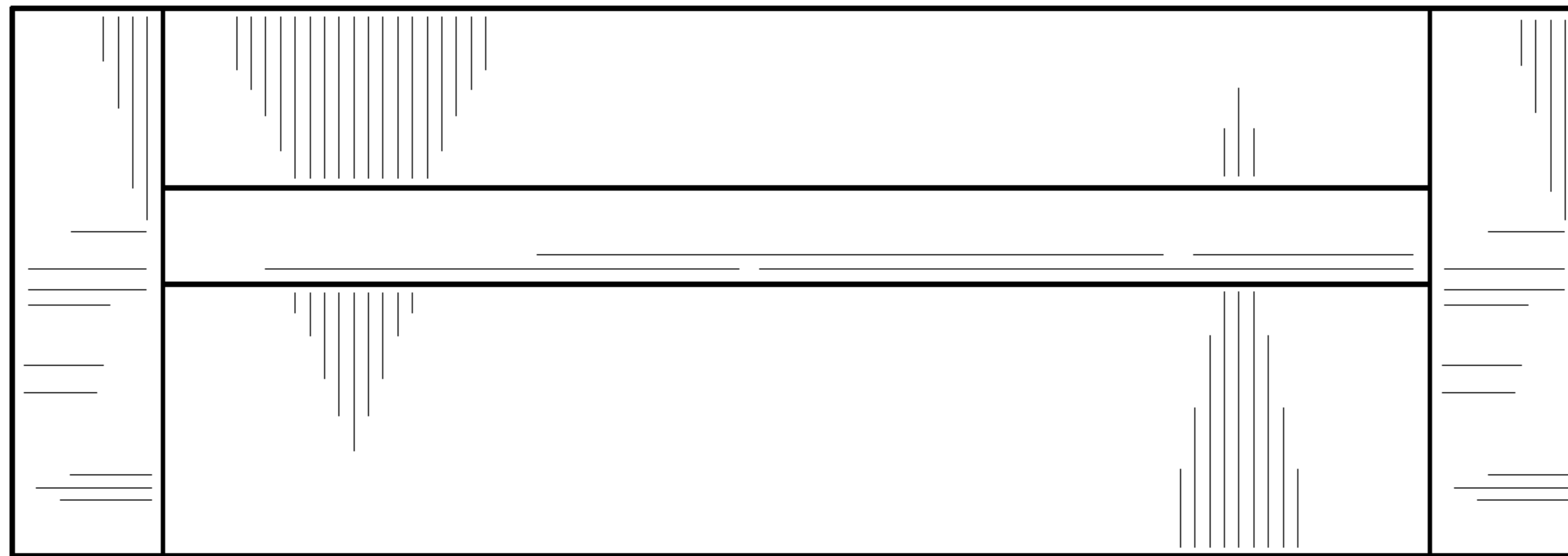


FIG. 1

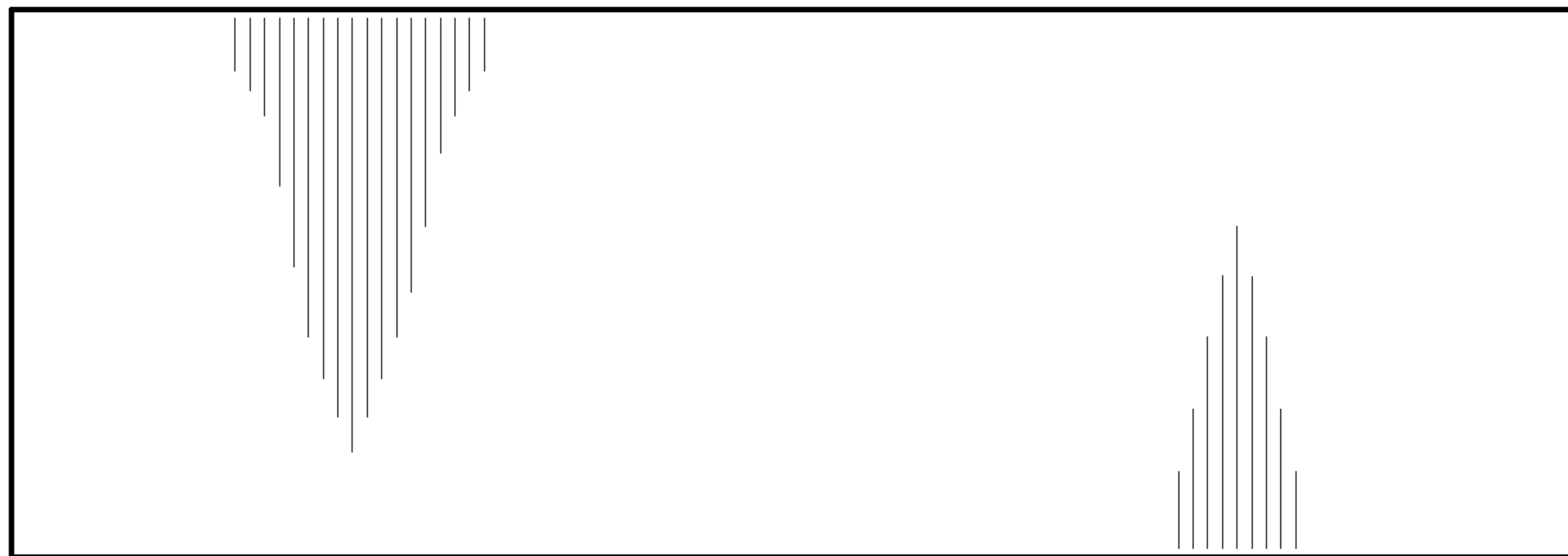


FIG. 2

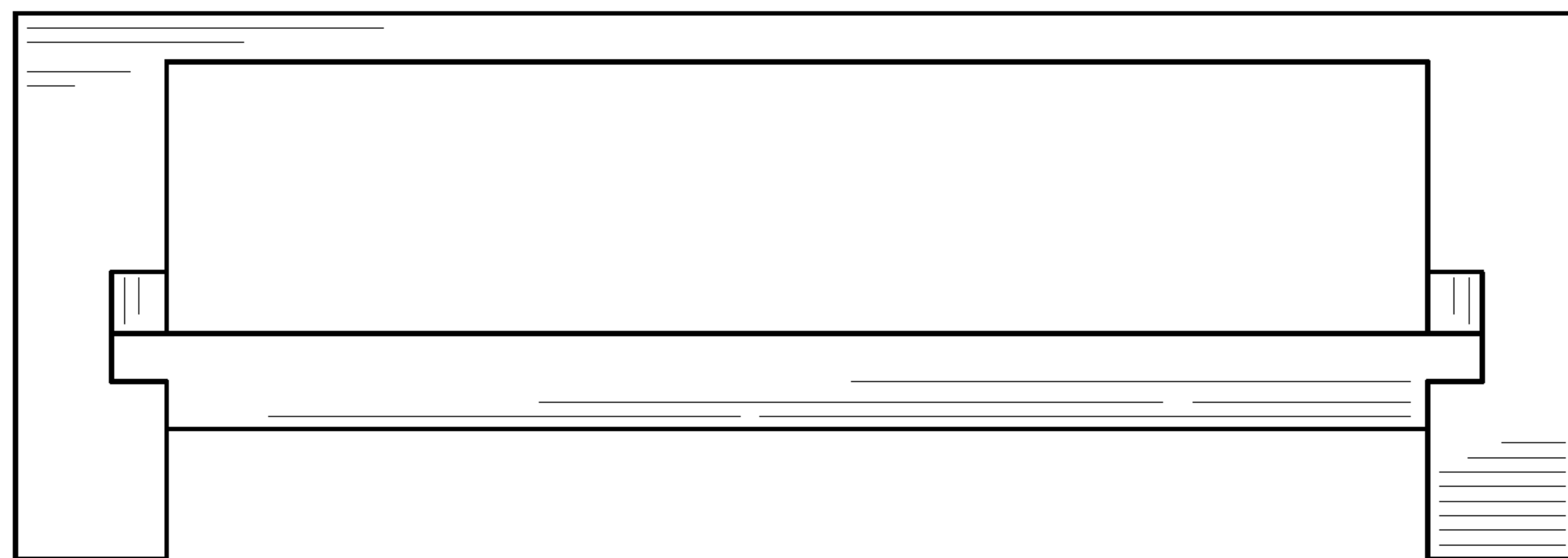


FIG. 5

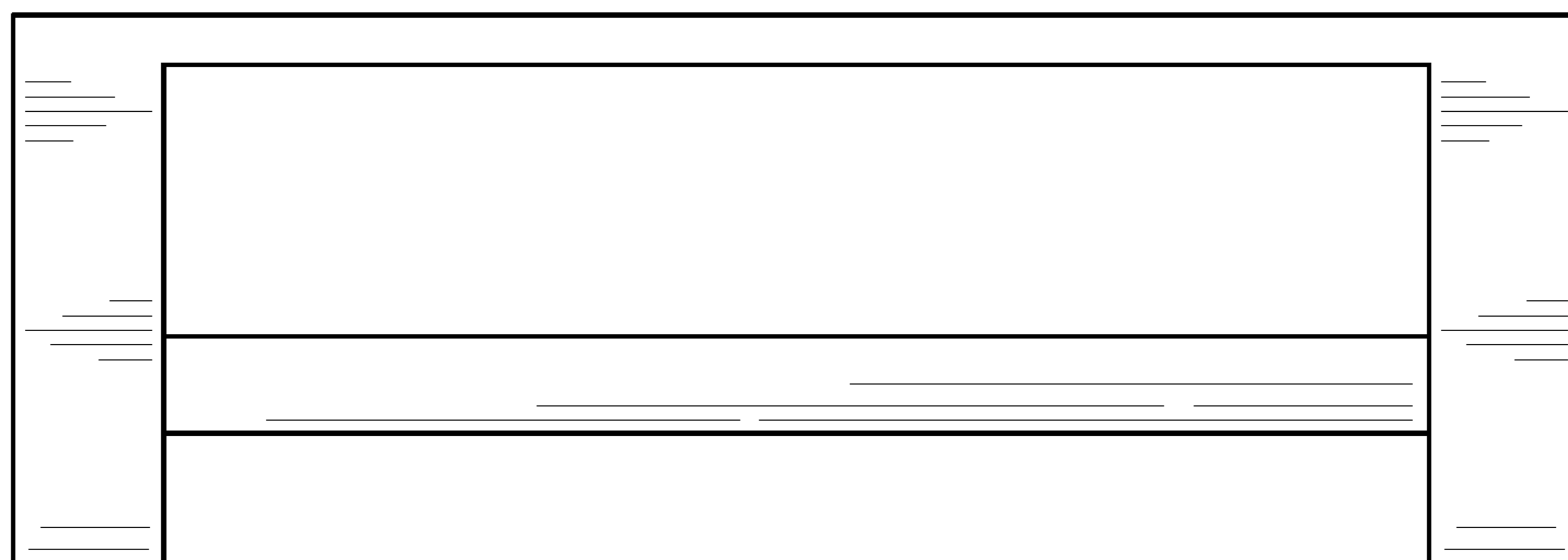


FIG. 6

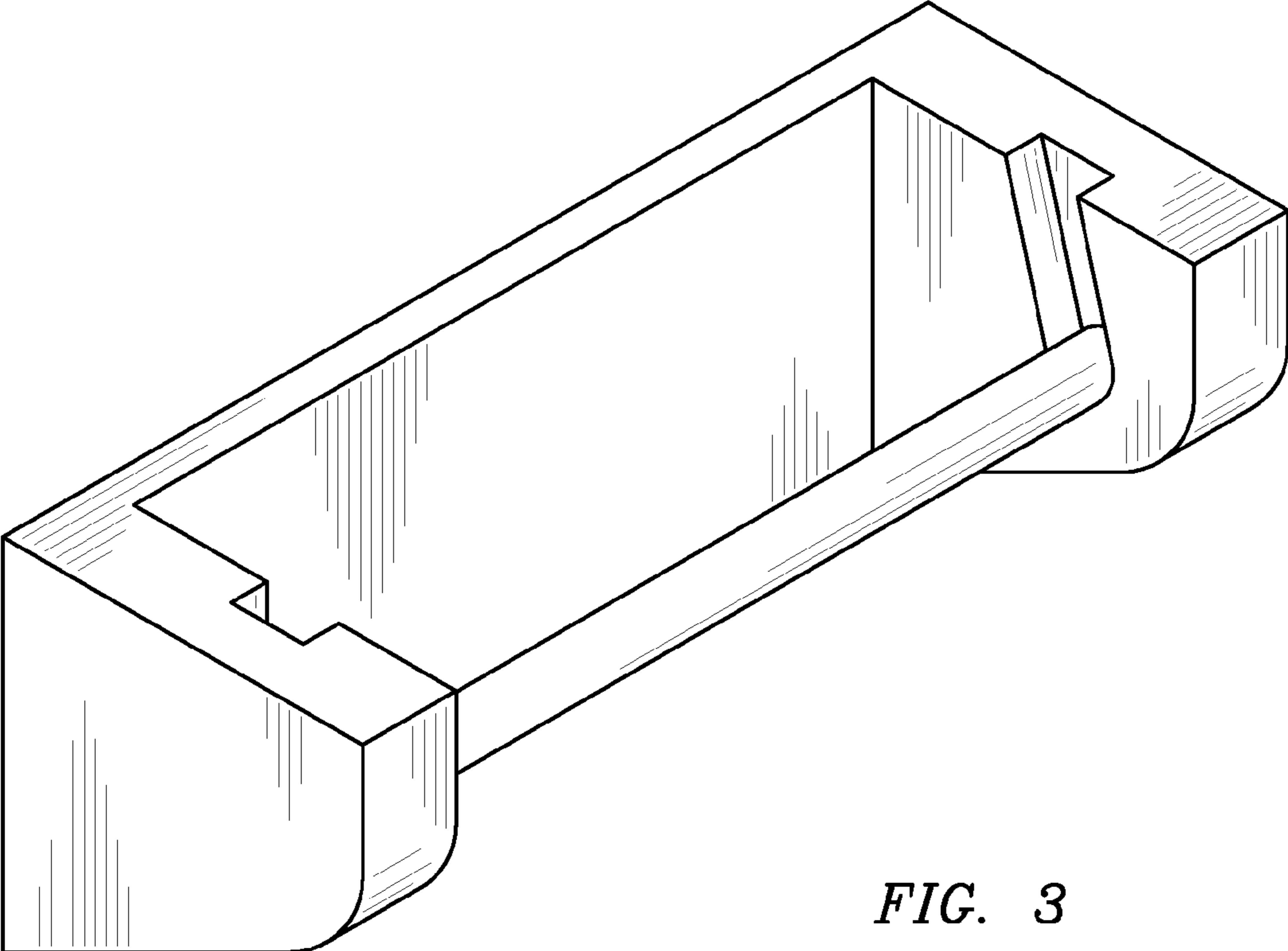


FIG. 3

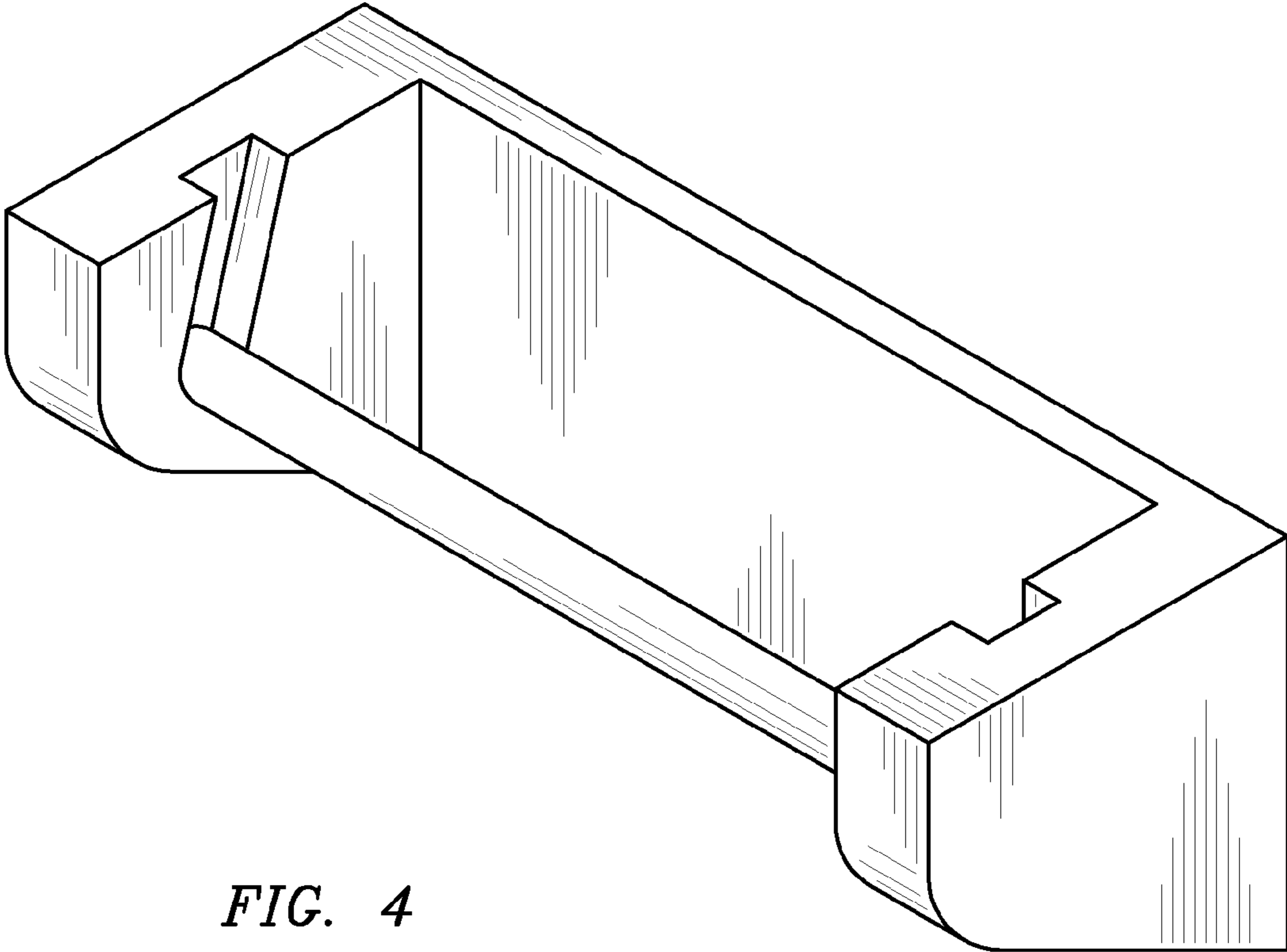


FIG. 4