



US00D633316S

(12) **United States Design Patent**  
**Livengood et al.**

(10) **Patent No.:** **US D633,316 S**  
(45) **Date of Patent:** **\*\* Mar. 1, 2011**

(54) **ATTACHMENT FOR DRAWER**

(75) Inventors: **Joseph C. Livengood**, Fort Collins, CO (US); **Philip A. Livengood**, Fort Collins, CO (US); **Barry T. Phillips**, Fort Collins, CO (US); **Chad Hosack**, Tigard, OR (US)

(73) Assignee: **Livengood Engineering, Inc.**, Fort Collins, CO (US)

(\*\*) Term: **14 Years**

(21) Appl. No.: **29/350,535**

(22) Filed: **Nov. 18, 2009**

(51) **LOC (9) Cl.** ..... **06-02**

(52) **U.S. Cl.** ..... **D6/510**

(58) **Field of Classification Search** ..... D3/201,  
D3/203.1, 203.6, 205-206, 273, 301, 900,  
D3/901, 903, 295; 190/100, 115; 206/223,  
206/569-570, 581, 823, 601.1, 777; 211/85.2;  
D6/440, 448, 445, 466, 510; D9/422, 426,  
D9/418, 749; 220/315, 350

See application file for complete search history.

(56) **References Cited**

**U.S. PATENT DOCUMENTS**

D140,243	S	*	2/1945	Wemyss	.....	D6/466
2,472,582	A	*	6/1949	Green	.....	220/315
2,711,819	A	*	6/1955	Vander Lugt, Jr.	.....	206/777
4,342,403	A	*	8/1982	Badtke et al.	.....	220/350
D479,462	S	*	9/2003	Chan	.....	D9/422
D522,855	S	*	6/2006	Liebe et al.	.....	D9/426
D595,125	S	*	6/2009	Doyle	.....	D9/418
D620,376	S	*	7/2010	Peysen et al.	.....	D9/749
2008/0197091	A1		8/2008	Lim et al.		
2008/0203861	A1		8/2008	Wingate		

**OTHER PUBLICATIONS**

Stainless Steel Medication Box—With Combo Lock—Medication Lock Boxes—Medication Storage, eGeneralMedical.com, available at <http://www.egeneralmedical.com/mk1-m18747.html>, 3 pages. Livengood et al., U.S. Appl. No. 61/262,364, filed Nov. 18, 2009, 14 pages.

\* cited by examiner

*Primary Examiner*—Charles A Rademaker

*Assistant Examiner*—Charles D Hanson

(74) *Attorney, Agent, or Firm*—Sheridan Ross P.C.

(57) **CLAIM**

The ornamental design for an attachment for drawer, as shown and described.

**DESCRIPTION**

FIG. 1 is a front perspective view of an attachment for drawer showing our new design;

FIG. 2 is a top plan view of the invention illustrated in FIG. 1;

FIG. 3 is a front elevation view of the invention illustrated in FIG. 1;

FIG. 4 is a left elevation view of the invention illustrated in FIG. 1;

FIG. 5 is a bottom plan view of the invention illustrated in FIG. 1;

FIG. 6 is a rear elevation view of the invention illustrated in FIG. 1;

FIG. 7 is a bottom perspective view of the invention illustrated in FIG. 1;

FIG. 8 is a front perspective view of the frame element of the invention illustrated in FIG. 1, with some of the environment of FIG. 1 removed and with a transparent top plate;

FIG. 9 is a top plan view of the frame of the invention of FIG. 1, with some of the environment removed;

FIG. 10 is a front elevation view of the frame of the invention of FIG. 1, with some of the environment removed;

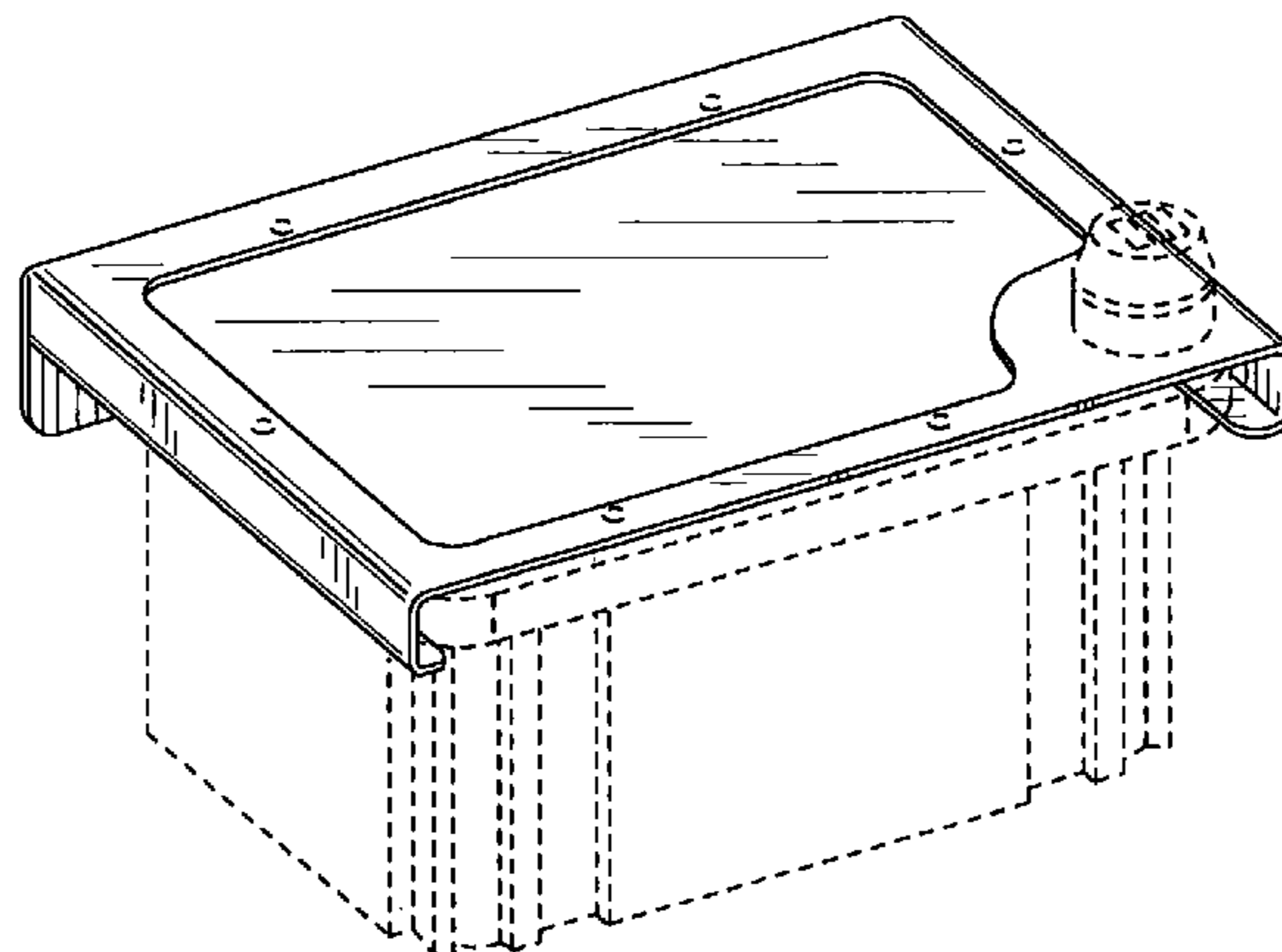
FIG. 11 is a left elevation view of the frame of the invention of FIG. 1, with some of the environment removed;

FIG. 12 is a bottom plan view of the frame of the invention of FIG. 1, with some of the environment removed; and,

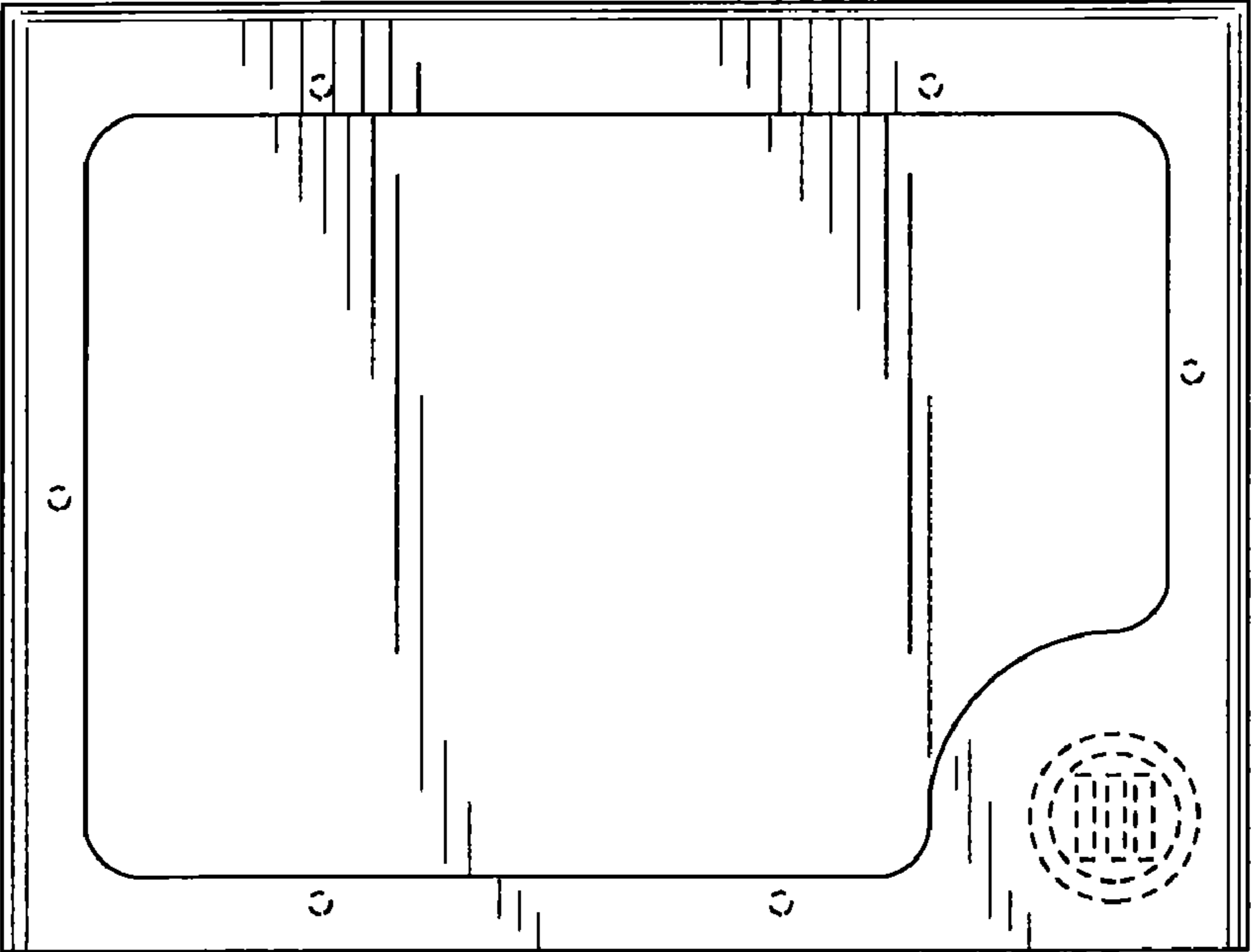
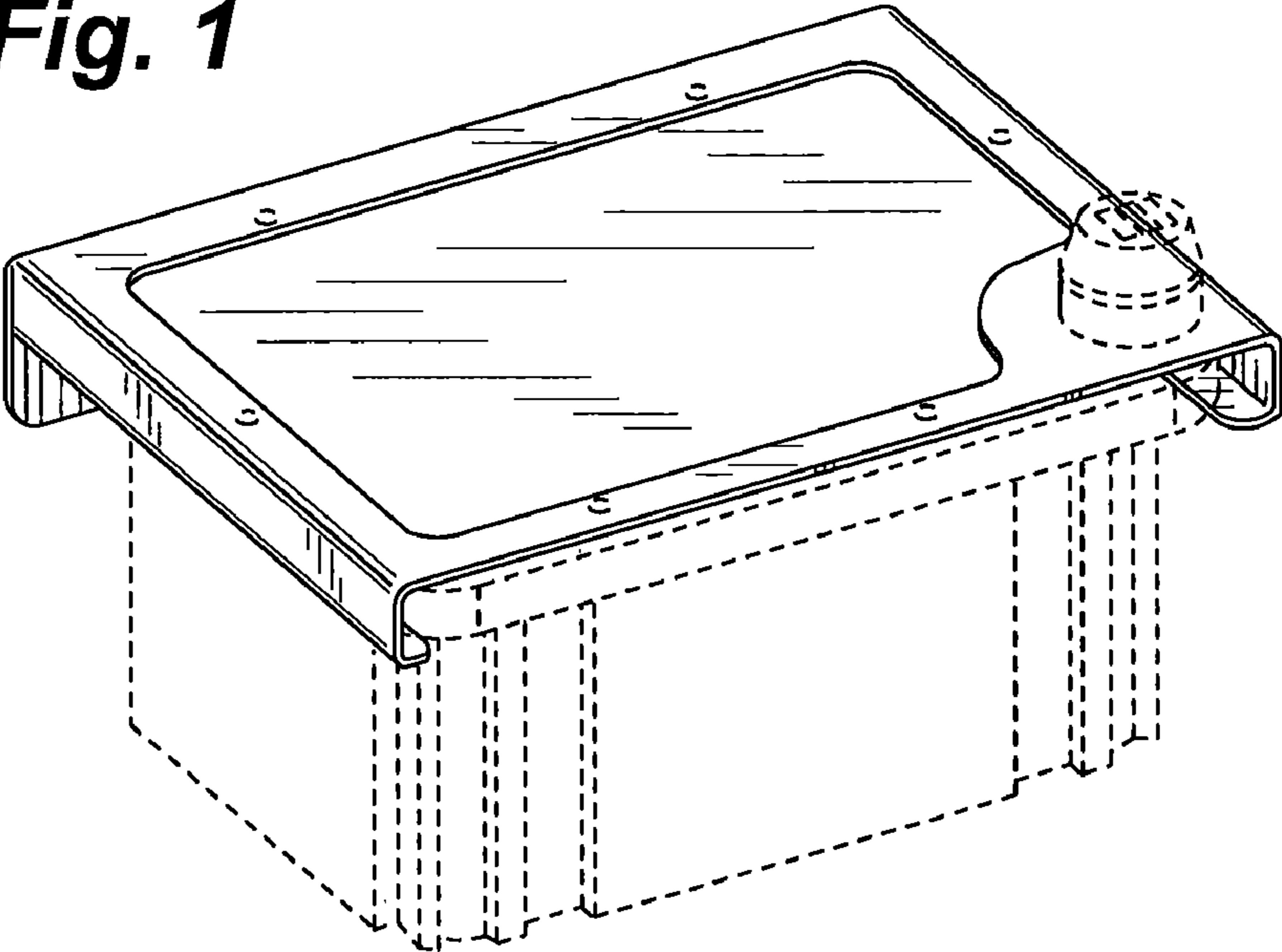
FIG. 13 is a rear elevation view of the frame of the invention of FIG. 1, with some of the environment removed.

The broken line showing is included for the purpose of illustrating environment and forms no part of the claimed design.

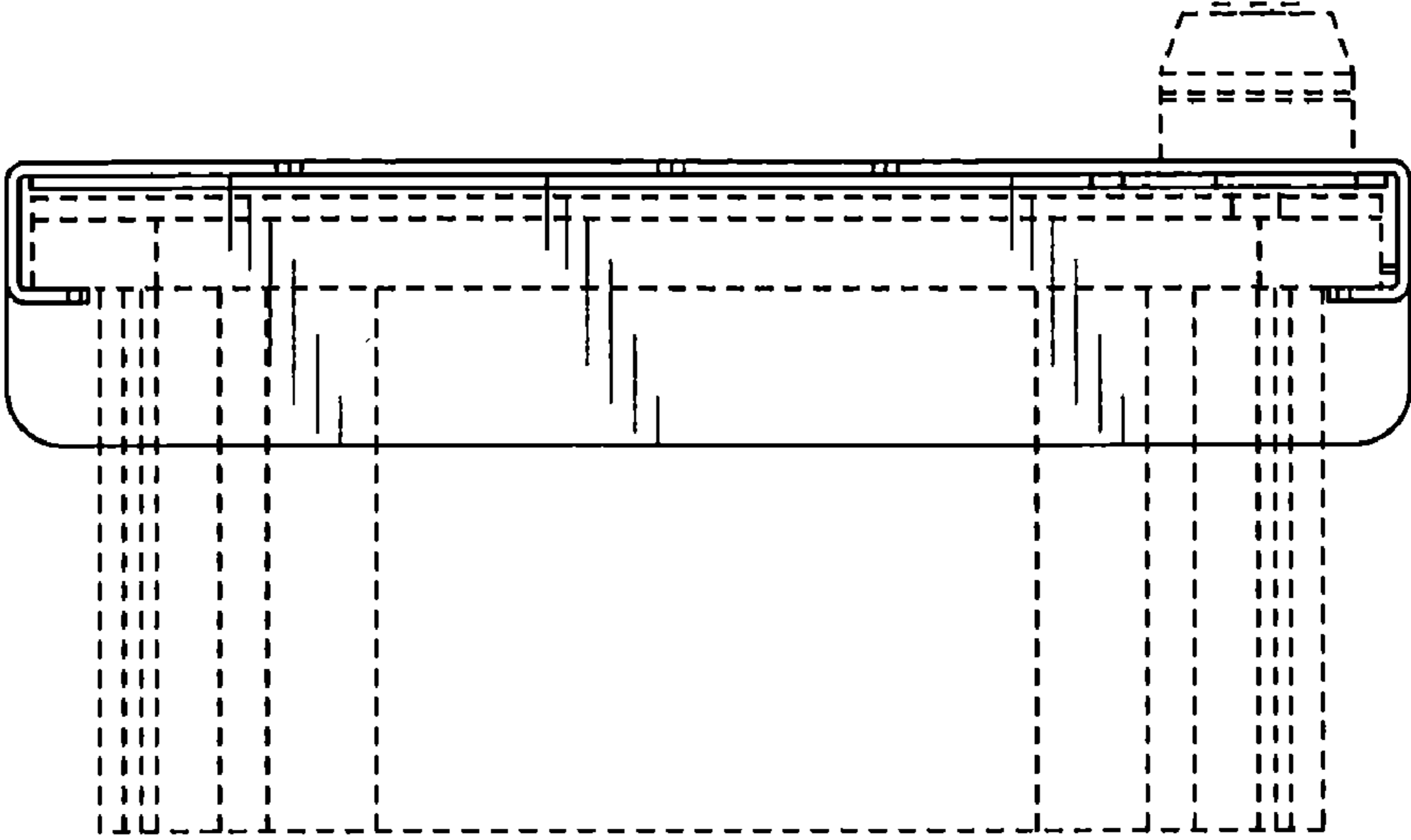
**1 Claim, 7 Drawing Sheets**



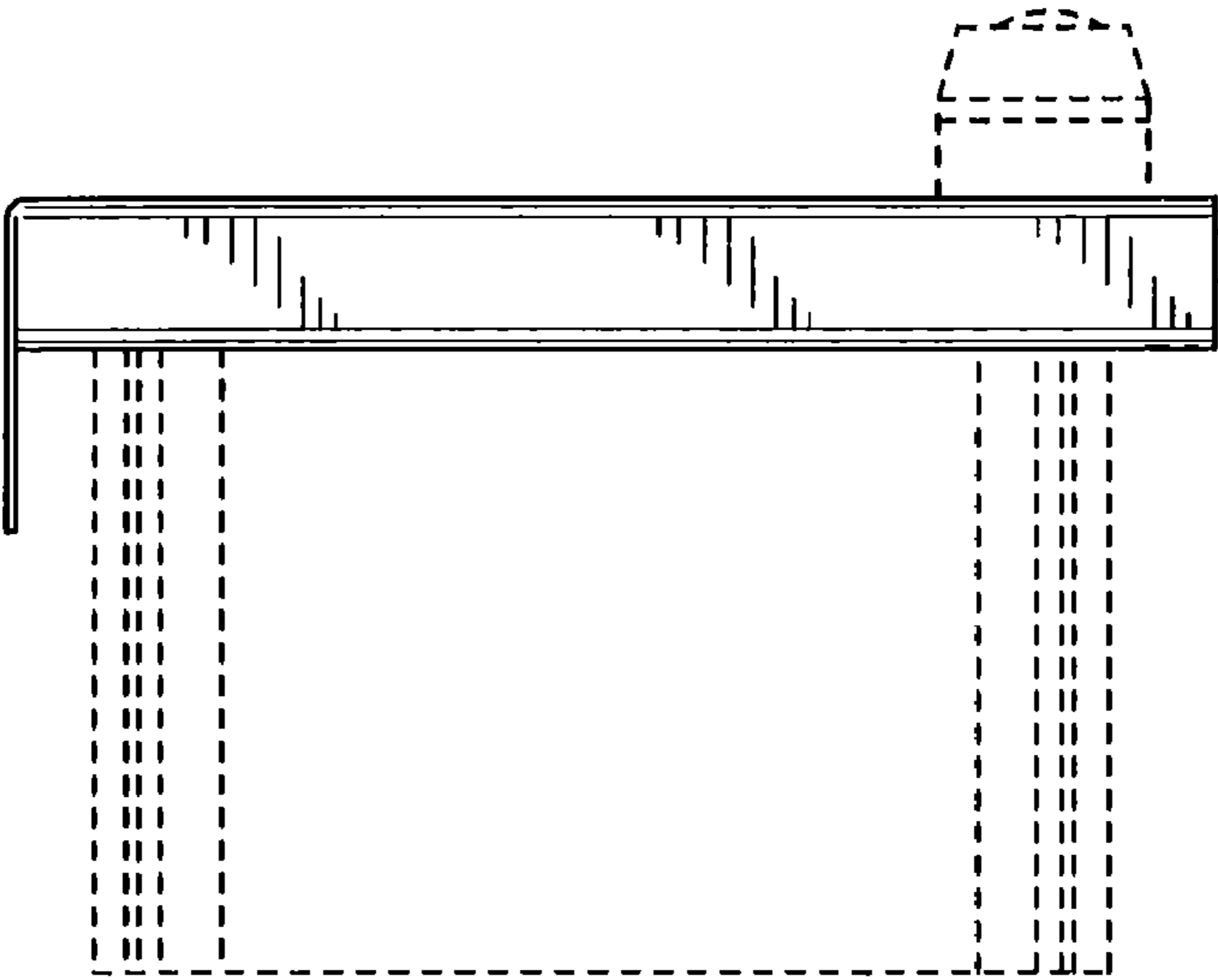
**Fig. 1**



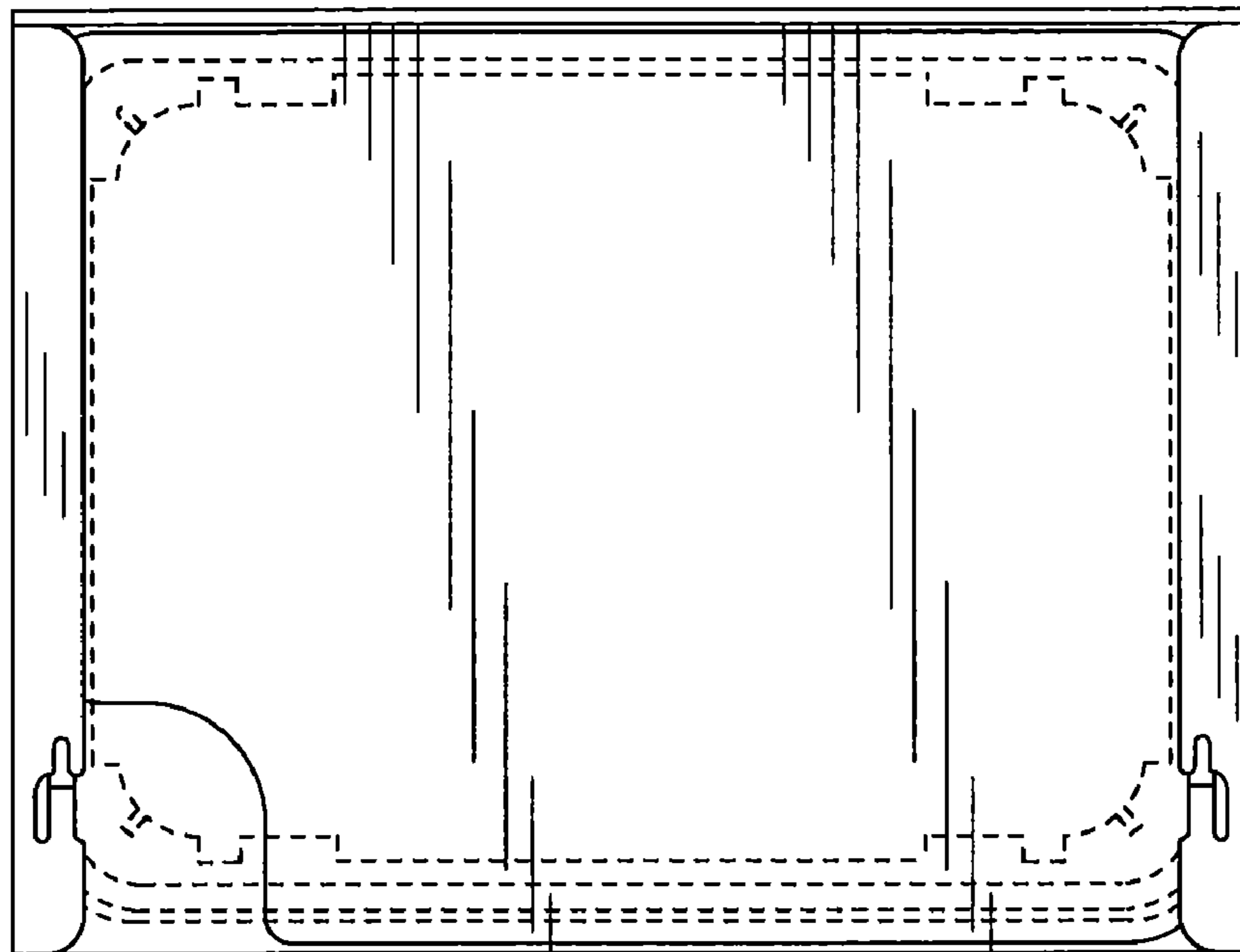
**Fig. 2**



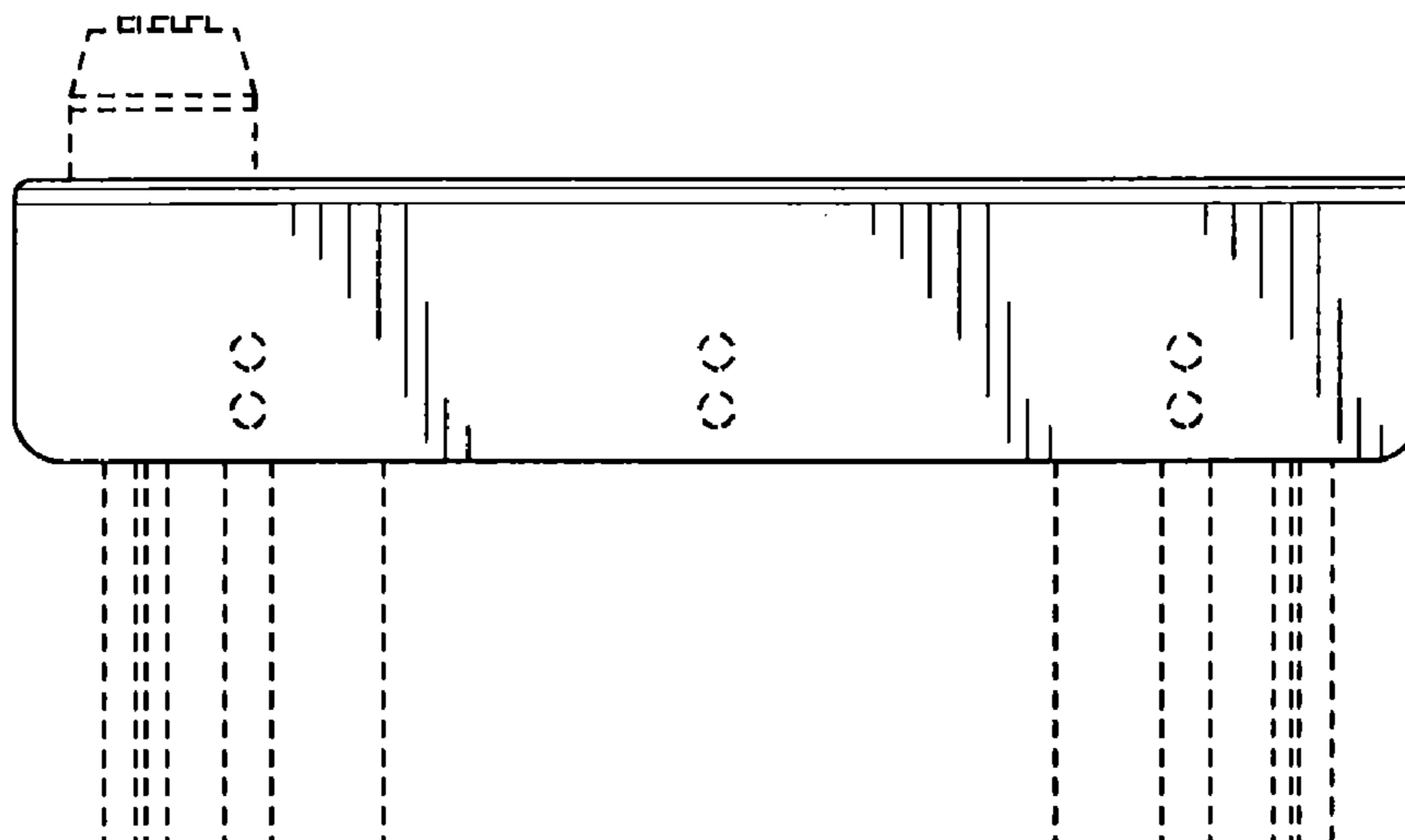
**Fig. 3**



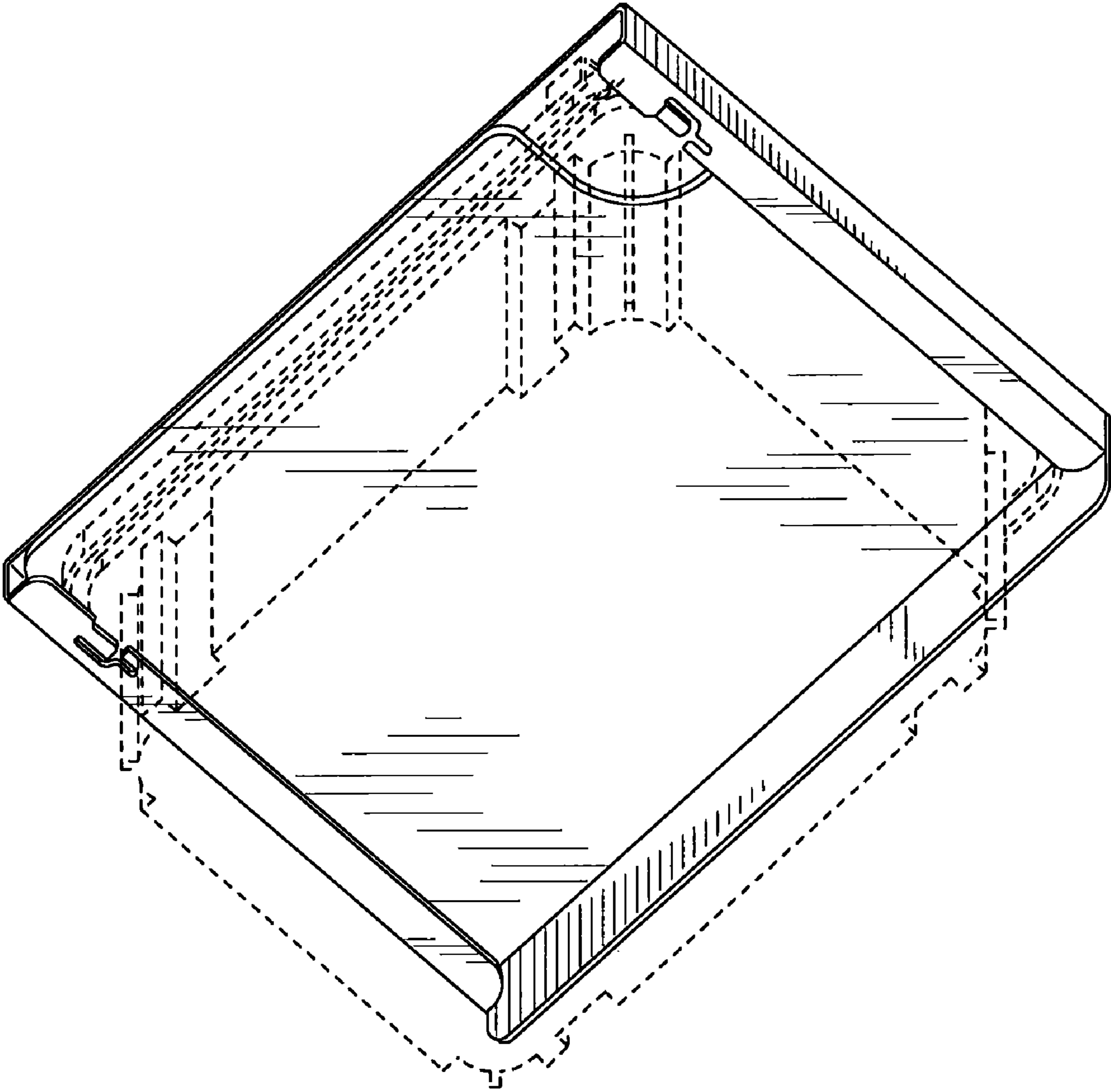
**Fig. 4**



**Fig. 5**

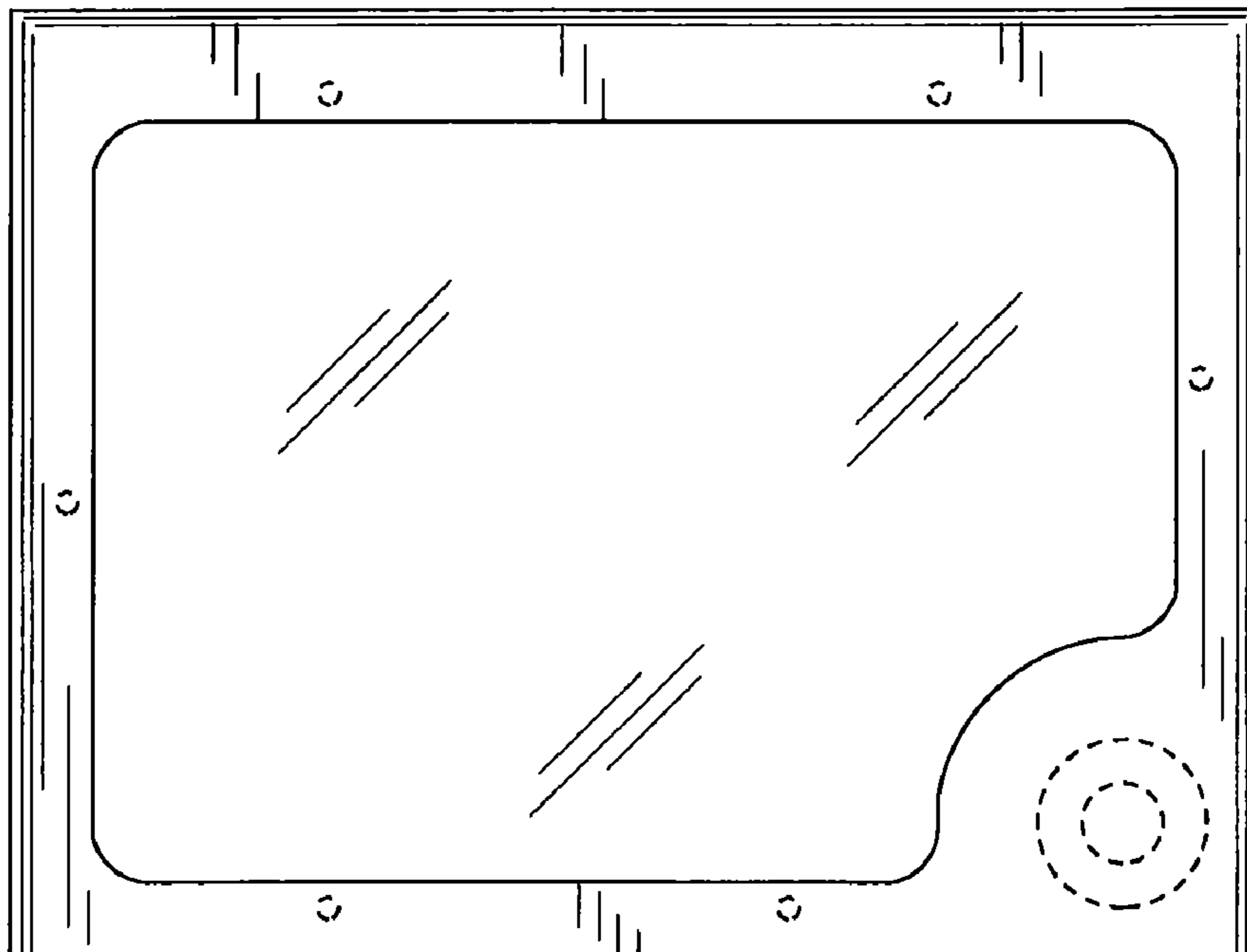
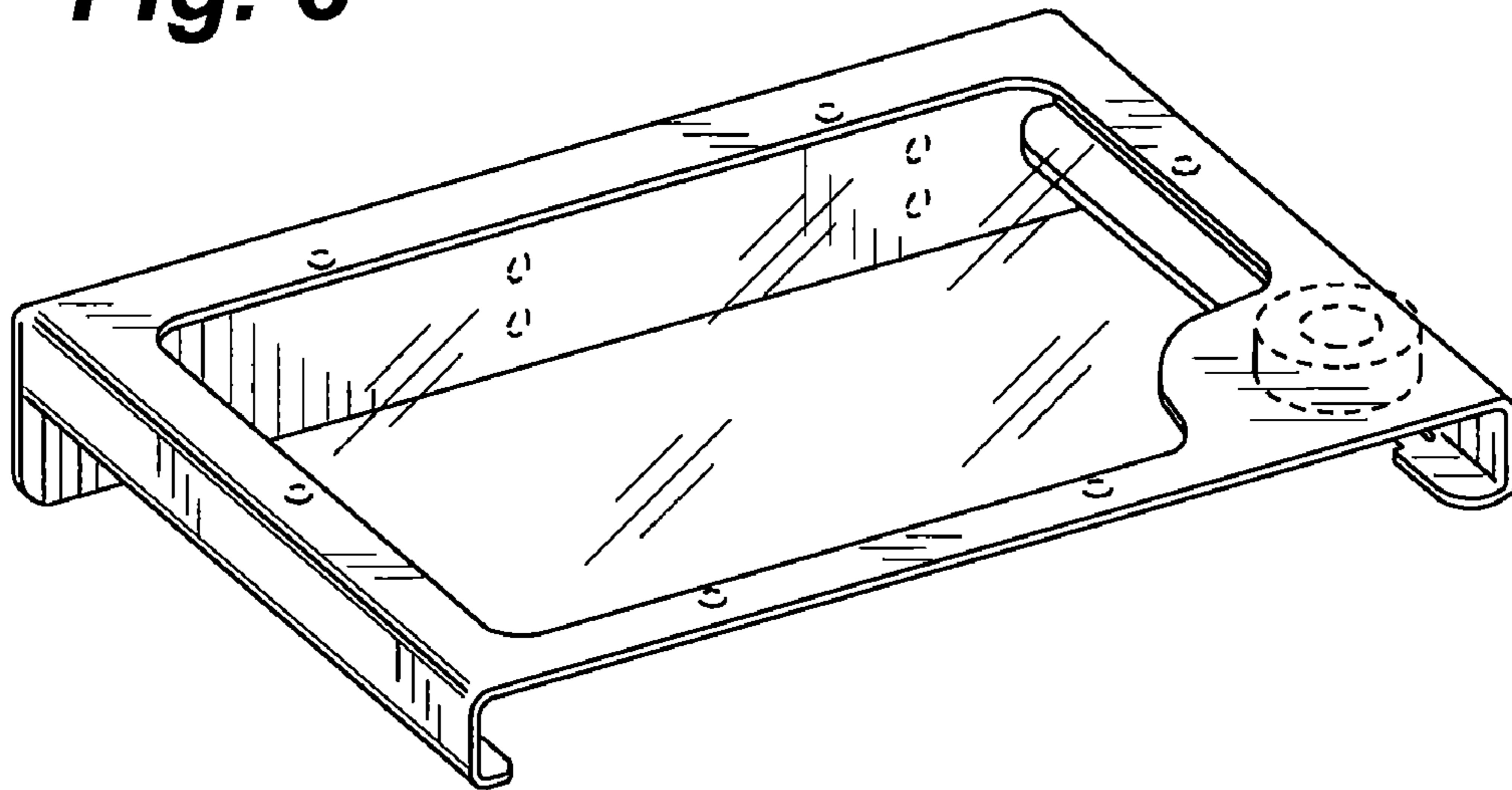


**Fig. 6**

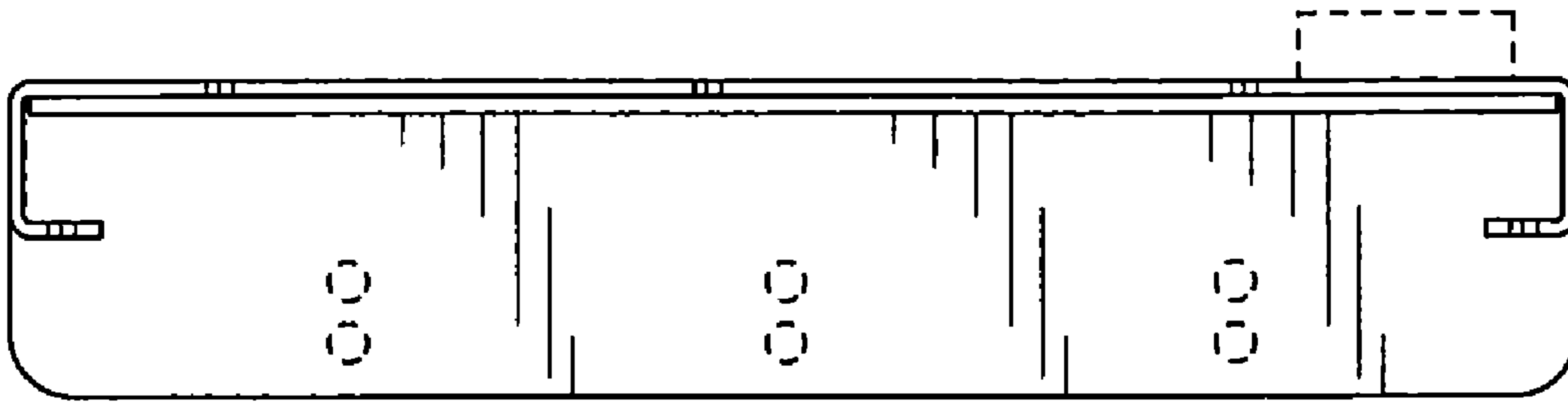


**Fig. 7**

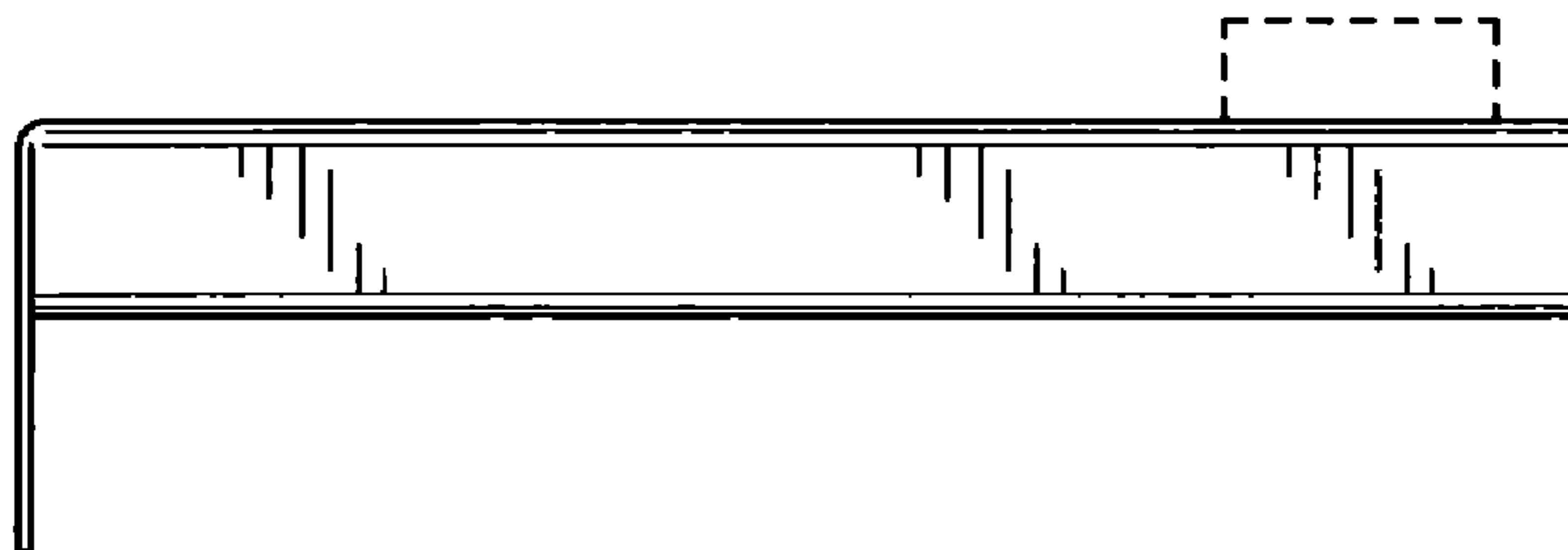
**Fig. 8**



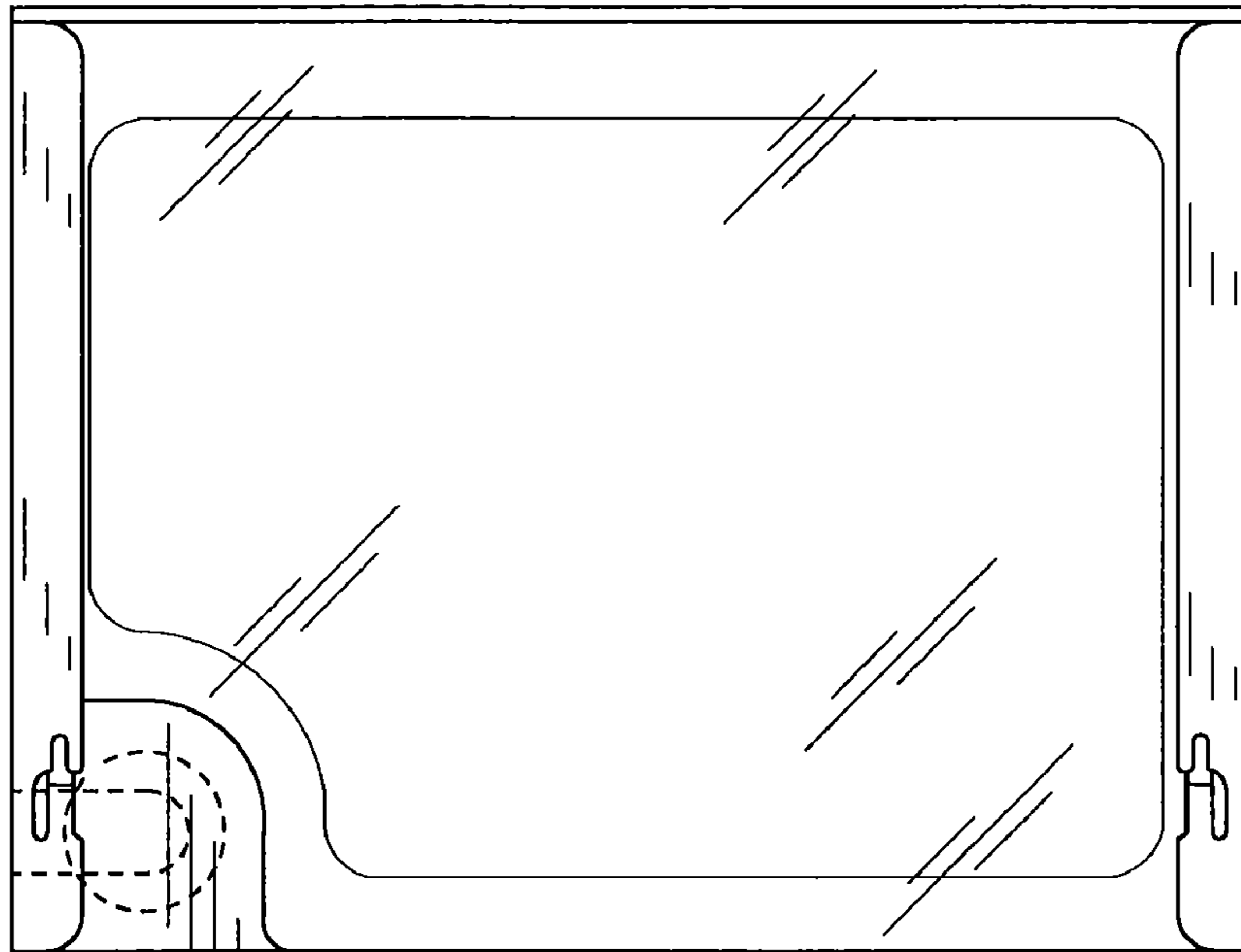
**Fig. 9**



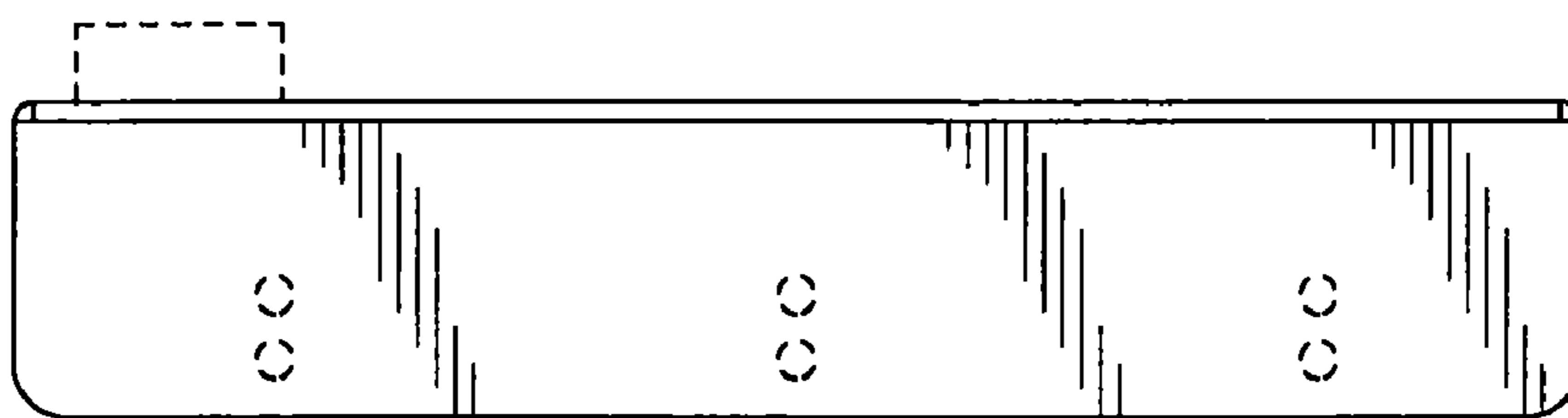
***Fig. 10***



***Fig. 11***



**Fig. 12**



**Fig. 13**