



US00D633315S

(12) **United States Design Patent**
Fabiano et al.

(10) **Patent No.:** **US D633,315 S**
(45) **Date of Patent:** **** Mar. 1, 2011**

(54) **RAIL FOR A SHELVING SYSTEM**
(75) Inventors: **Frank A. Fabiano**, Bronson, MI (US);
Robert E. Burnham, Novi, MI (US);
Phillip M. Ownbey, Cleveland, TN (US)

D473,664 S * 4/2003 Perkins et al. D25/138
6,698,603 B2 * 3/2004 Lawson et al. 211/94.01
D504,526 S * 4/2005 Perkins et al. D25/138
D512,254 S * 12/2005 Ottens D6/553
7,228,977 B2 * 6/2007 Perkins et al. 211/94.01
D604,978 S * 12/2009 Shaha et al. D6/553

(73) Assignee: **Morgan Olson Corporation**, Sturgis,
MI (US)

* cited by examiner

(**) Term: **14 Years**

Primary Examiner—Brian N Vinson

(21) Appl. No.: **29/376,942**

(74) *Attorney, Agent, or Firm*—Ballard Spahr LLP

(22) Filed: **Oct. 14, 2010**

(57) **CLAIM**

Related U.S. Application Data

The ornamental design for a rail for a shelving system, as shown and described.

(62) Division of application No. 29/345,294, filed on Oct. 13, 2009, now Pat. No. Des. 627,179.

DESCRIPTION

(51) **LOC (9) Cl.** **06-99**
(52) **U.S. Cl.** **D6/509**
(58) **Field of Classification Search** D6/553,
D6/567, 509; D25/123, 138, 164; 211/87.01,
211/94.01; 52/36.5, 588
See application file for complete search history.

FIG. 1 is a perspective view of a design for a rail for a shelving system;

FIG. 2 is an enlarged front end view of the rail of FIG. 1, the back end view being a mirror image thereof;

FIG. 3 is a right side view of the rail of FIG. 1, the left side view being a mirror image thereof;

FIG. 4 is an enlarged top view of the rail of FIG. 1; and,

FIG. 5 is an enlarged bottom view of the rail of FIG. 1.

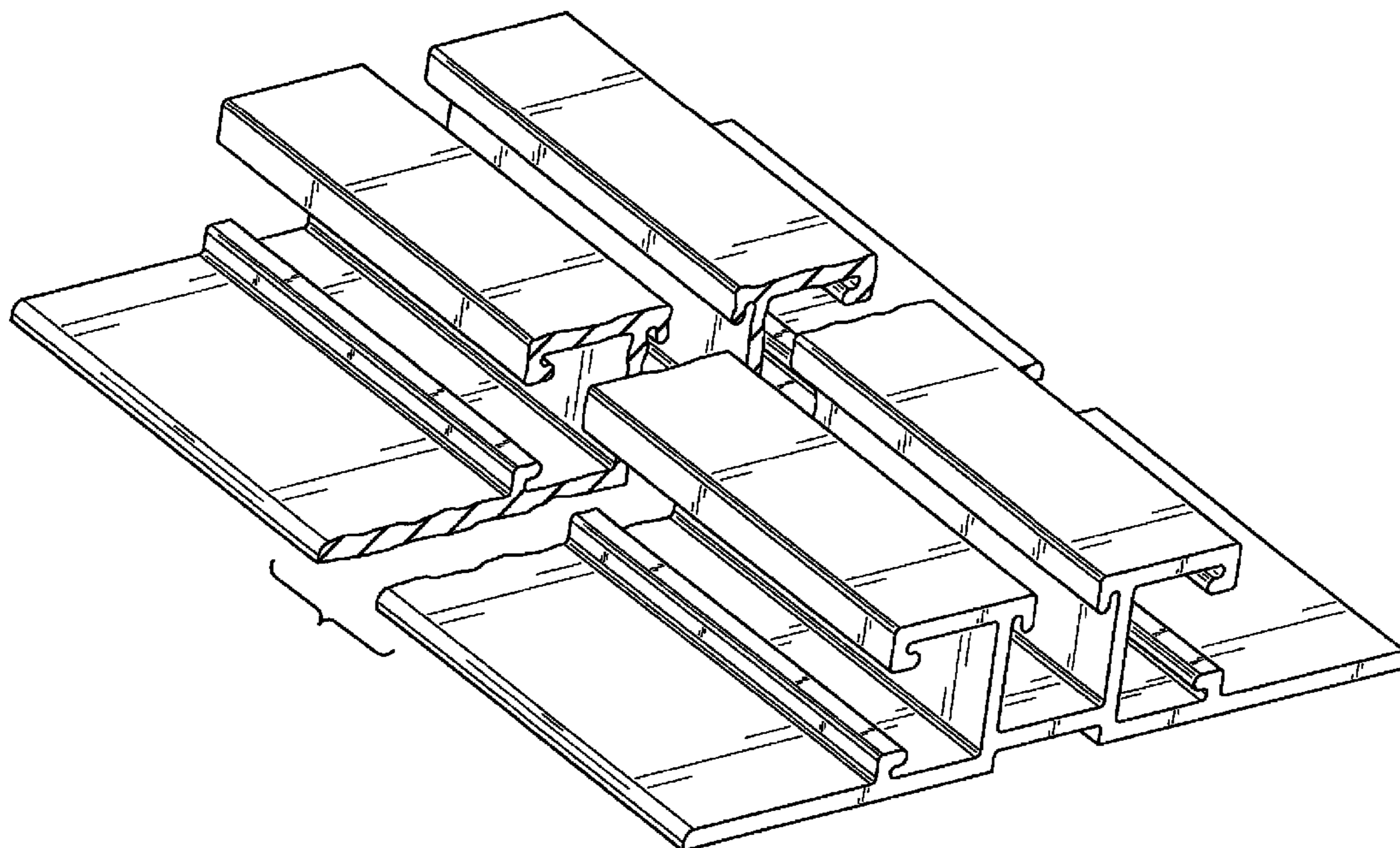
The rail is shown broken-away in the views to indicate unclaimed length.

(56) **References Cited**

U.S. PATENT DOCUMENTS

D353,295 S * 12/1994 Bodine D6/553
6,119,878 A * 9/2000 Zen 211/94.01

1 Claim, 5 Drawing Sheets



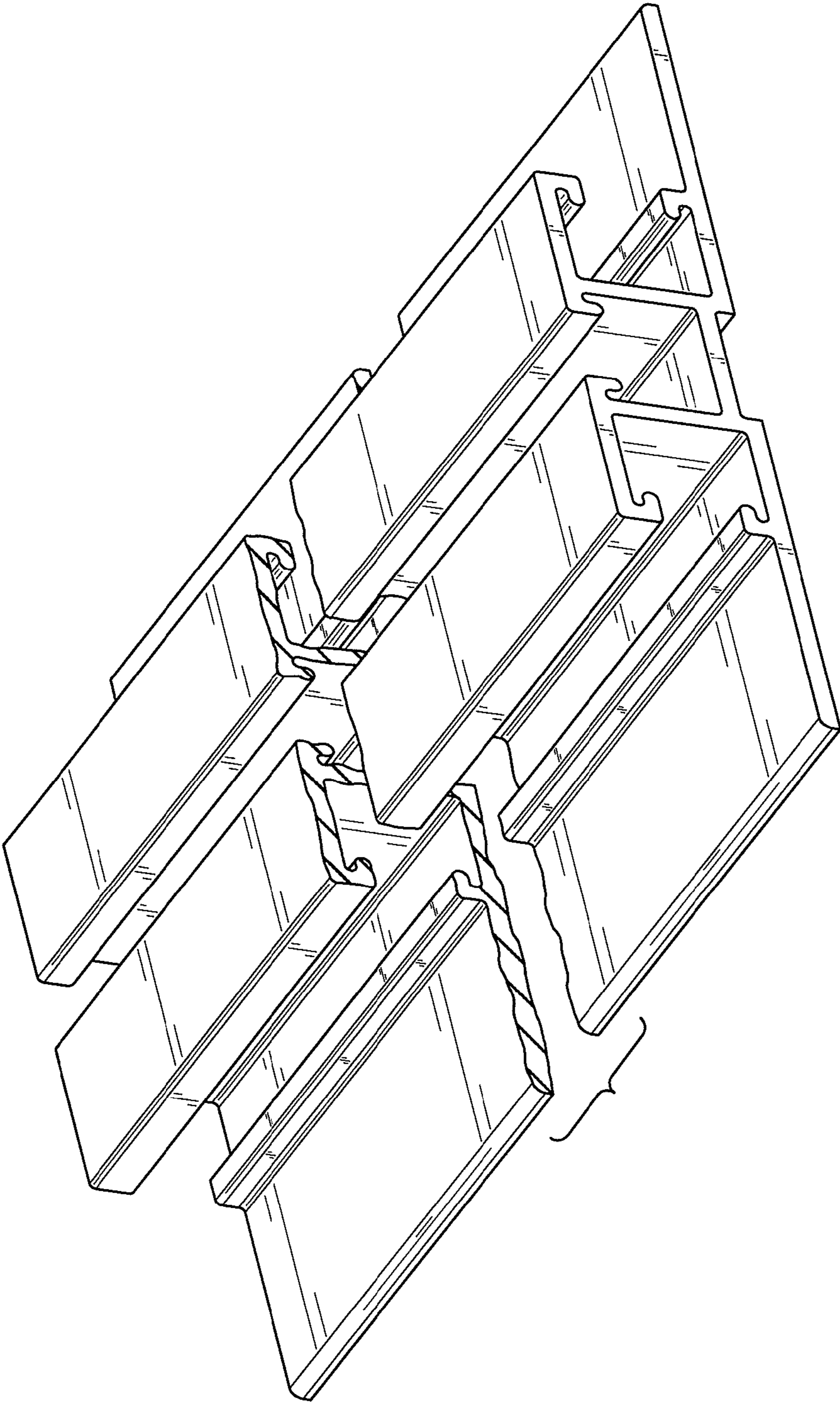


FIG. 1

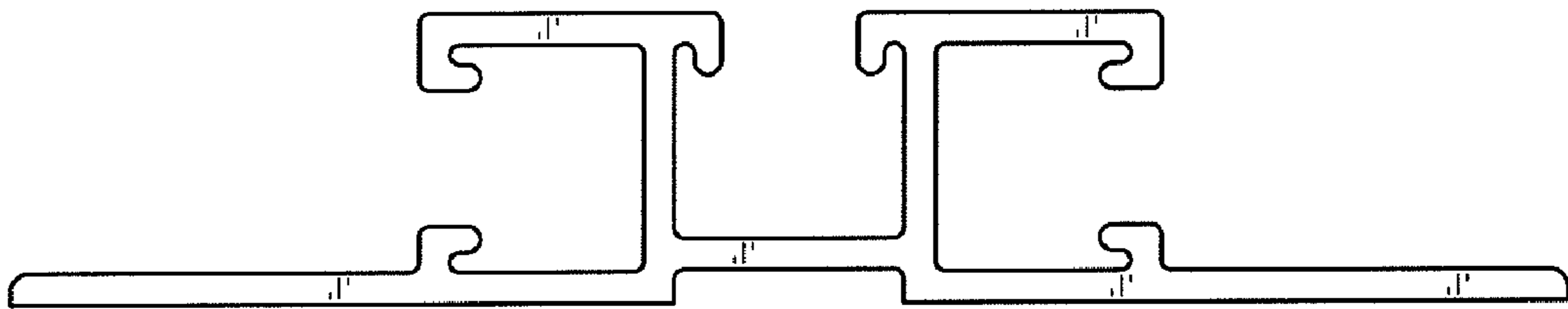


FIG. 2

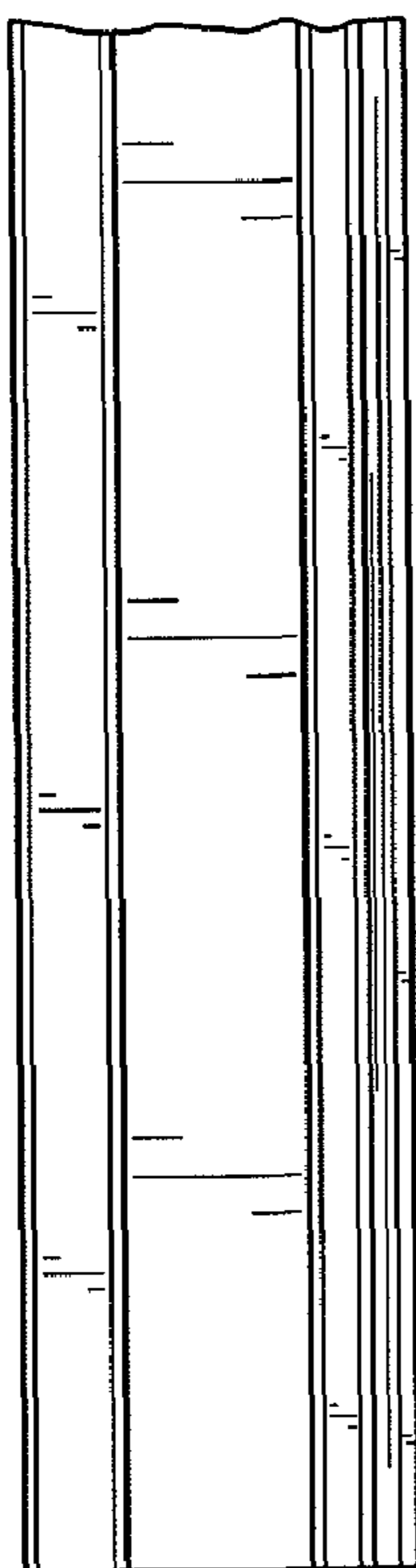
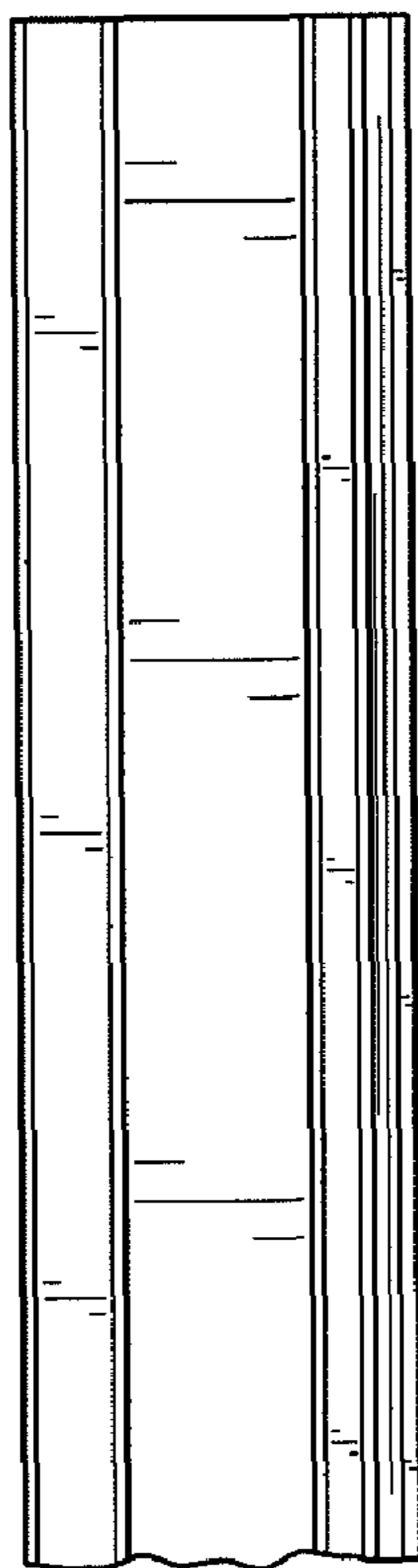


FIG. 3

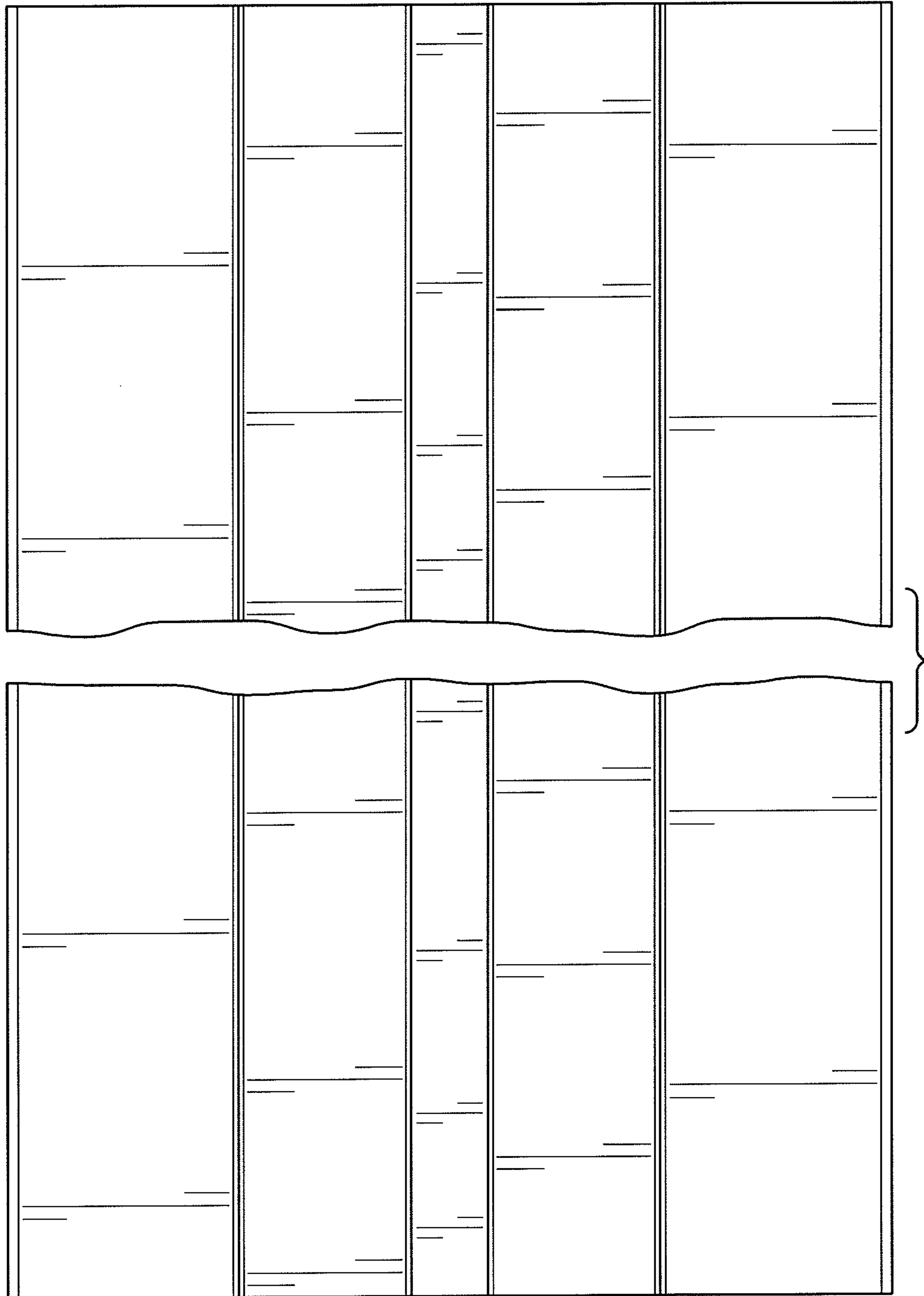


FIG. 4

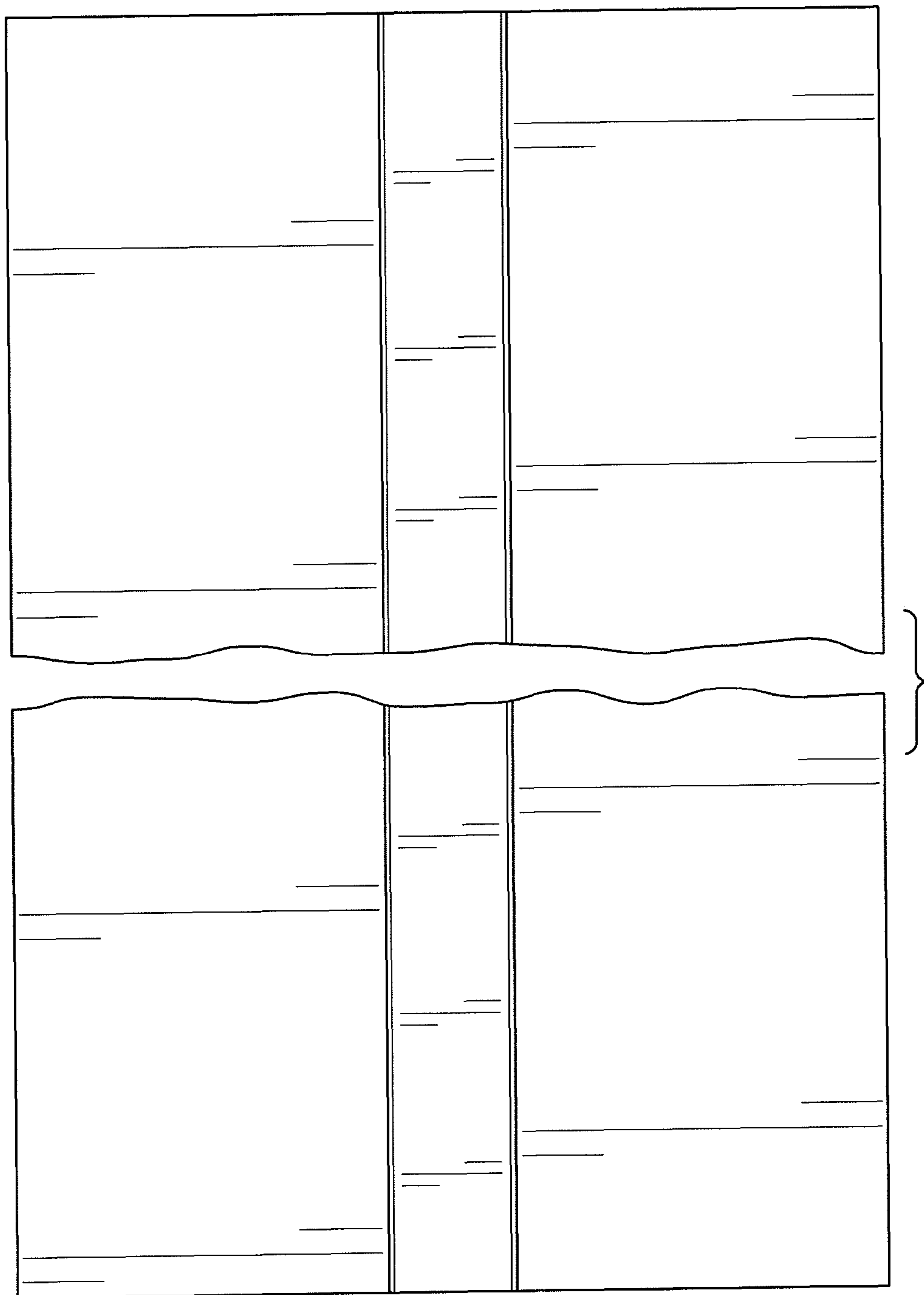


FIG. 5