



US00D633314S

(12) **United States Design Patent**  
**Maier-Hunke**

(10) **Patent No.:** **US D633,314 S**  
(45) **Date of Patent:** **\*\* Mar. 1, 2011**

(54) **BROCHURE STAND**

(75) Inventor: **Horst-Werner Maier-Hunke**, Iserlohn (DE)

(73) Assignee: **“Durable” Hunke & Jochheim GmbH & Co. KG**, Iserlohn (DE)

(\*\*) Term: **14 Years**

(21) Appl. No.: **29/289,409**

(22) Filed: **Jul. 18, 2007**

(30) **Foreign Application Priority Data**

Jan. 24, 2007 (EM) ..... 00657572

(51) **LOC (9) Cl.** ..... **06-04**

(52) **U.S. Cl.** ..... **D6/457**

(58) **Field of Classification Search** ..... D6/473-474,  
D6/466-469, 407, 629, 460-461, 449, 626-630,  
D6/455-458, 476; D19/90, 86, 75, 65, 78,  
D19/91, 100; D20/10, 19, 41; 248/44.1,  
248/346.03, 469; 206/425; 211/41.12, 13.1,  
211/55, 150, 42, 40, 45, 47, 56, 126.1, 133.1,  
211/50, 71.1

See application file for complete search history.

(56) **References Cited**

**U.S. PATENT DOCUMENTS**

- D61,168 S \* 7/1922 Lazerus ..... D6/457
- D239,346 S \* 3/1976 Scherzer et al. .... D6/451
- D324,790 S \* 3/1992 Krautsack ..... D6/455
- D324,966 S \* 3/1992 Buffington ..... D6/457
- D325,480 S \* 4/1992 Krautsack ..... D6/457
- D334,306 S \* 3/1993 Breen ..... D6/455

- D340,156 S \* 10/1993 Bonazza et al. .... D6/476
- D366,907 S \* 2/1996 Taylor ..... D19/90
- D488,937 S \* 4/2004 Gillet ..... D6/471
- D565,326 S \* 4/2008 Warme ..... D6/474

\* cited by examiner

*Primary Examiner*—Caron Veynar

*Assistant Examiner*—Abraham Bahta

(74) *Attorney, Agent, or Firm*—Mark P. Stone

(57) **CLAIM**

The ornamental design for a “brochure stand”, as shown and described.

**DESCRIPTION**

FIG. 1 is a front elevational view of a BROCHURE STAND showing my new design;

FIG. 2 is a rear elevational view of the design illustrated by FIG. 1;

FIG. 3 is a top plan view of the design illustrated by FIGS. 1 and 2;

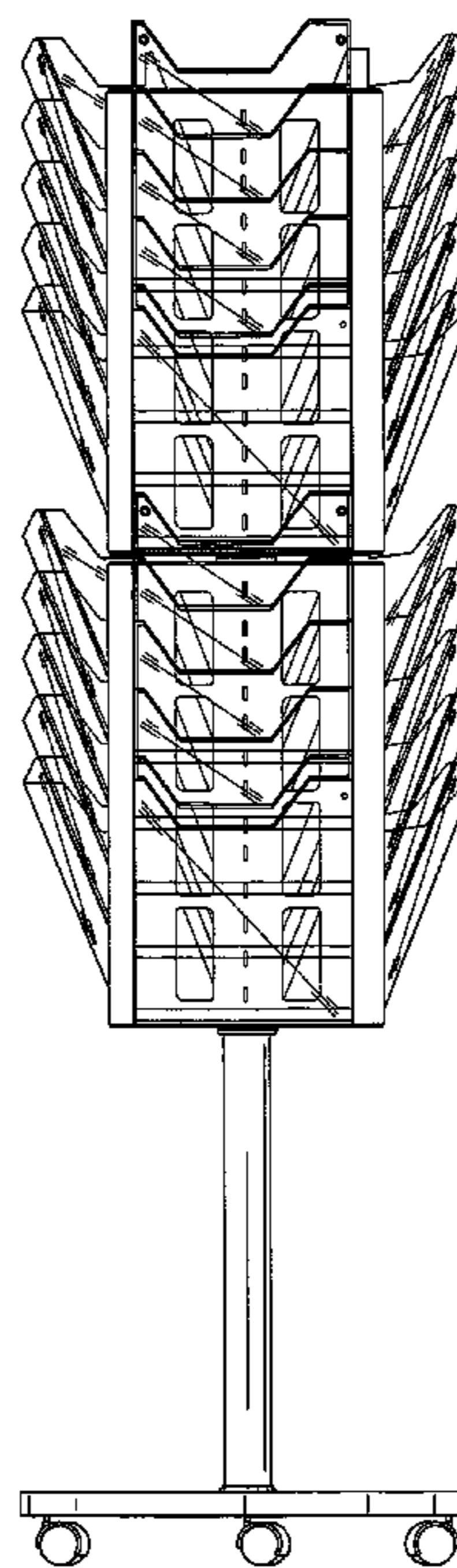
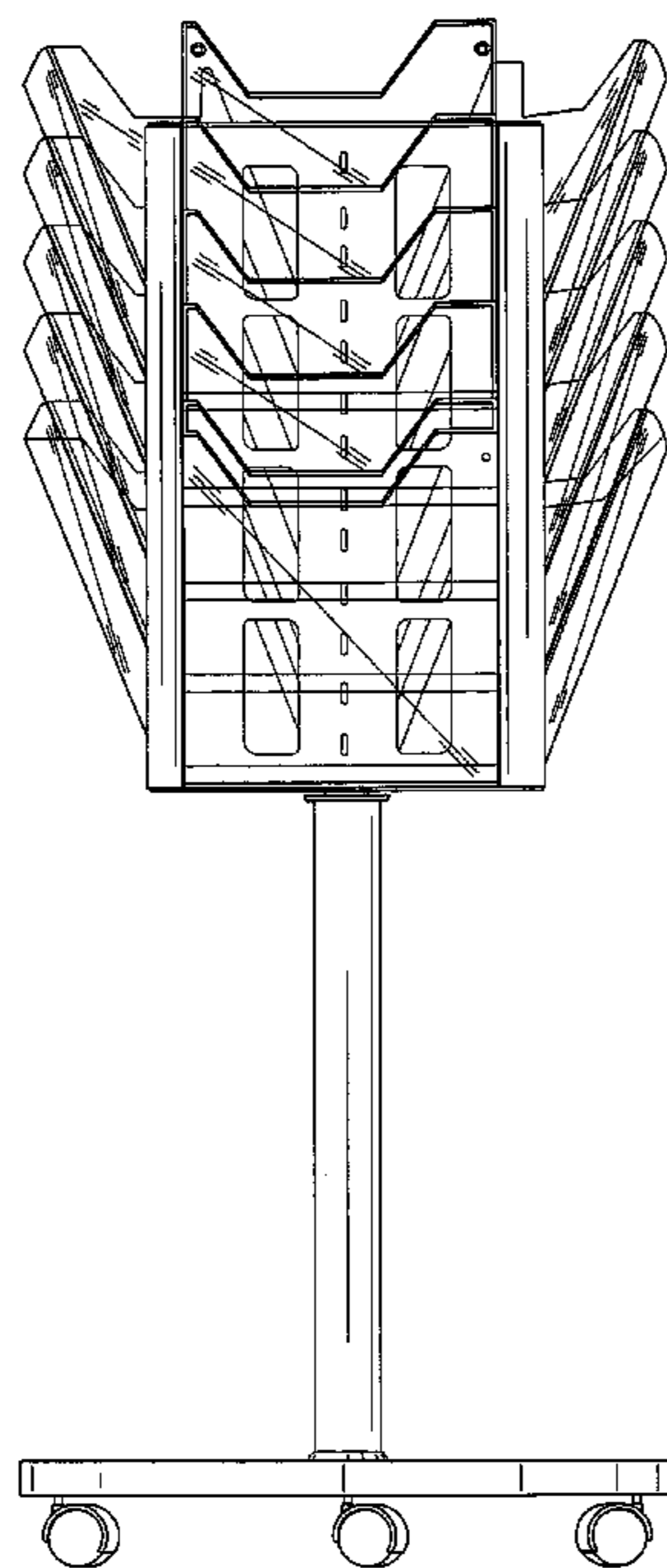
FIG. 4 is a perspective view of the design illustrated by FIGS. 1 and 2;

FIG. 5 is a front elevational view of a BROCHURE STAND having two central supporting elements in stacked relationship, including a plurality of trays extending therefrom, mounted to a supporting stand;

FIG. 6 is a rear elevational view of the design illustrated by FIG. 3; and,

FIG. 7 illustrates the design of FIGS. 3-4 in which the two central supporting elements are rotated out of alignment relative to each other.

**1 Claim, 7 Drawing Sheets**



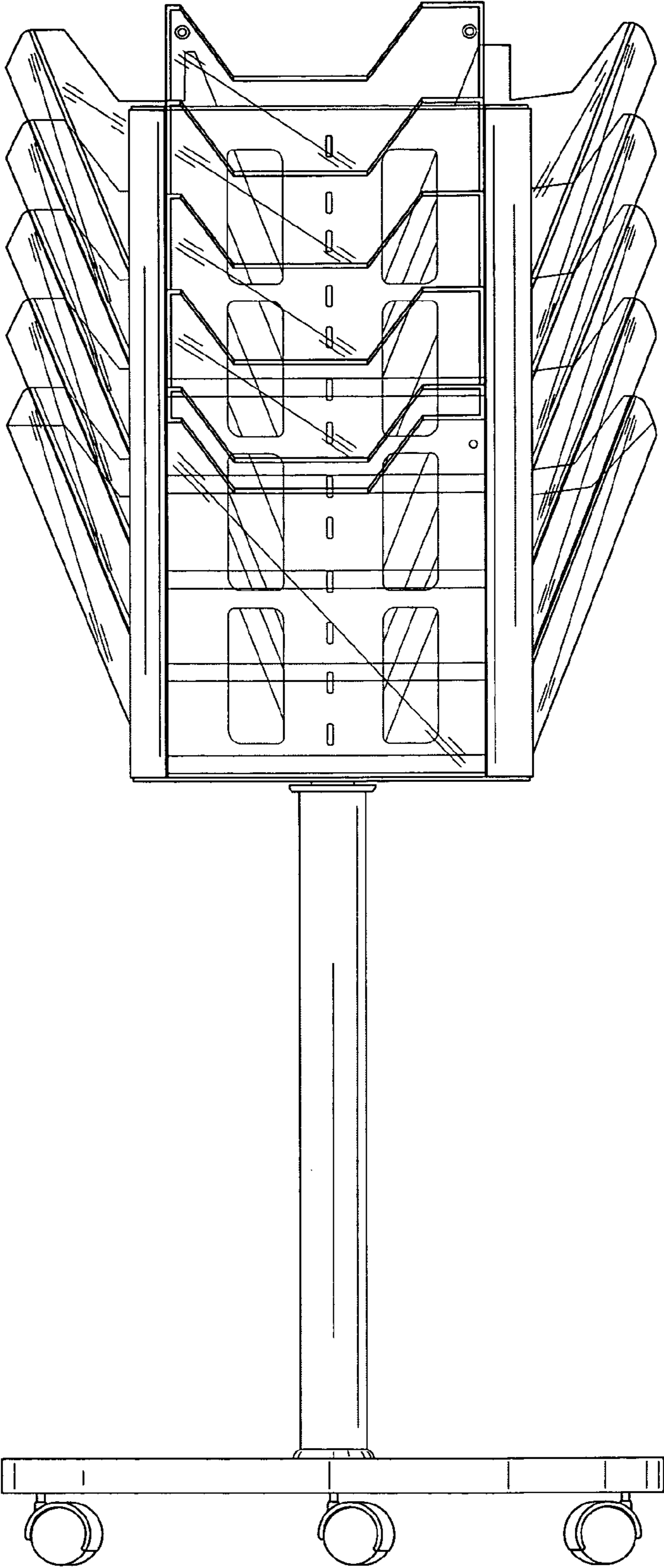
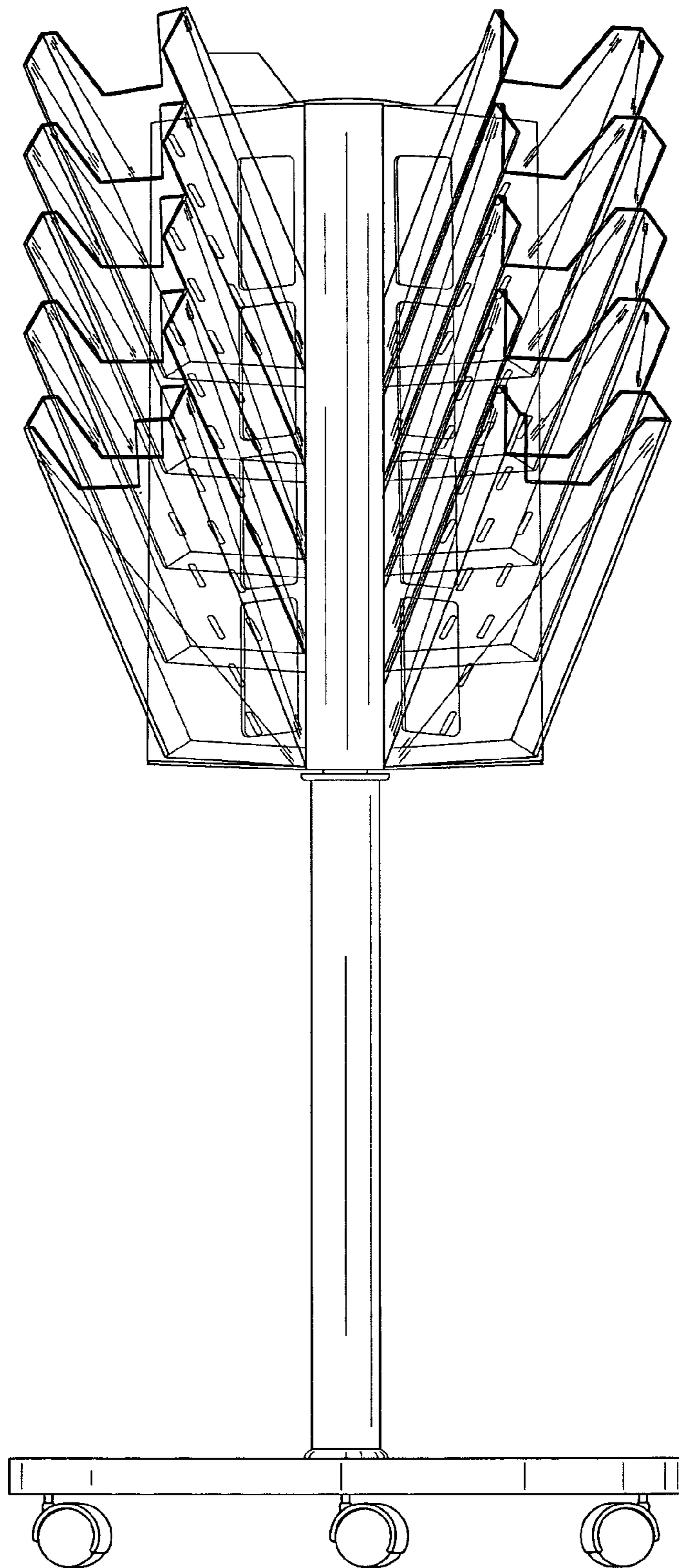


FIG. 1



**FIG. 2**

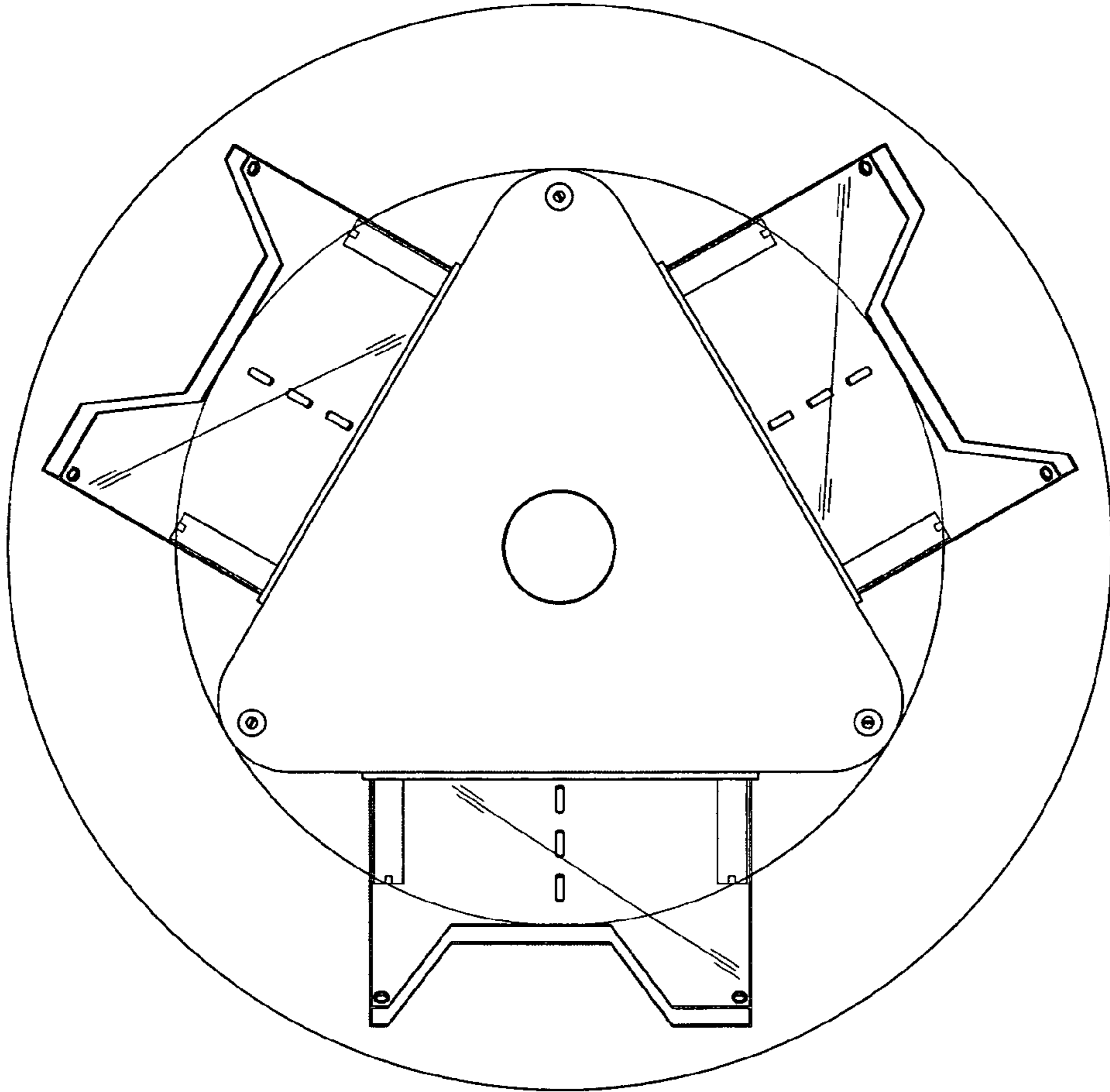
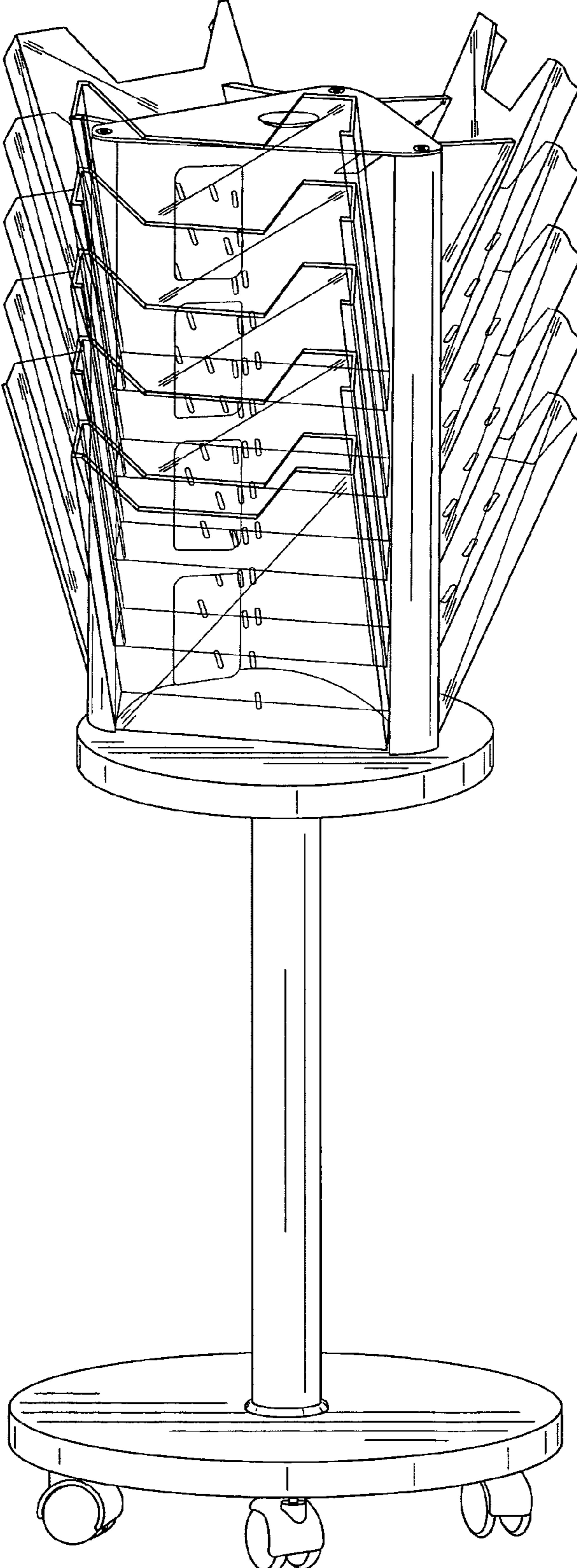


FIG. 3



**FIG. 4**

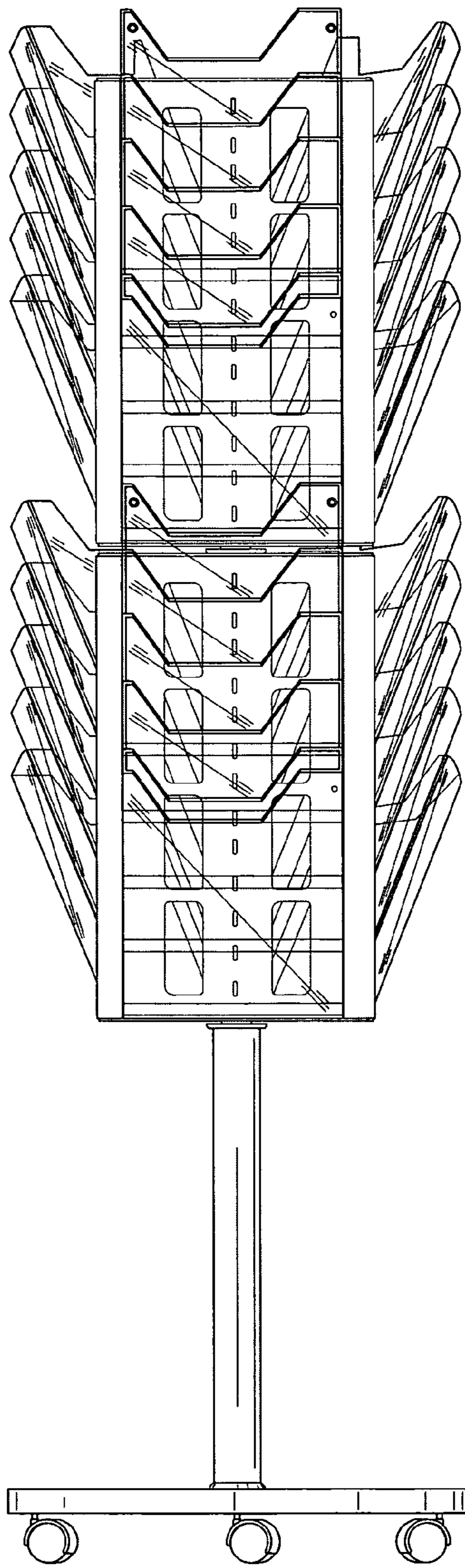
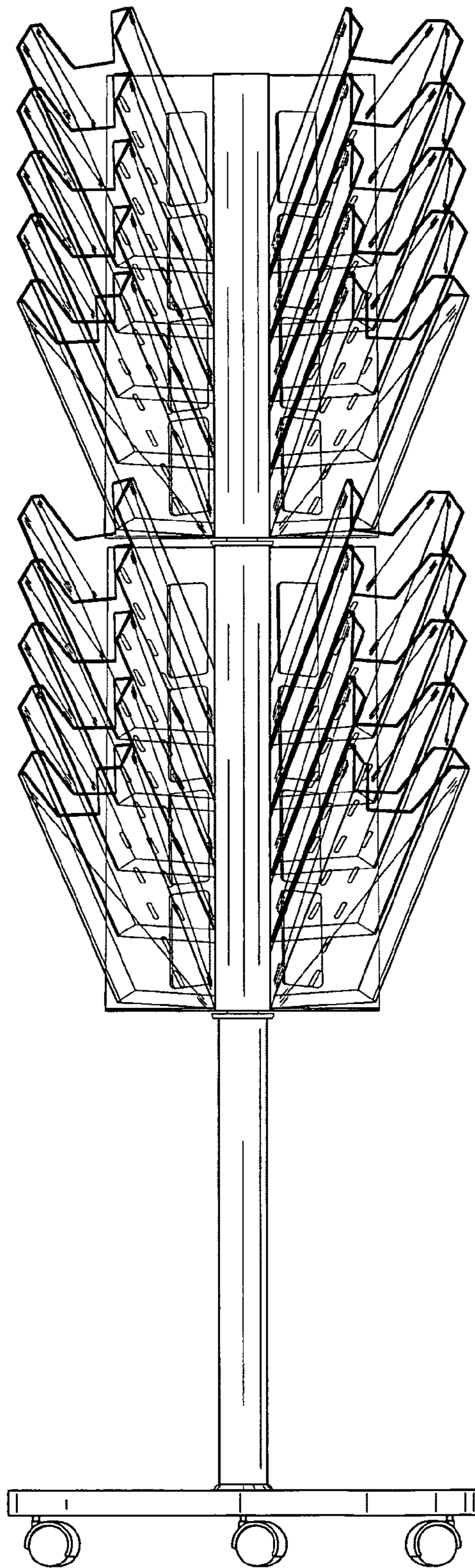
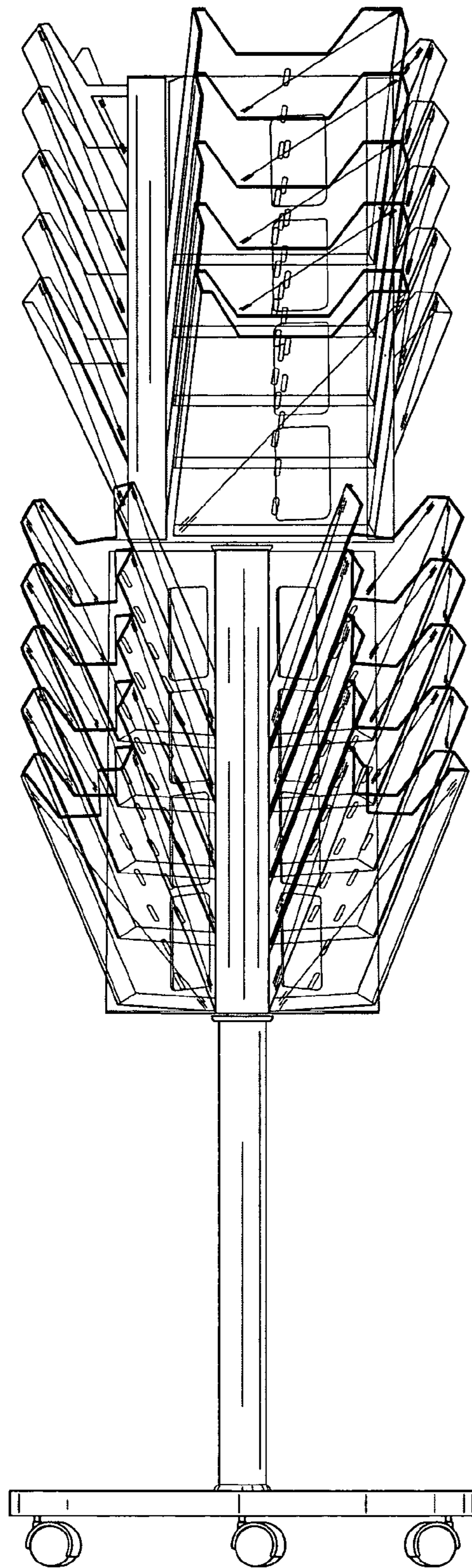


FIG. 5



**FIG. 6**



**FIG. 7**