



US00D633311S

(12) **United States Design Patent**  
**Peguro**

(10) **Patent No.:** **US D633,311 S**  
(45) **Date of Patent:** **\*\* Mar. 1, 2011**

(54) **BEACH CHAIR WITH LOCK BOX IN ARM REST**

2002/0125744 A1\* 9/2002 Tseng ..... 297/16.1  
\* cited by examiner

(76) Inventor: **Ahixa Peguro**, Pembroke Pines, FL (US)

*Primary Examiner*—Elizabeth A Albert  
*Assistant Examiner*—Kelley A Donnelly  
(74) *Attorney, Agent, or Firm*—Feldman Gale, P.A.; Walter C. Frank

(\*\*) Term: **14 Years**

(21) Appl. No.: **29/341,065**

(57) **CLAIM**

The ornamental design for a “beach chair with lock box in arm rest,” as shown and described.

(22) Filed: **Jul. 30, 2009**

**DESCRIPTION**

(51) **LOC (9) Cl.** ..... **06-01**

FIG. 1 is a perspective view of the design with the lock box in the open position.

(52) **U.S. Cl.** ..... **D6/368**

FIG. 2 is a bottom view of the design with the lock box in the closed position.

(58) **Field of Classification Search** ..... D6/334–336,  
D6/361, 367–368, 374–375, 379–380, 500–502;  
297/16.1, 35, 39, 40, 59, 129, 118, 188.01,  
297/411.2, 391

FIG. 3 is a front view of the design with the lock box in the open position.

See application file for complete search history.

FIG. 4 is a side view of the design with the lock box in the closed position.

(56) **References Cited**

**U.S. PATENT DOCUMENTS**

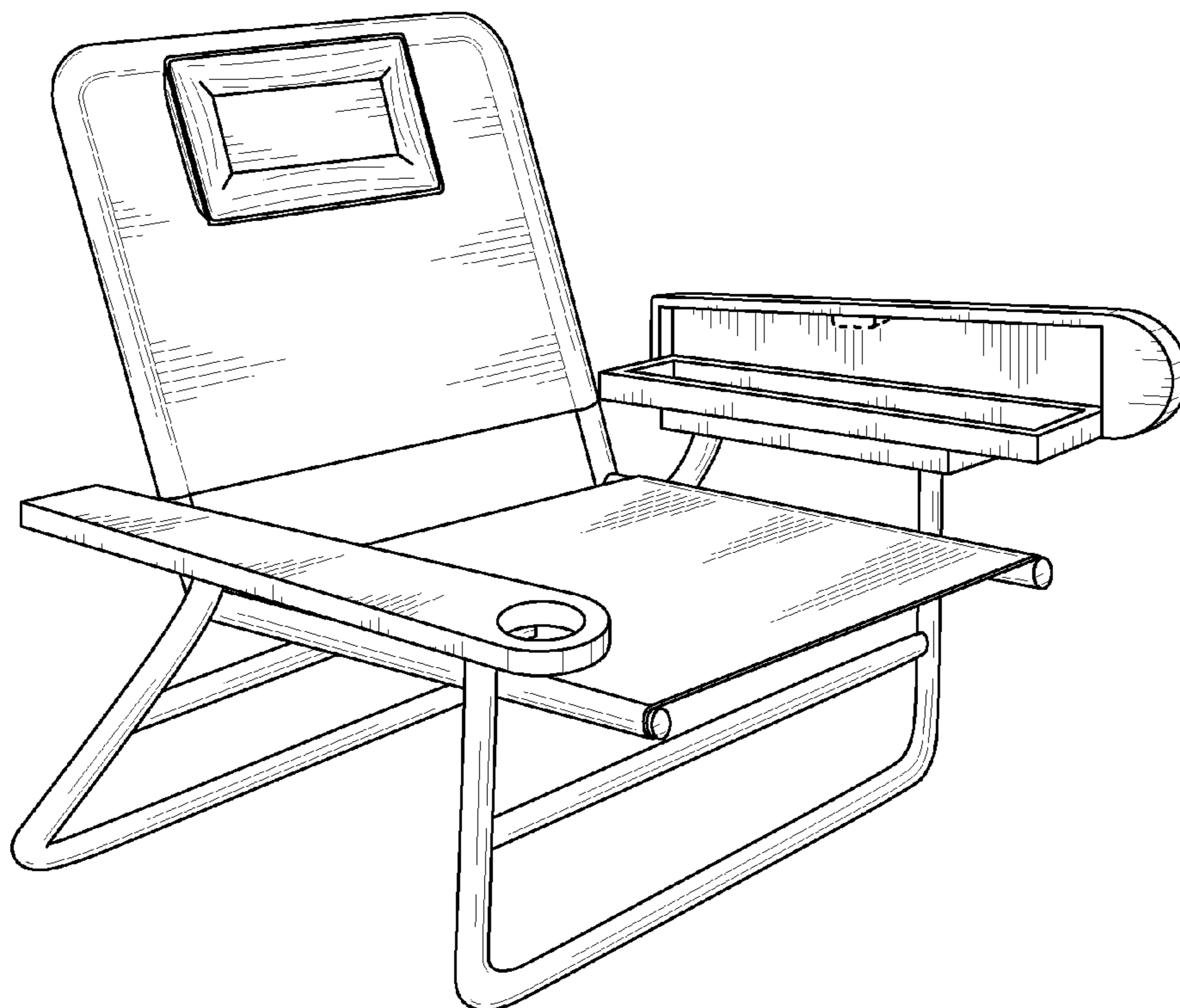
D338,782 S *	8/1993	Gibson et al. ....	D6/368
D340,142 S *	10/1993	Totoro .....	D6/367
D349,194 S *	8/1994	Hollis .....	D6/368
D378,476 S *	3/1997	Spaeth .....	D6/367
6,623,072 B1 *	9/2003	Mellace .....	297/217.4
D522,263 S *	6/2006	Hart .....	D6/368
7,086,694 B1 *	8/2006	Huang .....	297/39
D571,113 S *	6/2008	Cohen .....	D6/368
D571,115 S *	6/2008	Cohen .....	D6/368

FIG. 5 is a top view of the design with the lock box in the open position; and,

FIG. 6 is a back view of the design with the lock box in the open position.

The broken lines are for the purpose of illustrating the environment of the design only and form no part of the claimed design.

**1 Claim, 6 Drawing Sheets**



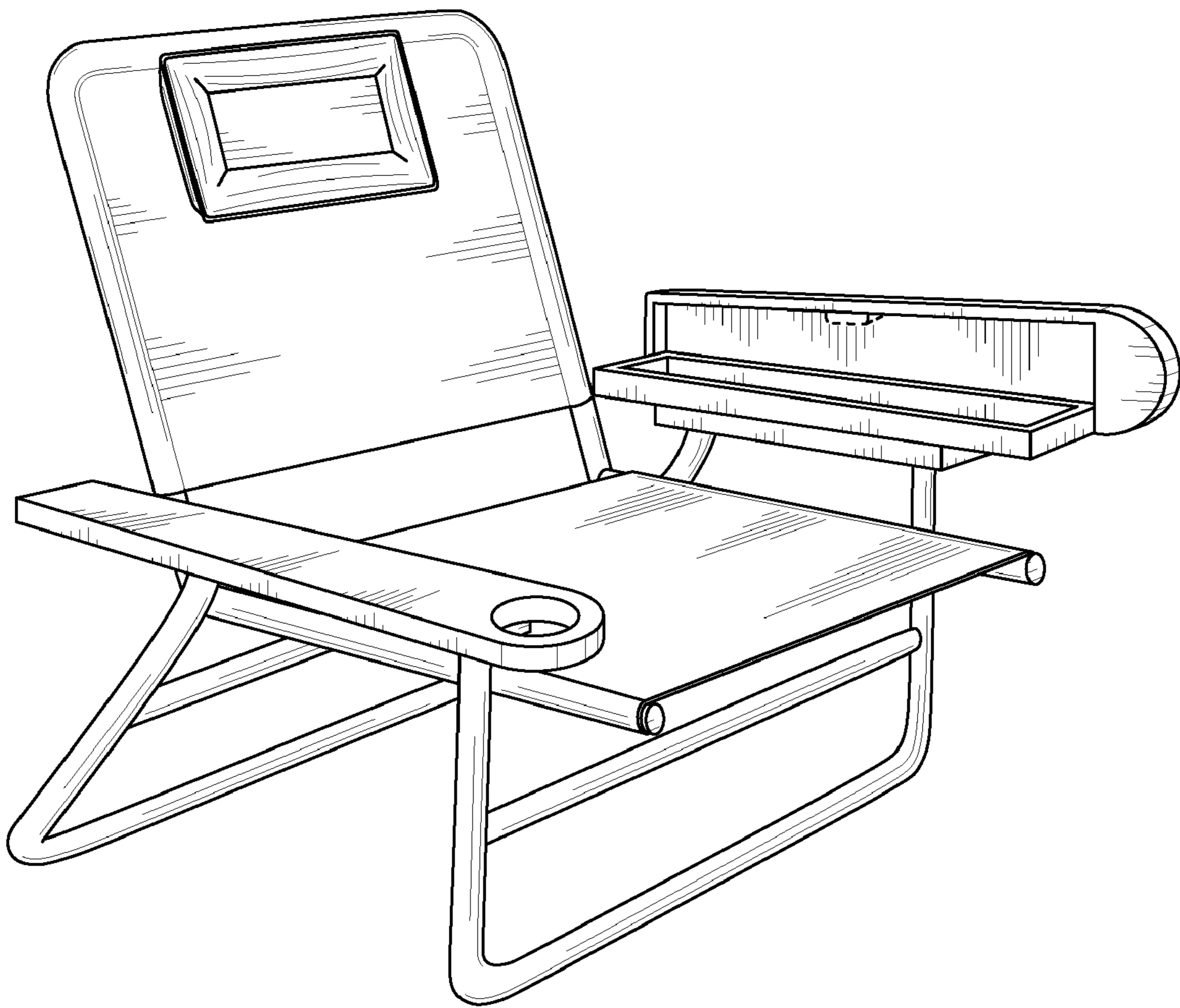


FIG. 1

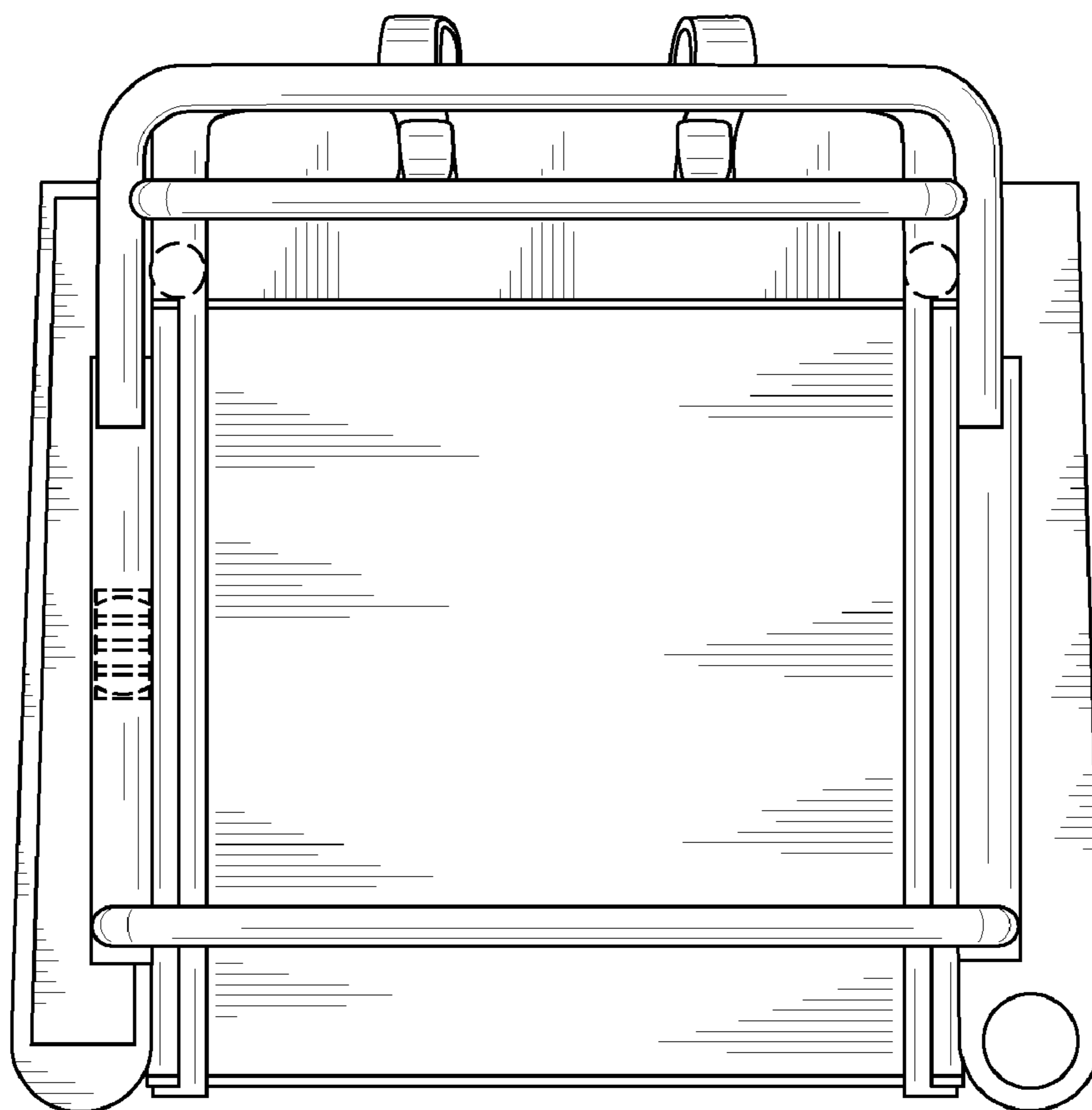


FIG. 2

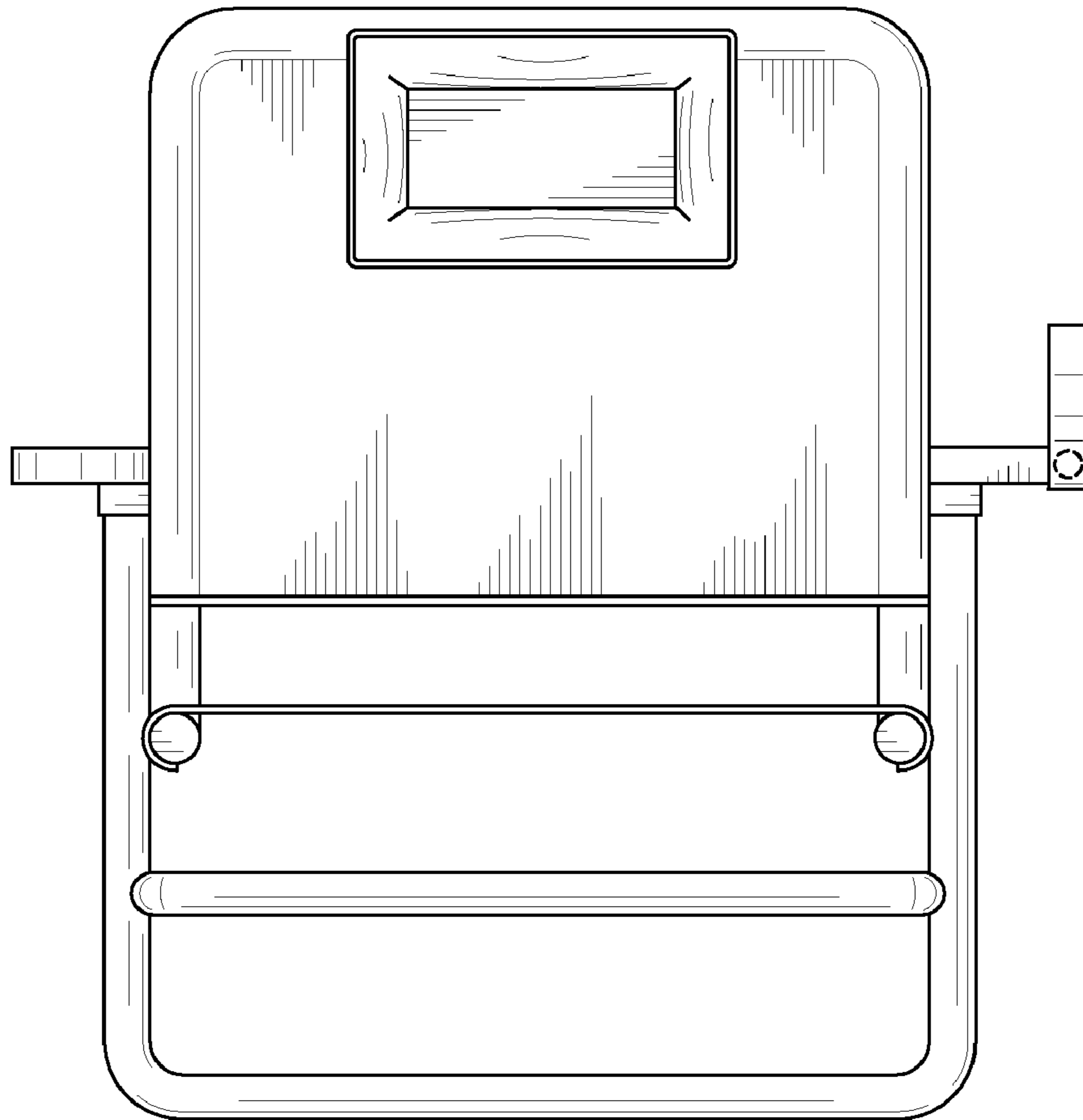


FIG. 3

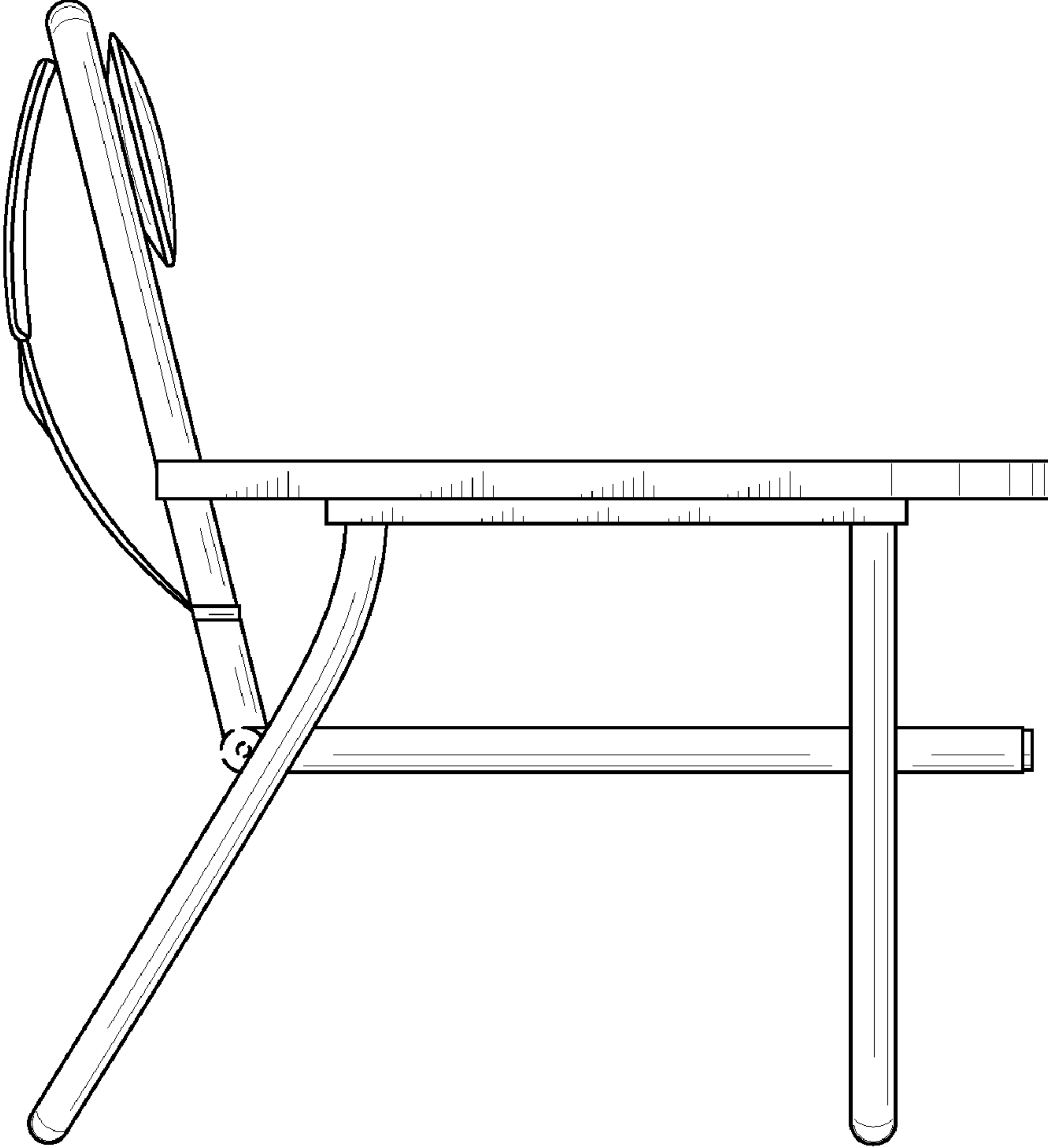


FIG. 4

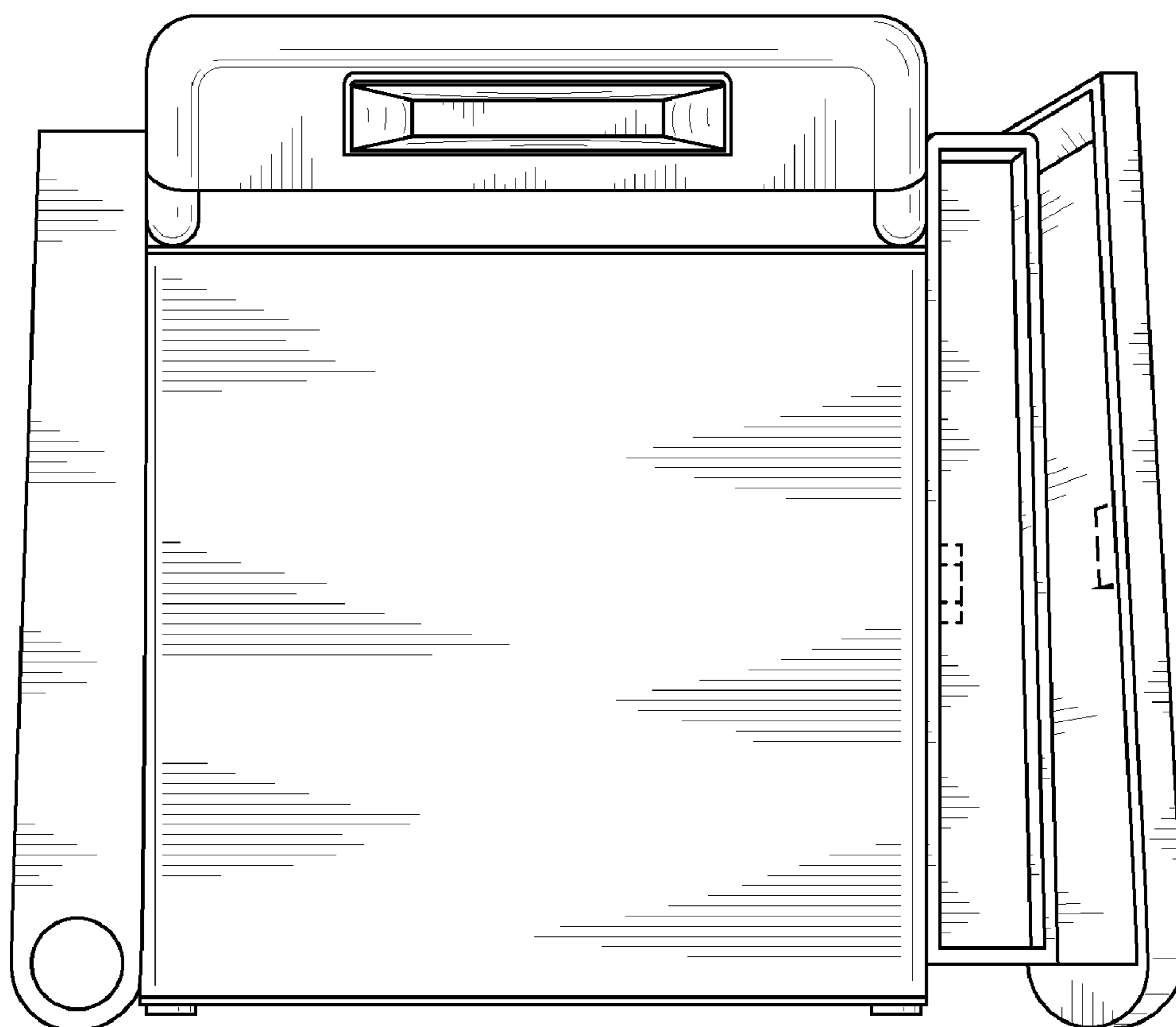


FIG. 5

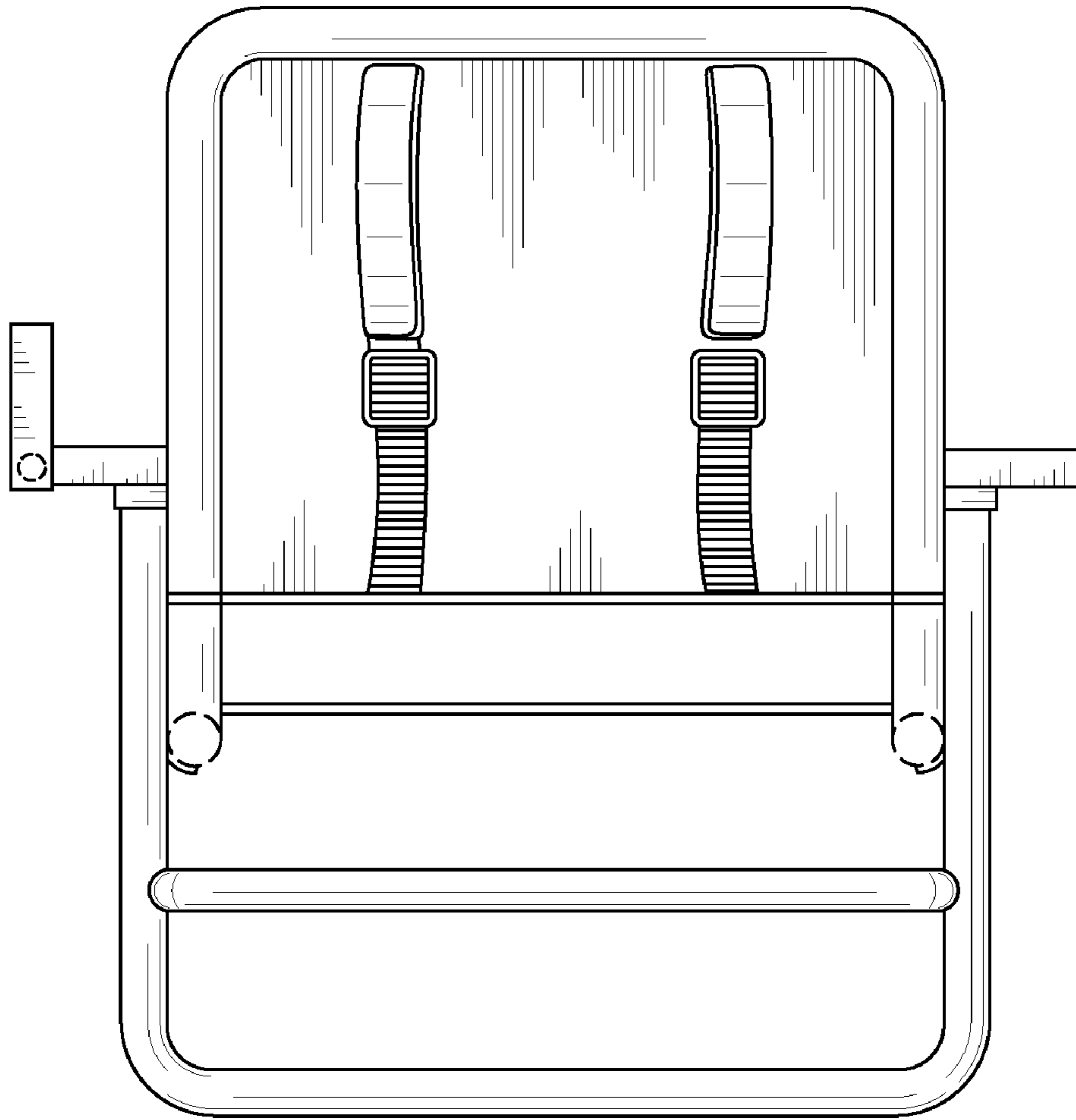


FIG. 6