



US00D633310S

(12) **United States Design Patent**  
**Song et al.**

(10) **Patent No.:** **US D633,310 S**  
(45) **Date of Patent:** **\*\* Mar. 1, 2011**

(54) **BLANKET HANGER**

(75) Inventors: **Seung Hyun Song**, Seoul (KR); **Ki Hyuk Kim**, Incheon (KR); **Eun Young Jee**, Seoul (KR); **Min Jung You**, Seoul (KR)

(73) Assignee: **LG Electronics Inc.**, Seoul (KR)

(\*\*) Term: **14 Years**

(21) Appl. No.: **29/359,197**

(22) Filed: **Apr. 7, 2010**

(30) **Foreign Application Priority Data**

Dec. 11, 2009 (KR) ..... 30-2009-0054645

(51) **LOC (9) Cl.** ..... **06-06**

(52) **U.S. Cl.** ..... **D6/315; D6/513**

(58) **Field of Classification Search** ..... D6/315-319, D6/326-327; 211/113, 119; 223/85, 87-96  
See application file for complete search history.

(56) **References Cited**

**U.S. PATENT DOCUMENTS**

2,480,327 A \* 8/1949 Idelsohn ..... 211/113  
D279,236 S \* 6/1985 Kupchik ..... D6/317  
5,076,446 A \* 12/1991 Simmerman et al. .... 211/113

D357,814 S \* 5/1995 Vernia ..... D6/326  
D381,815 S \* 8/1997 Louw ..... D6/327  
D431,376 S \* 10/2000 Abdi ..... D6/317  
6,273,280 B1 \* 8/2001 Markarian ..... 211/113  
D545,069 S \* 6/2007 Roberson ..... D6/315

\* cited by examiner

*Primary Examiner*—Brian N Vinson

(74) *Attorney, Agent, or Firm*—Birch, Stewart, Kolasch & Birch, LLP

(57) **CLAIM**

We claim the ornamental design for a blanket hanger, as shown and described.

**DESCRIPTION**

FIG. 1 is a perspective view of a blanket hanger showing our new design:

FIG. 2 is a front elevation view thereof;

FIG. 3 is a rear elevation view thereof;

FIG. 4 is a left-side elevation view thereof;

FIG. 5 is a right-side elevation view thereof;

FIG. 6 is a top plan view thereof; and,

FIG. 7 is a bottom plan view thereof.

**1 Claim, 4 Drawing Sheets**

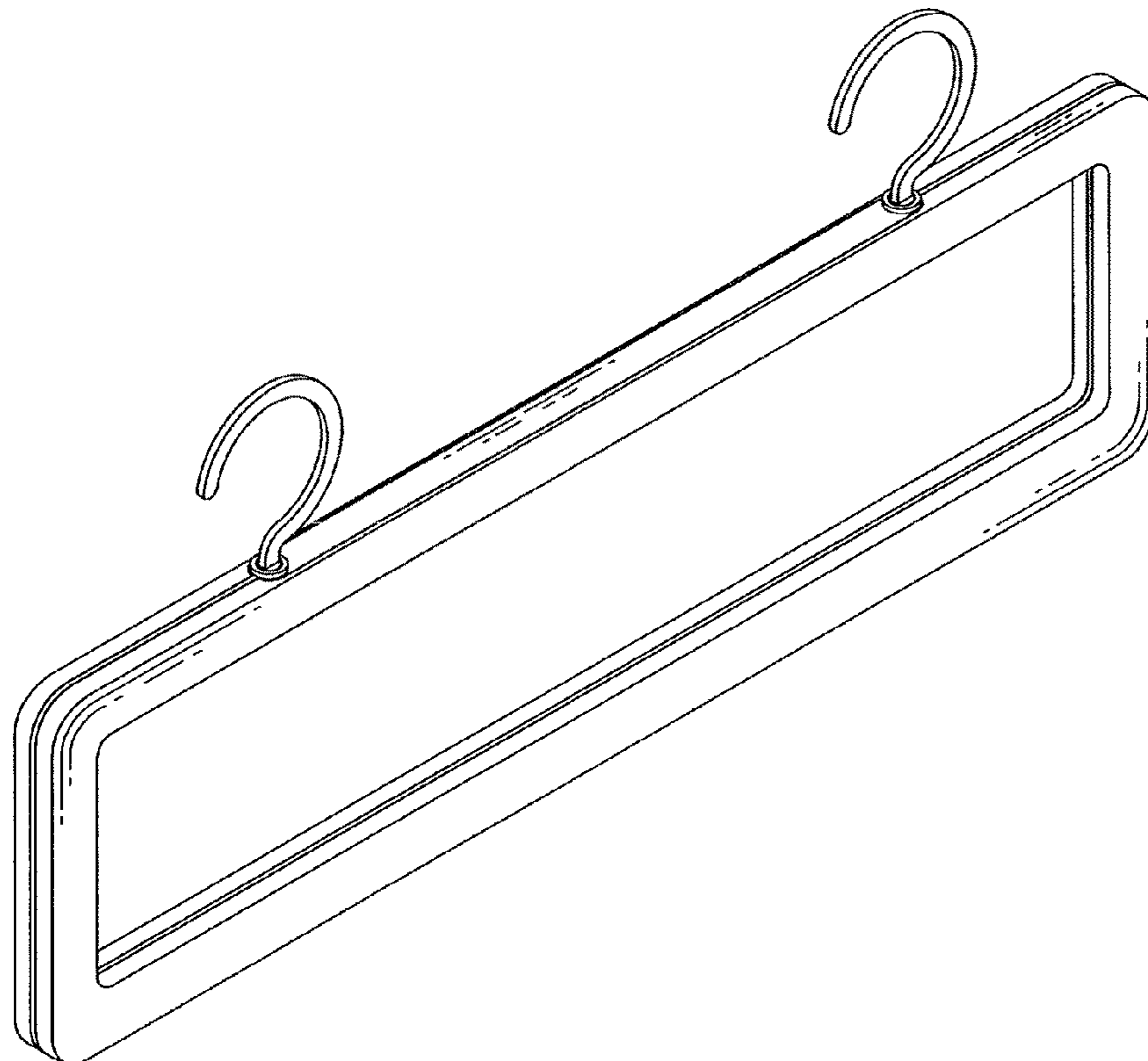


FIG. 1

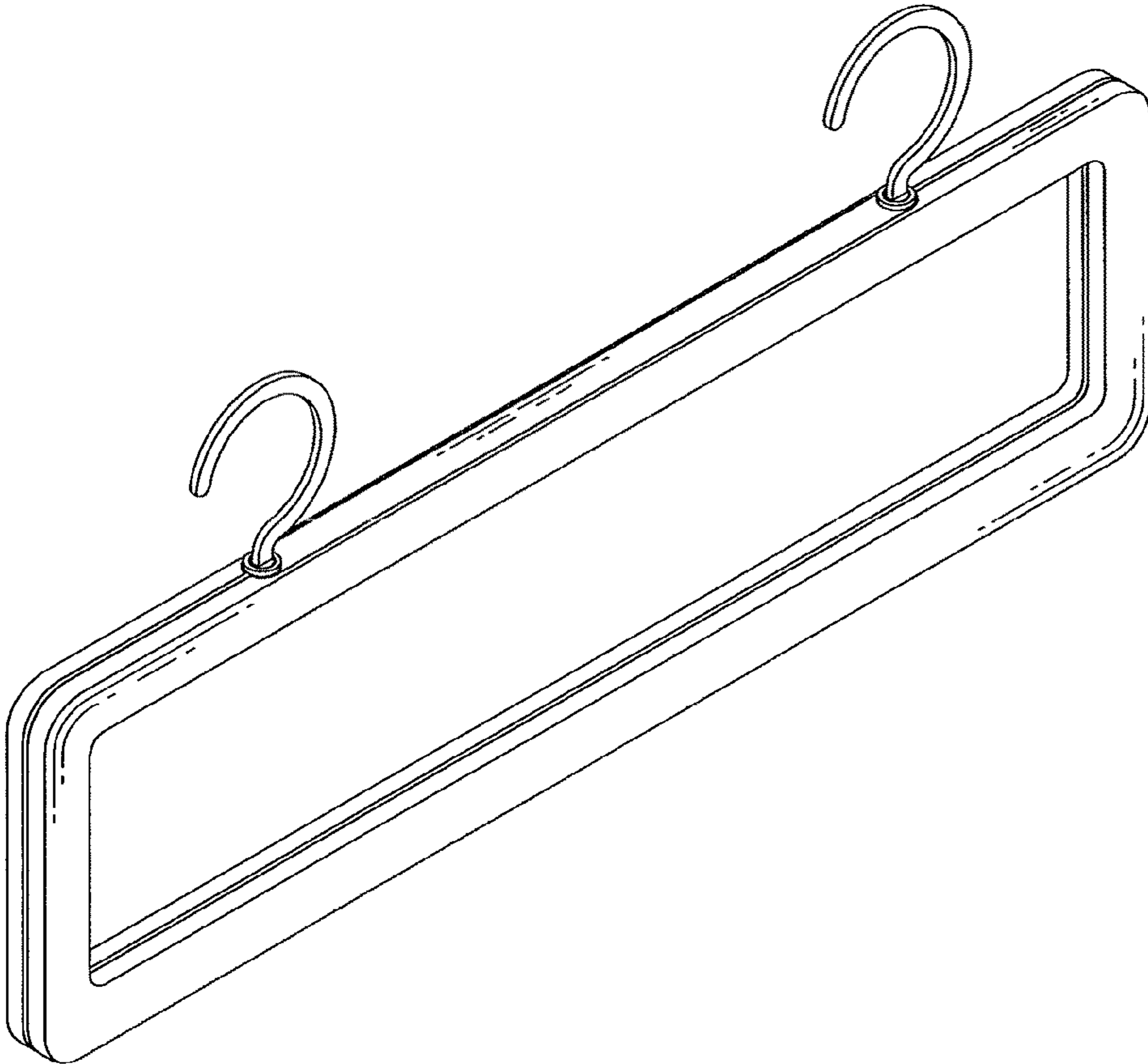


FIG.2

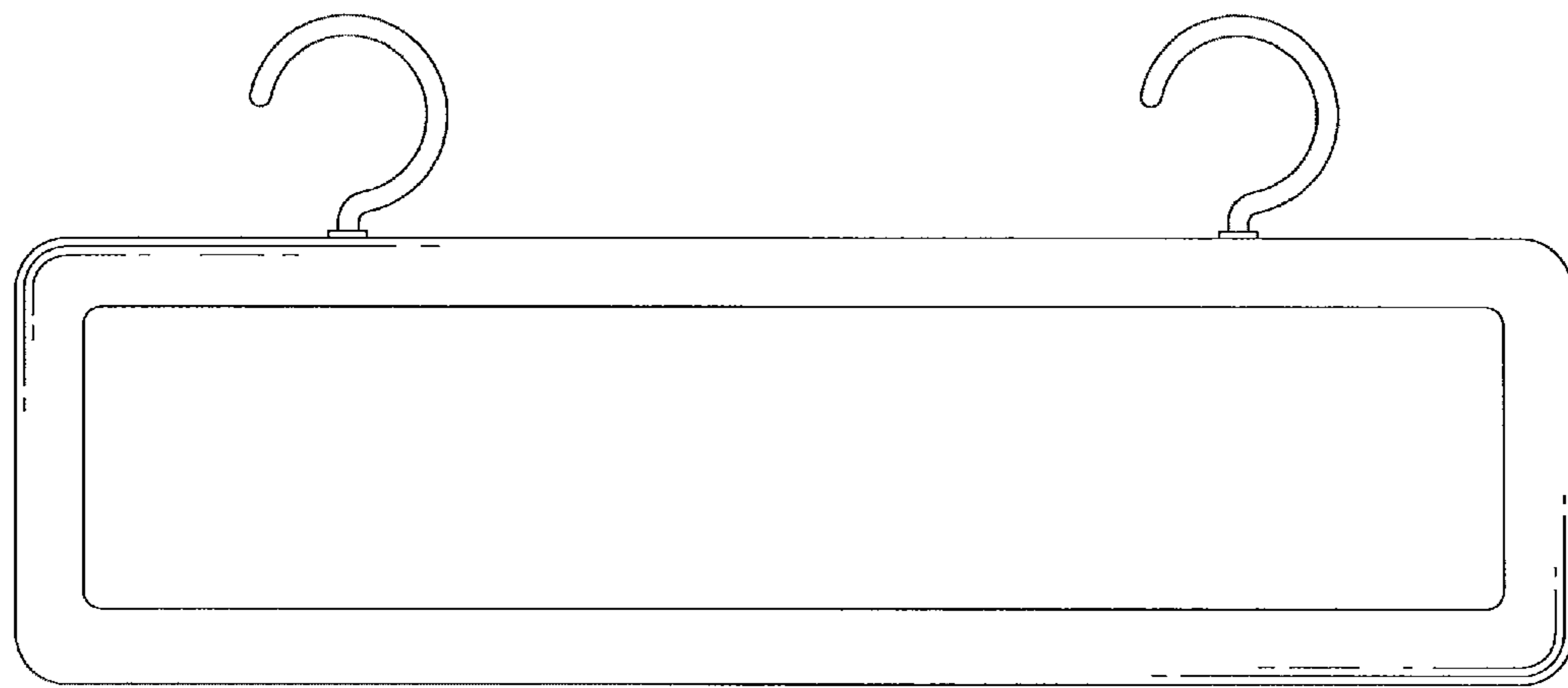


FIG.3

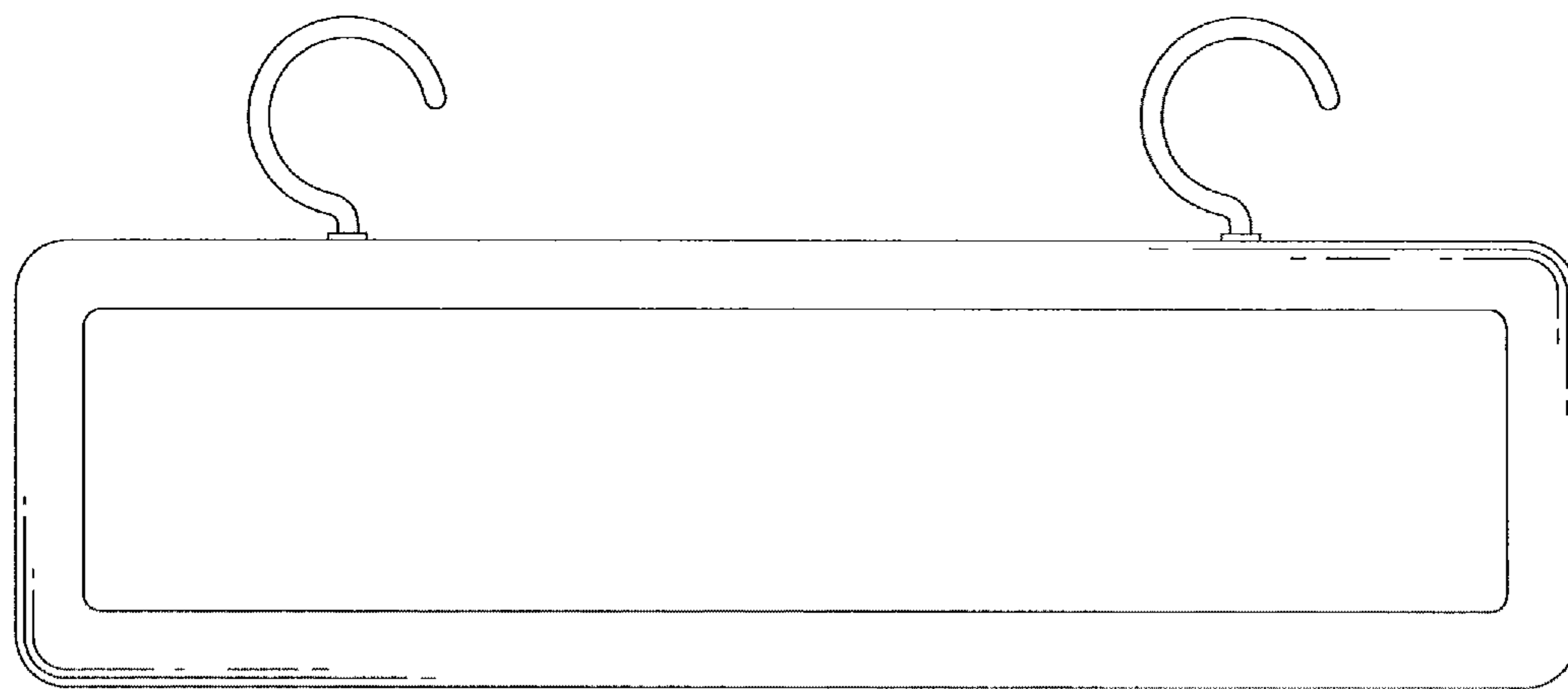


FIG. 4



FIG. 5

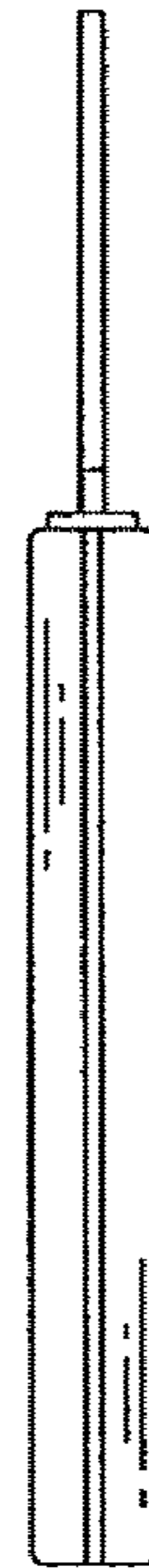


FIG.6

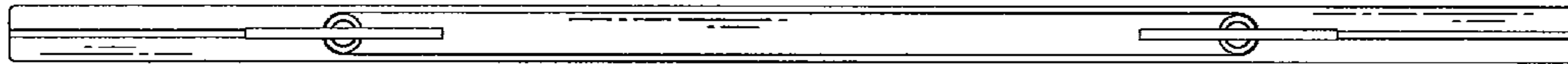


FIG.7

