



US00D633308S

(12) **United States Design Patent**
Burwell

(10) **Patent No.:** **US D633,308 S**

(45) **Date of Patent:** **** Mar. 1, 2011**

(54) **MECHANICAL PICTURE FRAME**

(76) Inventor: **William Joseph Burwell**, La Jolla, CA
(US)

(**) Term: **14 Years**

(21) Appl. No.: **29/360,357**

(22) Filed: **Apr. 23, 2010**

(51) **LOC (9) Cl.** **06-07**

(52) **U.S. Cl.** **D6/300**

(58) **Field of Classification Search** D6/300-314,
D6/444; 40/700, 735, 738, 744, 798, 732,
40/124; D28/64.1; D11/52; D20/42

See application file for complete search history.

(56) **References Cited**

U.S. PATENT DOCUMENTS

D220,341 S * 3/1971 Cash D6/303
D362,122 S * 9/1995 Kong D6/300
D370,353 S * 6/1996 Valls et al. D6/300

D403,166 S * 12/1998 Parker D6/307
D500,089 S * 12/2004 Gillard D20/42
D552,360 S * 10/2007 Mischel, Jr. D6/300
D599,120 S * 9/2009 Mischel, Jr. D6/300

* cited by examiner

Primary Examiner—Philip S Hyder

Assistant Examiner—Sydney R Buffalow

(74) *Attorney, Agent, or Firm*—Nydegger & Associates

(57) **CLAIM**

The ornamental design for a mechanical picture frame, as shown.

DESCRIPTION

FIG. 1 is a perspective view of a mechanical picture frame in accordance with the present invention;

FIG. 2 is a front elevation view thereof;

FIG. 3 is a top/bottom view thereof; and,

FIG. 4 is a left/right side view thereof.

1 Claim, 2 Drawing Sheets

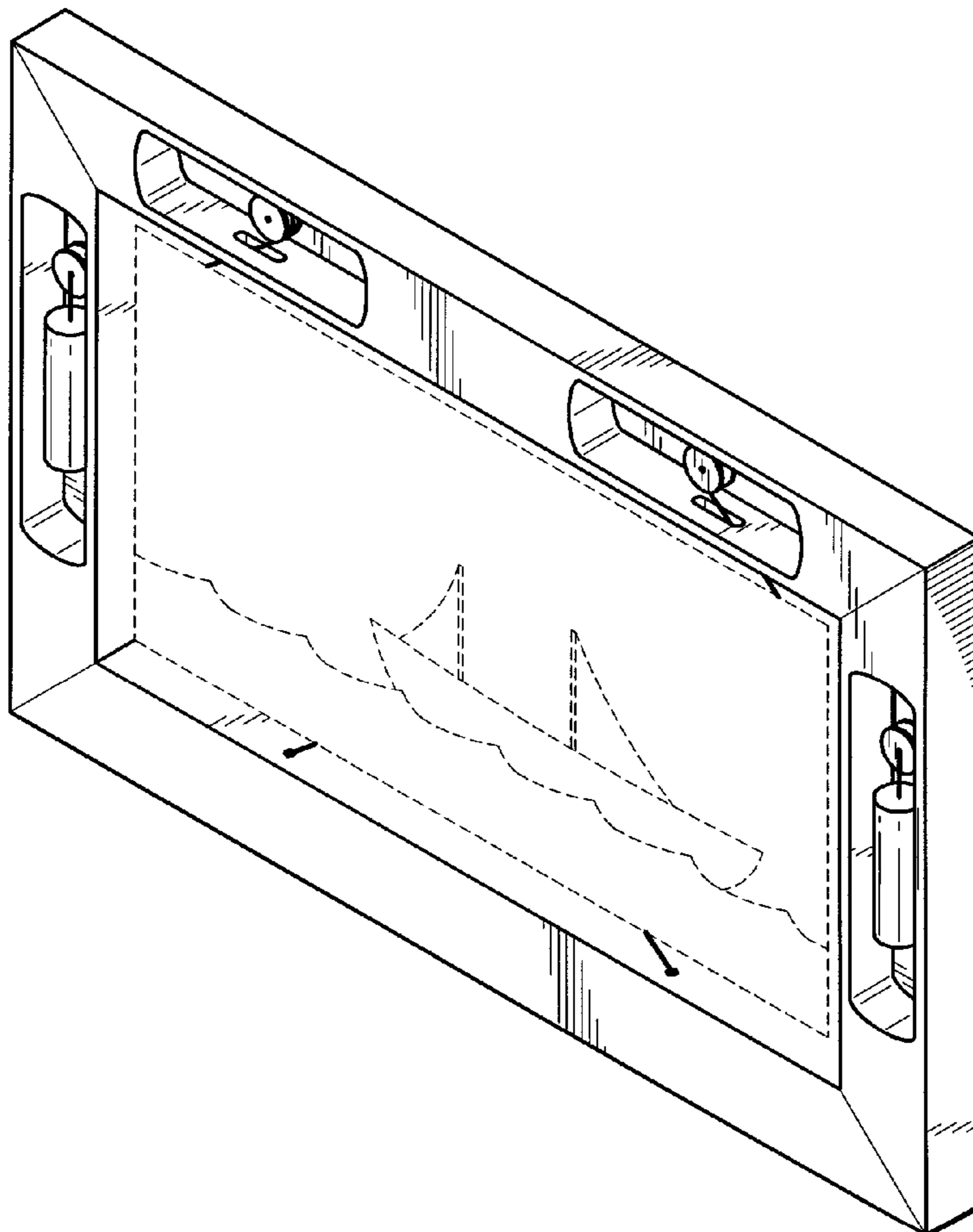
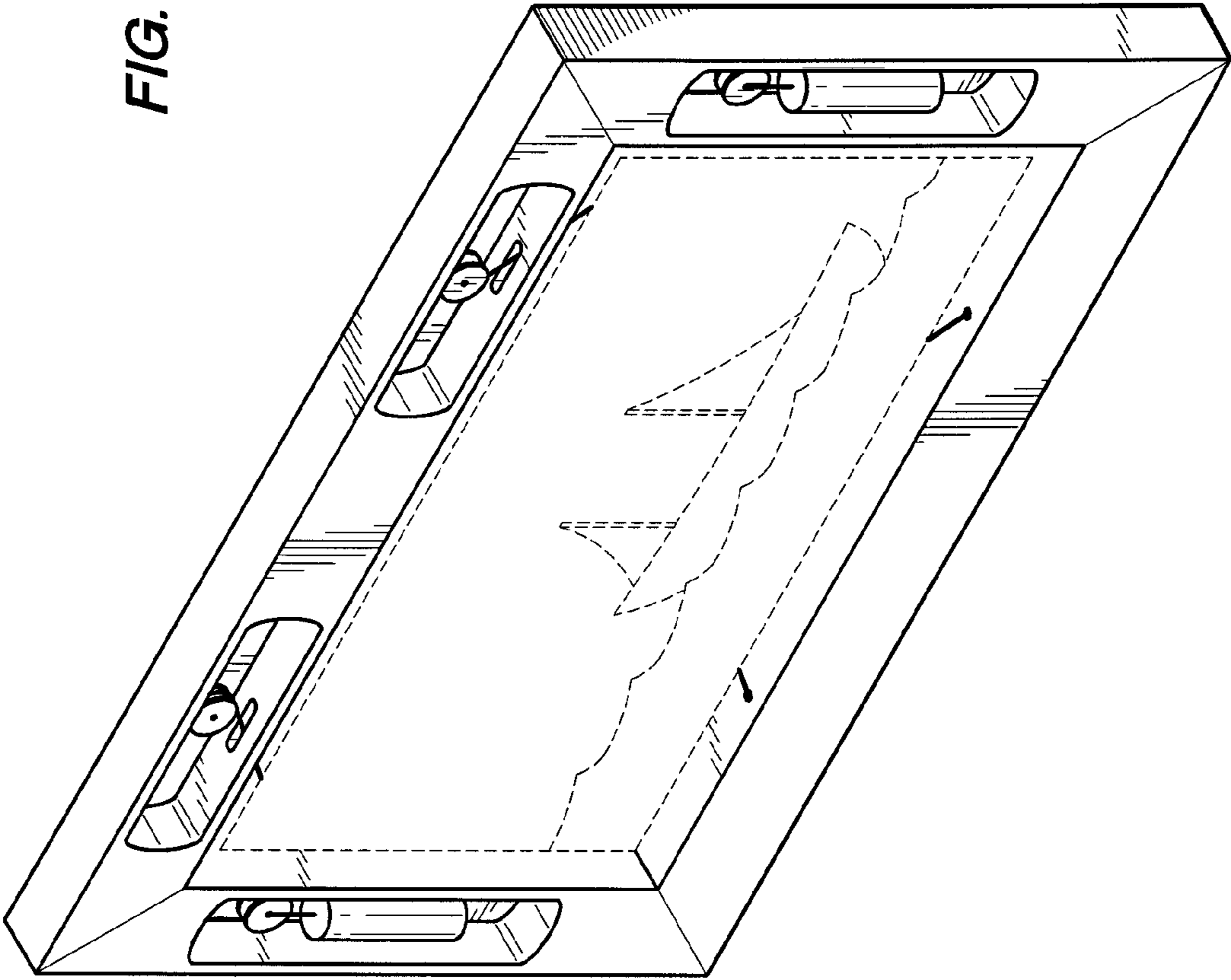


FIG. 1



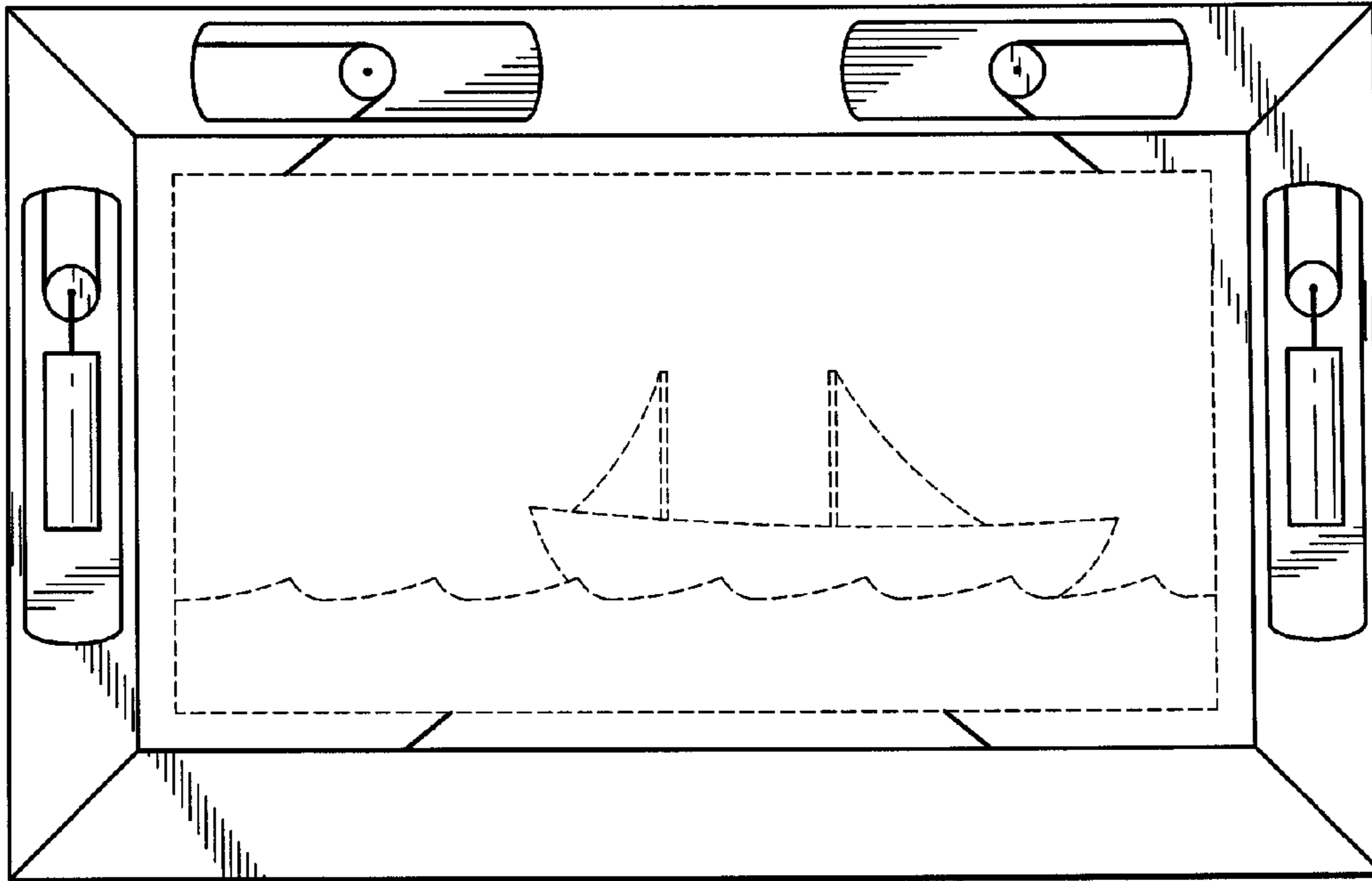


FIG. 2



FIG. 3

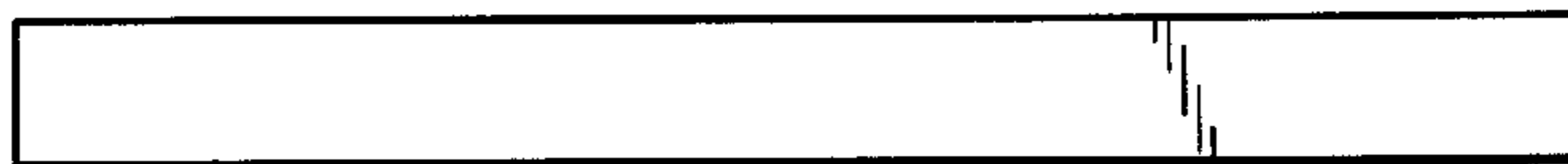


FIG. 4