



US00D633307S

(12) **United States Design Patent**
Mangelsen

(10) **Patent No.:** **US D633,307 S**
(45) **Date of Patent:** **** Mar. 1, 2011**

(54) **FRAME**

(75) Inventor: **William P. Mangelsen**, Kowloon (HK)

(73) Assignee: **Sino Harvest Limited**, Kowloon (HK)

(**) Term: **14 Years**

(21) Appl. No.: **29/280,199**

(22) Filed: **May 21, 2007**

(51) **LOC (9) Cl.** **06-07**

(52) **U.S. Cl.** **D6/300; D6/312**

(58) **Field of Classification Search** D6/300-314;
40/700, 757, 758, 734, 743, 720, 721, 748,
40/491, 716, 768; 211/40; 273/157 R

See application file for complete search history.

(56) **References Cited**

U.S. PATENT DOCUMENTS

697,872	A *	4/1902	Oldenbusch	40/748
3,606,338	A *	9/1971	Cannata	273/157 R
3,771,244	A *	11/1973	Ebner	40/721
3,787,992	A *	1/1974	Leonhardt	40/743
4,290,530	A *	9/1981	Wooster	211/40
5,421,111	A *	6/1995	Primm et al.	40/721
5,743,038	A *	4/1998	Soto	40/743
D446,394	S	8/2001	Sakaguchi	
6,490,818	B1 *	12/2002	Bramhall et al.	40/491
D484,320	S	12/2003	Sakaguchi	
6,668,477	B1 *	12/2003	Cannady	40/716
D488,625	S	4/2004	Sakaguchi	
D503,543	S	4/2005	Sakaguchi	
D514,825	S	2/2006	Sakaguchi	
D517,331	S	3/2006	Sakaguchi	
D520,251	S	5/2006	Sakaguchi	

D520,755	S	5/2006	Sakaguchi	
D521,253	S	5/2006	Sakaguchi	
D525,439	S	7/2006	Sakaguchi	
D530,916	S	10/2006	Sakaguchi	
2004/0177543	A1 *	9/2004	Zeisel	40/768
2005/0044767	A1 *	3/2005	Lasher	40/757

* cited by examiner

Primary Examiner—Philip S Hyder

Assistant Examiner—Sydney R Buffalow

(74) *Attorney, Agent, or Firm*—Edwin A. Sisson, Attorney at Law, LLC; Michelle M. Christeon

(57) **CLAIM**

The ornamental design for a frame, as shown and described.

DESCRIPTION

FIG. 1 is a front perspective elevational view of a frame showing my new design;

FIG. 2 is a rear perspective elevational view thereof;

FIG. 3 is a rear perspective elevational view, wherein the inner frame is slightly rotated;

FIG. 4 is a second rear perspective elevational view, wherein the inner frame is slightly rotated;

FIG. 5 is a top plan elevational view thereof, the bottom plan being a mirror image;

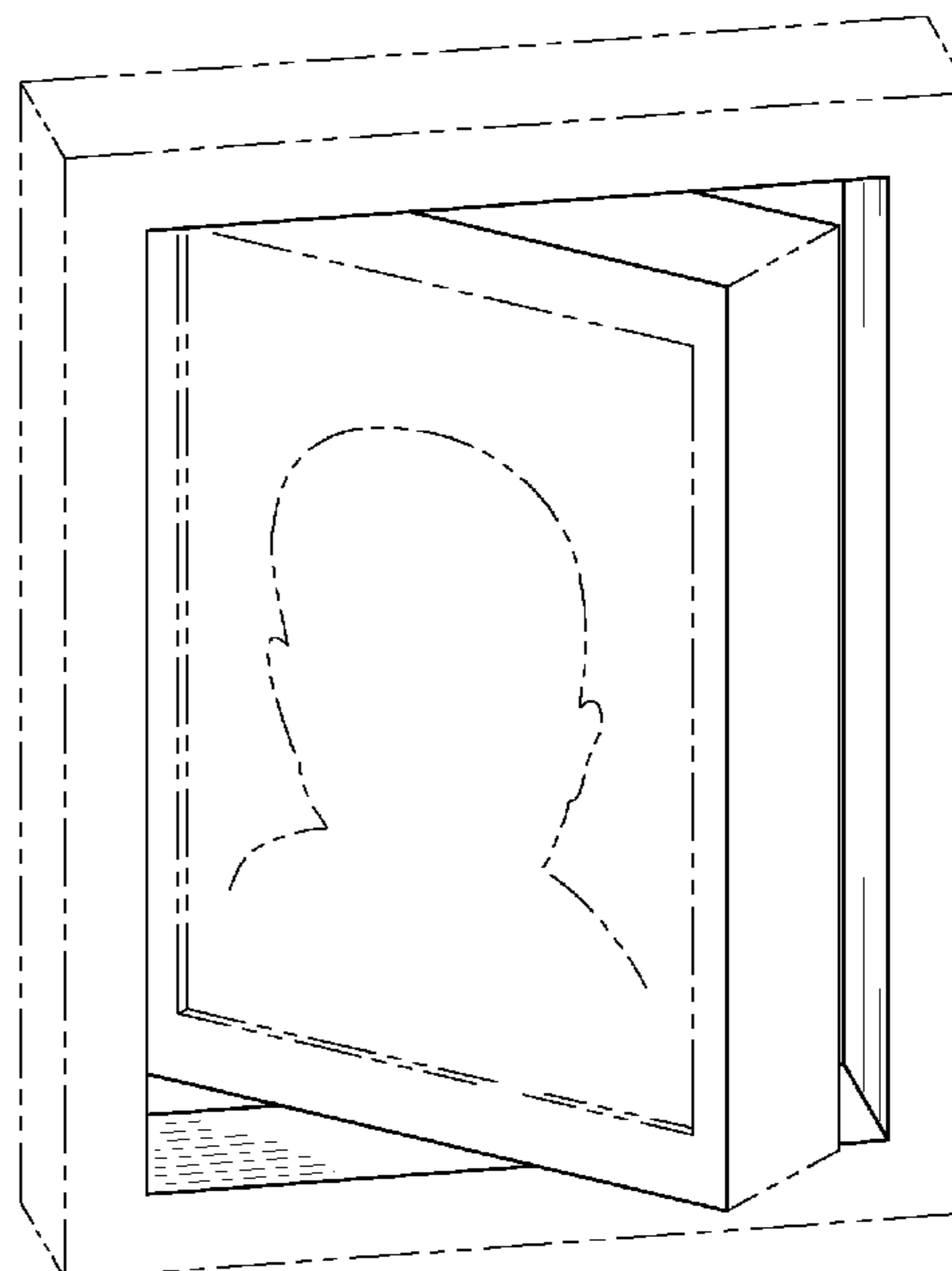
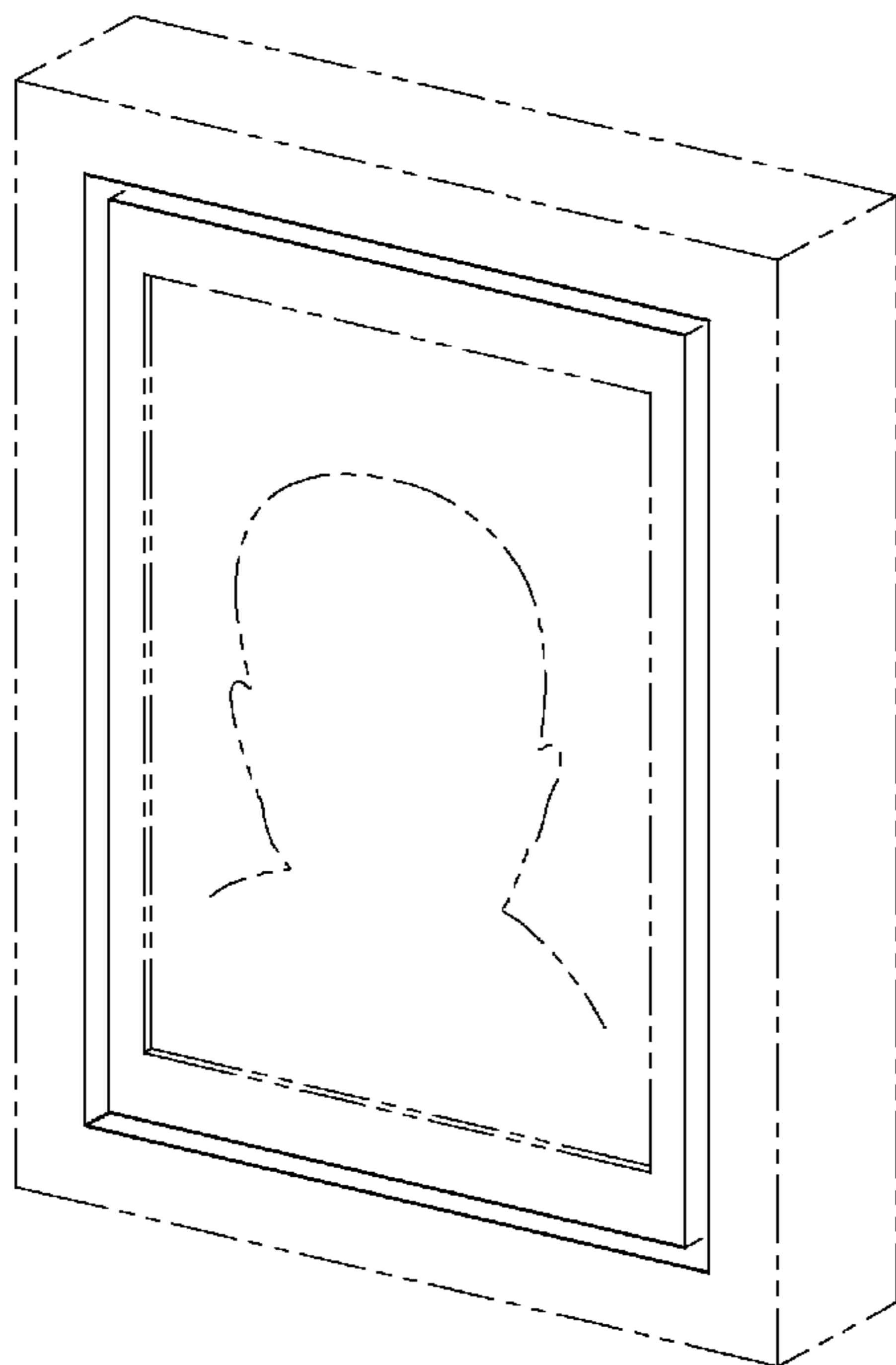
FIG. 6 is a front elevational view thereof;

FIG. 7 is a left-side elevational view thereof, the right-side being a mirror image; and,

FIG. 8 is a rear elevational view thereof.

The broken lines form no part of the claimed design.

1 Claim, 3 Drawing Sheets



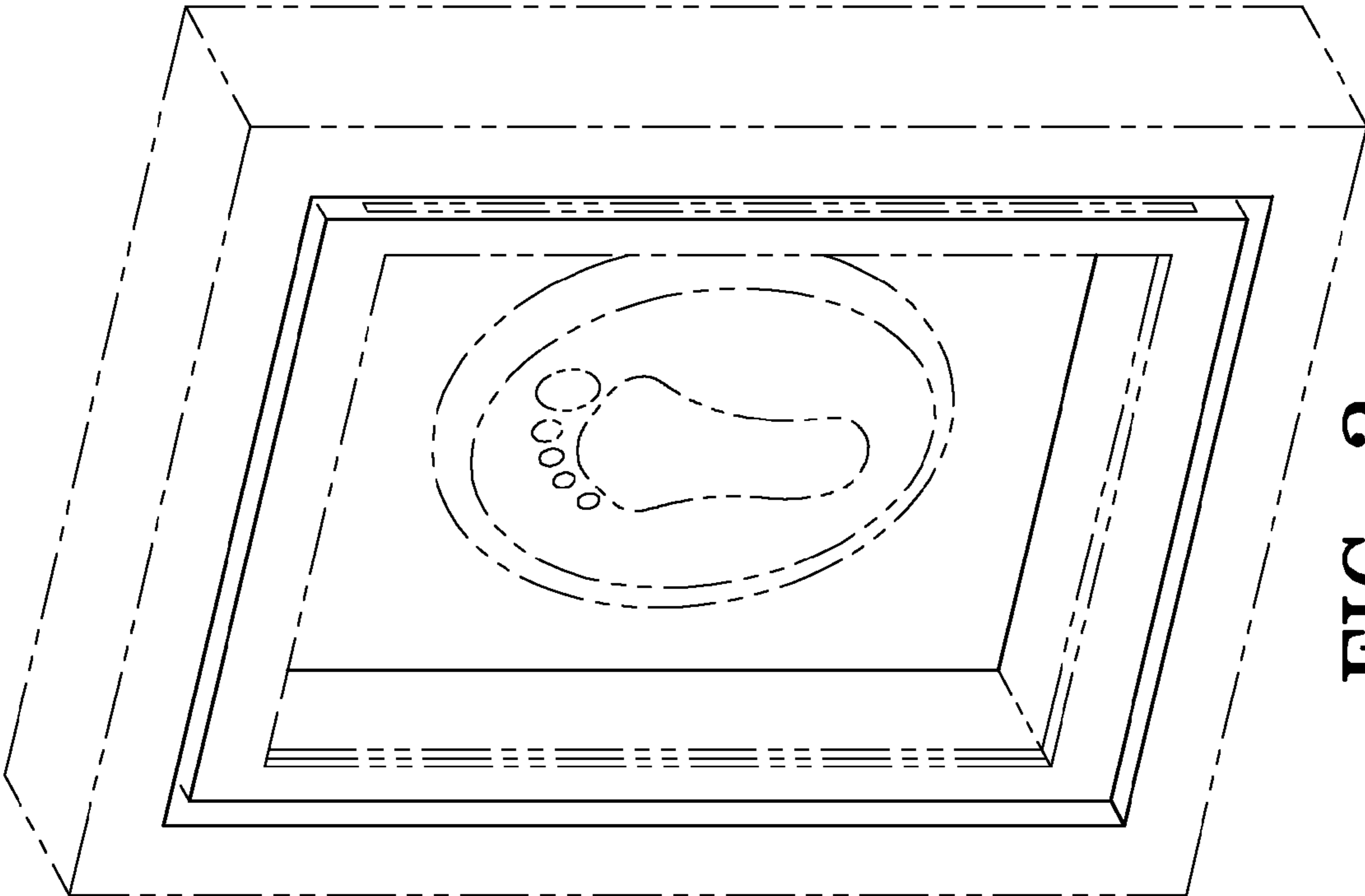


FIG-2

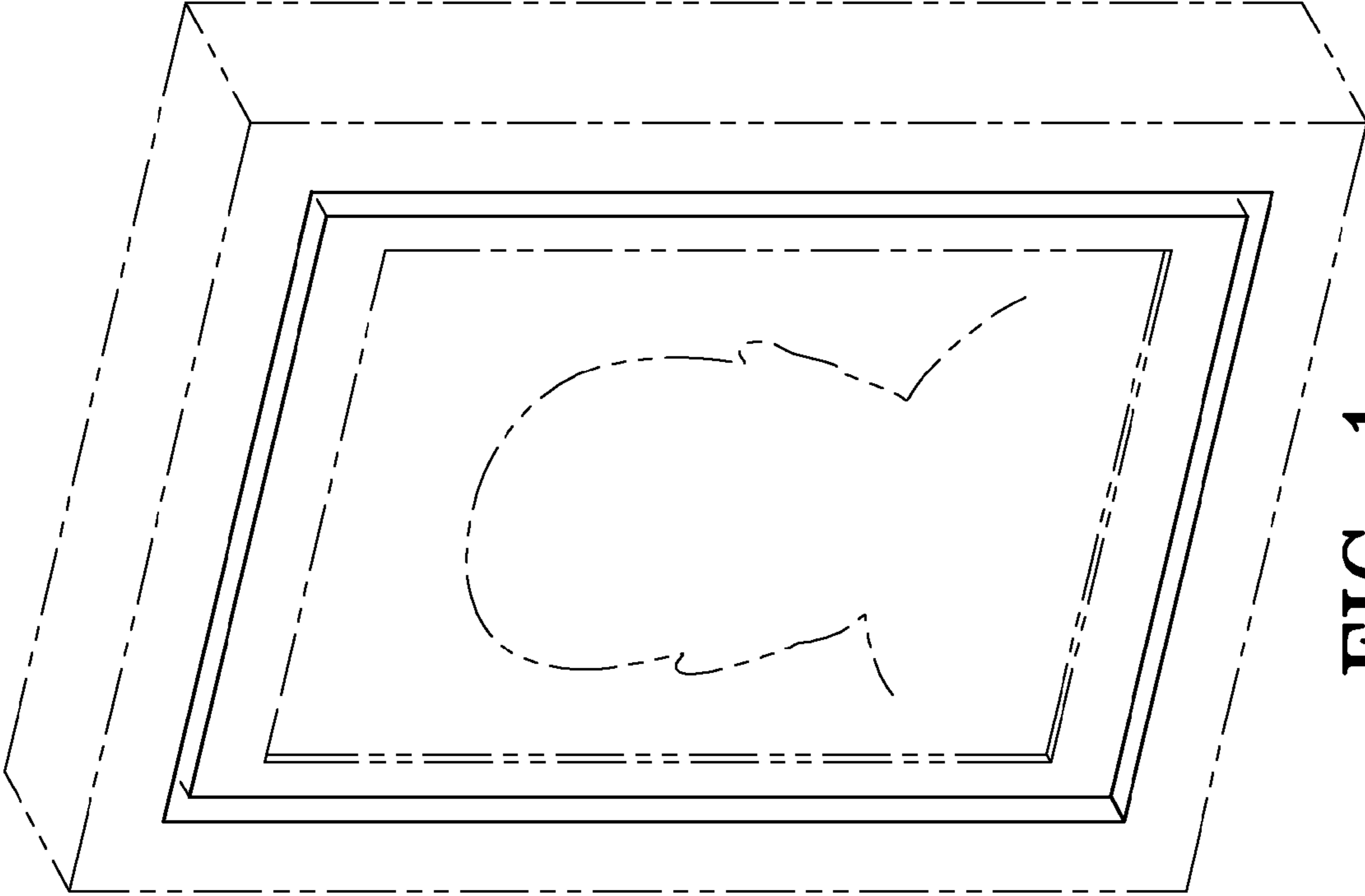


FIG-1

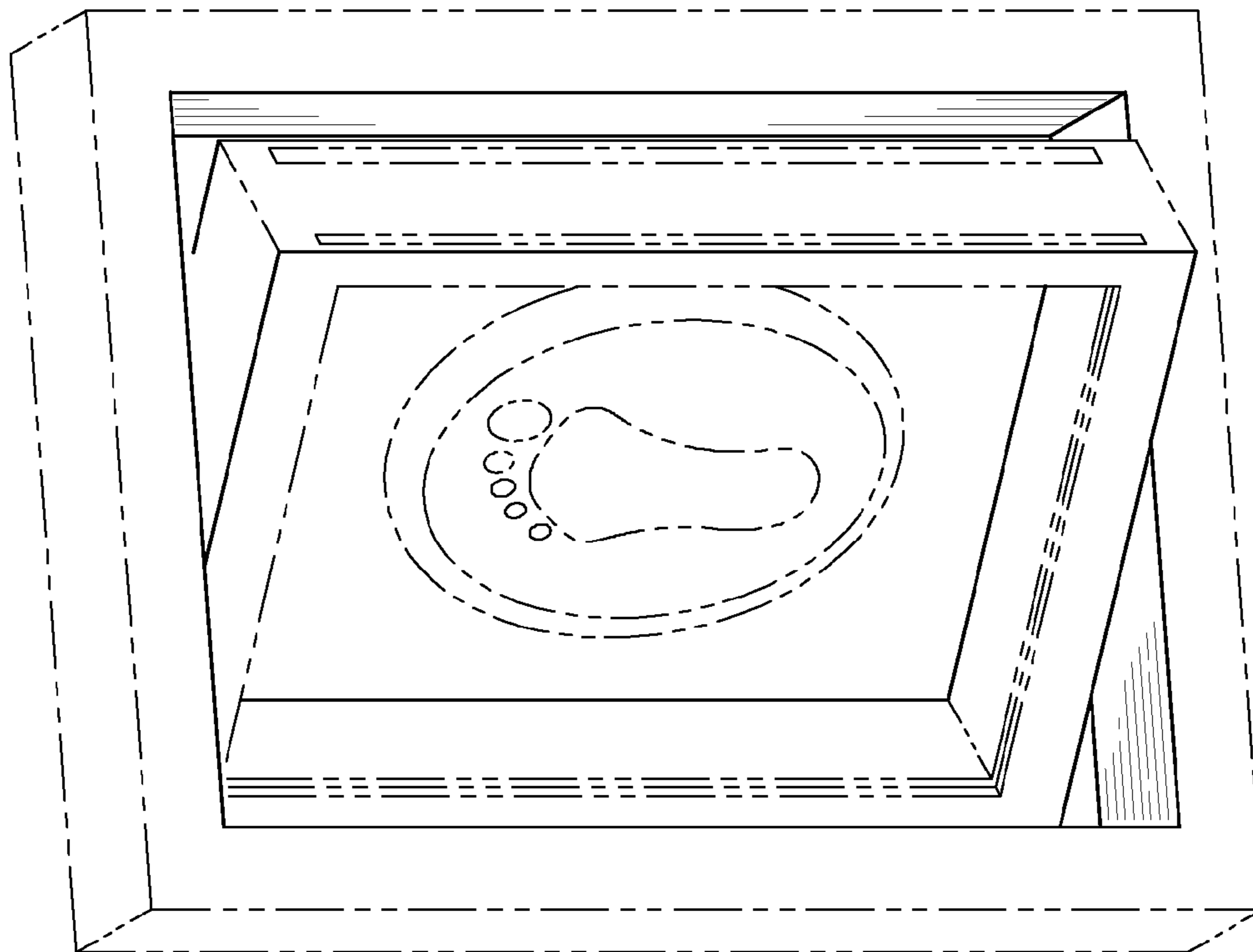


FIG-4

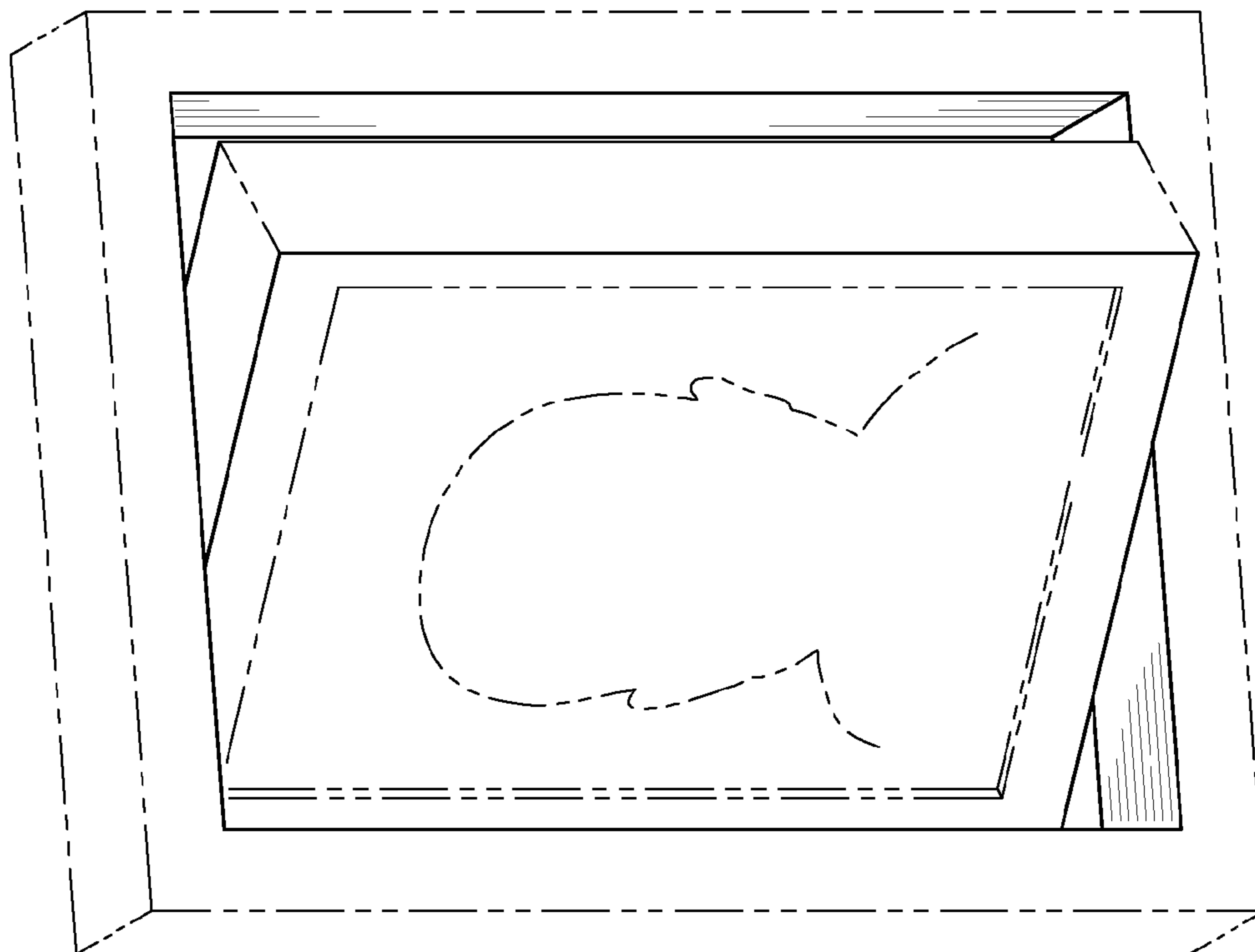


FIG-3



FIG-5

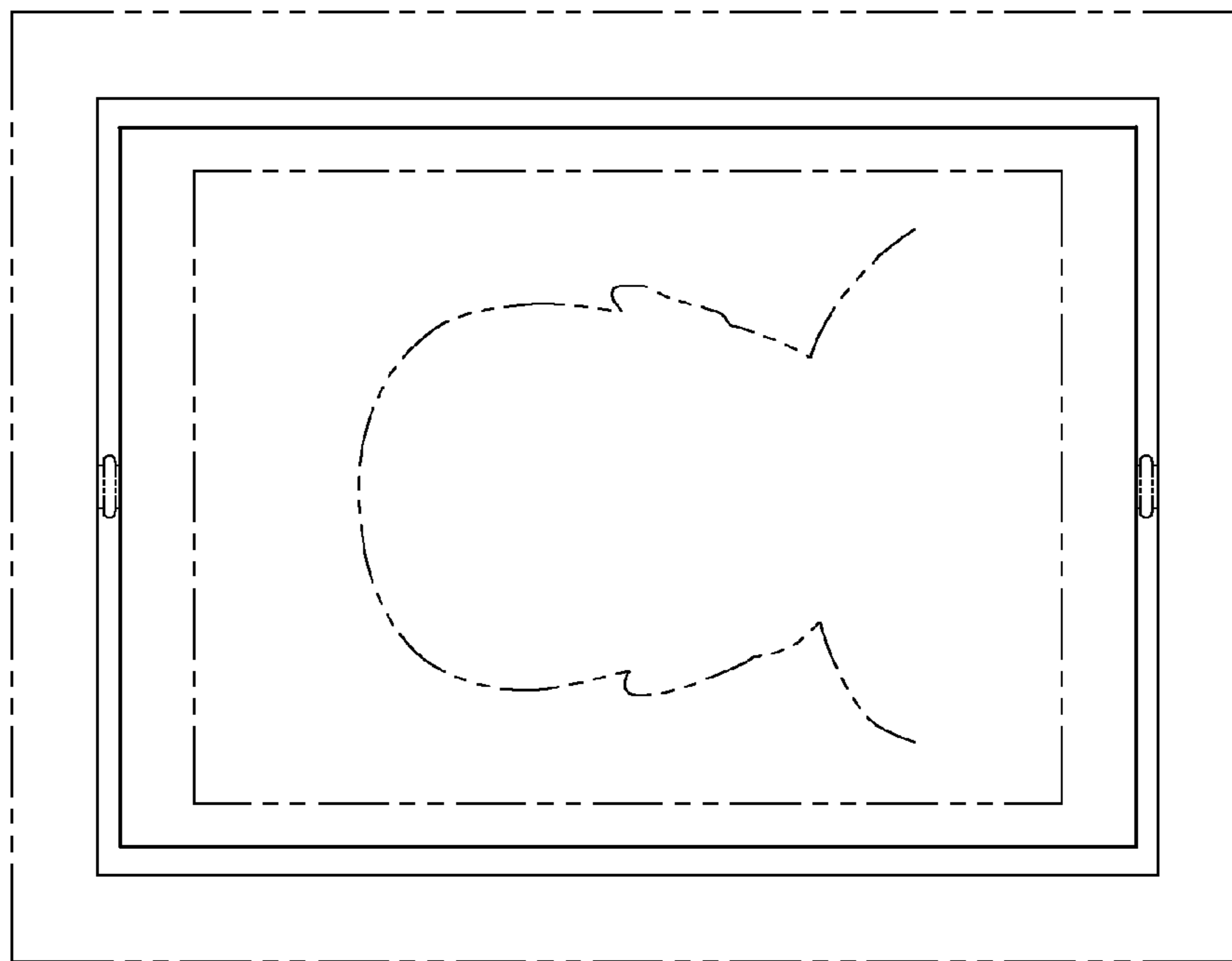


FIG-6



FIG-7

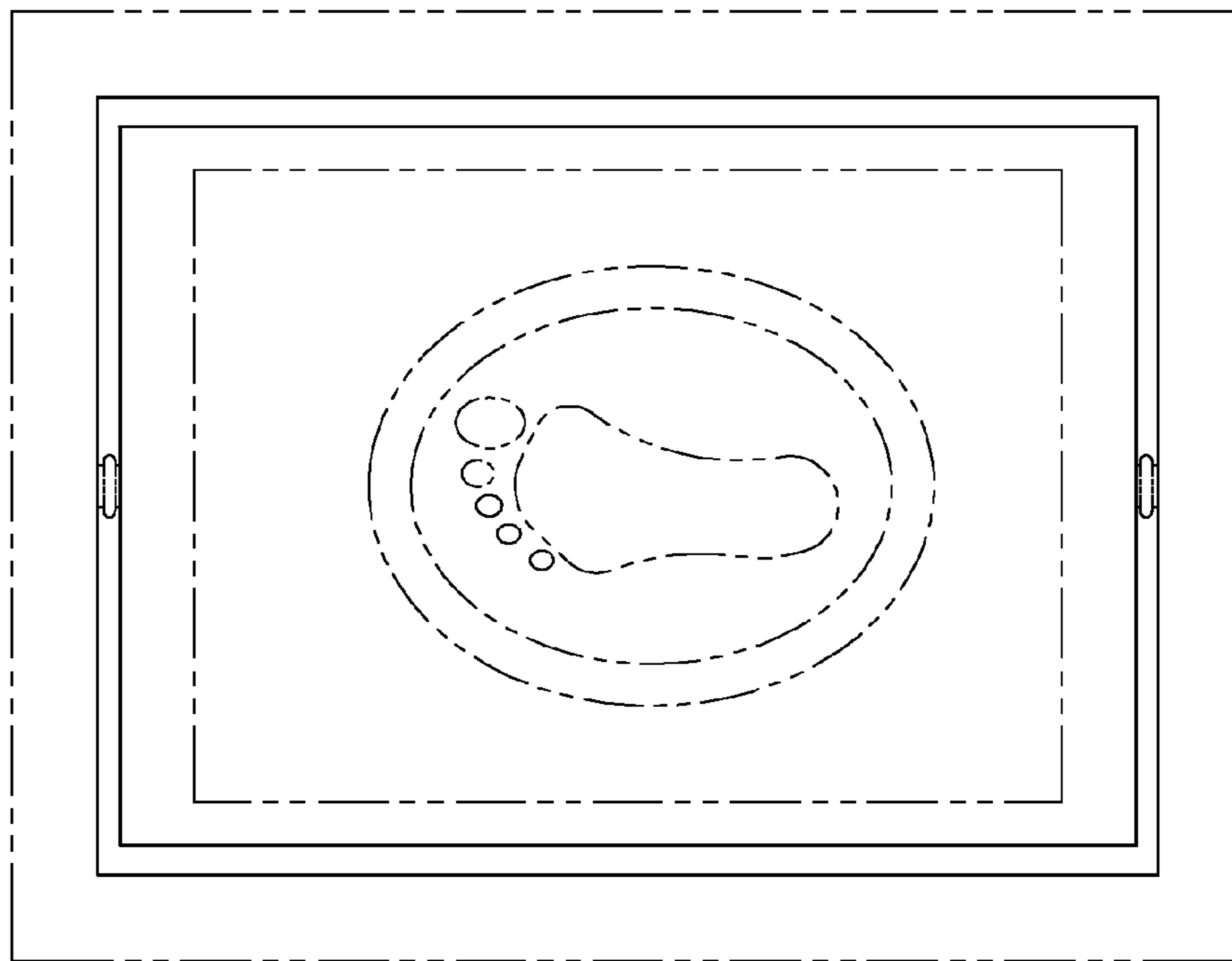


FIG-8