



US00D633300S

(12) **United States Design Patent**
Fair

(10) **Patent No.:** **US D633,300 S**
(45) **Date of Patent:** **** Mar. 1, 2011**

(54) **RETRACTABLE TROLLEY RAILS FOR LUGGAGE**

(75) Inventor: **Paul Fair**, Denver, CO (US)

(73) Assignee: **Thule Organization Solutions, Inc.**, Longmont, CO (US)

(**) Term: **14 Years**

(21) Appl. No.: **29/354,480**

(22) Filed: **Jan. 25, 2010**

(51) **LOC (9) Cl.** **03-01**

(52) **U.S. Cl.** **D3/318**

(58) **Field of Classification Search** D3/279,
D3/318; 190/18 A, 18 R, 24, 39, 115, 117,
190/119

See application file for complete search history.

(56) **References Cited**

U.S. PATENT DOCUMENTS

6,176,357 B1 *	1/2001	Kuo	190/18 A
6,575,274 B1 *	6/2003	Huang	190/115
D489,531 S *	5/2004	Oh	D3/318

* cited by examiner

Primary Examiner—Holly H Baynham

(74) *Attorney, Agent, or Firm*—Sheridan Ross P.C.

(57) **CLAIM**

The ornamental design for retractable trolley rails for luggage, as shown and described.

DESCRIPTION

FIG. 1 is a perspective view of the retractable trolley rails shown interconnected to a piece of luggage;

FIG. 2 is an enlarged, broken away perspective view thereof;

FIG. 3 is an enlarged, broken away perspective view of another portion of the rail;

FIG. 4 is a reduced scale, environmental view;

FIG. 5 is a rear elevation view thereof;

FIG. 6 is a right elevation view thereof;

FIG. 7 is a top plan view thereof;

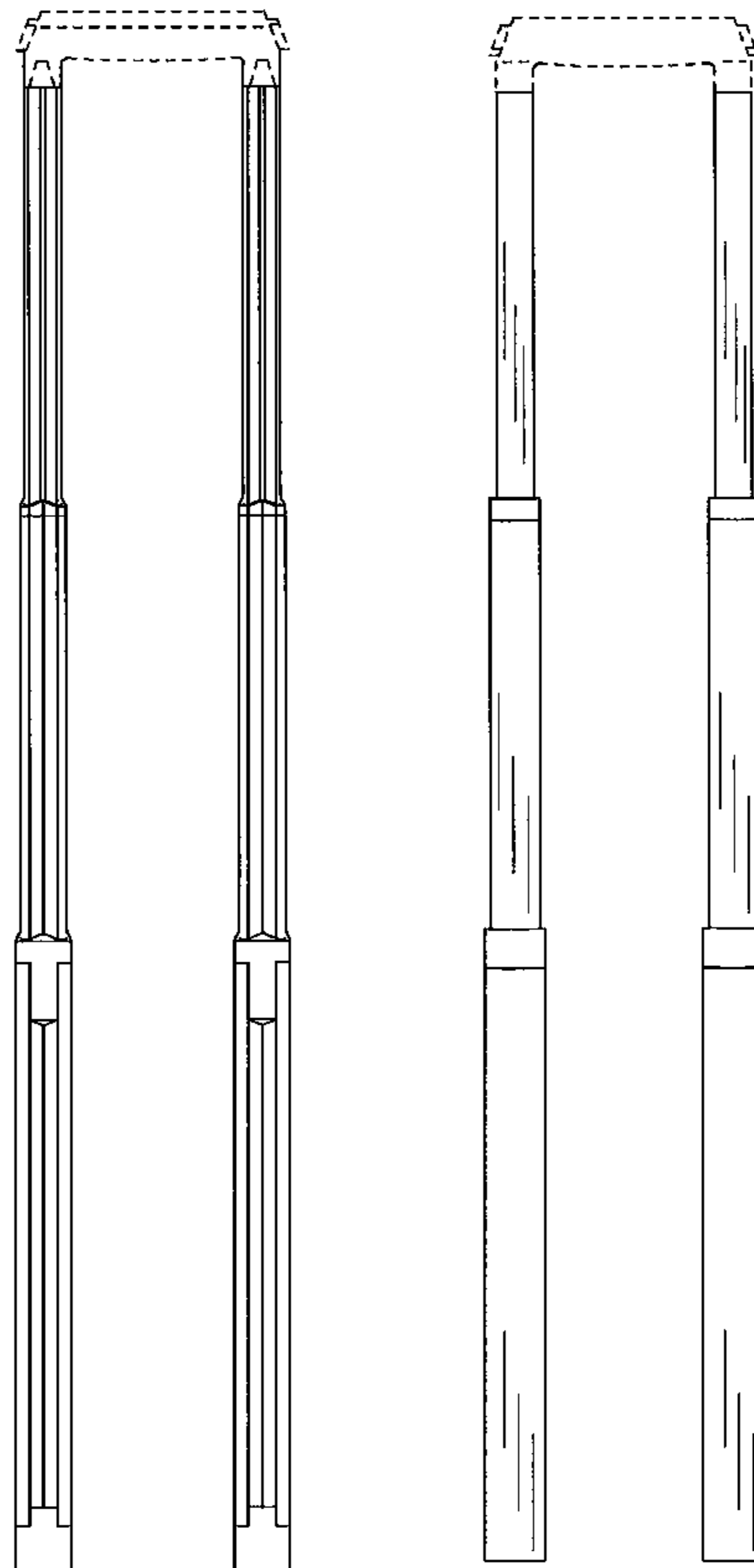
FIG. 8 is a bottom plan view thereof; and,

FIG. 9 is a left elevation view thereof.

The broken line showing of a suitcase and suitcase handle is included for the purpose of illustrating environment and forms no part of the claimed design.

The claimed design is shown enlarged and fragmented for clarity of illustration.

1 Claim, 7 Drawing Sheets



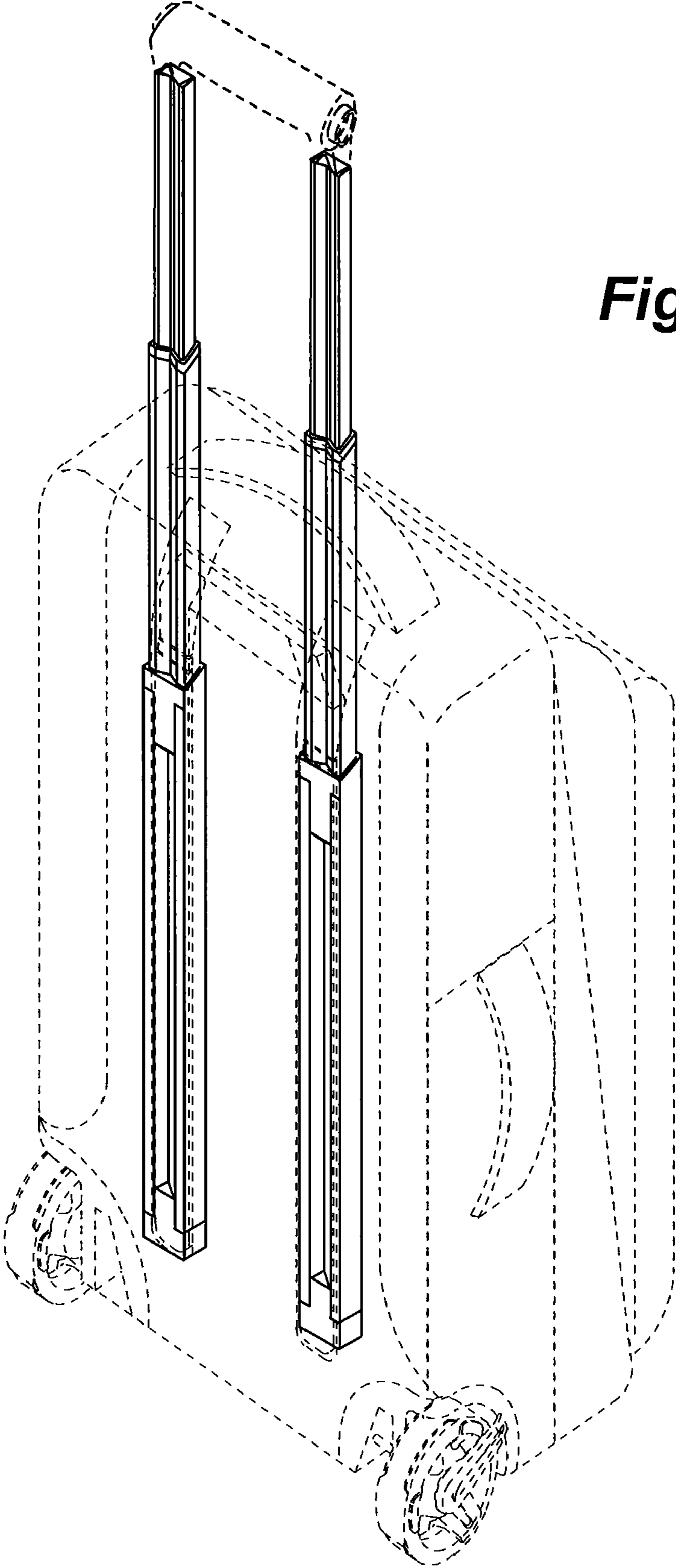


Fig. 1

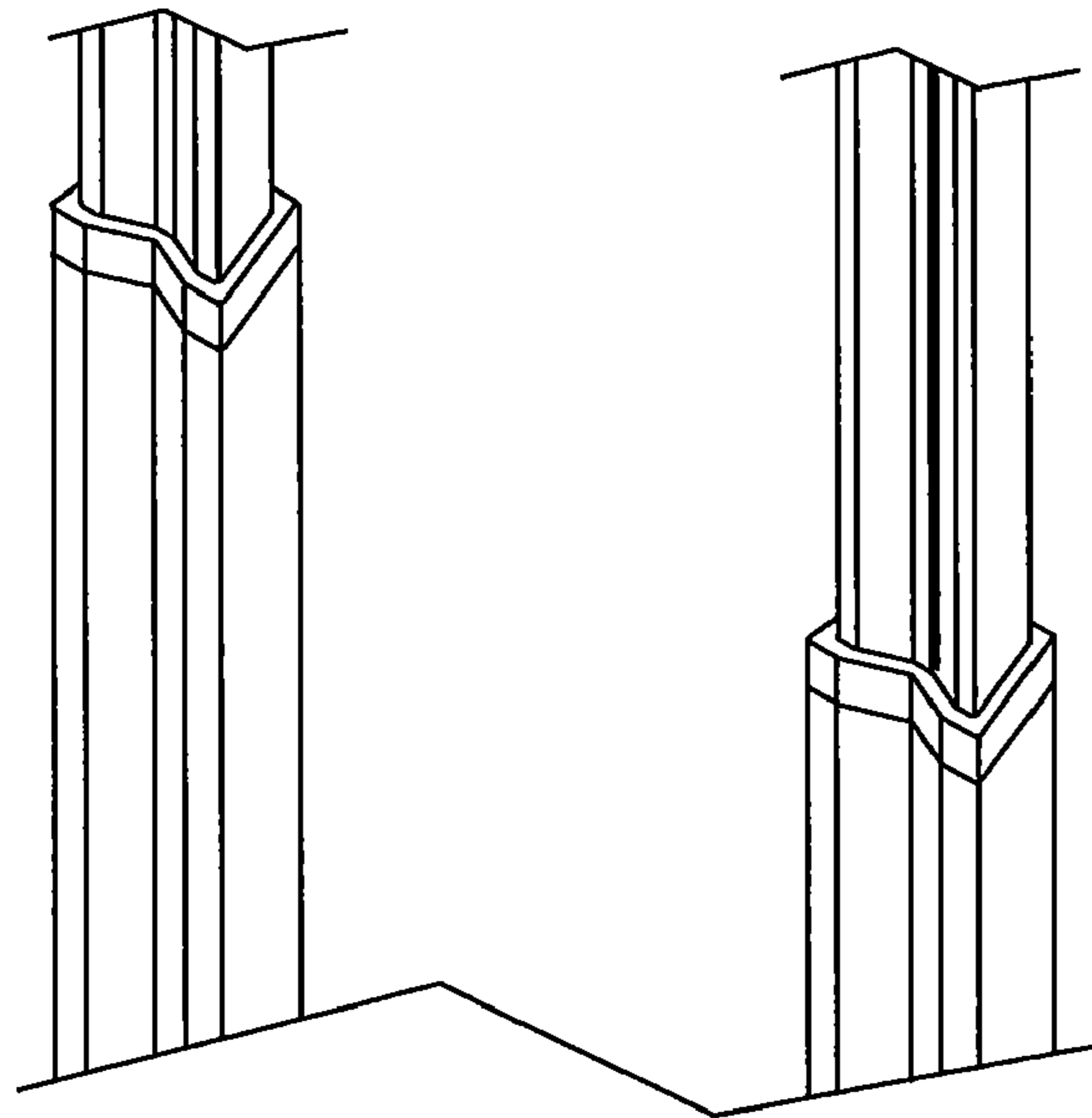


Fig. 2

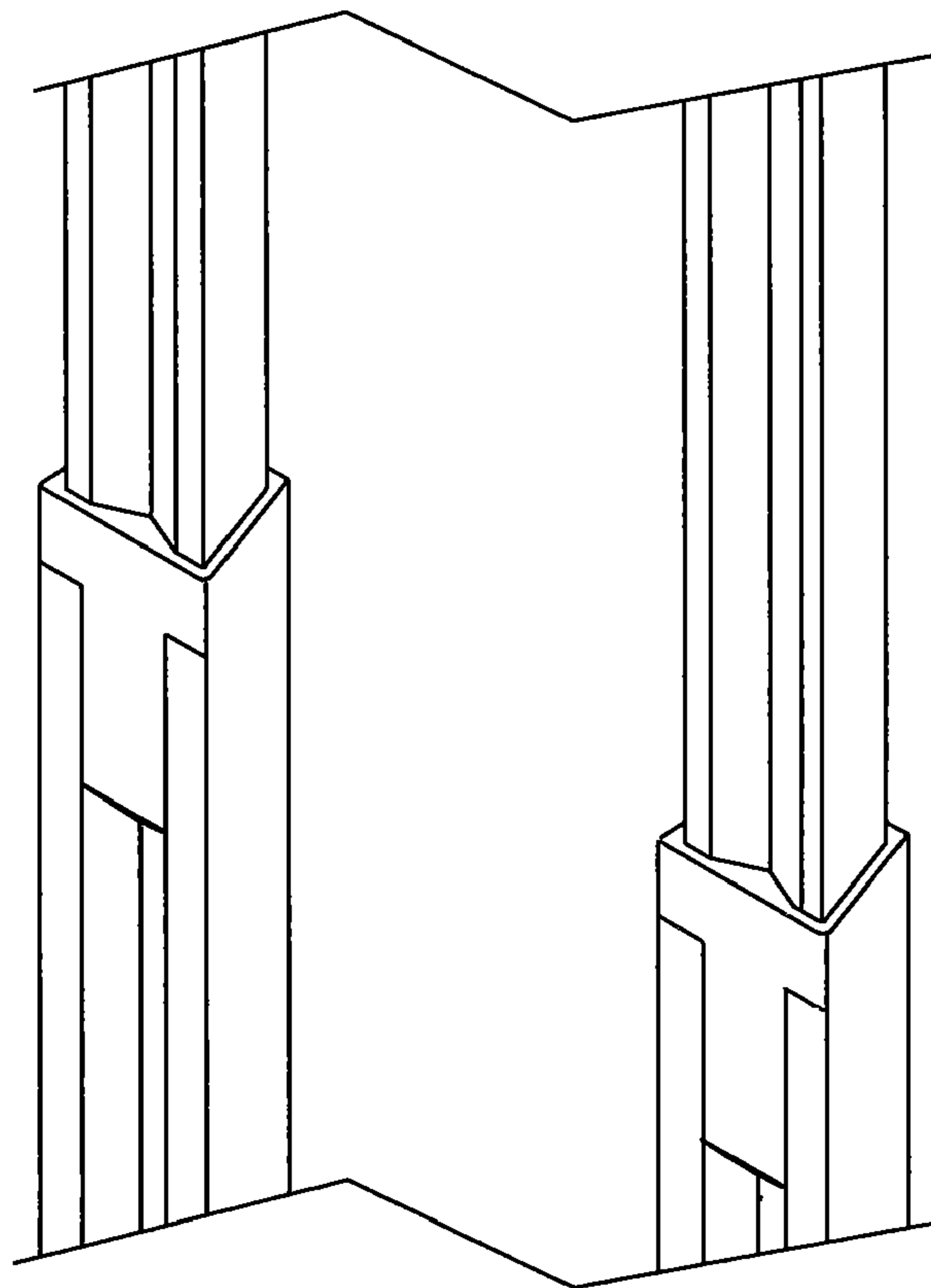


Fig. 3

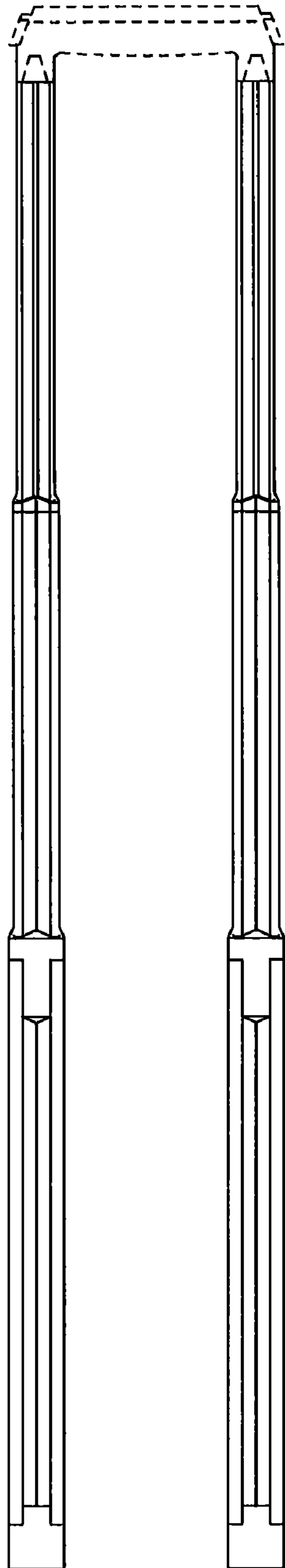
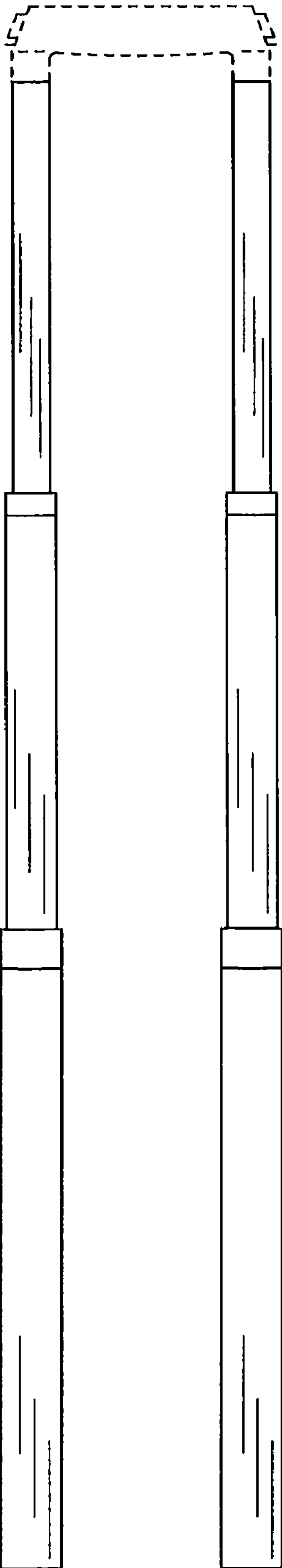


Fig. 4

Fig. 5



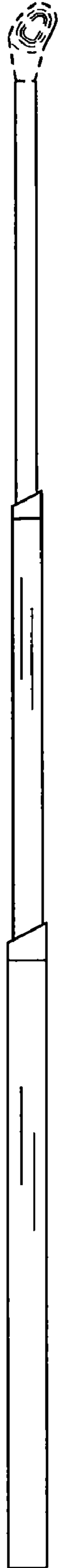


Fig. 6

Fig. 7

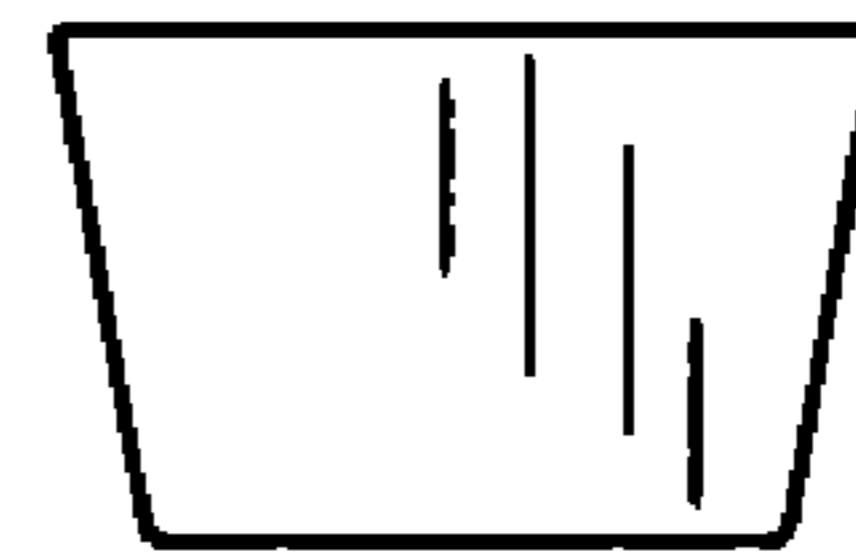
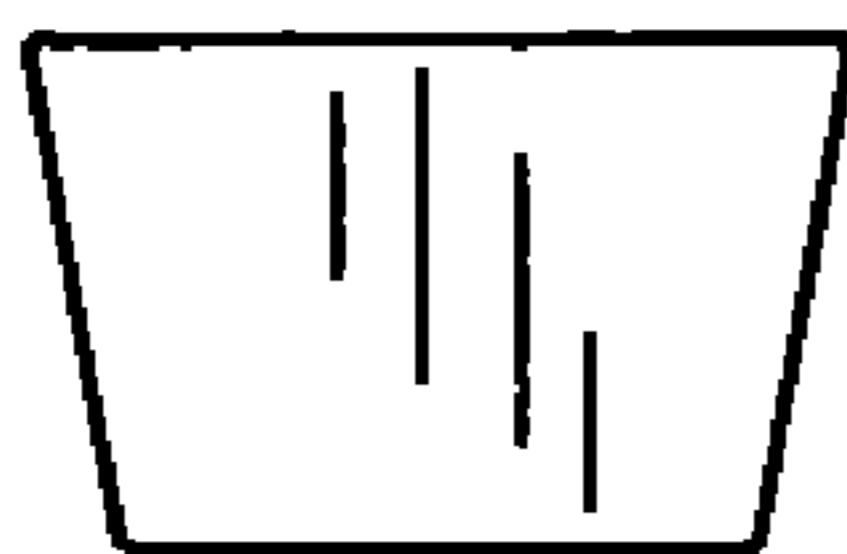
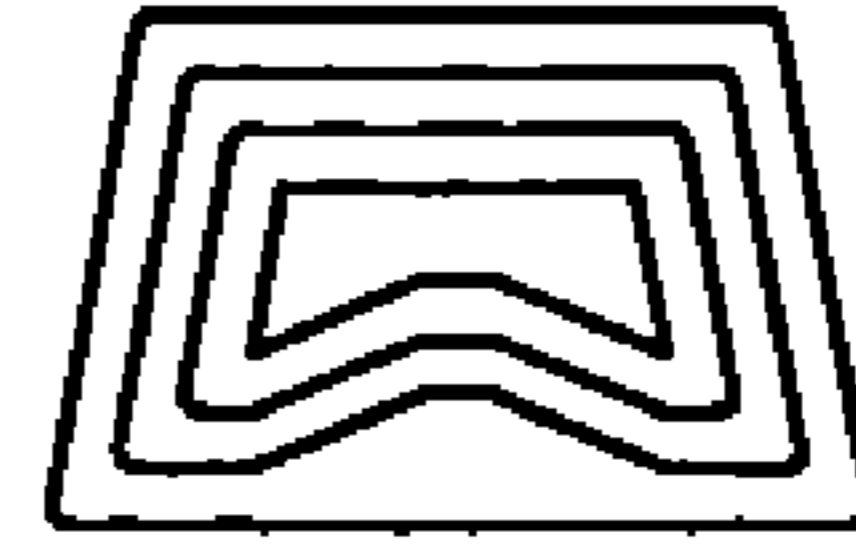
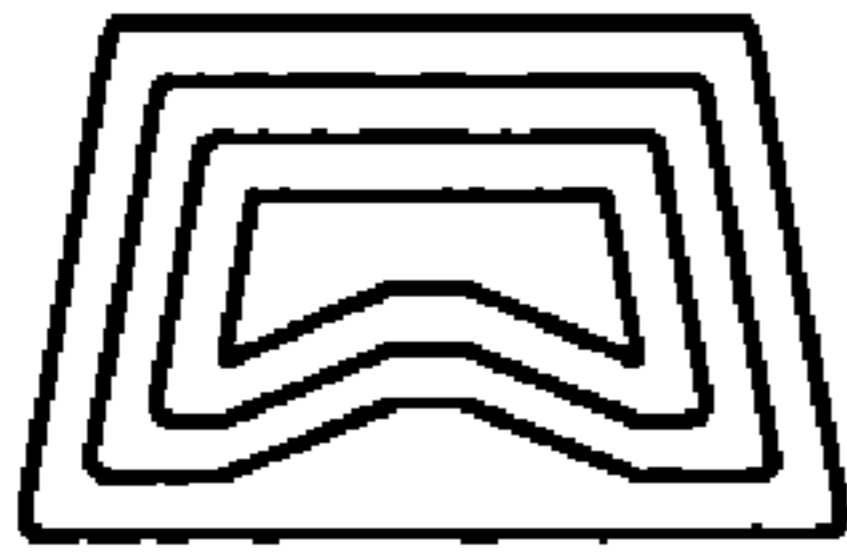


Fig. 8

Fig. 9

