



US00D633299S

(12) **United States Design Patent**
Moon

(10) **Patent No.:** **US D633,299 S**

(45) **Date of Patent:** **** Mar. 1, 2011**

(54) **WHEEL**

D581,161 S * 11/2008 Tong D3/318
D582,678 S * 12/2008 Rekuc et al. D3/318

(75) Inventor: **Jerry Moon**, Taipei (TW)

* cited by examiner

(73) Assignee: **FTI Corporation Limited**, Kowloon (HK)

Primary Examiner—Holly H Baynham
(74) *Attorney, Agent, or Firm*—Rabin & Berdo, PC

(**) Term: **14 Years**

(57) **CLAIM**

(21) Appl. No.: **29/351,858**

The ornamental design for a wheel, as shown and described.

(22) Filed: **Dec. 11, 2009**

DESCRIPTION

(51) **LOC (9) Cl.** **03-01**

FIG. 1 is a perspective view of a wheel showing our new design;

(52) **U.S. Cl.** **D3/318**

FIG. 2 is a front view thereof;

(58) **Field of Classification Search** D3/318;

FIG. 3 is a rear view thereof;

D8/375; 190/18 A, 18 R, 24, 108, 115, 117,
190/119

FIG. 4 is a left side view thereof;

See application file for complete search history.

FIG. 5 is a right side view thereof;

(56) **References Cited**

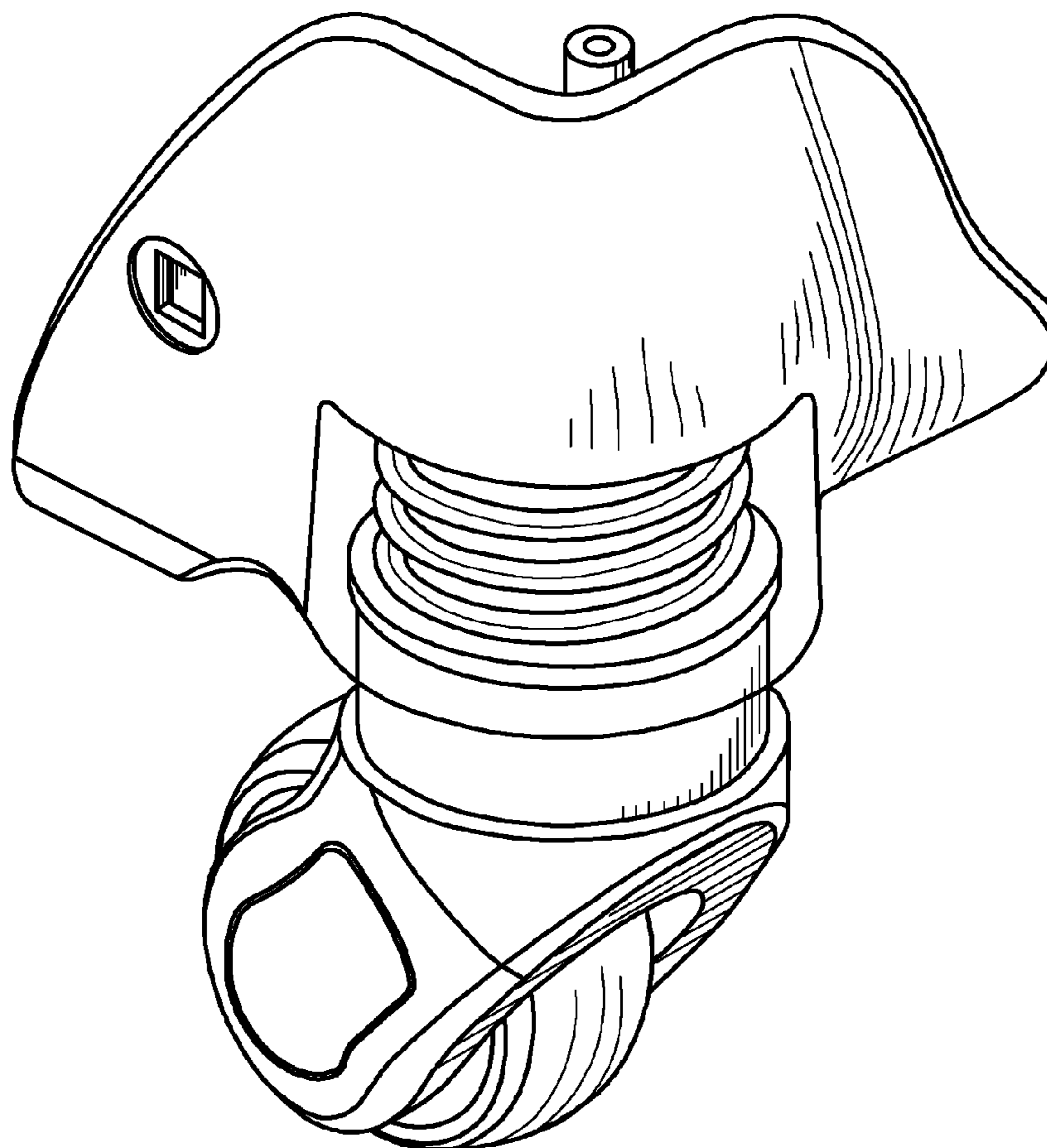
FIG. 6 is a top view thereof; and,

U.S. PATENT DOCUMENTS

FIG. 7 is a bottom view thereof.

D557,900 S * 12/2007 Sijmons D3/318

1 Claim, 7 Drawing Sheets



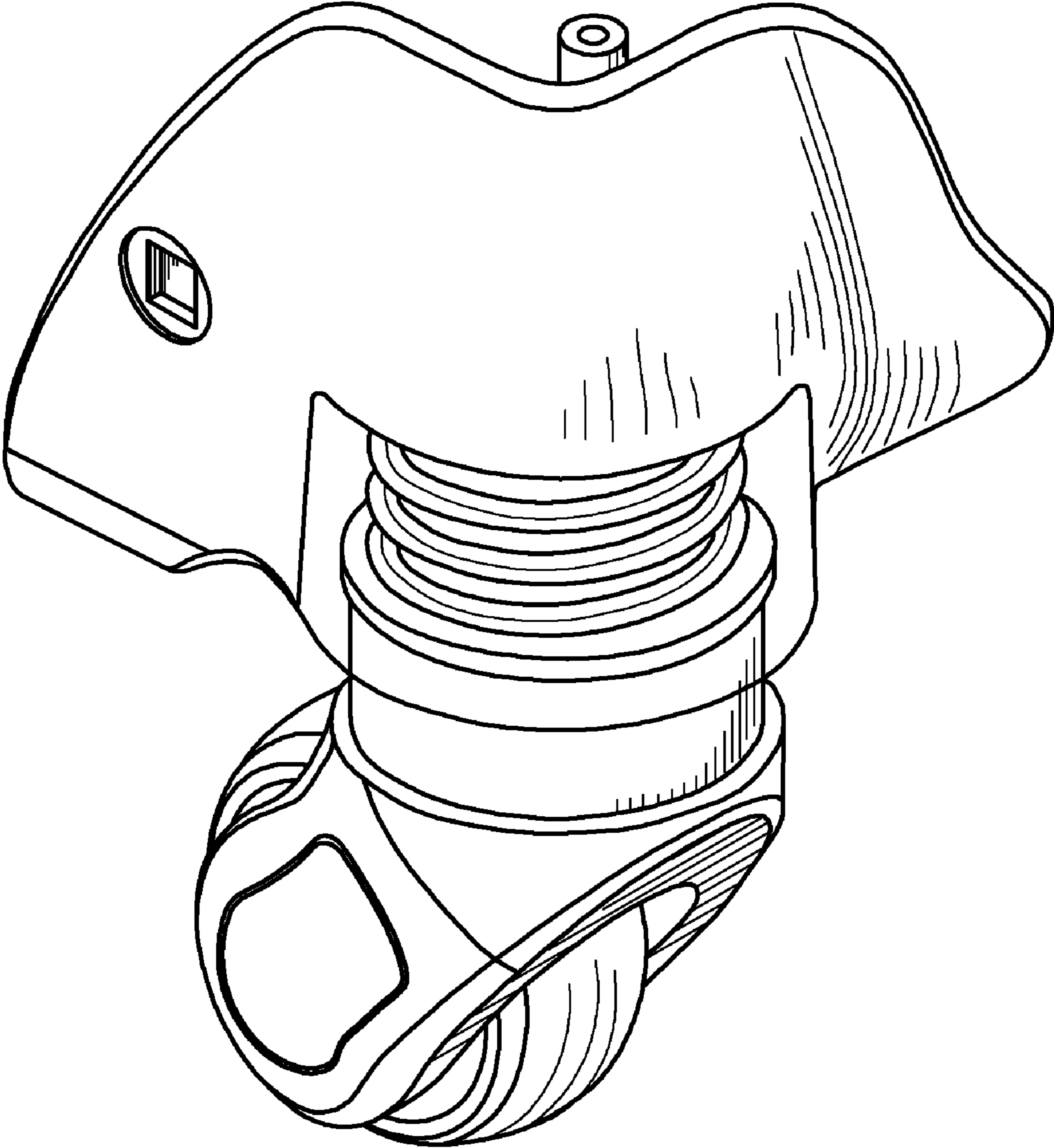


FIG. 1

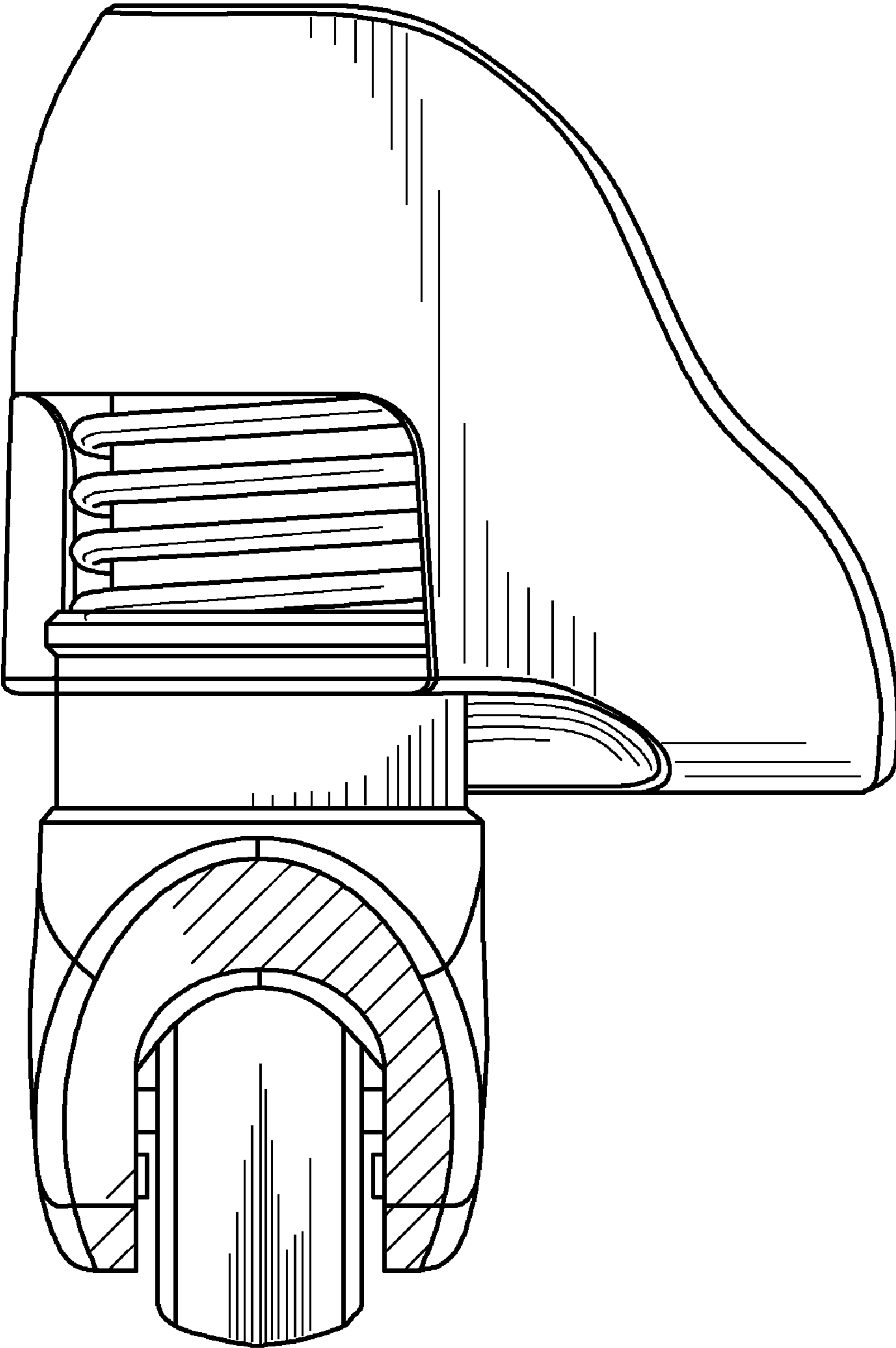


FIG. 2

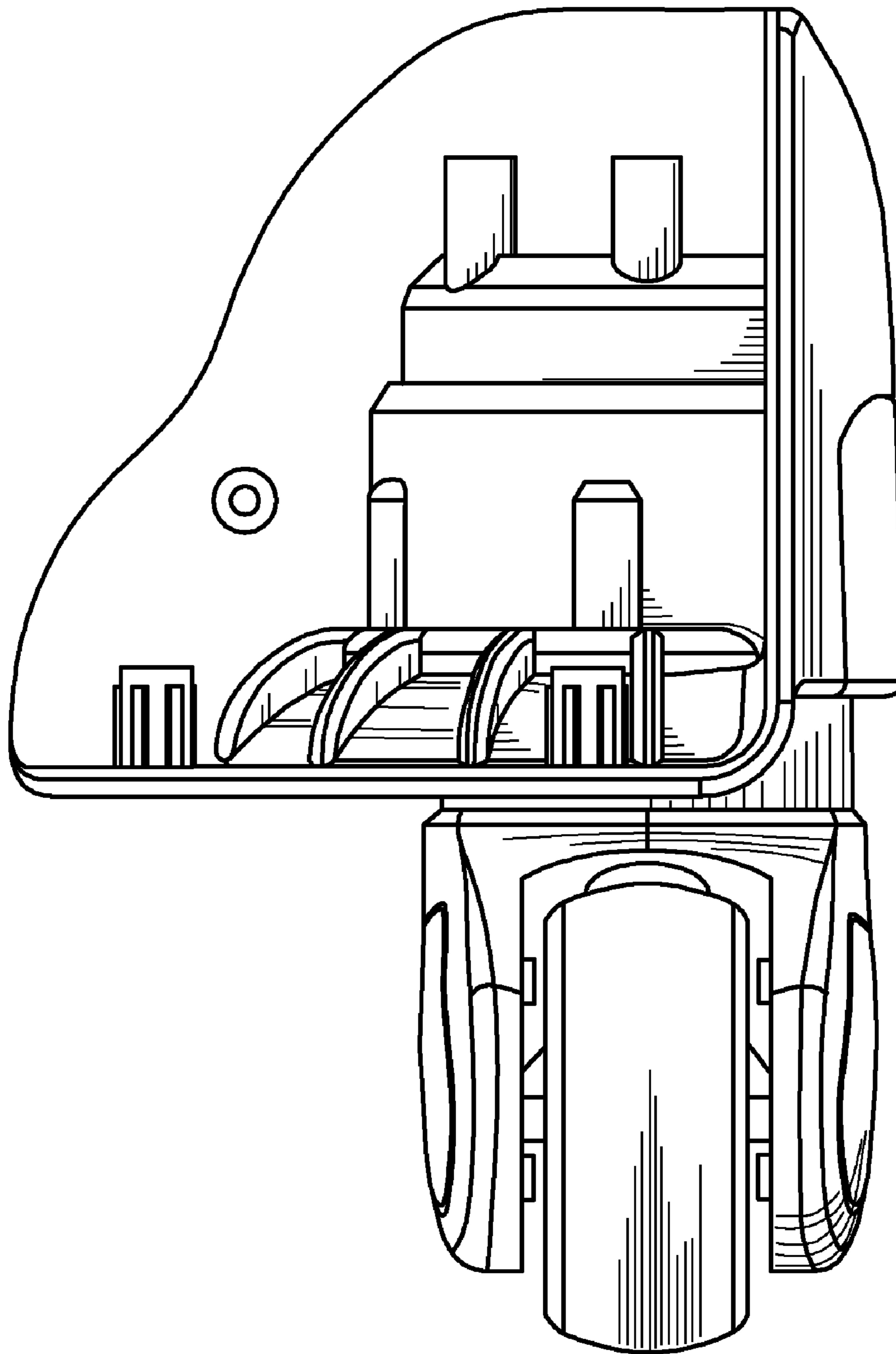


FIG. 3

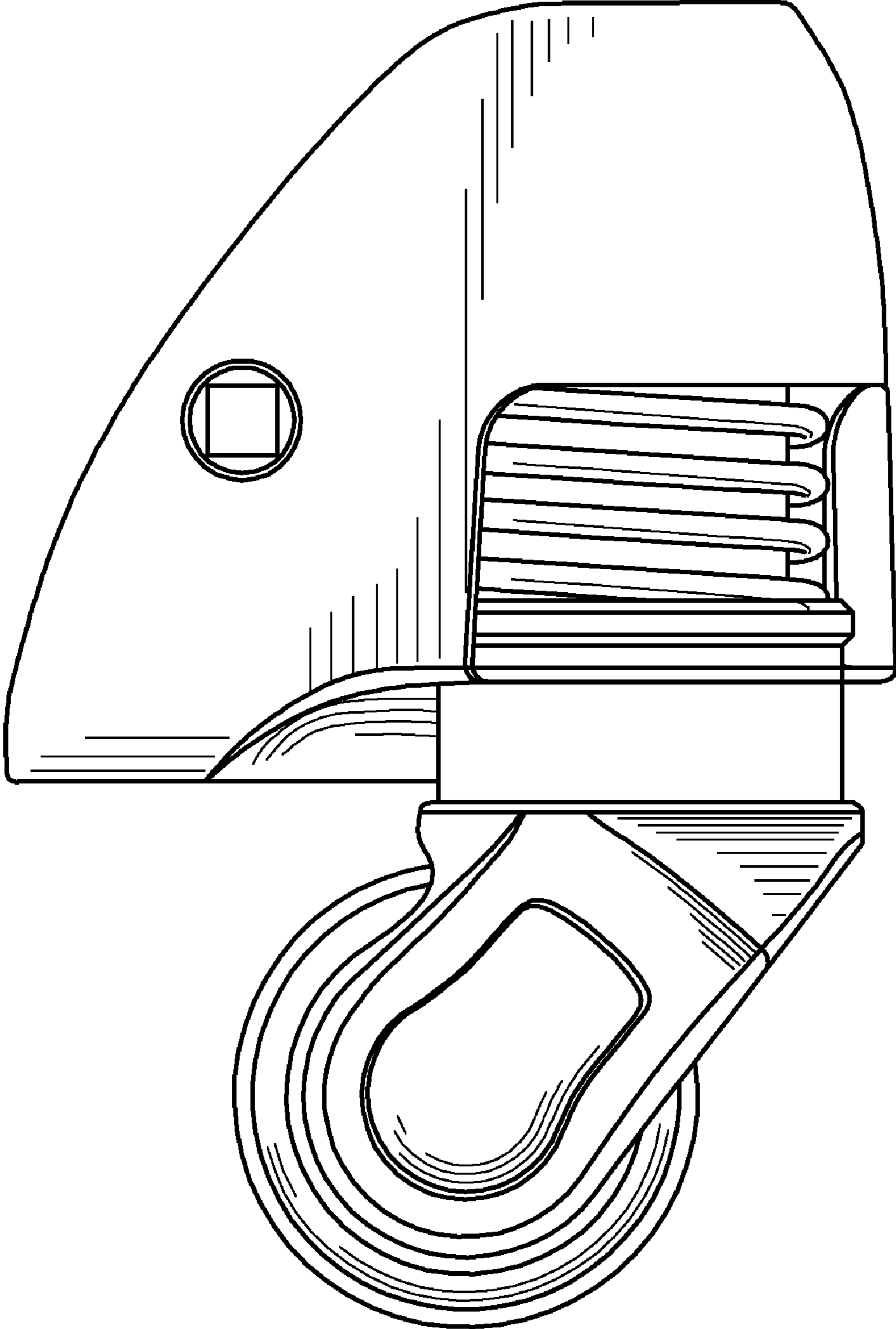


FIG. 4

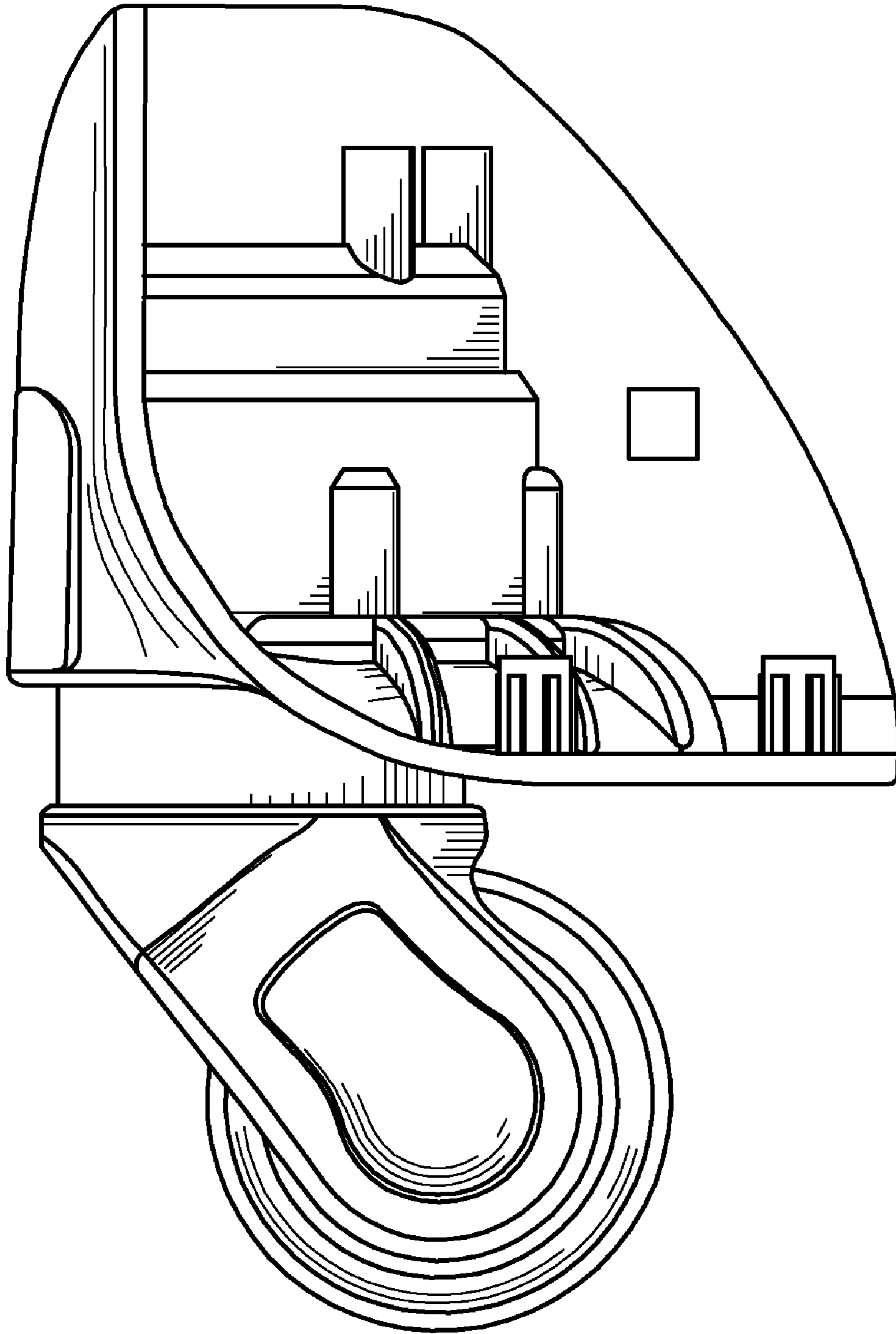


FIG. 5

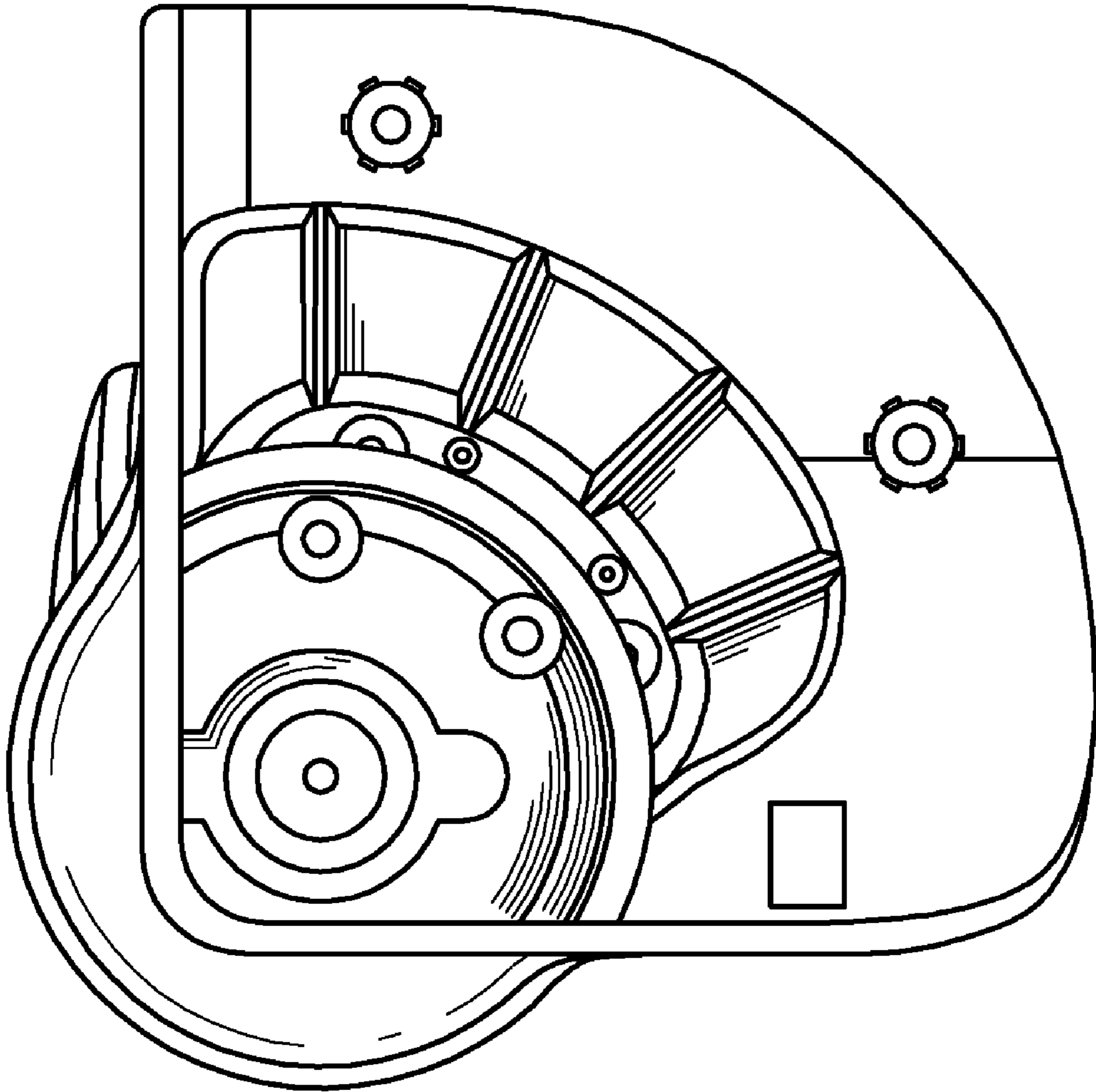


FIG. 6

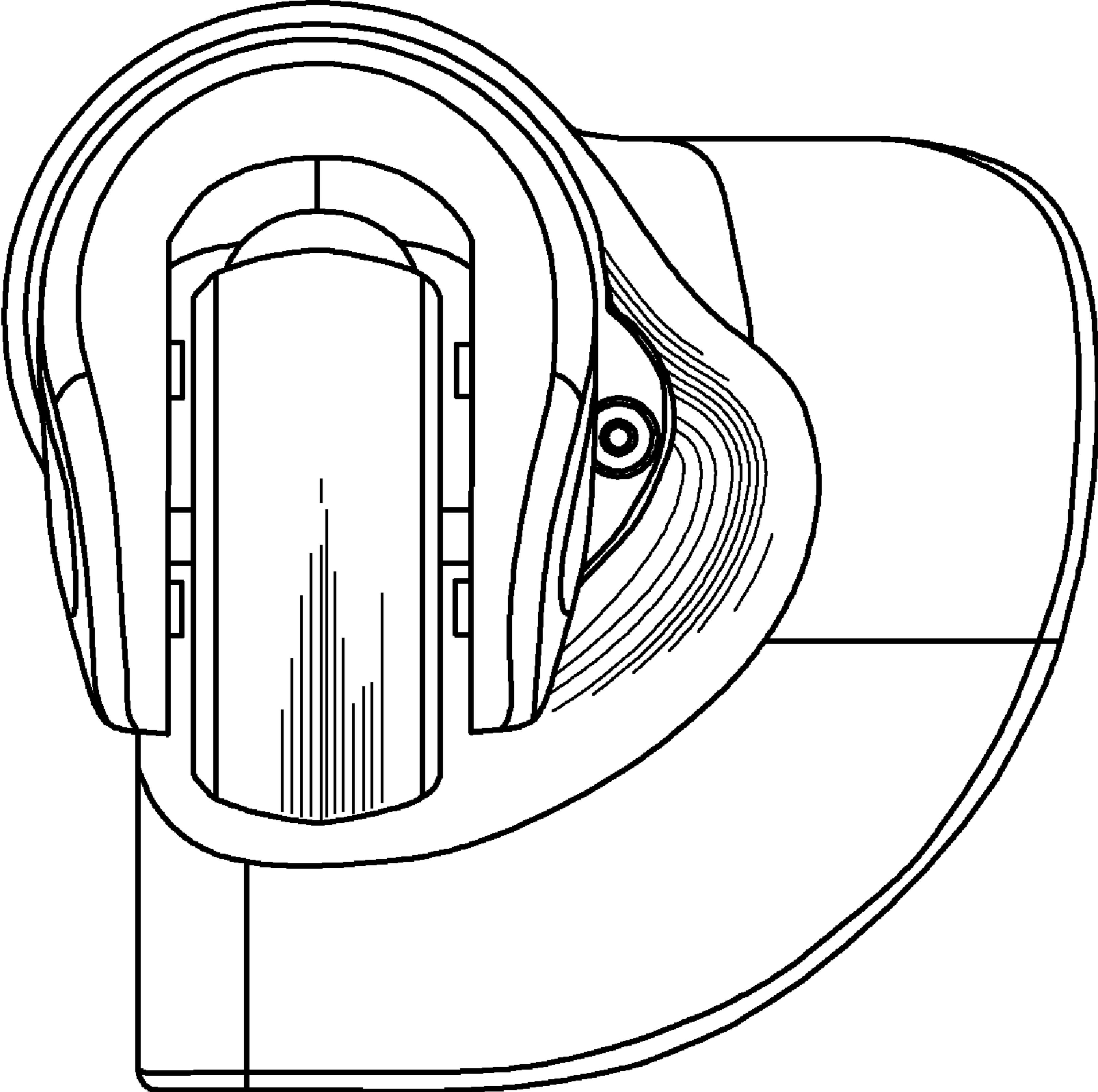


FIG. 7