

US00D633298S

(12) **United States Design Patent**  
**Tonelli**

(10) **Patent No.:** **US D633,298 S**  
(45) **Date of Patent:** **\*\* Mar. 1, 2011**

(54) **CLOSURE FOR SUITCASES, TRUNKS, BAGS AND THE LIKE**

D558,979 S \* 1/2008 Wu et al. .... D3/318

\* cited by examiner

(75) Inventor: **Massimo Tonelli**, Casalecchio Di Reno (IT)

*Primary Examiner*—Holly H Baynham

(74) *Attorney, Agent, or Firm*—Modiano & Associati; Albert Josif; Daniel J. O’Byrne

(73) Assignee: **G.T. Line - S.R.L.**, Crespellano (IT)

(\*\*) Term: **14 Years**

(57) **CLAIM**

(21) Appl. No.: **29/347,197**

The ornamental design for a closure for suitcases, trunks, bags and the like, as shown.

(22) Filed: **Oct. 22, 2009**

**DESCRIPTION**

(30) **Foreign Application Priority Data**

Sep. 16, 2009 (EM) ..... 001165062

FIG. 1 is a perspective view of a closure for suitcases, trunks, bags and the like showing my new design;

FIG. 2 is a front view thereof;

(51) **LOC (9) Cl.** ..... **03-01**

FIG. 3 is a rear view thereof;

(52) **U.S. Cl.** ..... **D3/318**

FIG. 4 is a left side view thereof;

(58) **Field of Classification Search** ..... D3/318,  
D3/324, 272, 284; 292/113, 128; 190/124  
See application file for complete search history.

FIG. 5 is a right side view thereof;

FIG. 6 is a top view thereof;

FIG. 7 is a bottom view thereof; and,

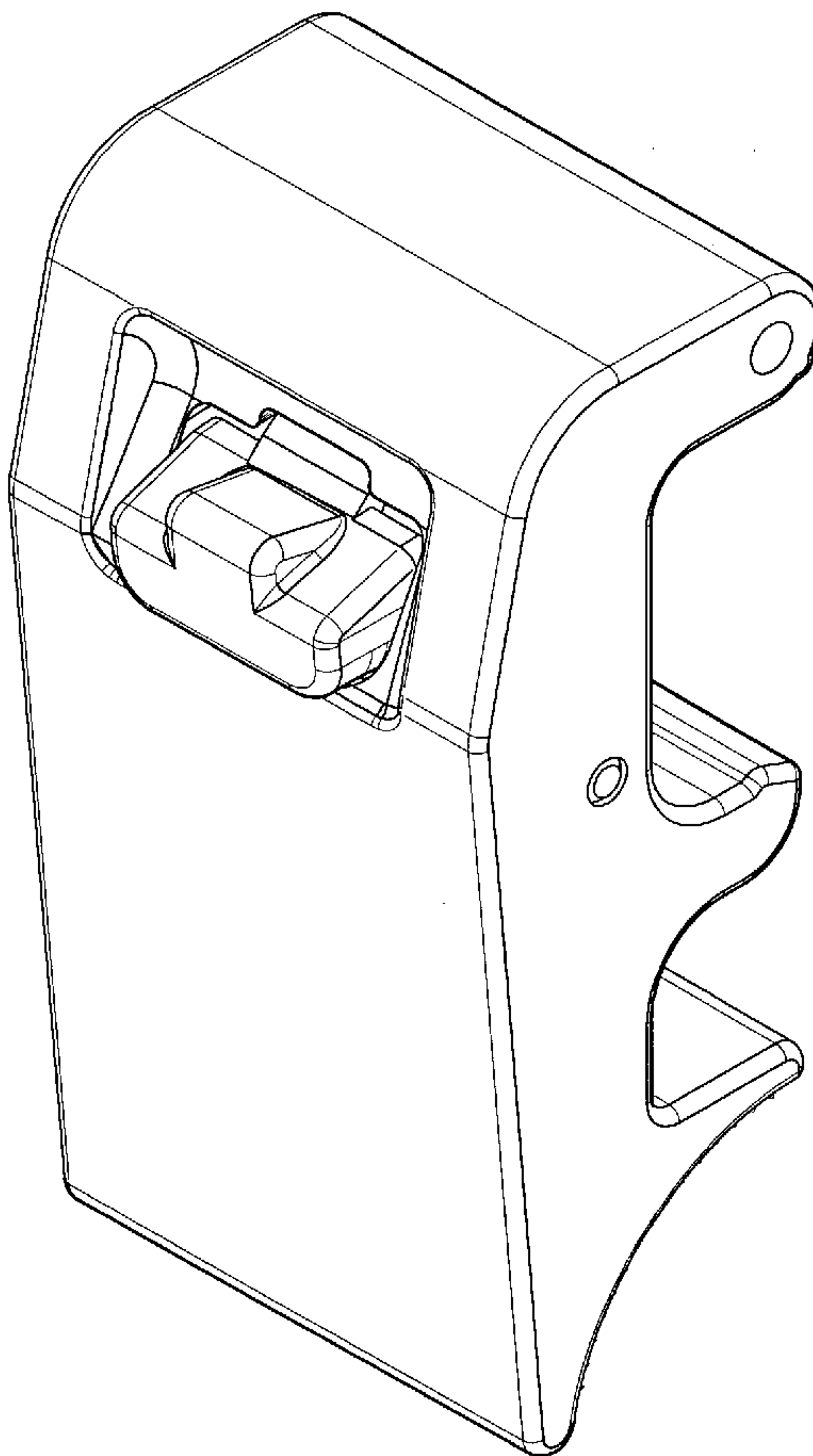
FIG. 8 is a top rear perspective view thereof.

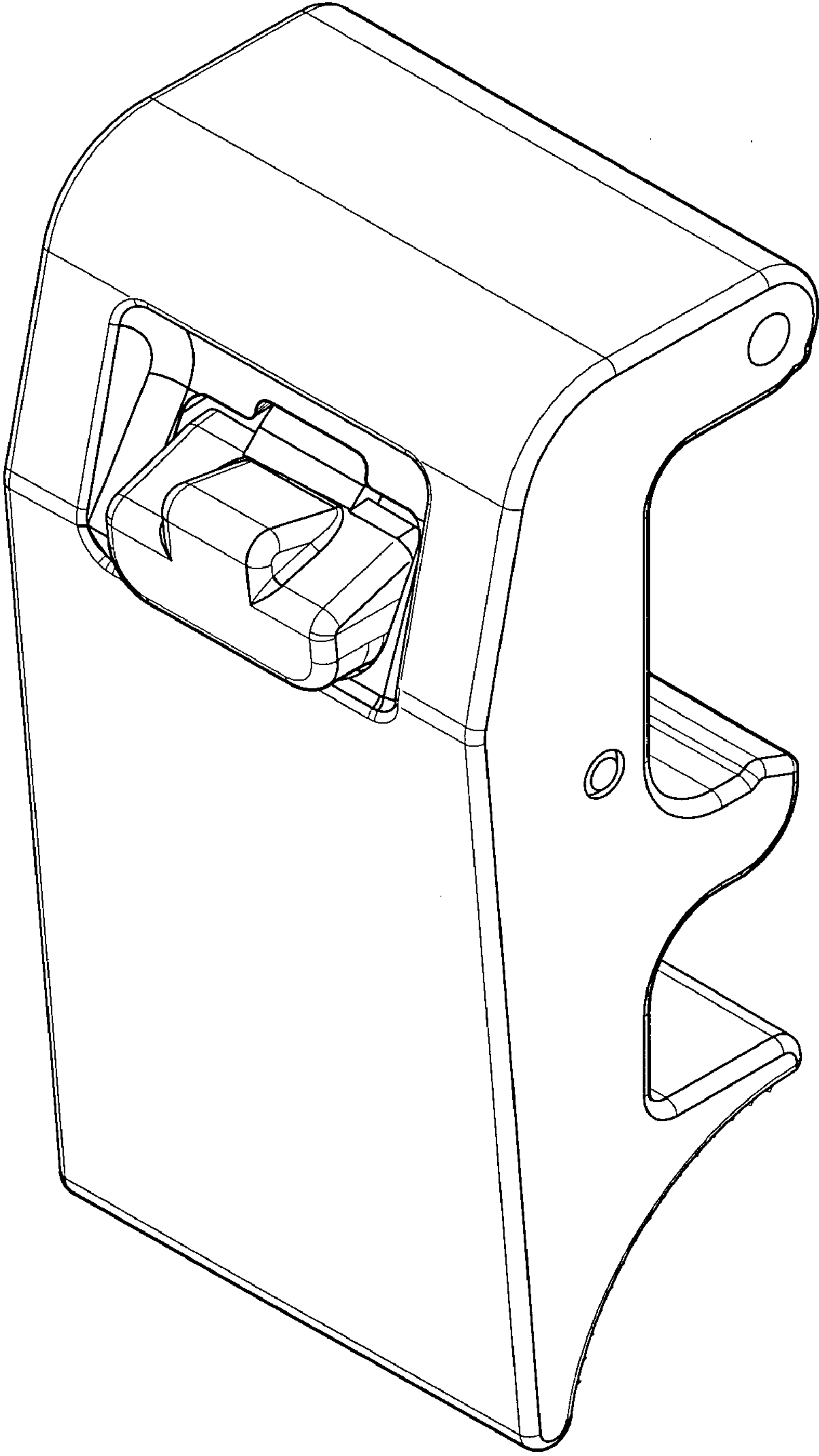
(56) **References Cited**

**U.S. PATENT DOCUMENTS**

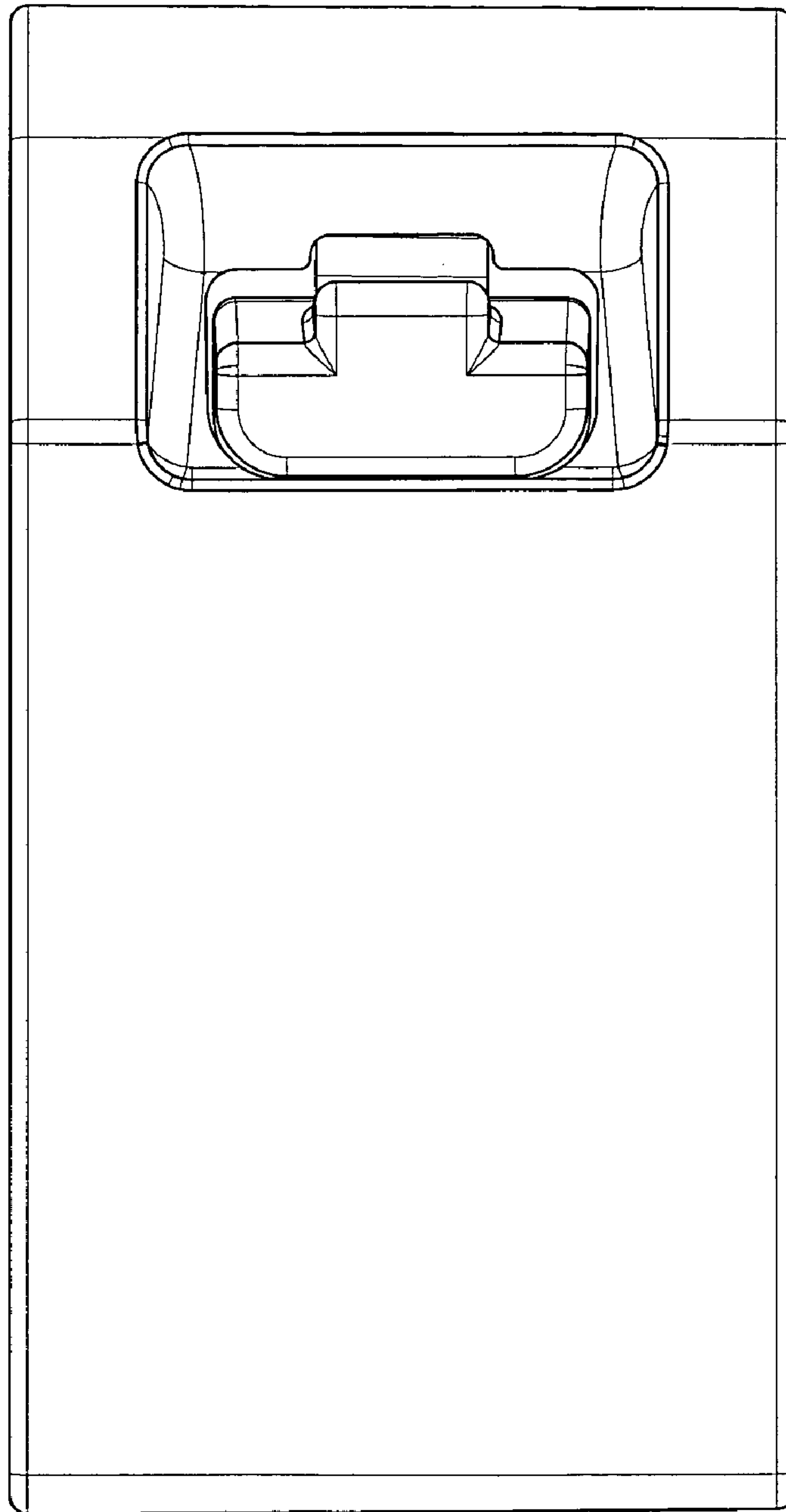
4,679,833 A \* 7/1987 Dueringer ..... 292/113

**1 Claim, 7 Drawing Sheets**

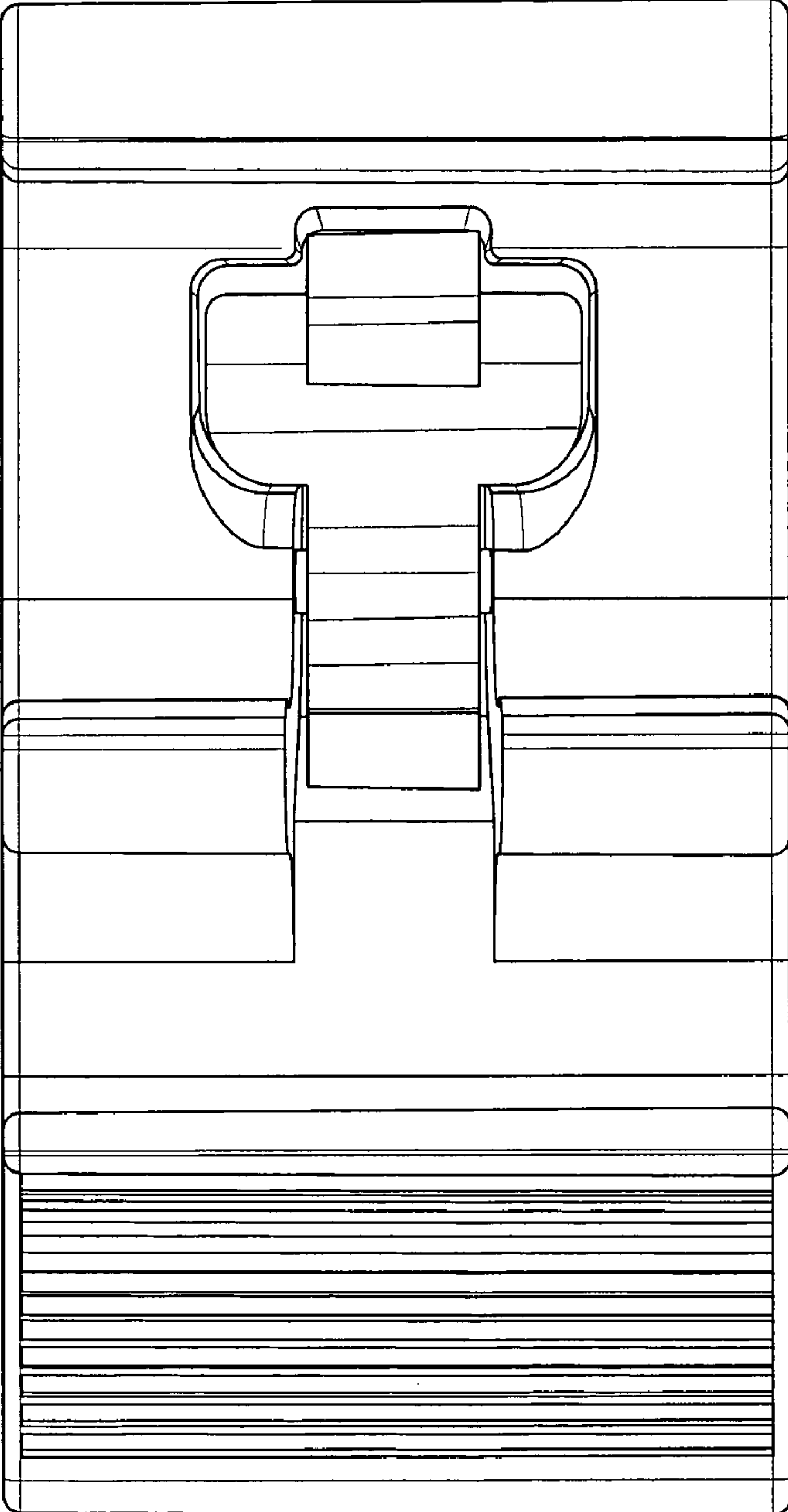




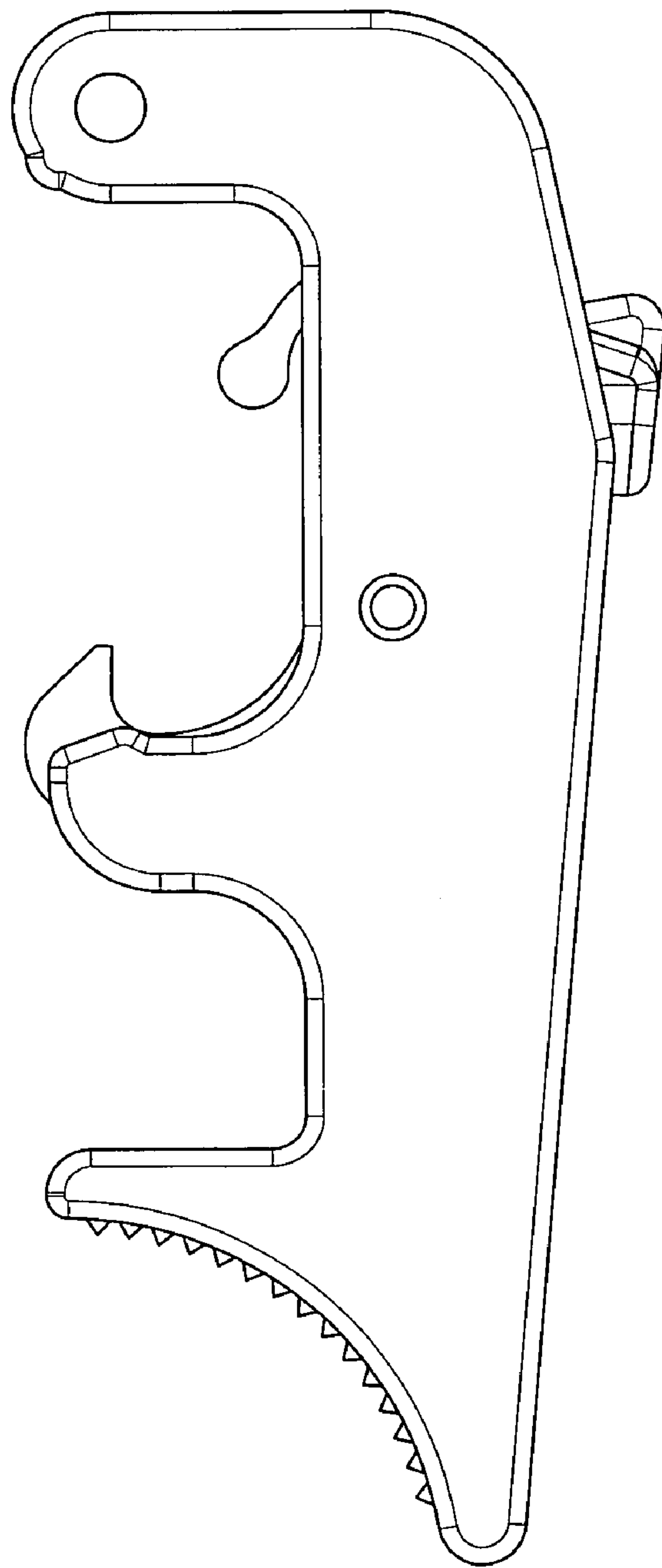
*Fig. 1*



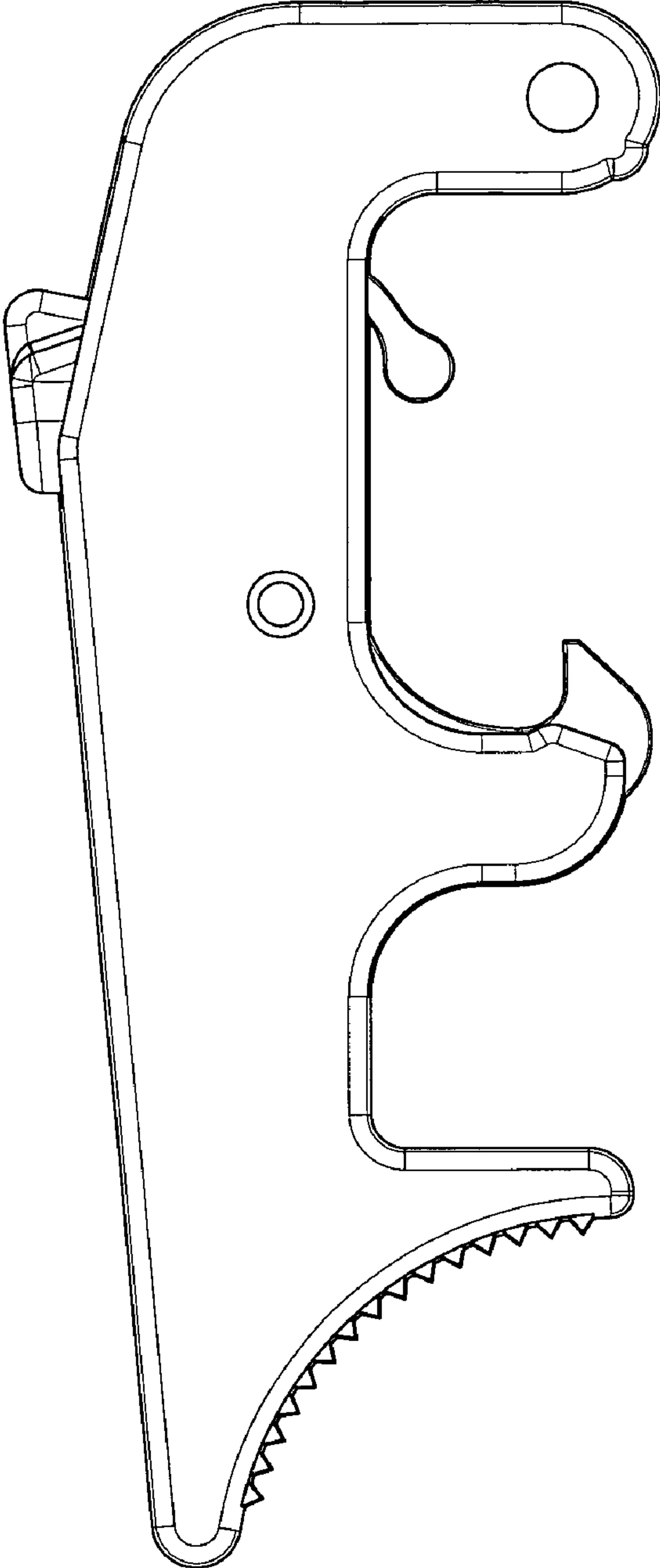
*Fig. 2*



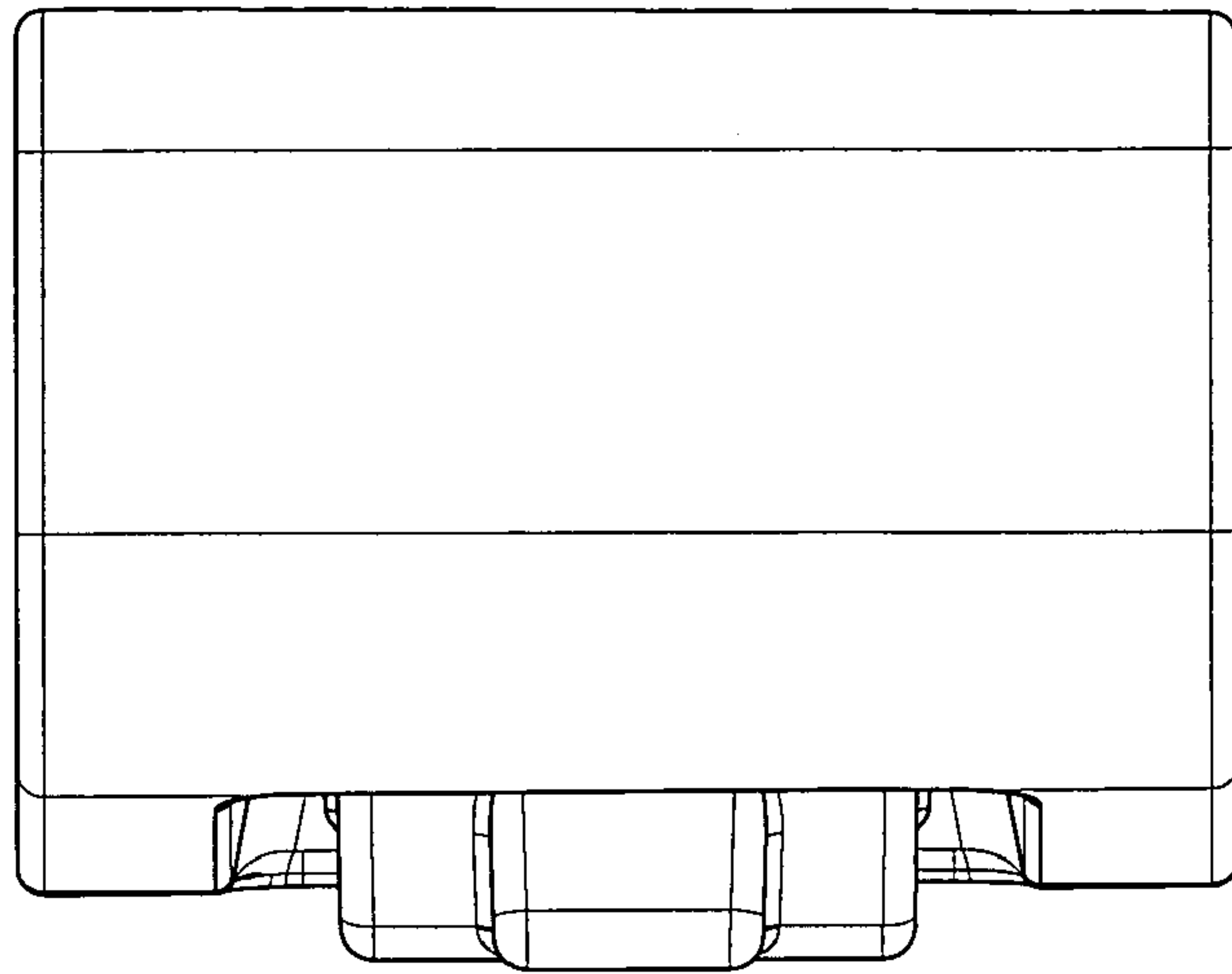
*Fig. 3*



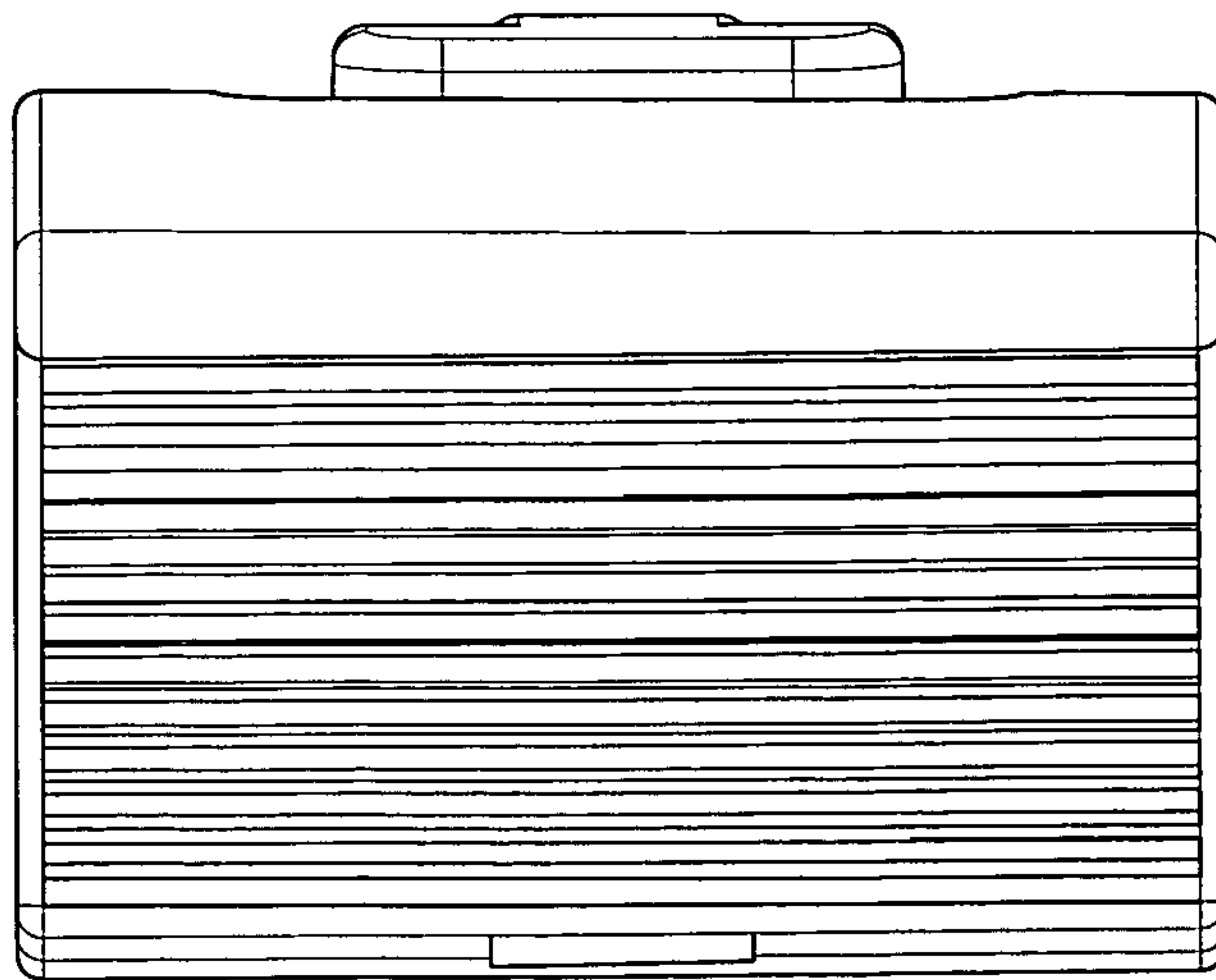
*Fig. 4*



*Fig. 5*

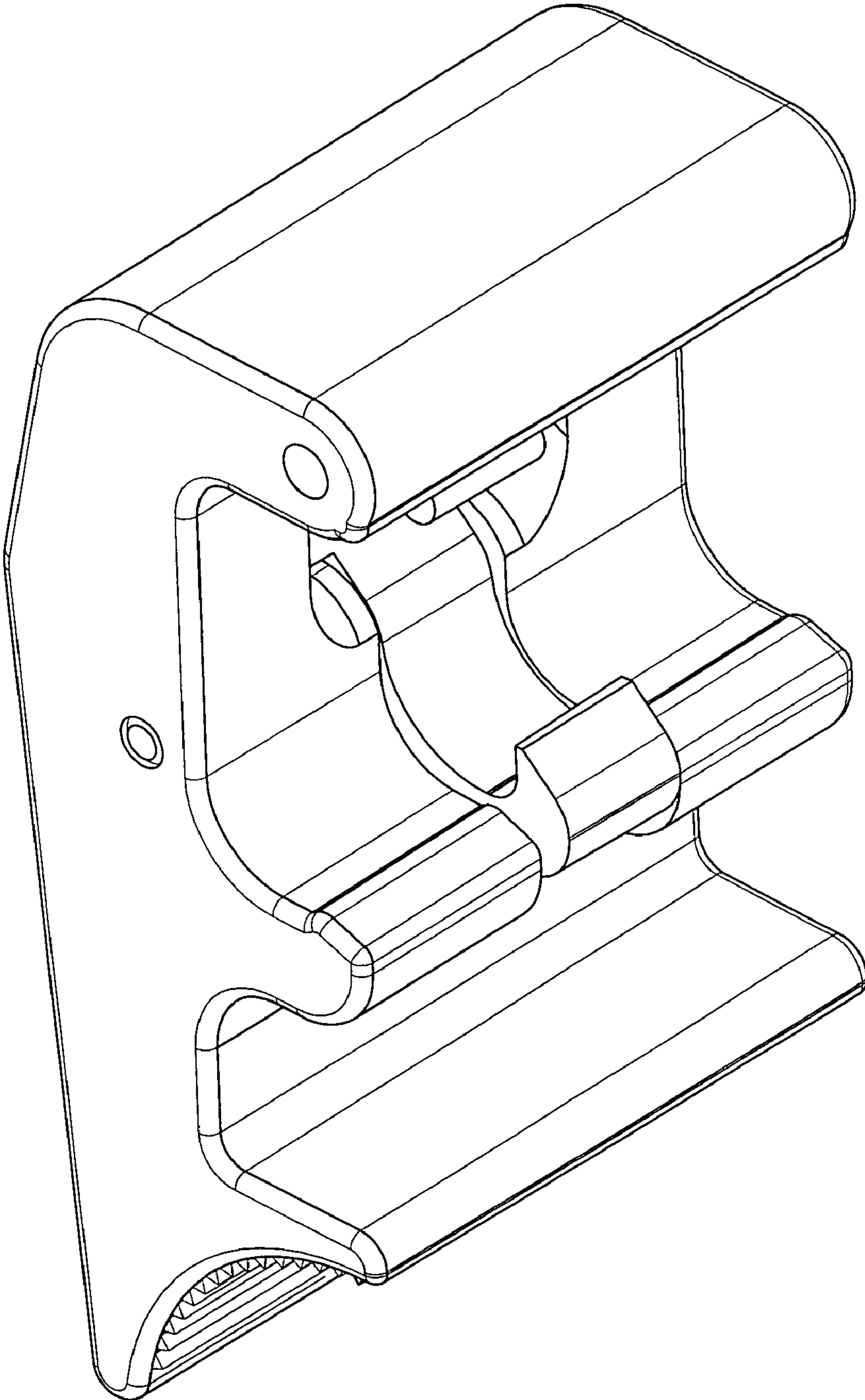


*Fig. 6*



*Fig. 7*





*Fig. 8*