



US00D633292S

(12) **United States Design Patent**
Anson et al.

(10) **Patent No.:** **US D633,292 S**

(45) **Date of Patent:** **** Mar. 1, 2011**

(54) **TABLET HOLDER**

(75) Inventors: **Ricky L. Anson**, Boise, ID (US);
Rebecca L. Anson, Boise, ID (US);
Shane Jimenez, Boise, ID (US)

(73) Assignee: **Nutra-Life, Inc.**, Boise, ID (US)

(**) Term: **14 Years**

(21) Appl. No.: **29/335,776**

(22) Filed: **Apr. 21, 2009**

(51) **LOC (9) Cl.** **03-01**

(52) **U.S. Cl.** **D3/203.3**

(58) **Field of Classification Search** D3/201-205;
D9/500, 503-504, 516, 519, 523, 549, 558;
206/530-538; 215/6; D26/117
See application file for complete search history.

(56) **References Cited**

U.S. PATENT DOCUMENTS

D317,059 S *	5/1991	Menter	D26/117
D318,614 S *	7/1991	Sheridan	D9/519
D420,462 S *	2/2000	Menter	D26/117
D446,728 S *	8/2001	Bakic	D9/558
D600,441 S *	9/2009	Estrada	D3/203.3

* cited by examiner

Primary Examiner—Catherine R Oliver
(74) *Attorney, Agent, or Firm*—Davis Wright Tremaine LLP;
George C. Rondeau, Jr.

(57) **CLAIM**

The ornamental design for a tablet holder, as shown and described.

DESCRIPTION

FIG. 1 is a top front perspective view of a tablet holder showing our new design.

FIG. 2 is a front elevational view thereof, the rear, left side and right side elevational views being identical.

FIG. 3 is a top plan view thereof.

FIG. 4 is a bottom plan view thereof.

FIG. 5 is a top front perspective view of a second embodiment thereof.

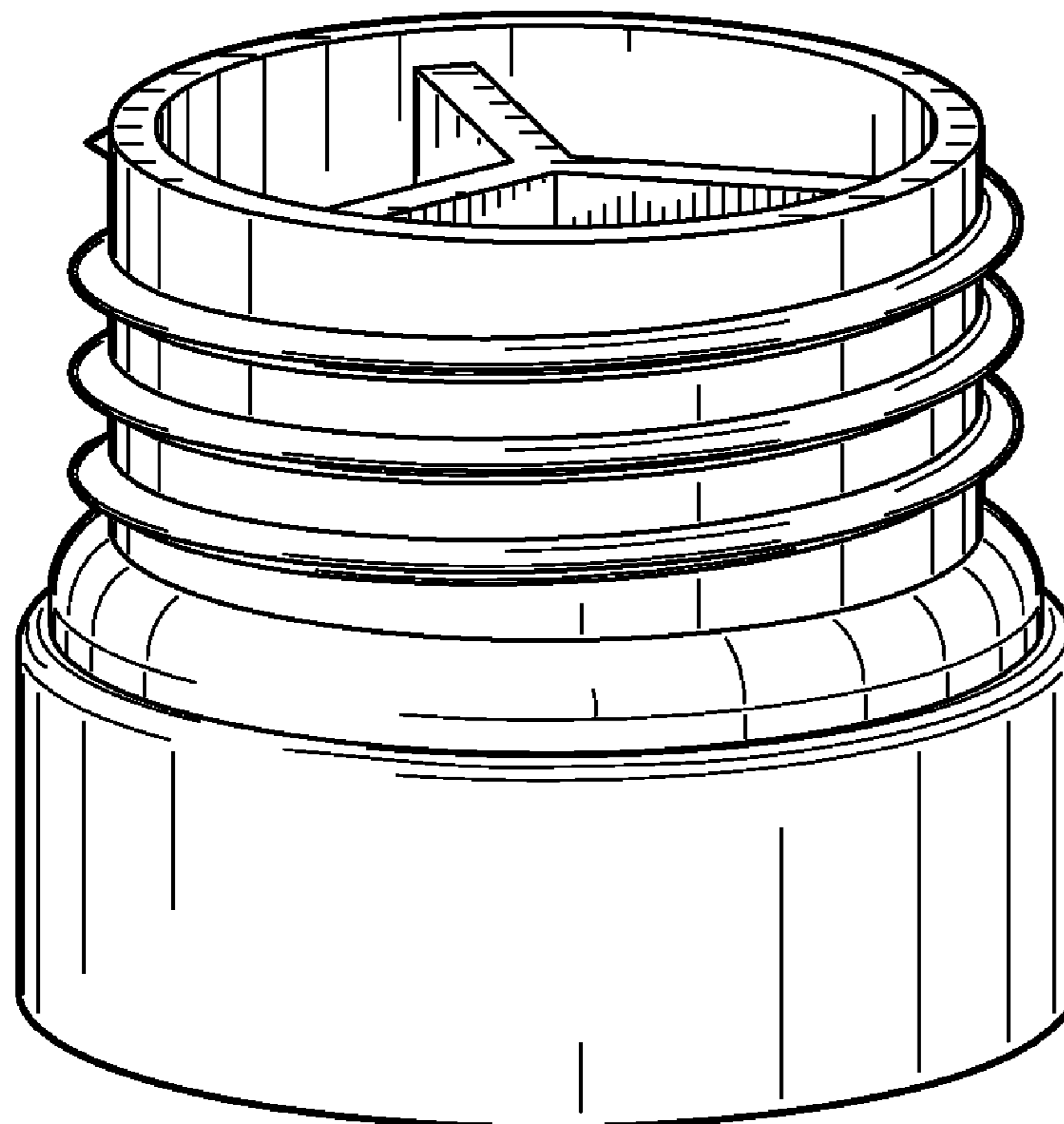
FIG. 6 is a front elevational view thereof, the rear, left side and right side elevational views being identical.

FIG. 7 is a top plan view thereof; and,

FIG. 8 is a bottom plan view thereof.

The broken lines represent portions of the tablet holder that form no part of the claim.

1 Claim, 4 Drawing Sheets



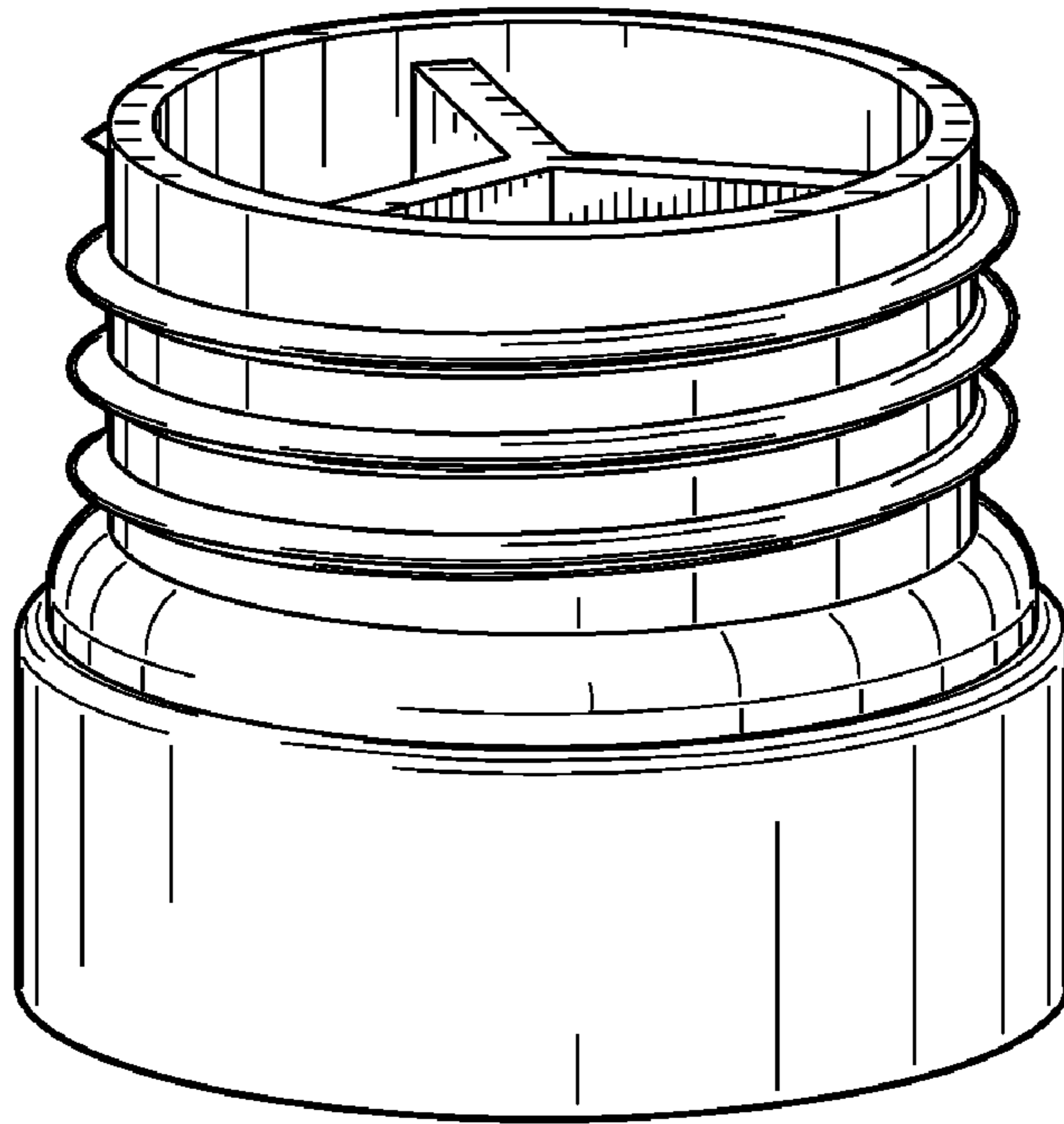


FIG.1

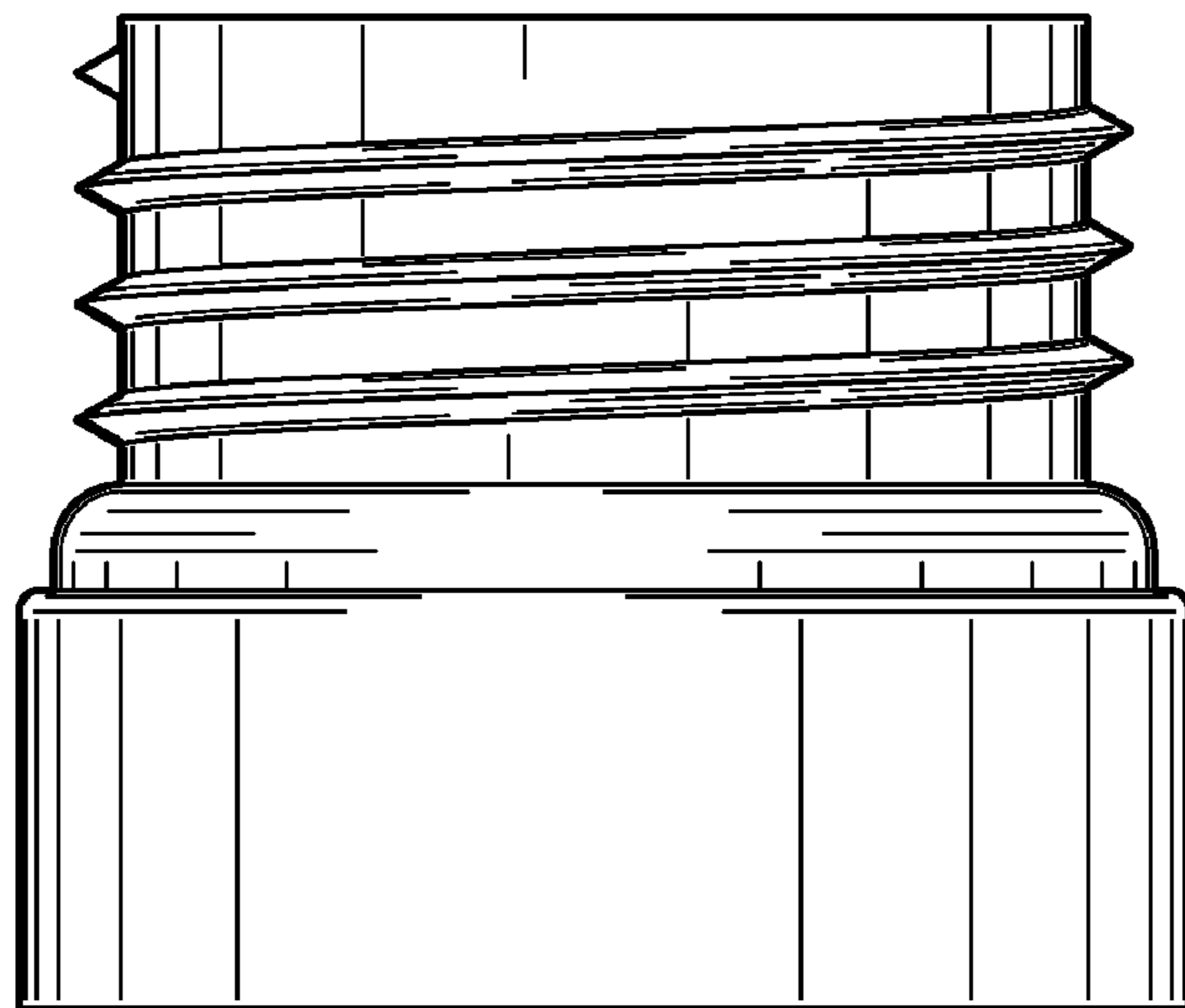


FIG.2

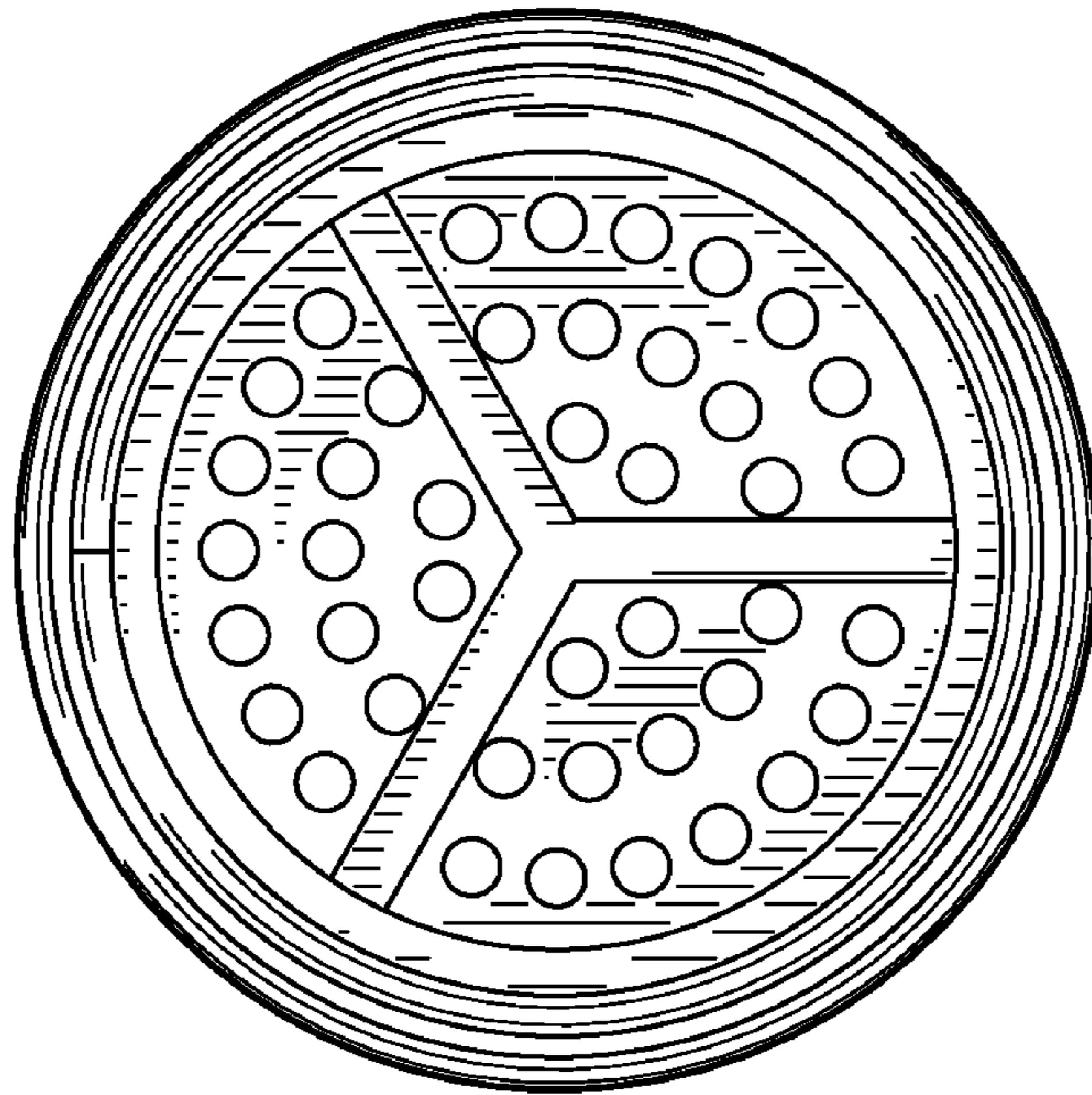


FIG. 3

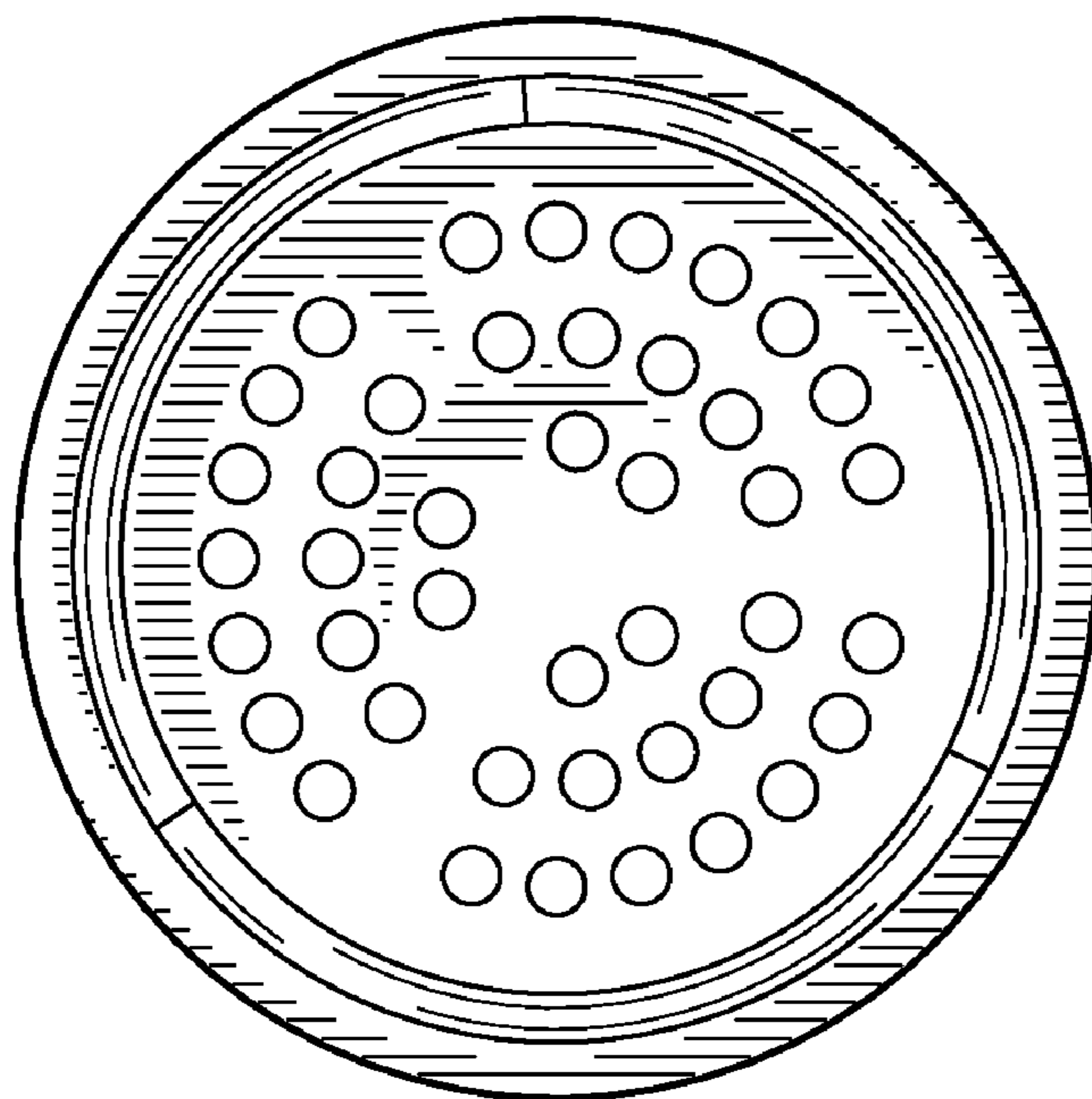


FIG. 4

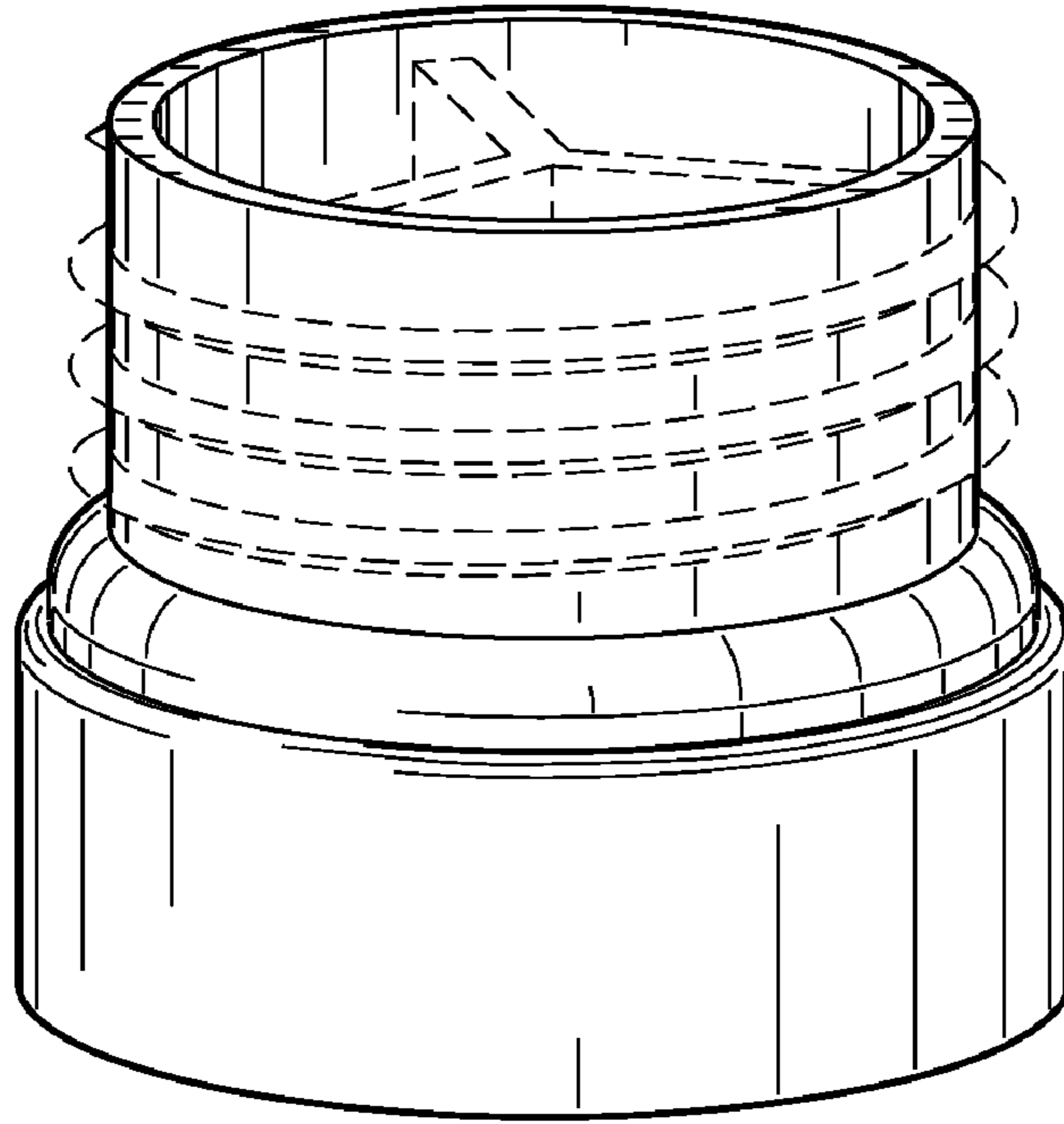


FIG. 5

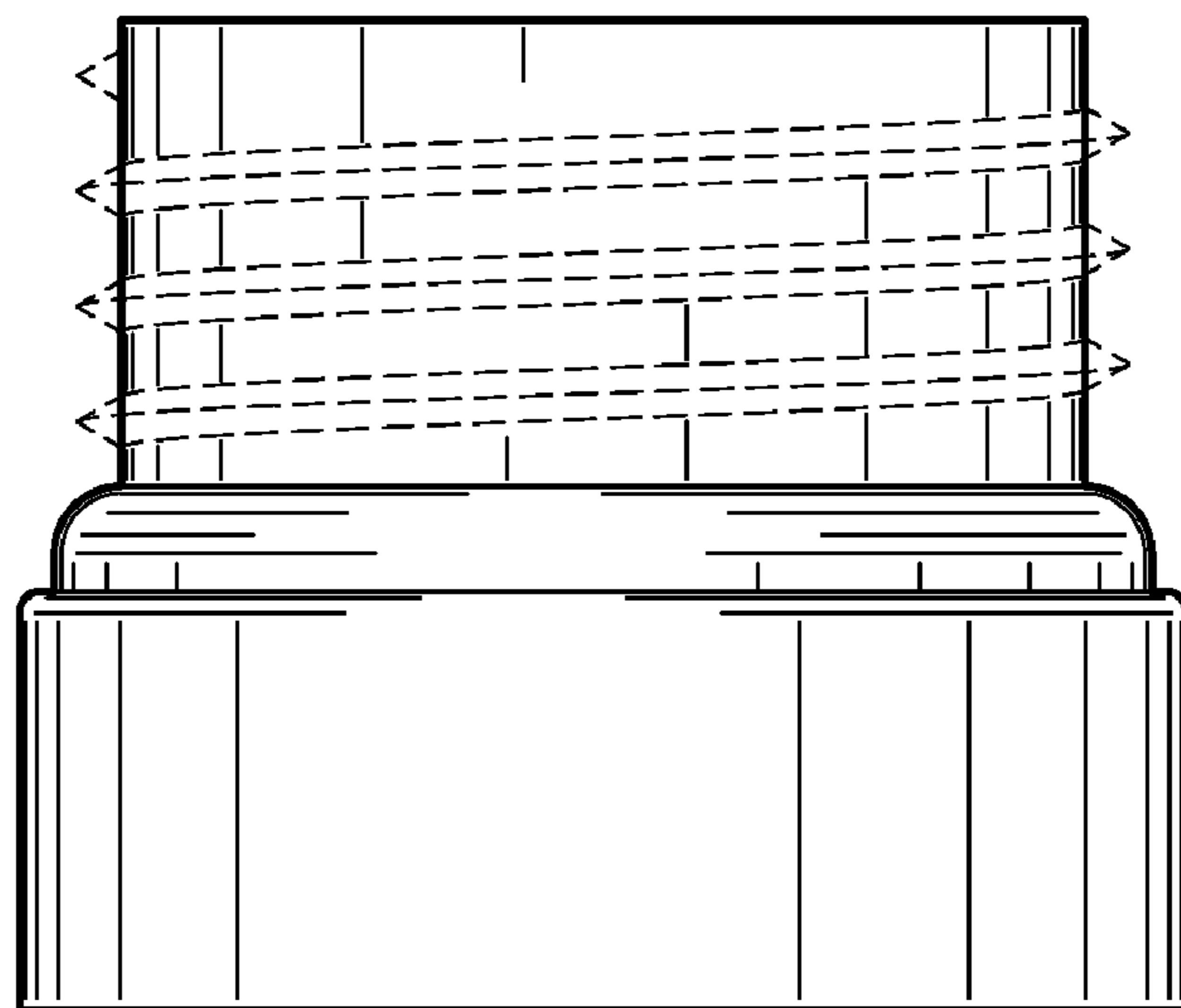


FIG. 6

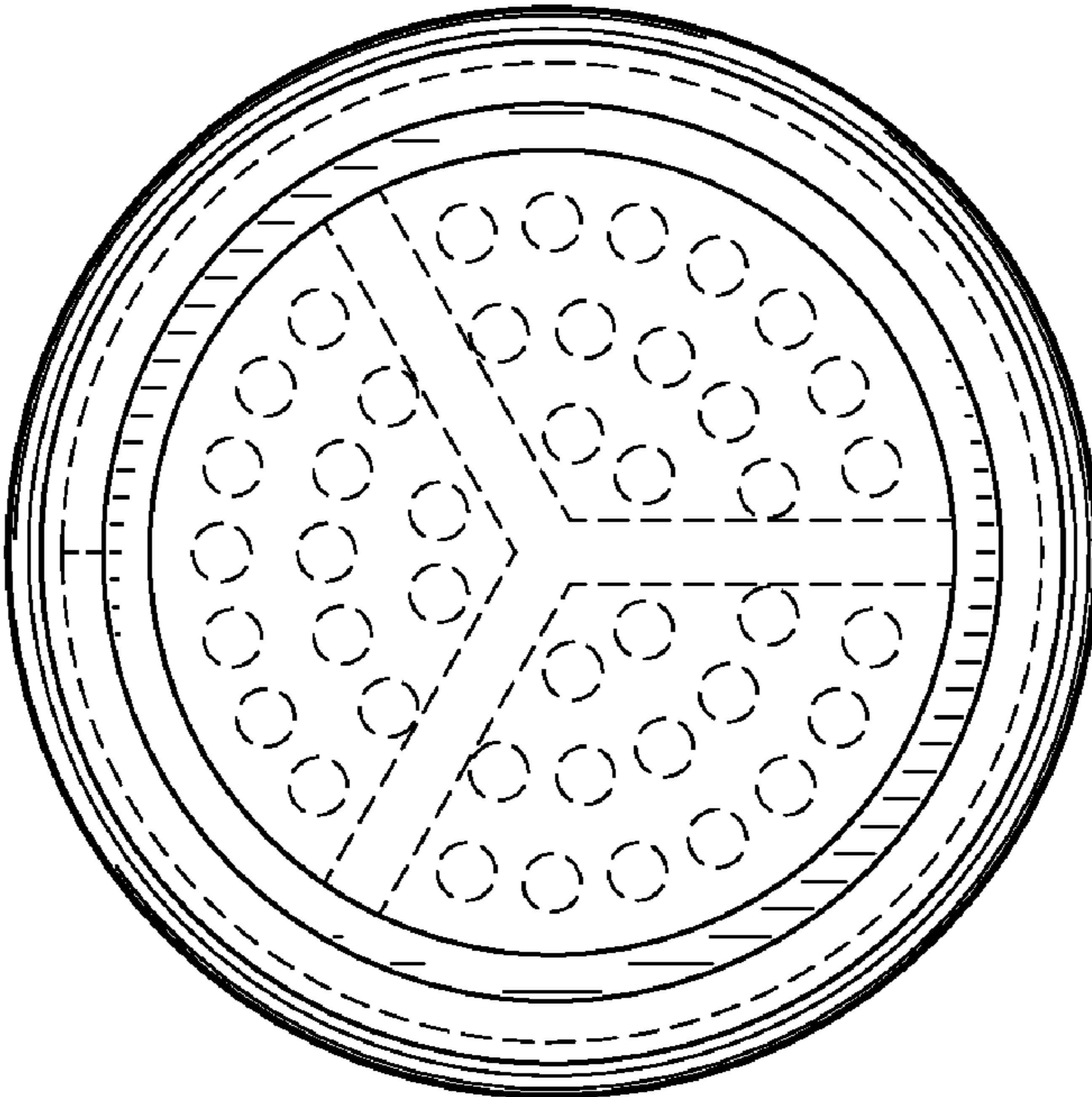


FIG. 7

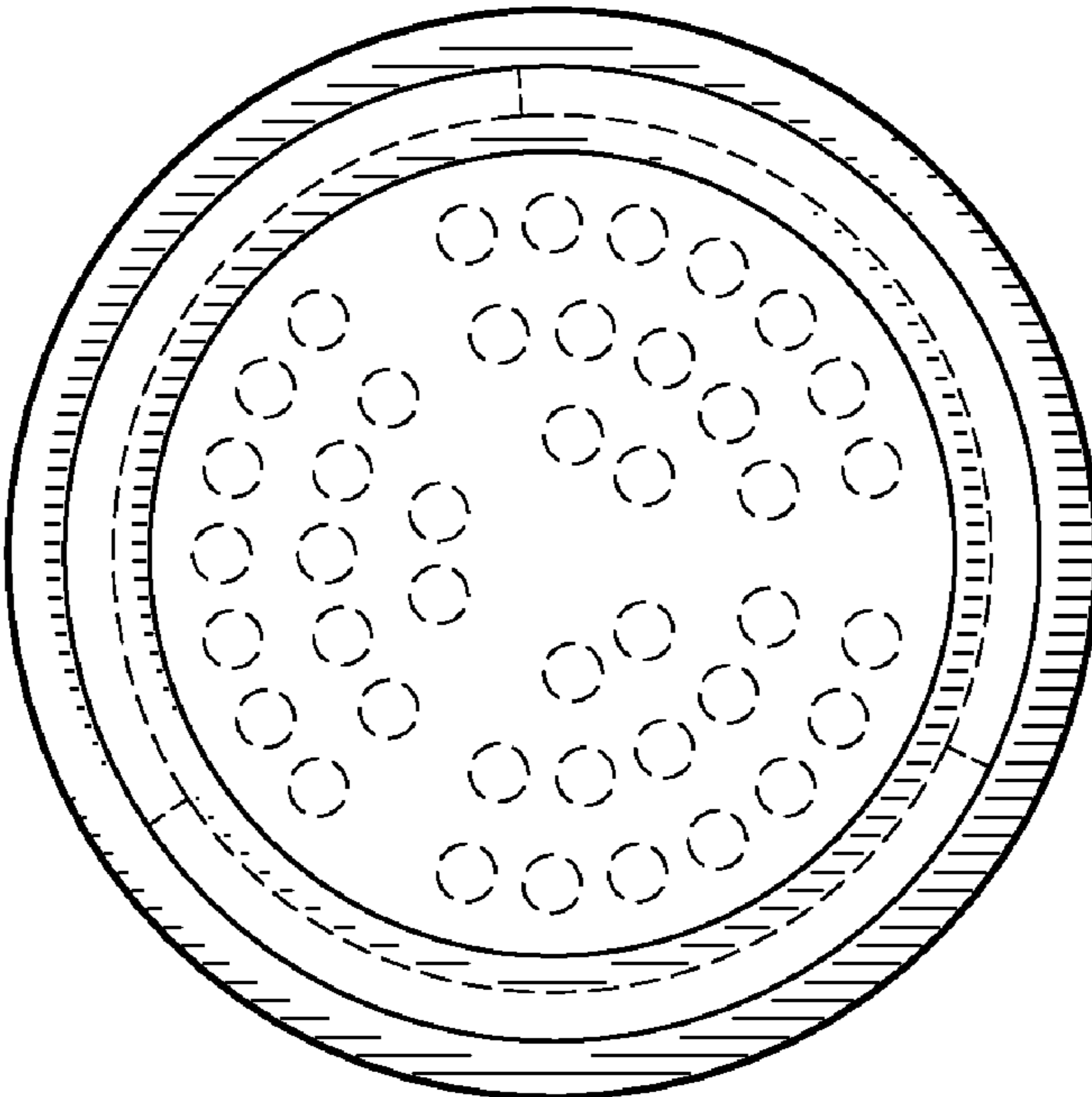


FIG. 8