



US00D633288S

(12) **United States Design Patent**  
**Shin**

(10) **Patent No.:** **US D633,288 S**  
(45) **Date of Patent:** **\*\* Mar. 1, 2011**

(54) **PORTION OF A SHOE**

(75) Inventor: **Hyun A. Shin**, Philadelphia, PA (US)

(73) Assignee: **Vida Shoes International, Inc.**, New York, NY (US)

(\*\*) Term: **14 Years**

(21) Appl. No.: **29/358,972**

(22) Filed: **Apr. 2, 2010**

(51) **LOC (9) Cl.** ..... **02-99**

(52) **U.S. Cl.** ..... **D2/965**

(58) **Field of Classification Search** ..... D2/915,  
D2/925-942, 946, 959, 964-966; 36/34 R-34 B,  
36/105

See application file for complete search history.

(56) **References Cited**

**U.S. PATENT DOCUMENTS**

D109,427 S *	4/1938	Schwartz	.....	D2/965
D112,267 S *	11/1938	Court	.....	D2/965
D116,939 S *	10/1939	Stafford	.....	D2/965
D398,145 S *	9/1998	Ganon	.....	D2/961

D446,914 S *	8/2001	Cockrell	.....	D2/959
D453,612 S *	2/2002	White	.....	D2/949
D553,335 S *	10/2007	Amado et al.	.....	D2/956
D611,687 S *	3/2010	Mackall	.....	D2/946

\* cited by examiner

*Primary Examiner*—Dominic Simone

(74) *Attorney, Agent, or Firm*—Kane Kessler, P.C.; Paul E. Szabo

(57) **CLAIM**

The ornamental design for a portion of a shoe, as shown.

**DESCRIPTION**

FIG. 1 is an outside elevational view of a shoe portion showing my new design;

FIG. 2 is an inside elevational view thereof;

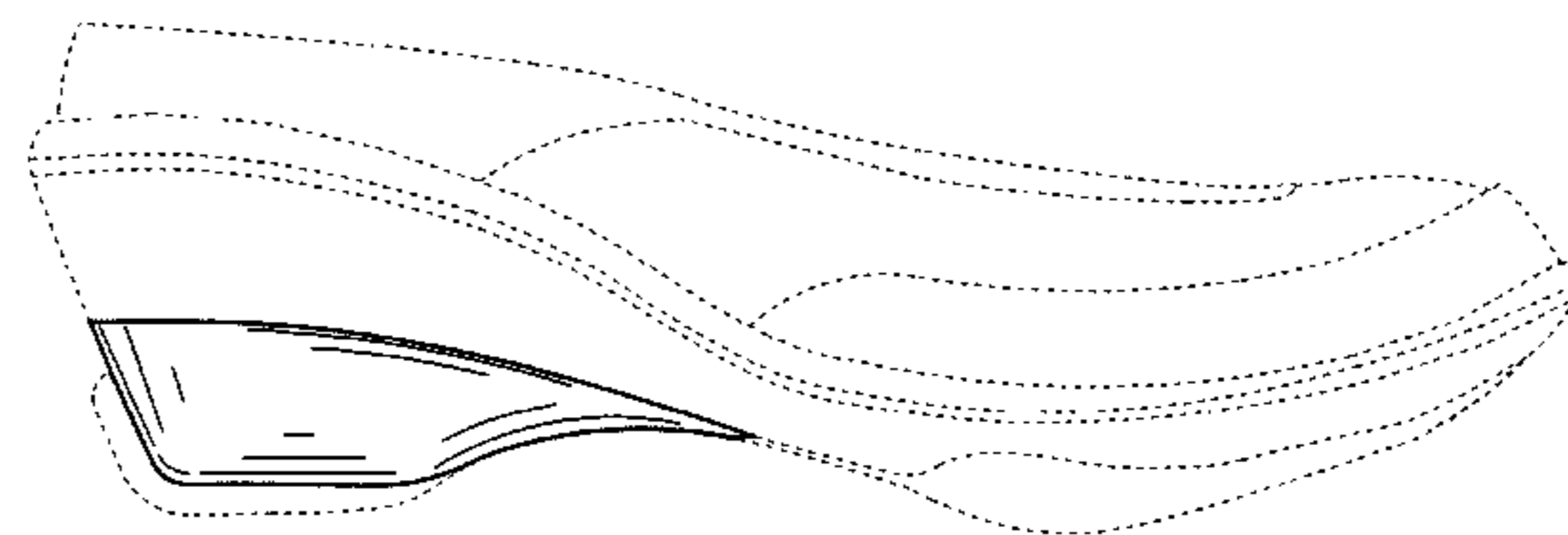
FIG. 3 is a bottom plan view thereof;

FIG. 4 is a back elevational view thereof; and,

FIG. 5 is a top plan view thereof.

The shoe shown in broken lines is for illustrative purposes only and forms no part of the claimed design.

**1 Claim, 3 Drawing Sheets**



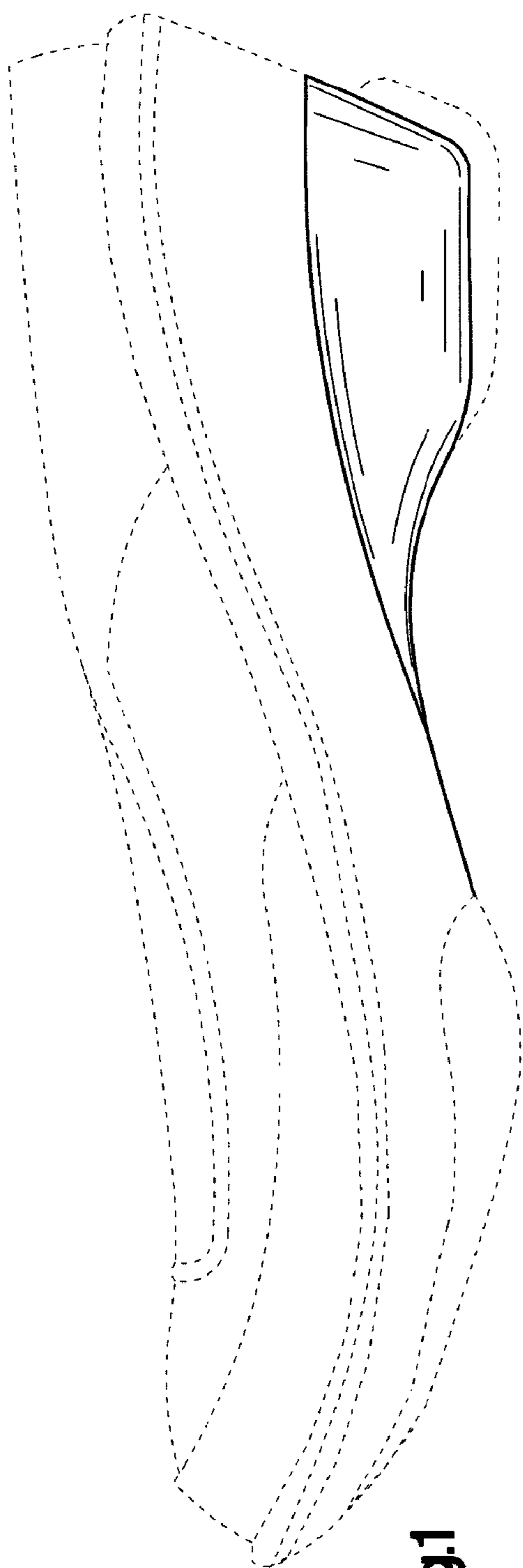


Fig.1

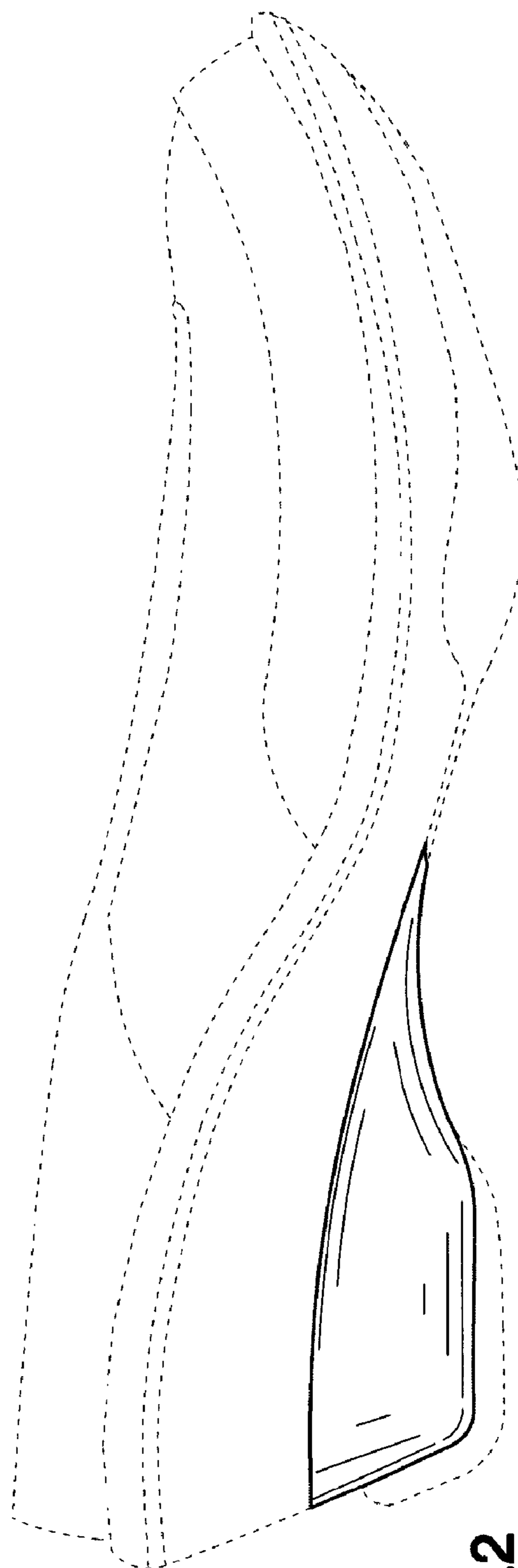


Fig.2

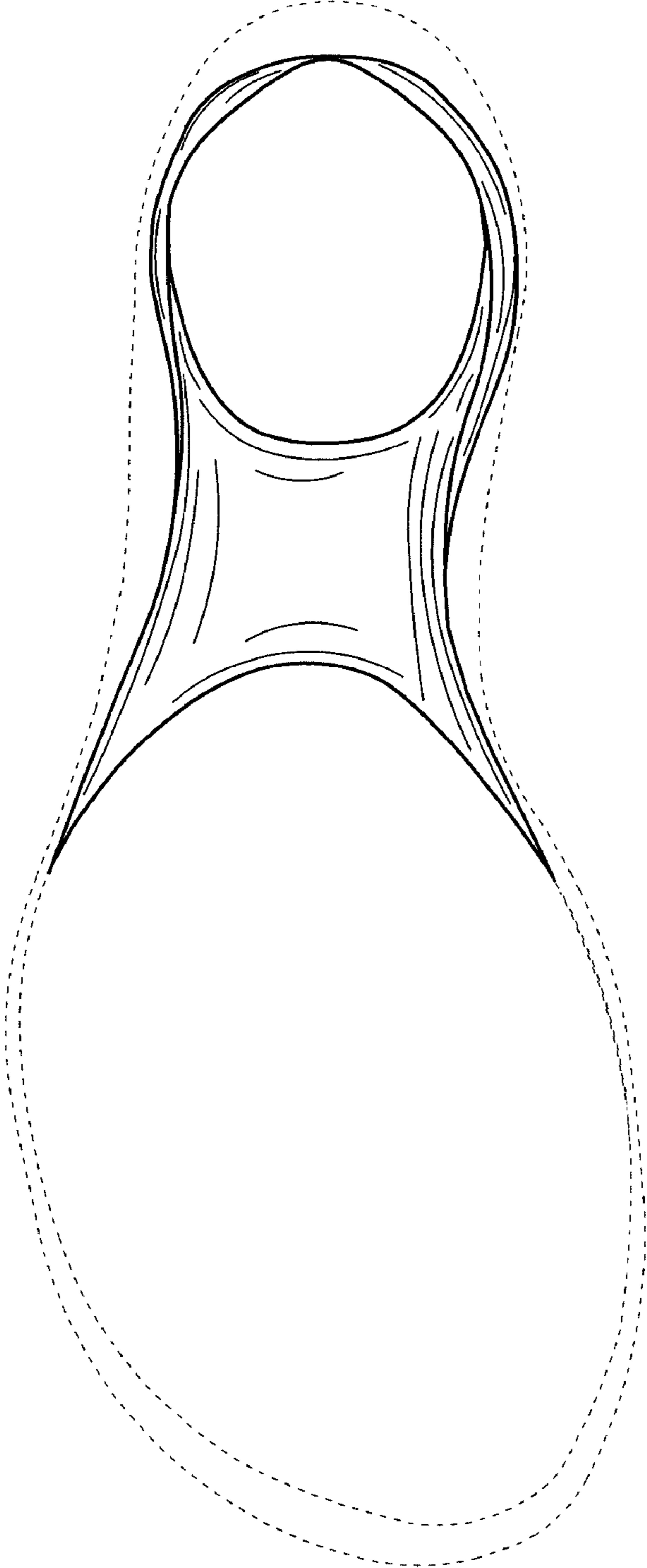


Fig.3

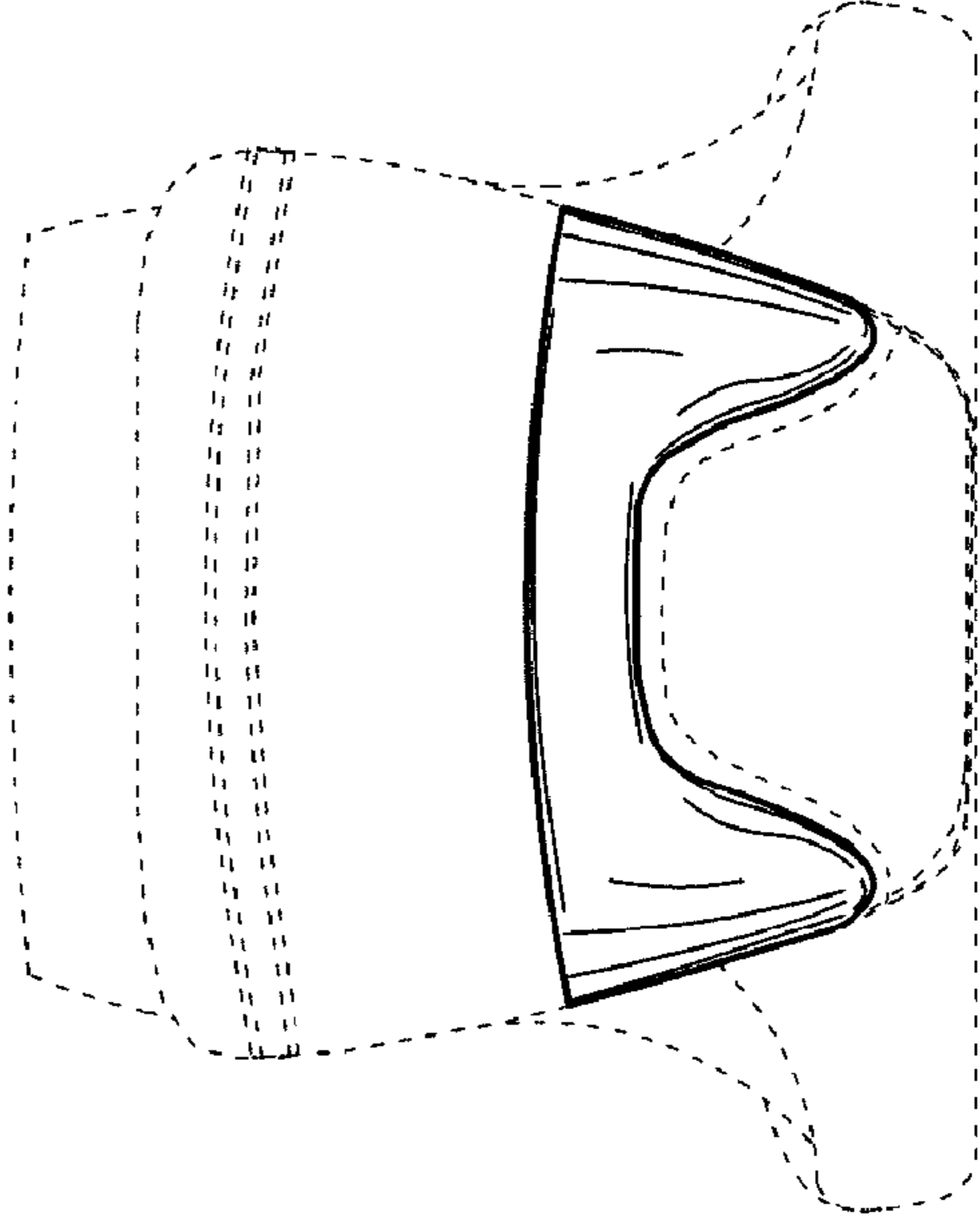
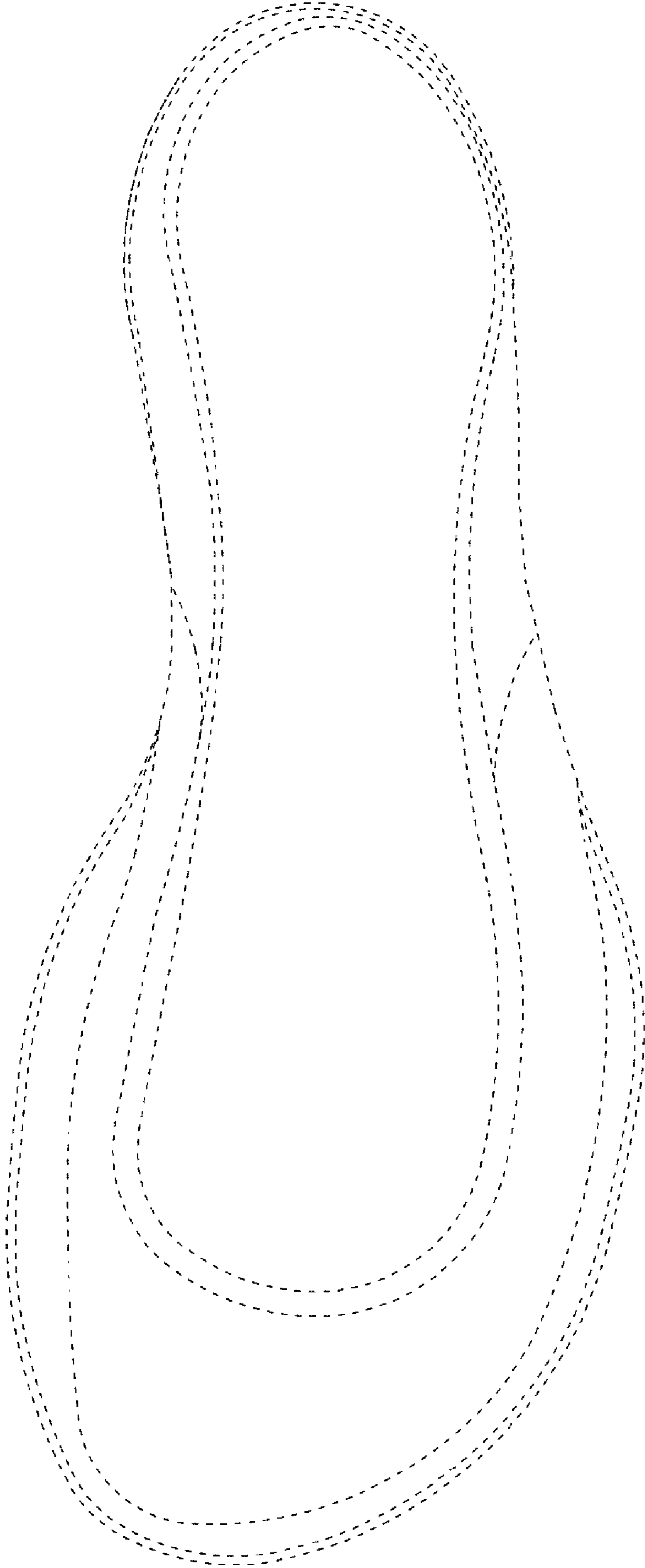


Fig.4



**Fig.5**