

US00D633275S

(12) **United States Design Patent**
Baker

(10) **Patent No.:** **US D633,275 S**

(45) **Date of Patent:** **** Feb. 22, 2011**

(54) **CAN SHAPED AUTOMATED TELLER MACHINE**

(75) Inventor: **Dennis Baker**, Medina, OH (US)

(73) Assignee: **Custom ATM, LLC**, Medina, OH (US)

(**) Term: **14 Years**

(21) Appl. No.: **29/344,332**

(22) Filed: **Sep. 28, 2009**

(51) **LOC (9) Cl.** **20-01**

(52) **U.S. Cl.** **D99/28**

(58) **Field of Classification Search** D99/28,
D99/35, 43, 99; D18/3.1, 3.3, 12.1; D20/1,
D20/2; D14/125, 129-130, 308, 387, 900;
D25/7, 10, 16; D21/329, 369, 370; 109/2,
109/7, 9, 24.1, 28, 38-39, 45, 47-50, 54,
109/59 R, 66, 70; 235/379; 220/258.2, 258.5,
220/729; D6/397, 450, 457, 470, 510; D3/272-273,
D3/294

See application file for complete search history.

(56) **References Cited**

U.S. PATENT DOCUMENTS

D530,685 S * 10/2006 Dupuis D14/125
D545,451 S * 6/2007 Urbanek D25/16
D569,009 S * 5/2008 Hallberg D25/16

D622,025 S * 8/2010 Baker D99/28

* cited by examiner

Primary Examiner—Lisa P Lichtenstein

(74) *Attorney, Agent, or Firm*—Emerson Thomson Bennett;
Roger D. Emerson, Esq.; Timothy D. Bennett, Esq.

(57) **CLAIM**

The ornamental design for a can shaped automated teller machine, as shown and described.

DESCRIPTION

FIG. 1 is a perspective view of a can shaped automated teller machine according to this invention;

FIG. 2 is a reduced front view of the automated teller machine shown in FIG. 1;

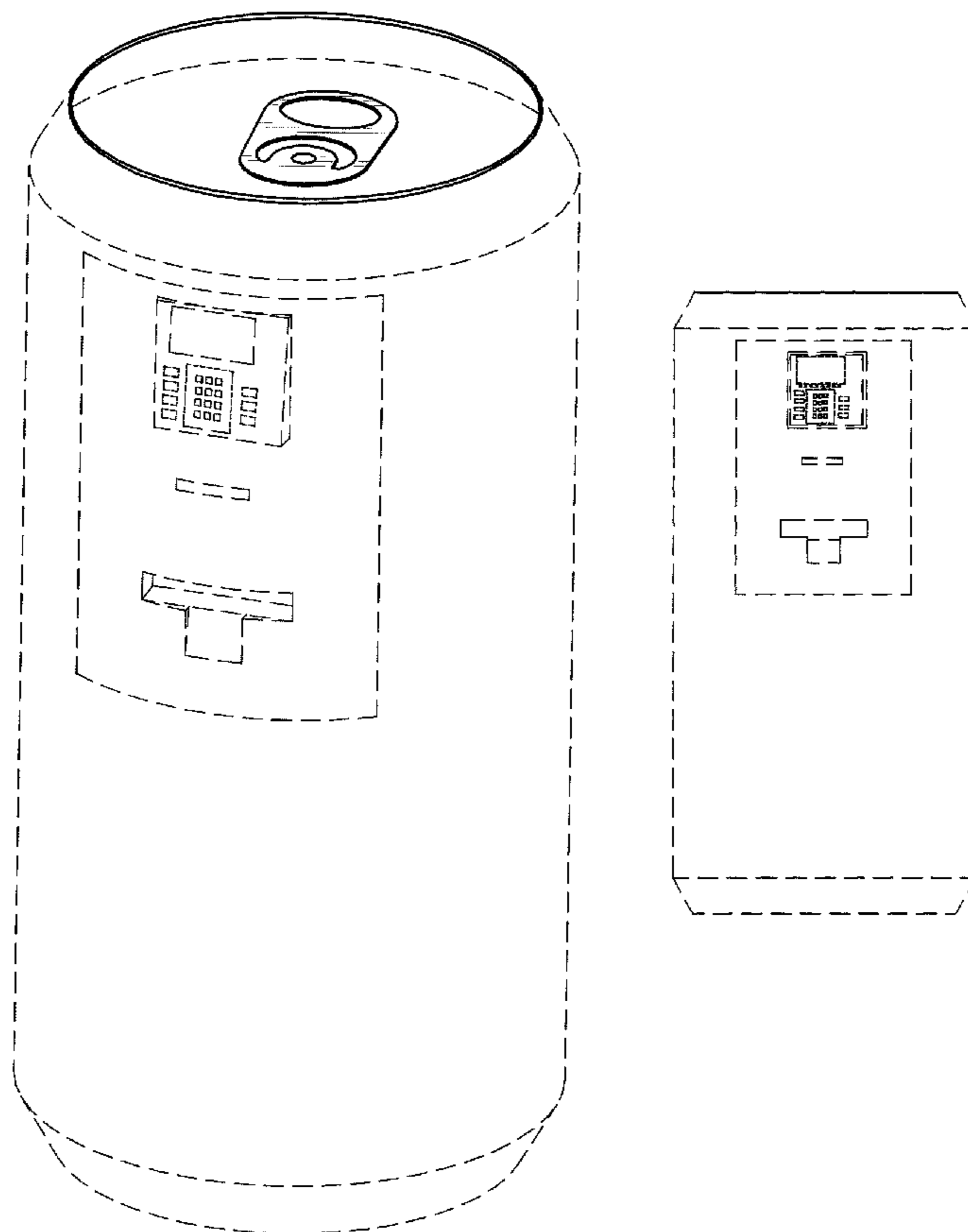
FIG. 3 is a reduced top view of the automated teller machine shown in FIG. 1;

FIG. 4 is a reduced rear view of the automated teller machine shown in FIG. 1; and,

FIG. 5 is a reduced bottom view of the automated teller machine shown in FIG. 1.

The broken lines illustrate the environment in which the article embodying the design is used and form no part of the claimed design or of a specified embodiment thereof.

1 Claim, 2 Drawing Sheets



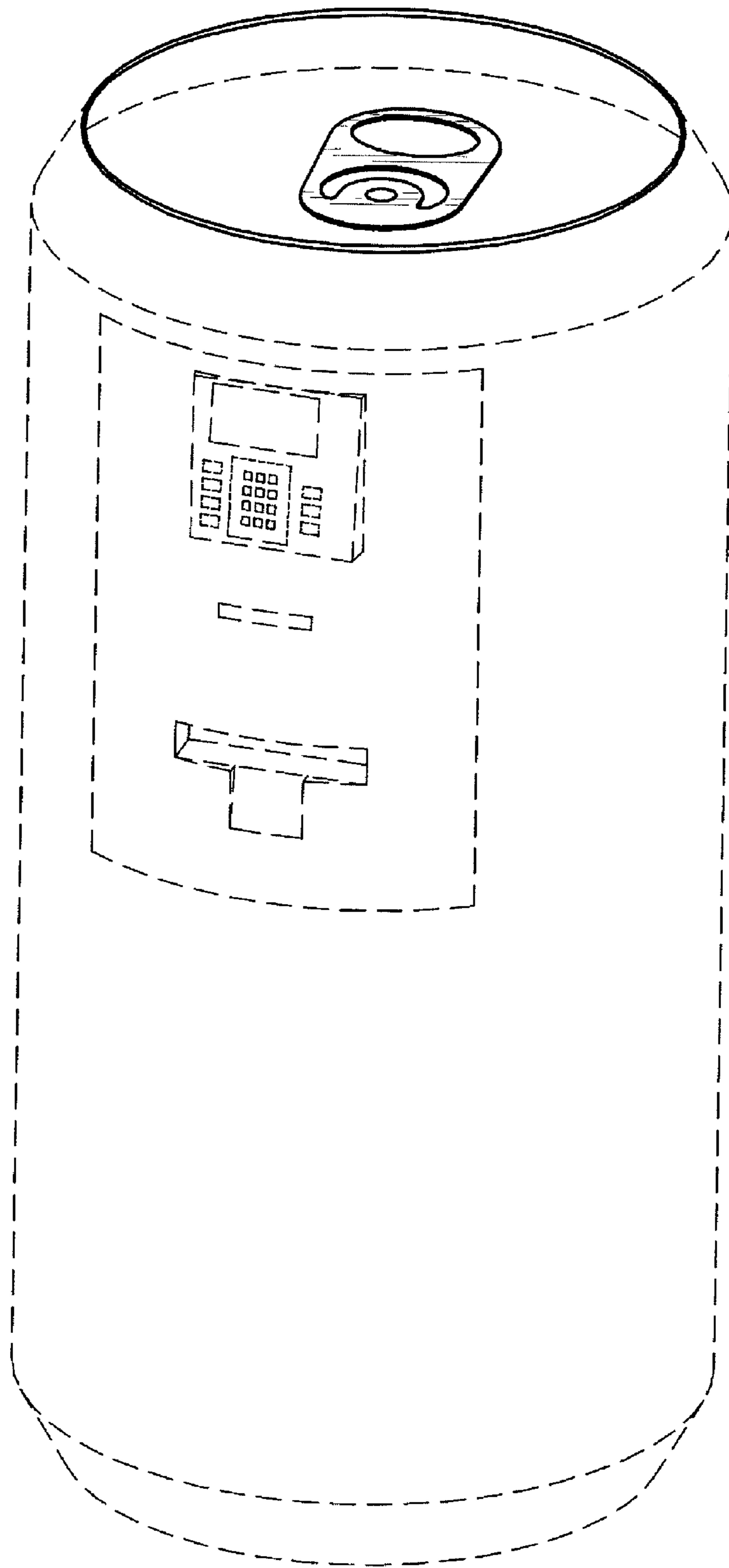


FIG.-1

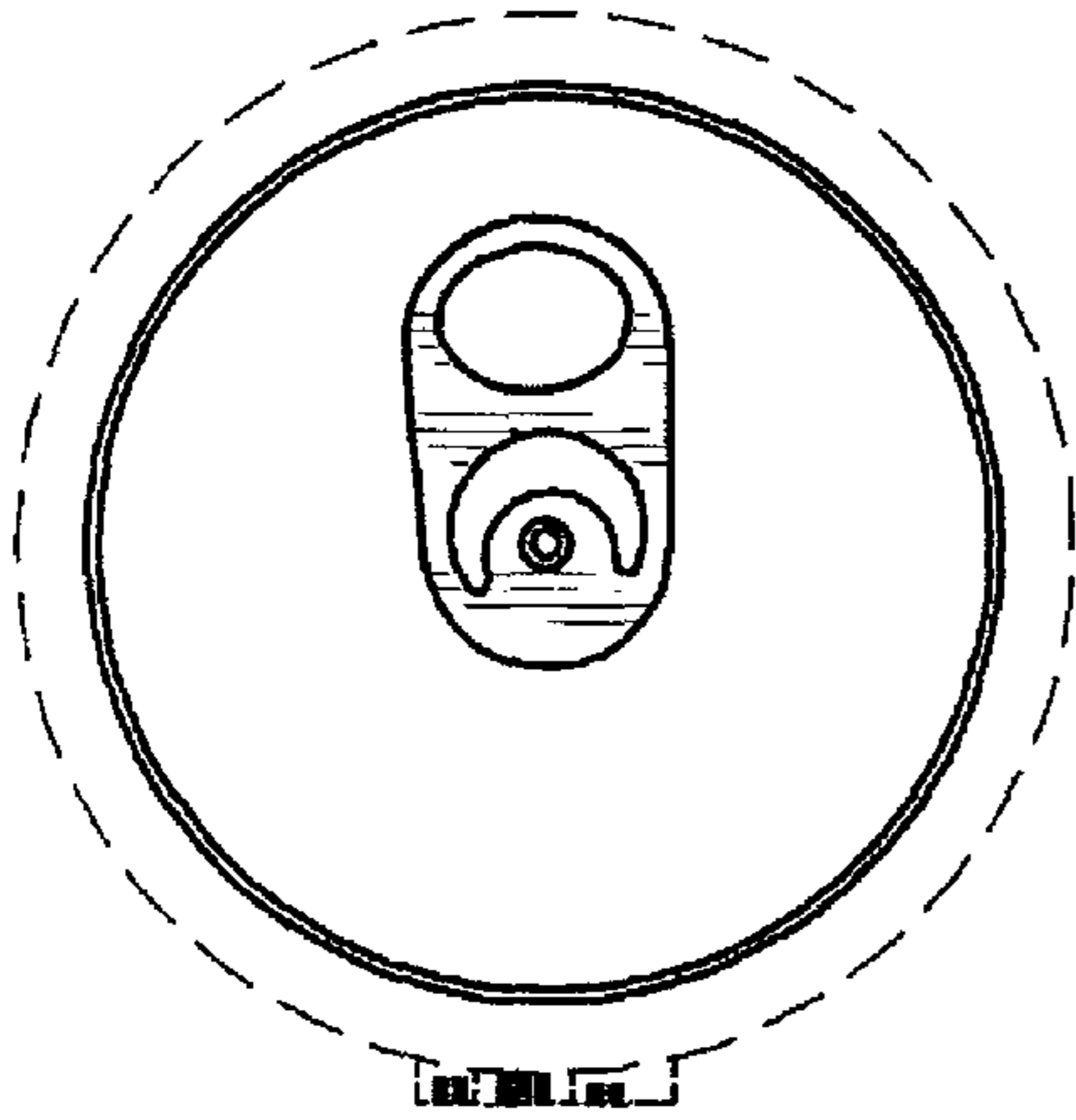


FIG.-3

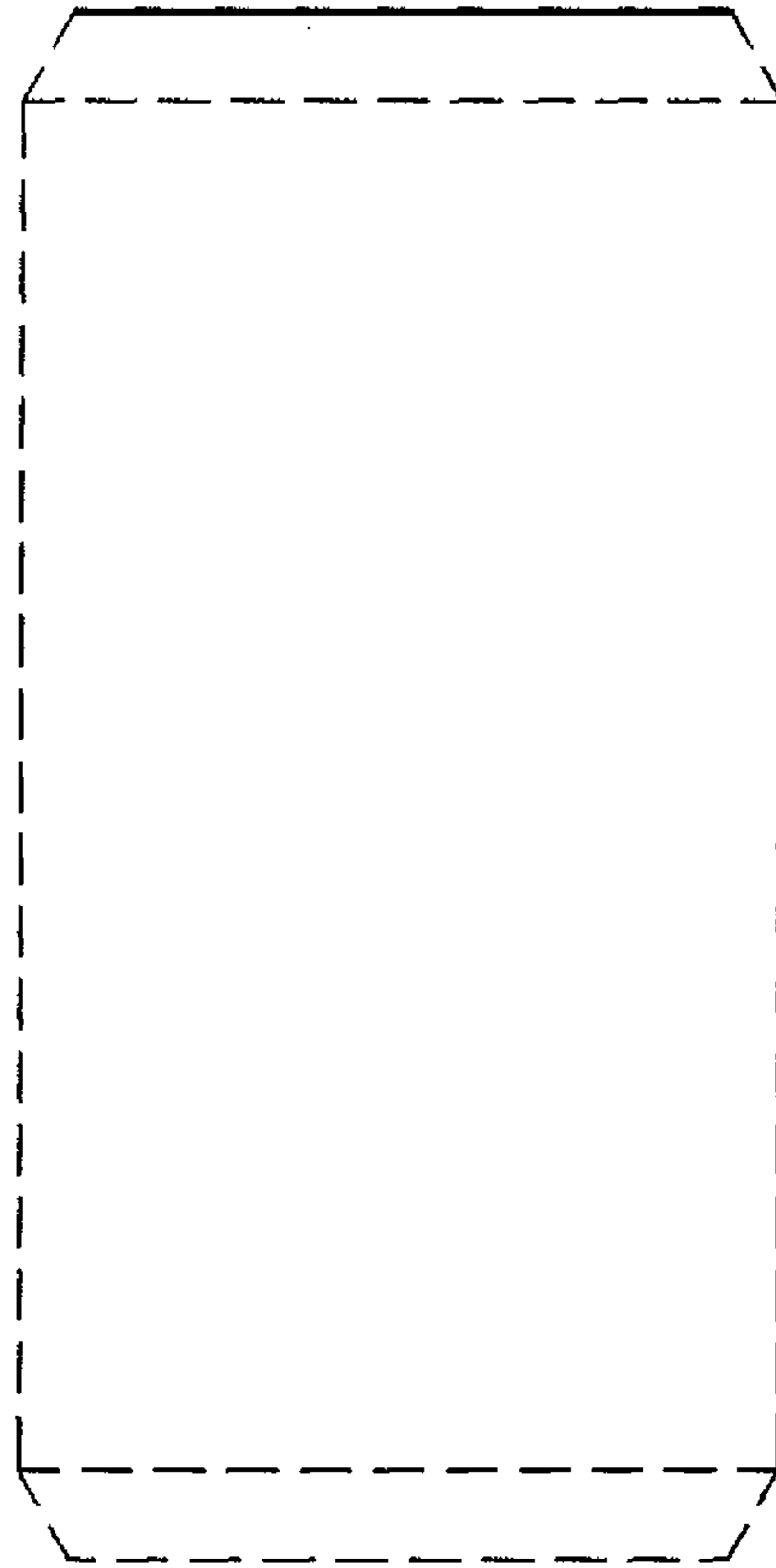


FIG.-4

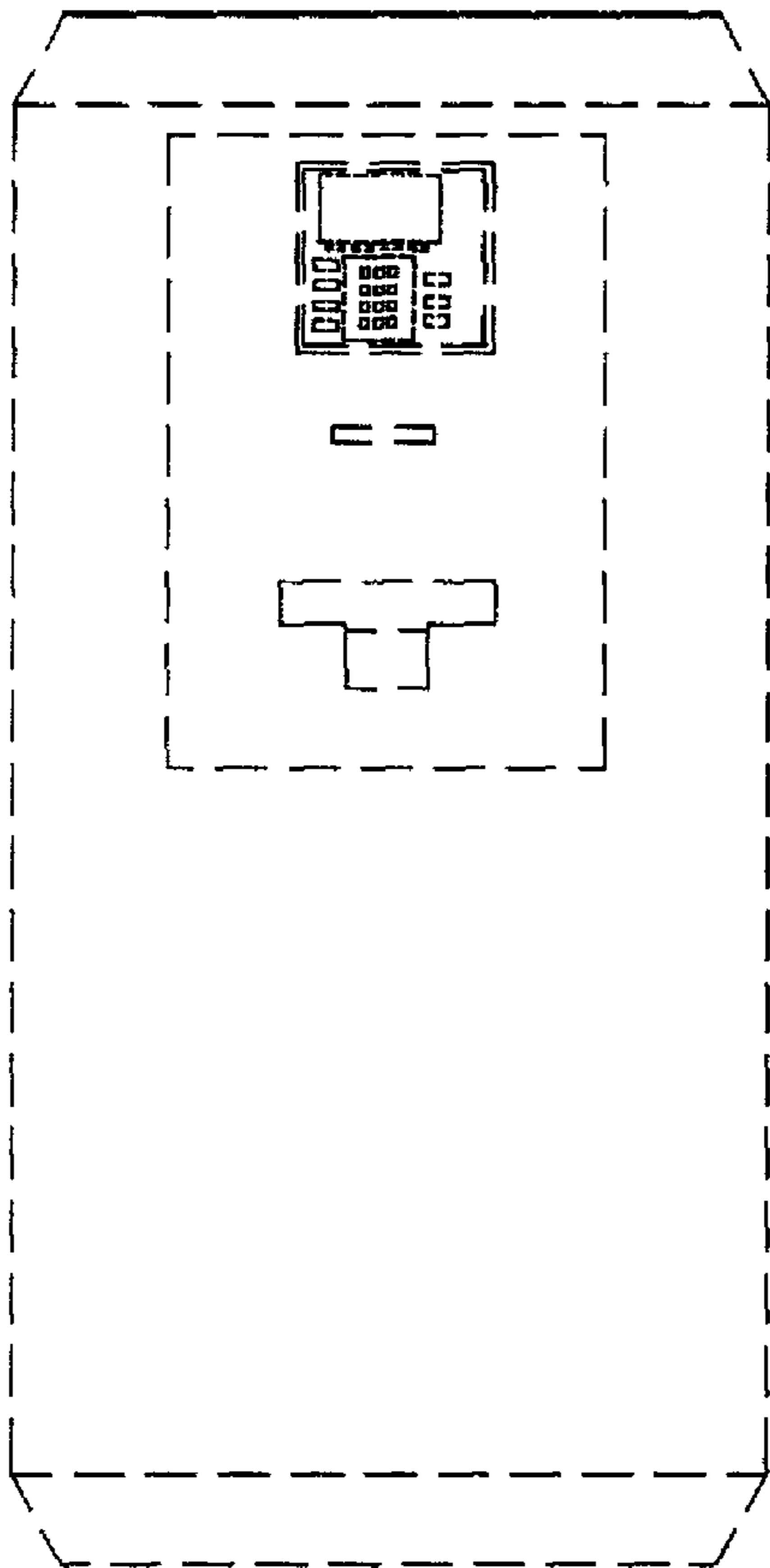


FIG.-2

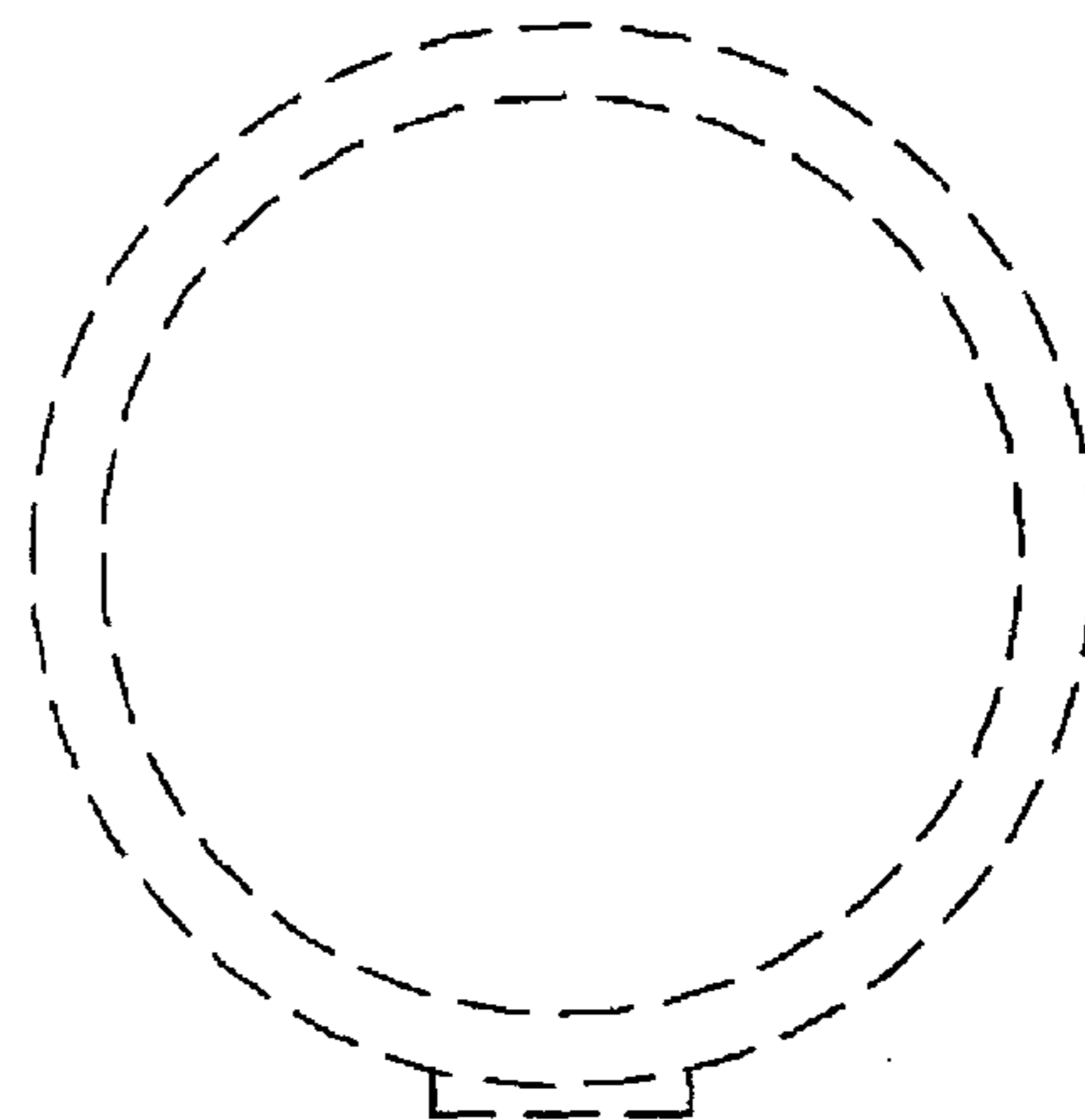


FIG.-5