



US00D633273S

(12) **United States Design Patent**  
**Kellerer et al.**

(10) **Patent No.:** **US D633,273 S**

(45) **Date of Patent:** **\*\* Feb. 22, 2011**

(54) **PALETTE**

(75) Inventors: **Richard Kellerer**, Feldkirchen (DE);  
**Stephanie Prachowsky**, Heilbronn  
(DE); **Andreas Tobiasch**,  
Neukirchen-Vluyn (DE); **Sebastian**  
**Stegeman**, Heilbronn (DE)

(73) Assignees: **Lidl Stiftung & Co. KG** (DE); **Schoeller**  
**Arca Systems GmbH** (DE)

(\*\*) Term: **14 Years**

(21) Appl. No.: **29/359,062**

(22) Filed: **Apr. 5, 2010**

(30) **Foreign Application Priority Data**

Oct. 19, 2009 (EM) ..... 001625583-0001

(51) **LOC (9) Cl.** ..... **09-08**

(52) **U.S. Cl.** ..... **D34/38**

(58) **Field of Classification Search** ..... D34/38;  
108/51.1, 53.1, 57.1, 53.3, 55.3, 901, 56.1,  
108/56.3

See application file for complete search history.

(56) **References Cited**

**U.S. PATENT DOCUMENTS**

- 3,269,336 A 8/1966 Naylor et al.
- 3,606,844 A 9/1971 Lubker et al.
- 3,610,173 A 10/1971 Mcilwraith
- 3,667,403 A 6/1972 Angelbeck, Jr.
- 3,759,194 A 9/1973 Fujii et al.
- 3,814,778 A 6/1974 Hosoda et al.
- 4,051,787 A 10/1977 Nishitani et al.
- D258,948 S \* 4/1981 Stump, Jr. .... D34/38
- 4,413,737 A 11/1983 Wind
- D291,935 S \* 9/1987 Nordstrom ..... D34/38
- 4,879,956 A \* 11/1989 Shuert ..... 108/53.3
- D349,999 S 8/1994 Knight, IV et al.
- 5,343,814 A 9/1994 Pigott et al.
- D357,108 S 4/1995 Hutchison
- 5,687,652 A 11/1997 Ruma

- D403,830 S 1/1999 Apps et al.
- D404,179 S \* 1/1999 Apps et al. .... D34/38
- D409,814 S 5/1999 Herring
- D410,786 S 6/1999 Favaron et al.
- D411,682 S 6/1999 Edwards et al.
- D428,679 S 7/2000 Bridge
- D436,709 S 1/2001 Lux, Jr.
- 6,199,487 B1 3/2001 Coddington
- D443,969 S 6/2001 Apps
- D458,000 S 5/2002 Medoff et al.
- 6,446,563 B1 9/2002 Ohanesian
- D464,186 S \* 10/2002 Medoff et al. .... D34/38
- D472,360 S 3/2003 Medoff et al.
- D476,789 S 7/2003 Apps et al.

(Continued)

**FOREIGN PATENT DOCUMENTS**

EP 0572946 5/1993

(Continued)

*Primary Examiner*—Cynthia E Ramirez  
(74) *Attorney, Agent, or Firm*—Sheridan Ross P.C.

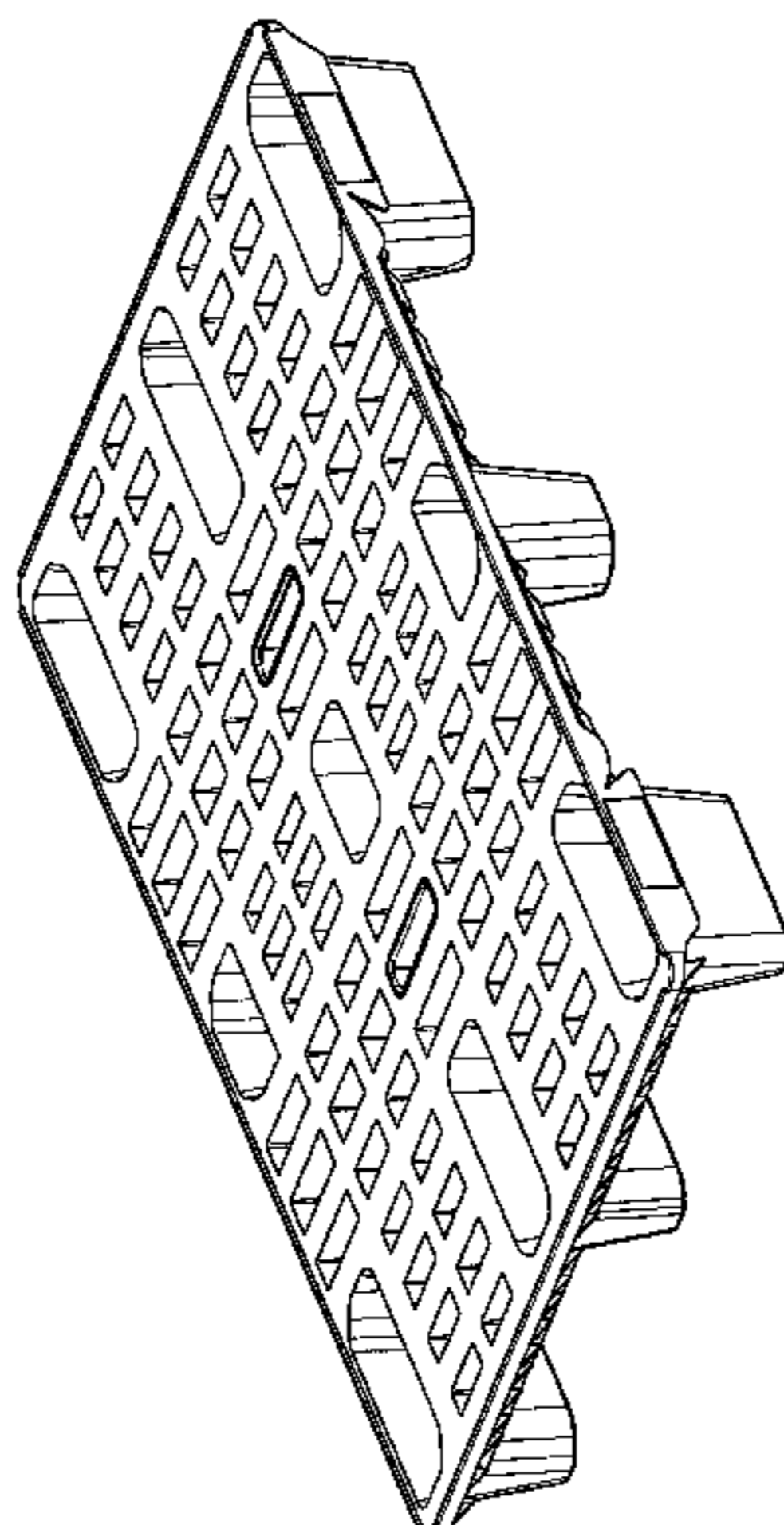
(57) **CLAIM**

The ornamental design for a palette, as shown and described.

**DESCRIPTION**

FIG. 1 is a front elevation view of the palette of our new design, the rear elevation view being a mirror image thereof; FIG. 2 is a right elevation view thereof, the left elevation view being a mirror image thereof; FIG. 3 is a bottom plan view thereof; FIG. 4 is a top plan view thereof; FIG. 5 is a top perspective view thereof; and, FIG. 6 is a bottom perspective view thereof.

**1 Claim, 6 Drawing Sheets**



# US D633,273 S

Page 2

## U.S. PATENT DOCUMENTS

6,584,914 B1 7/2003 Koefeld  
D479,379 S 9/2003 Yamanouchi et al.  
D485,658 S 1/2004 McMurtrey  
D485,659 S 1/2004 Medoff et al.  
D494,337 S 8/2004 Carpenter et al.  
D495,460 S 8/2004 Apps et al.  
6,840,181 B2 1/2005 Smyers  
6,955,128 B2 10/2005 Apps  
D521,208 S \* 5/2006 France ..... D34/38  
D544,175 S 6/2007 Valentinsson  
D554,825 S \* 11/2007 Lux, Jr. .... D34/38  
D555,324 S \* 11/2007 Lux, Jr. .... D34/38

D557,475 S \* 12/2007 Kruger ..... D34/38  
D594,174 S 6/2009 Vinke  
D612,569 S \* 3/2010 Carter ..... D34/38  
D615,272 S \* 5/2010 Carter ..... D34/38  
2002/0134284 A1 9/2002 Apps  
2005/0145144 A1 7/2005 Gab

## FOREIGN PATENT DOCUMENTS

JP 57165213 A 10/1982  
WO WO 95/29102 11/1995  
WO WO 97/39956 10/1997  
WO WO 03/051726 6/2003

\* cited by examiner

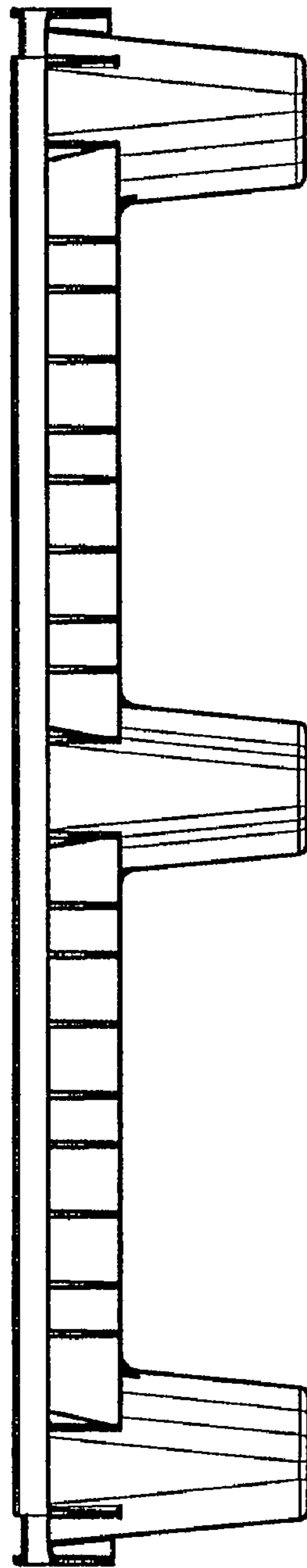


FIG. 1

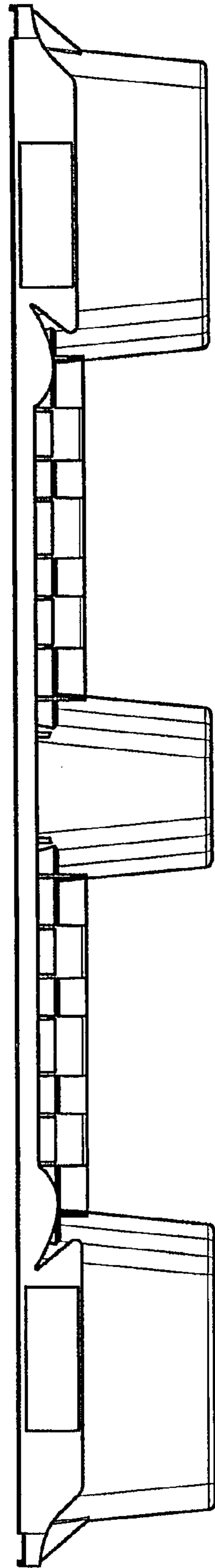


FIG. 2

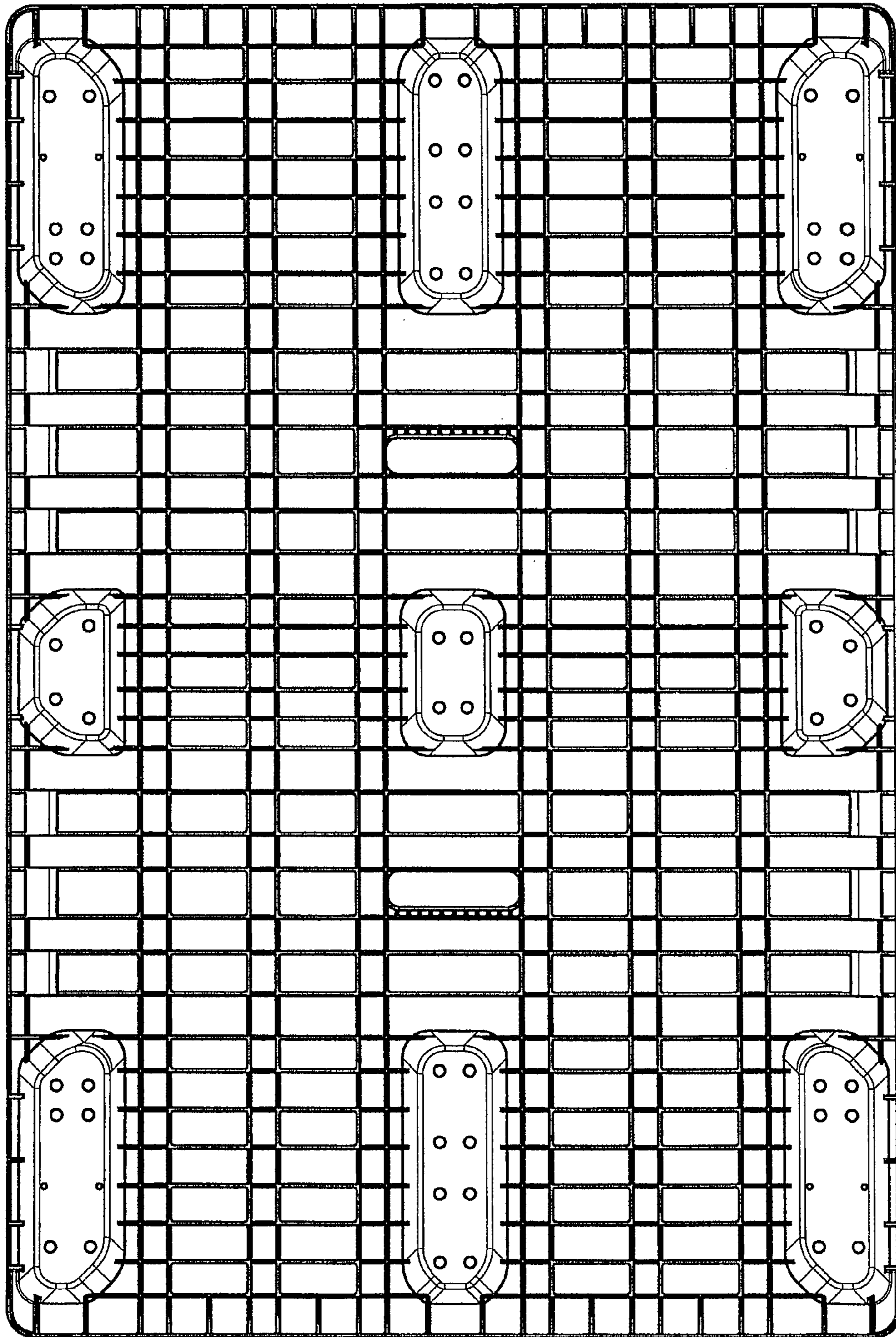


FIG. 3



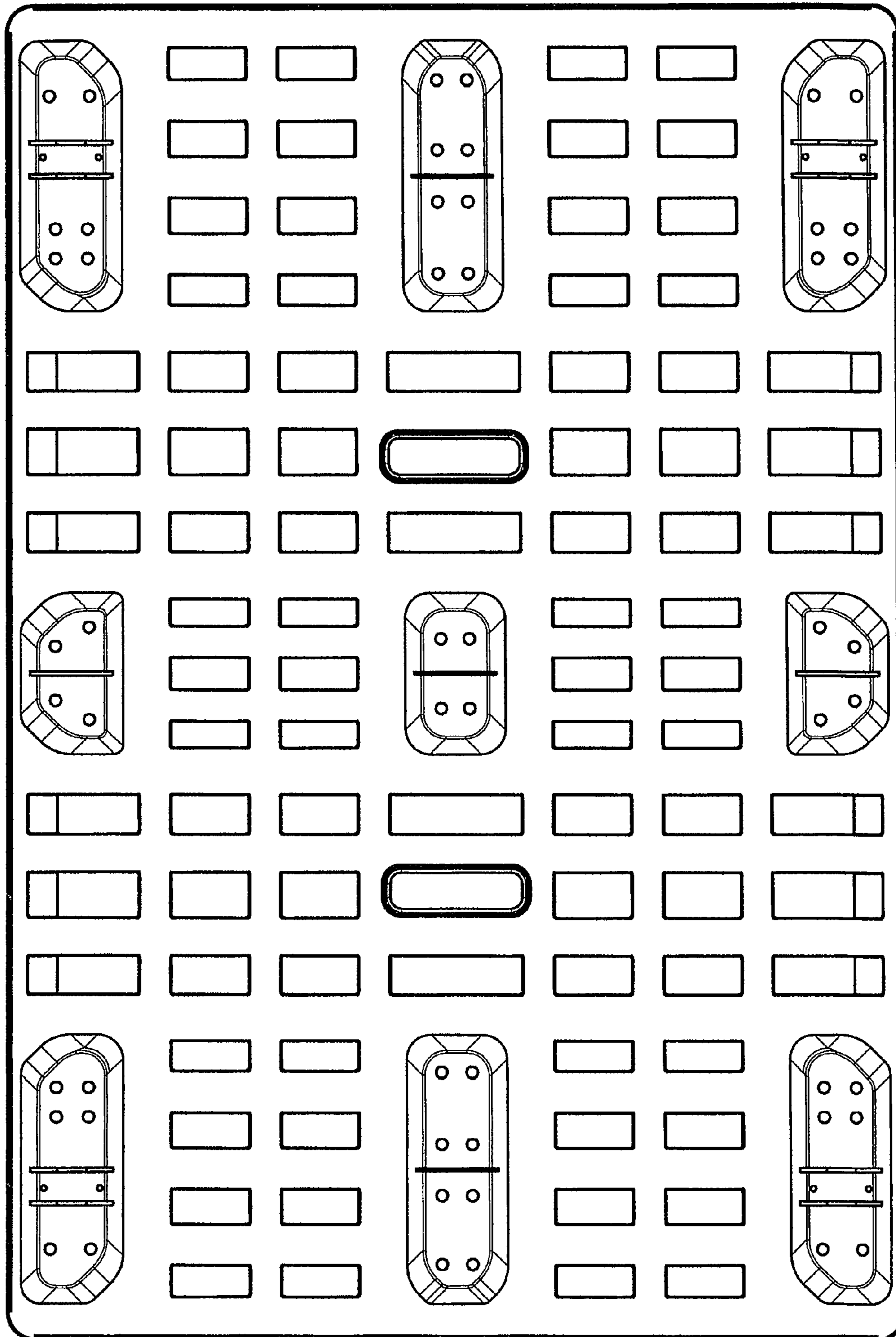


FIG. 4

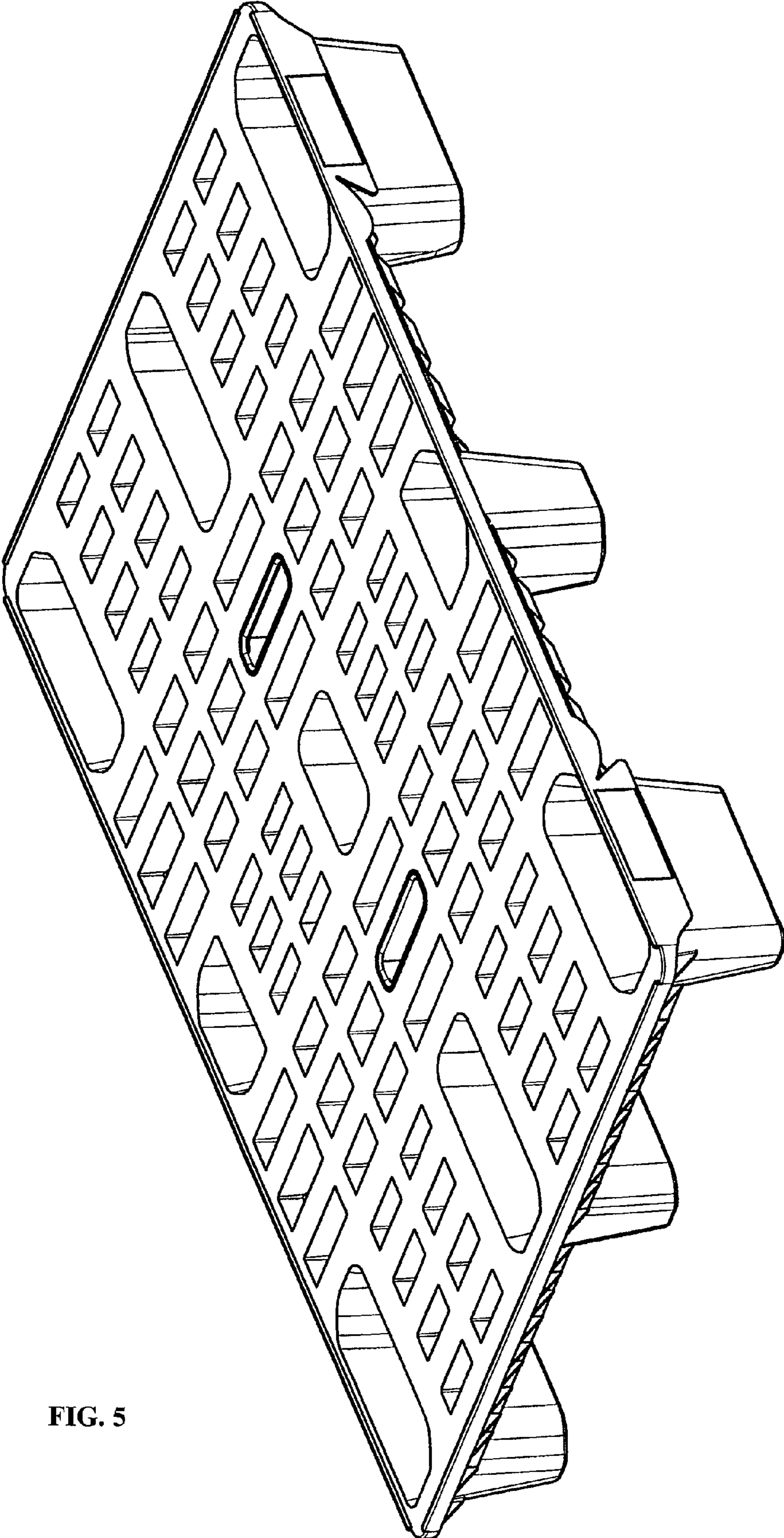


FIG. 5

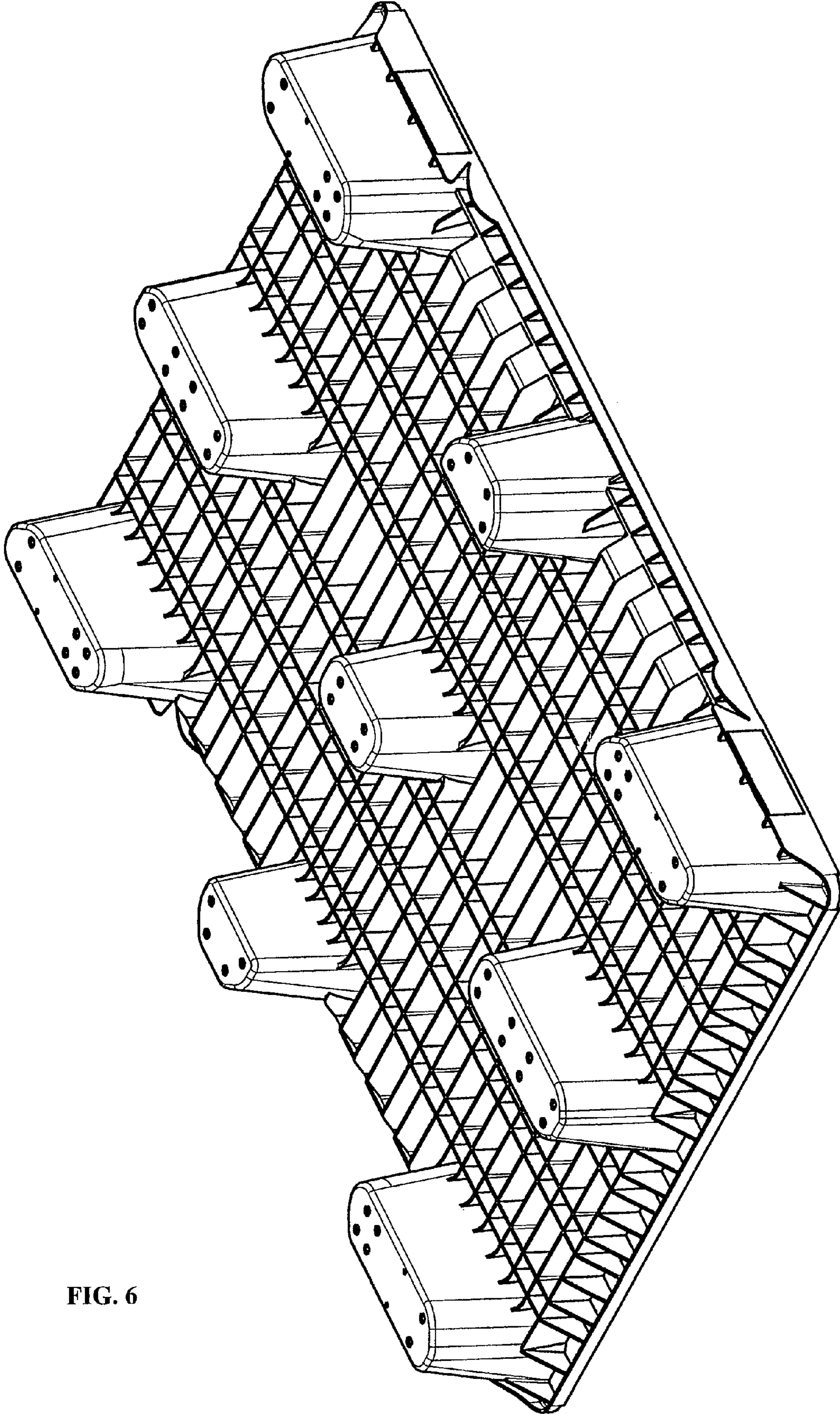


FIG. 6