



US00D633272S

(12) **United States Design Patent**  
**Young, Jr.**

(10) **Patent No.:** **US D633,272 S**

(45) **Date of Patent:** **\*\* Feb. 22, 2011**

(54) **AXLE JACK**

(76) Inventor: **Wayne M. Young, Jr.**, 3307 Redwood Ave., Grants Pass, OR (US) 97526

(\*\*) Term: **14 Years**

(21) Appl. No.: **29/363,545**

(22) Filed: **Jun. 10, 2010**

(51) **LOC (9) Cl.** ..... **12-05**

(52) **U.S. Cl.** ..... **D34/31**

(58) **Field of Classification Search** ..... D34/28,  
D34/31; 414/429; 254/2 R, 8 R, 45, 134,  
254/84, 93 H, 93 R, DIG. 1, 11, 420, 426,  
254/424

See application file for complete search history.

(56) **References Cited**

**U.S. PATENT DOCUMENTS**

D206,814 S *	1/1967	Greenwood et al. ....	D34/31
4,699,558 A *	10/1987	Hagge et al. ....	414/458
D363,915 S *	11/1995	Weems ....	D12/345
6,450,756 B1 *	9/2002	Stahancyk et al. ....	414/426
D468,512 S *	1/2003	Hernandez ....	D34/28
D471,337 S *	3/2003	Cooper ....	D34/28
D473,692 S *	4/2003	Tafoya ....	D34/31

D622,567 S \* 8/2010 Maldonado et al. .... D8/31  
2009/0134374 A1 \* 5/2009 Krug ..... 254/4 B

\* cited by examiner

*Primary Examiner*—Cynthia E Ramirez

(74) *Attorney, Agent, or Firm*—Jerry Haynes Law

(57) **CLAIM**

The ornamental design for an axle jack, as shown and described.

**DESCRIPTION**

FIG. 1 is a front perspective view of an axle jack showing my new design;

FIG. 2 is a right side view thereof, the left side view being the same image thereof;

FIG. 3 is a back view thereof;

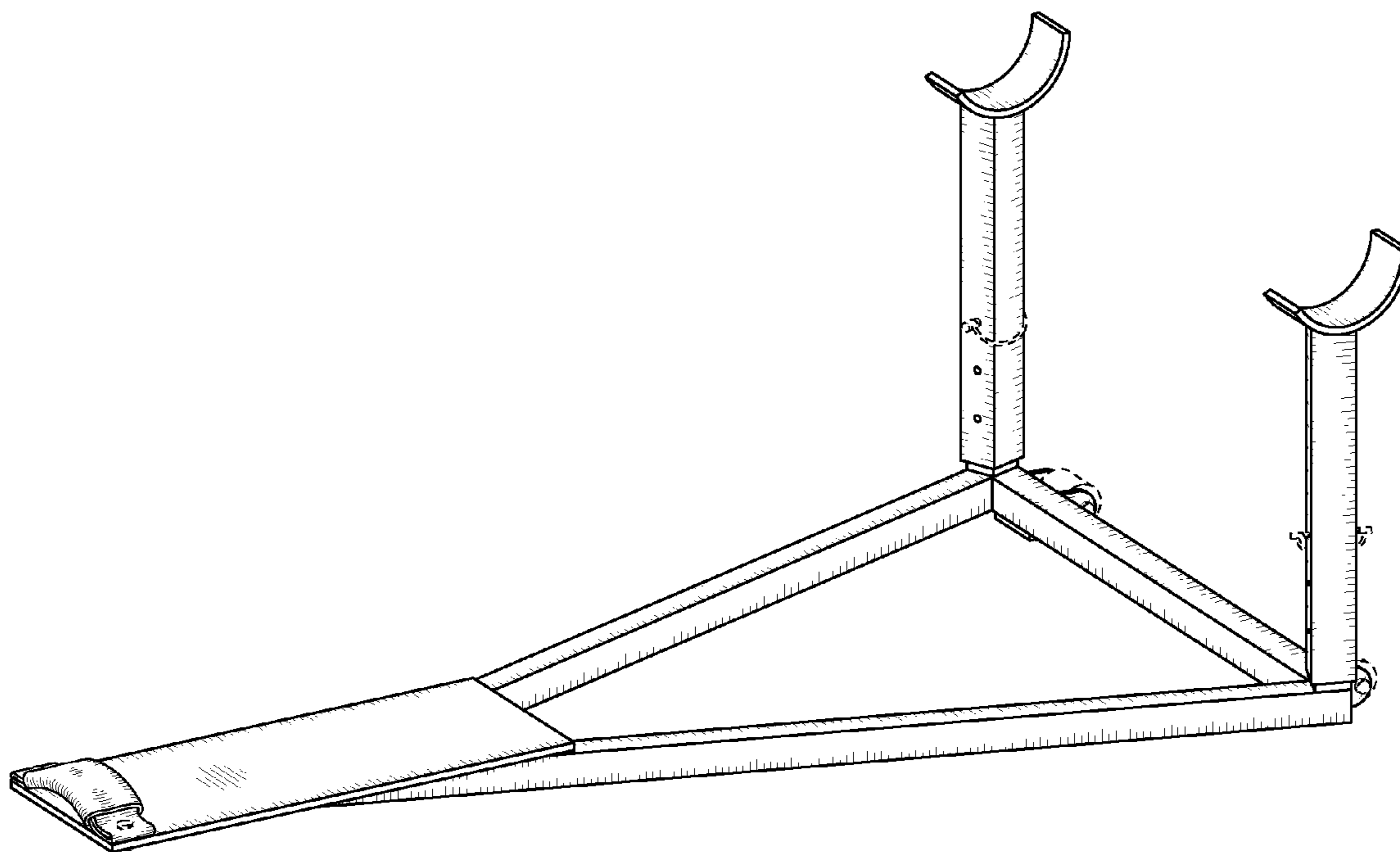
FIG. 4 is a front view thereof;

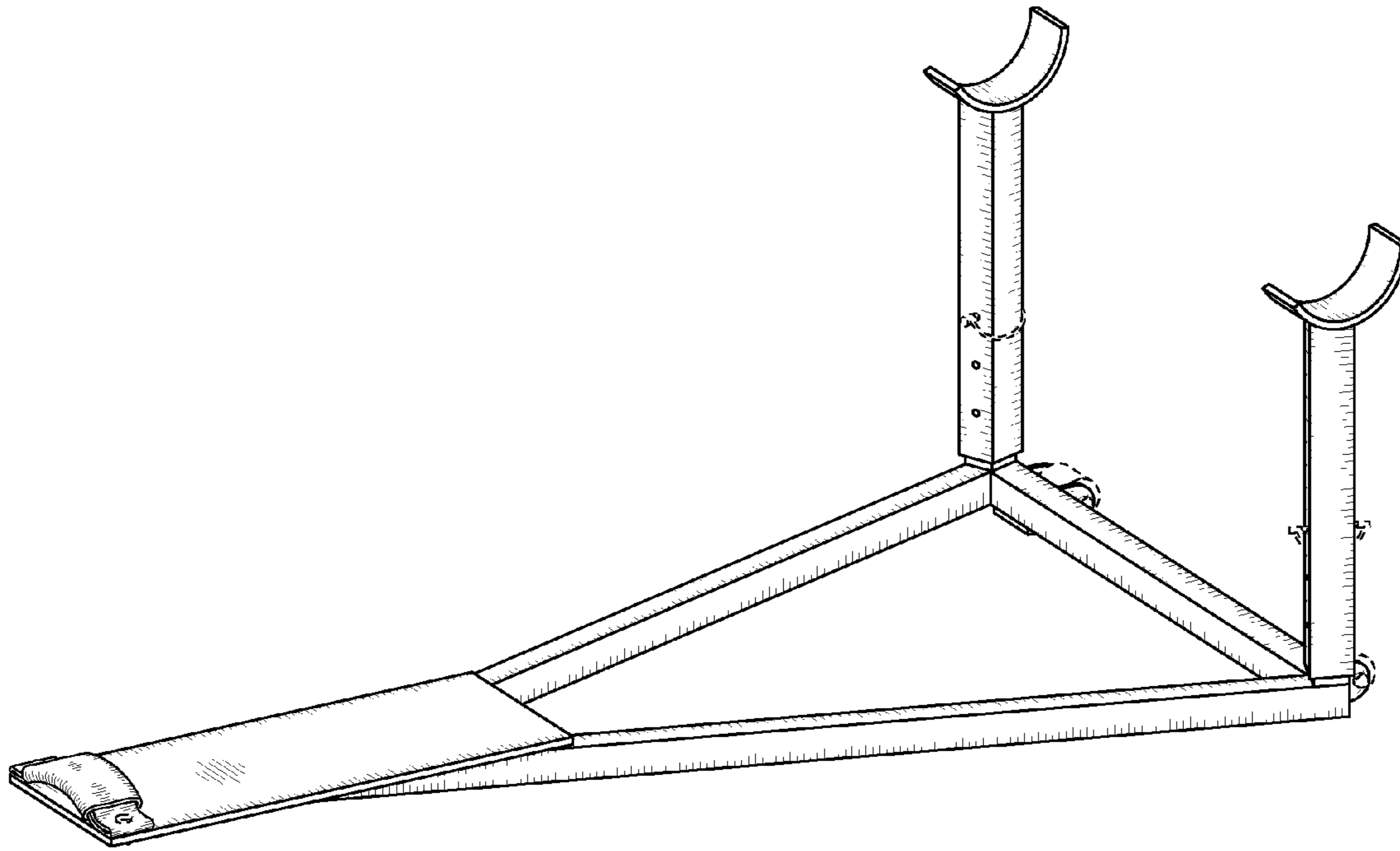
FIG. 5 is a top view thereof; and,

FIG. 6 is a bottom view thereof.

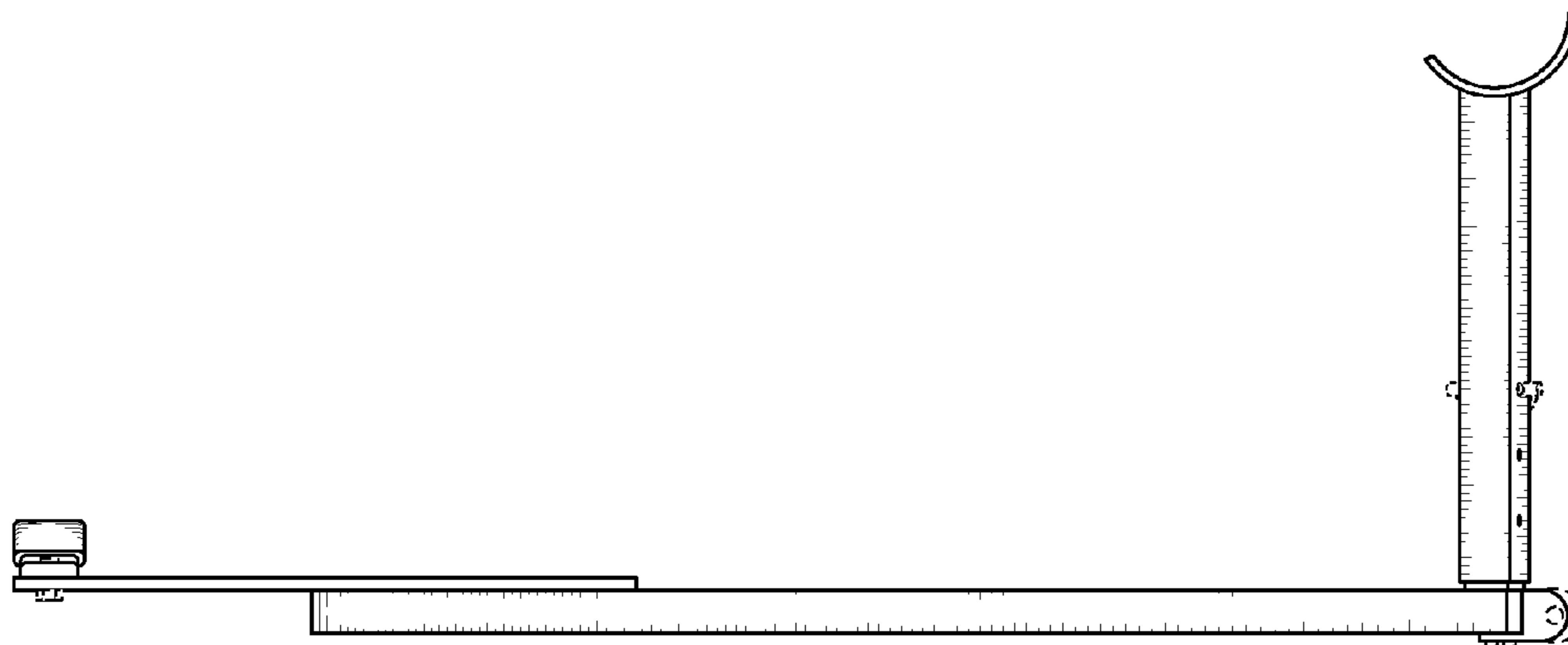
The broken lines shown in the figures are included for the purpose of illustrating environment and form no part of the claimed design.

**1 Claim, 3 Drawing Sheets**

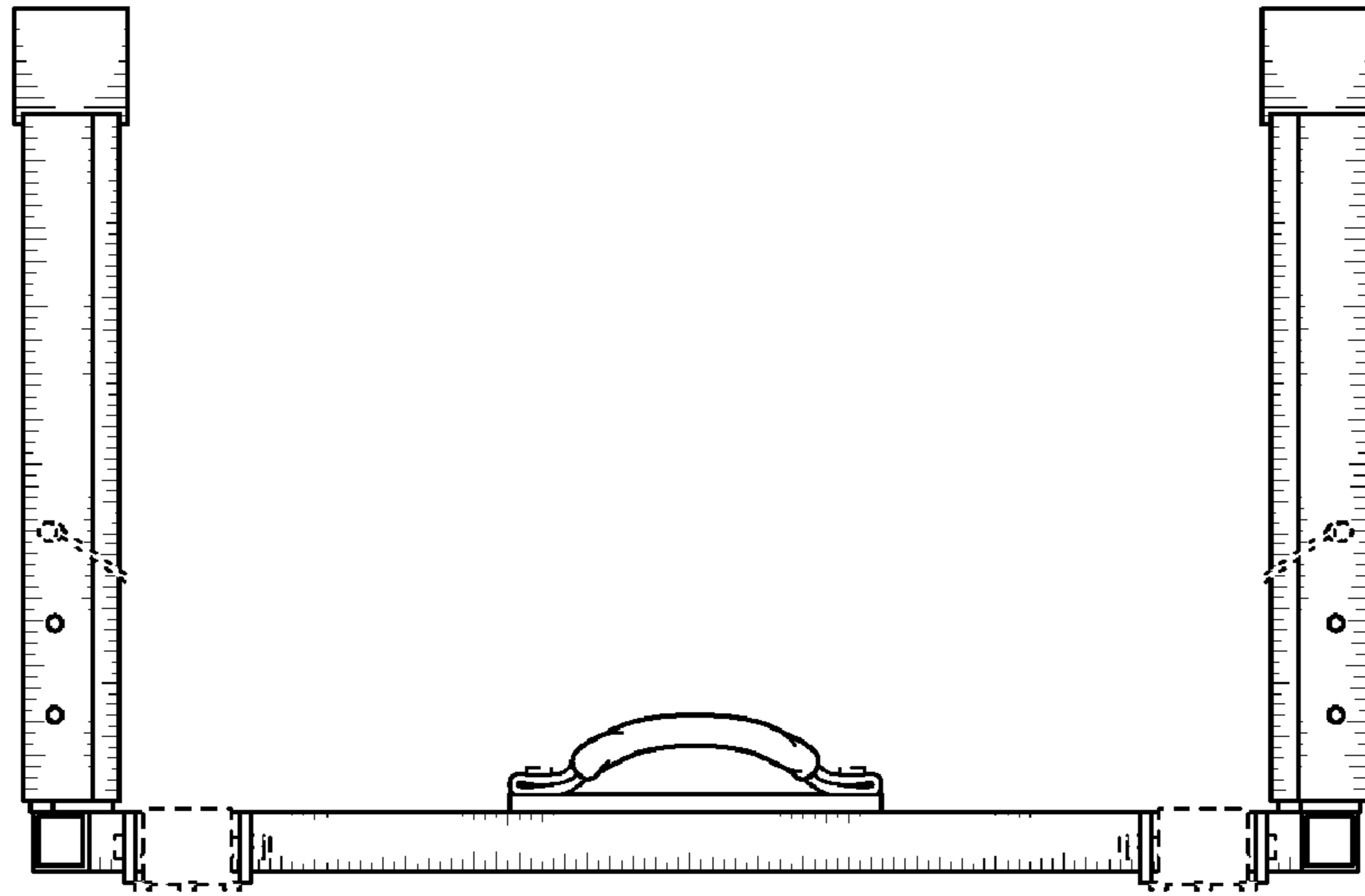




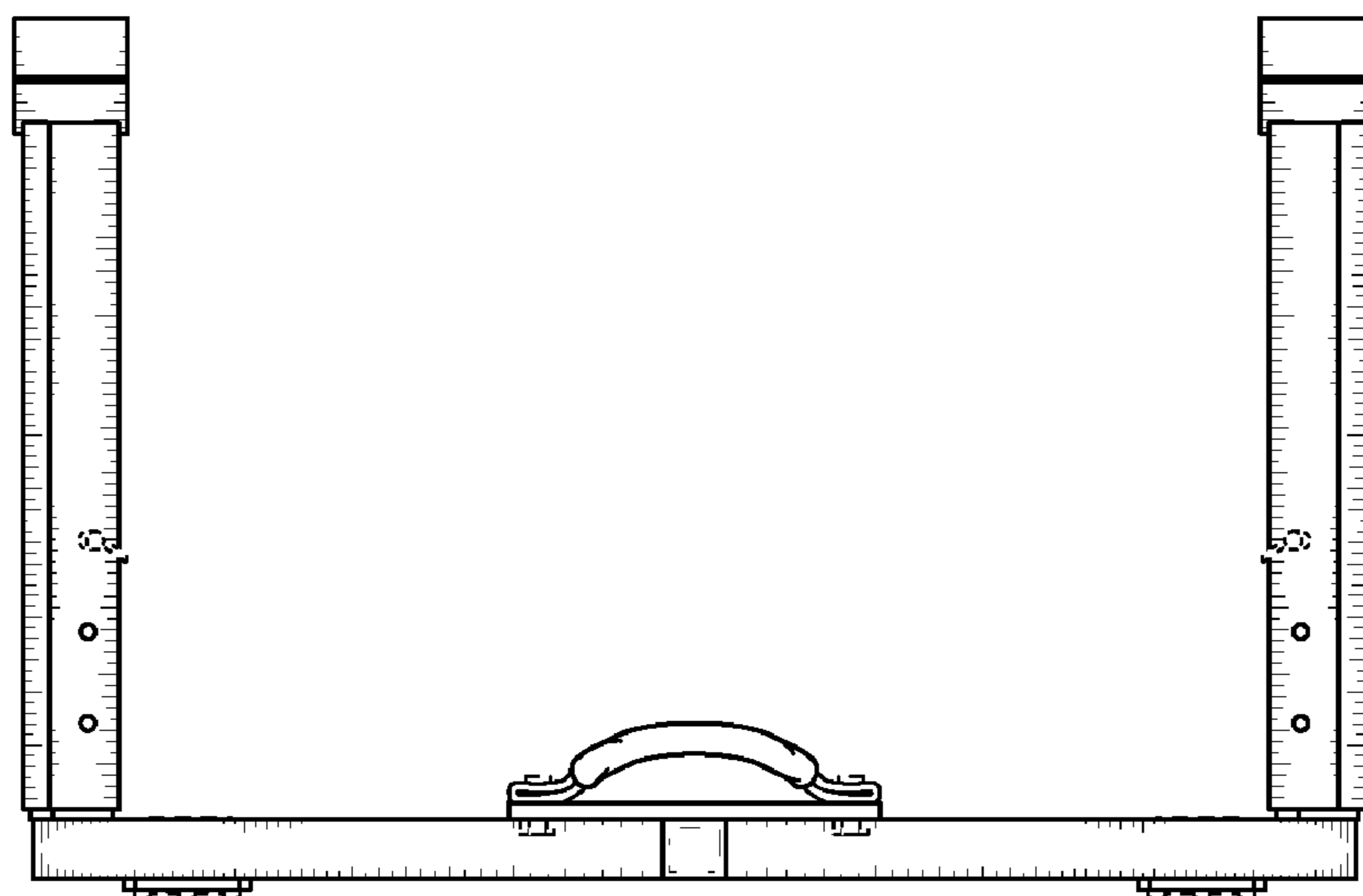
**FIG. 1**



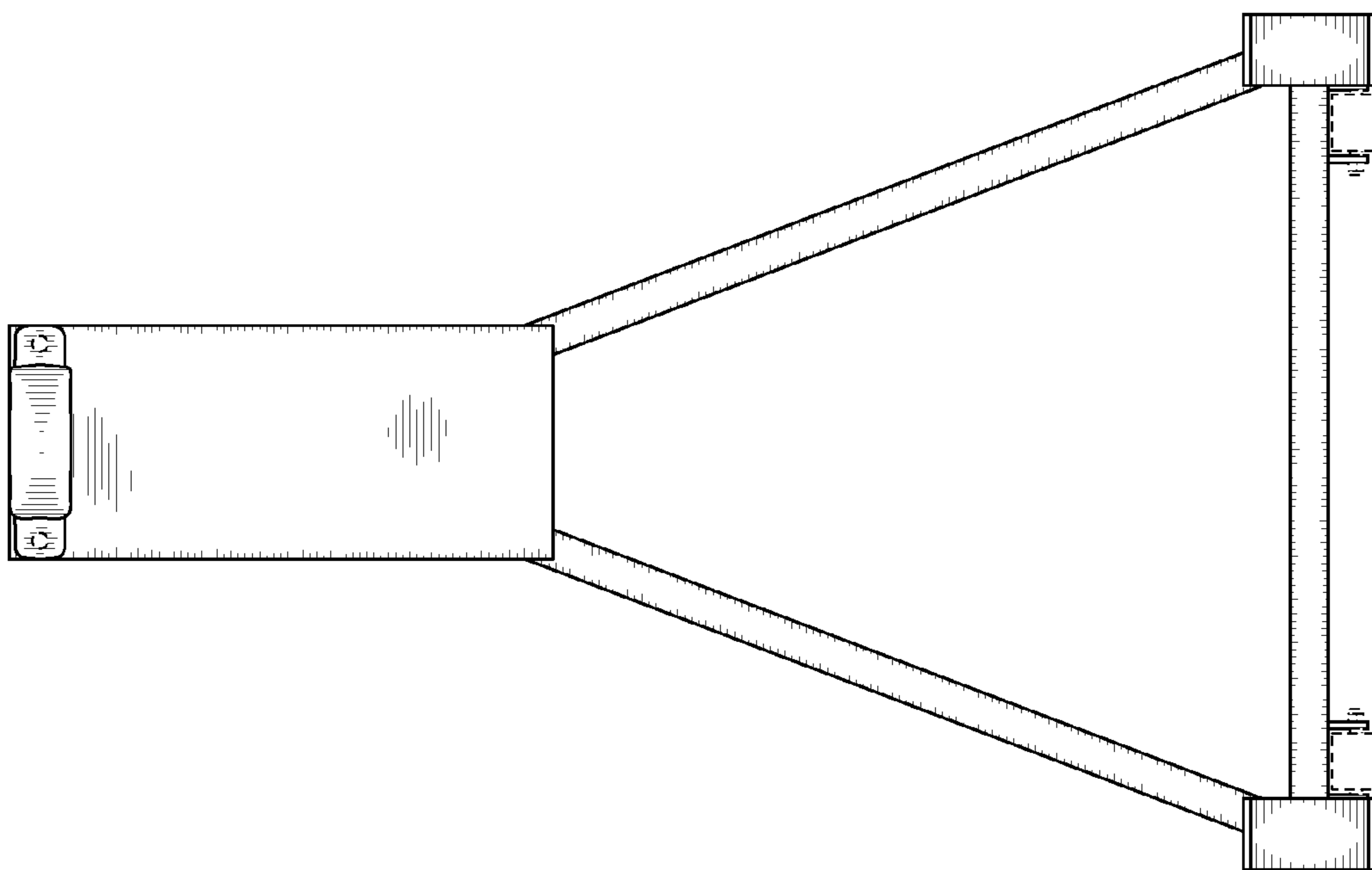
**FIG. 2**



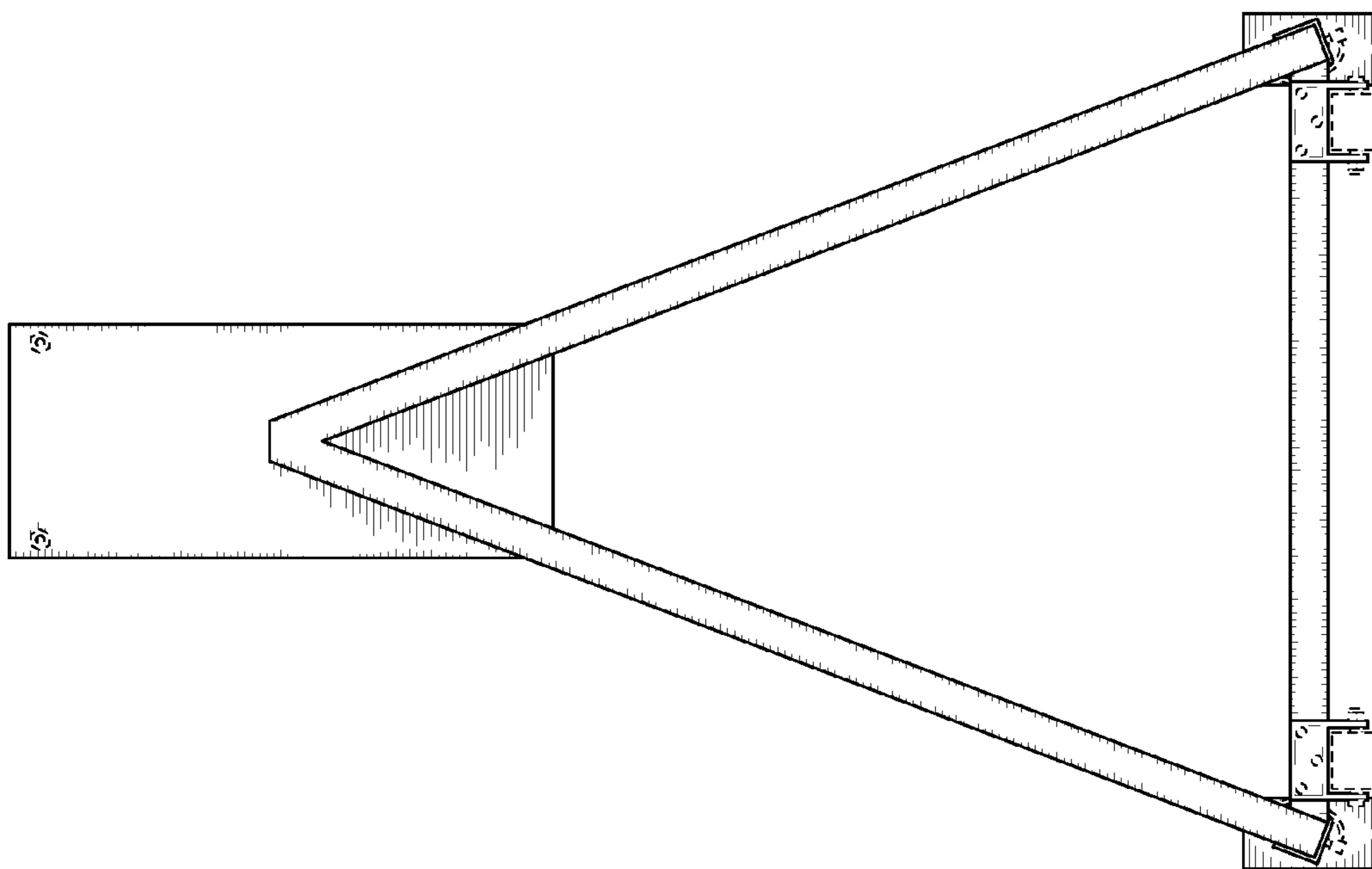
**FIG. 3**



**FIG. 4**



**FIG. 5**



**FIG. 6**