

US00D633271S

(12) **United States Design Patent**
Casey

(10) **Patent No.:** **US D633,271 S**
(45) **Date of Patent:** **** Feb. 22, 2011**

(54) **GARDENING CART**

(76) **Inventor:** **Dale E. Casey**, 2404 N. Longwood Dr.,
Decatur, IL (US) 62526

(**) **Term:** **14 Years**

(21) **Appl. No.:** **29/364,645**

(22) **Filed:** **Jun. 25, 2010**

(51) **LOC (9) Cl.** **12-02**

(52) **U.S. Cl.** **D34/26**

(58) **Field of Classification Search** D34/12-27;
280/47.26, 47.31, 47.34, 47.35, 47.19, 79.2,
280/652

See application file for complete search history.

(56) **References Cited**

U.S. PATENT DOCUMENTS

D190,853	S	*	7/1961	Neville	D34/26
D208,536	S	*	9/1967	Clark et al.	D34/24
D242,534	S	*	11/1976	Becker	D34/21
D273,242	S	*	3/1984	Maza et al.	D34/21
4,743,040	A	*	5/1988	Breveglieri et al.	280/47.35
D396,924	S	*	8/1998	Cardenas	D34/24
5,833,250	A	*	11/1998	Schier et al.	280/47.19
D415,867	S	*	10/1999	Perelli	D34/21
D427,740	S	*	7/2000	Hurt	D34/24
D446,621	S	*	8/2001	Schier	D34/24
D480,527	S	*	10/2003	Kollen	D34/21
7,207,577	B2	*	4/2007	Udall et al.	280/47.26
D606,722	S	*	12/2009	Walter	D34/12
D622,471	S	*	8/2010	Hernandez	D34/12

* cited by examiner

Primary Examiner—Cynthia E Ramirez

(74) *Attorney, Agent, or Firm*—Alvin T. Rockhill

(57) **CLAIM**

The ornamental design for a gardening cart, as shown and described.

DESCRIPTION

FIG. 1 is a front perspective view of the gardening cart showing my new design.

FIG. 2 is a front view of the gardening cart.

FIG. 3 is a back view of the gardening cart.

FIG. 4 is a right side view of the gardening cart.

FIG. 5 is a left side view of the gardening cart.

FIG. 6 is a top view of the gardening cart.

FIG. 7 is a bottom view of the gardening cart.

FIG. 8 is a front perspective view of an alternative embodiment of the gardening cart of the subject invention.

FIG. 9 is a front view of the alternative embodiment of the gardening cart.

FIG. 10 is a back view of the alternative embodiment of the gardening cart.

FIG. 11 is a right side view of the alternative embodiment of gardening cart.

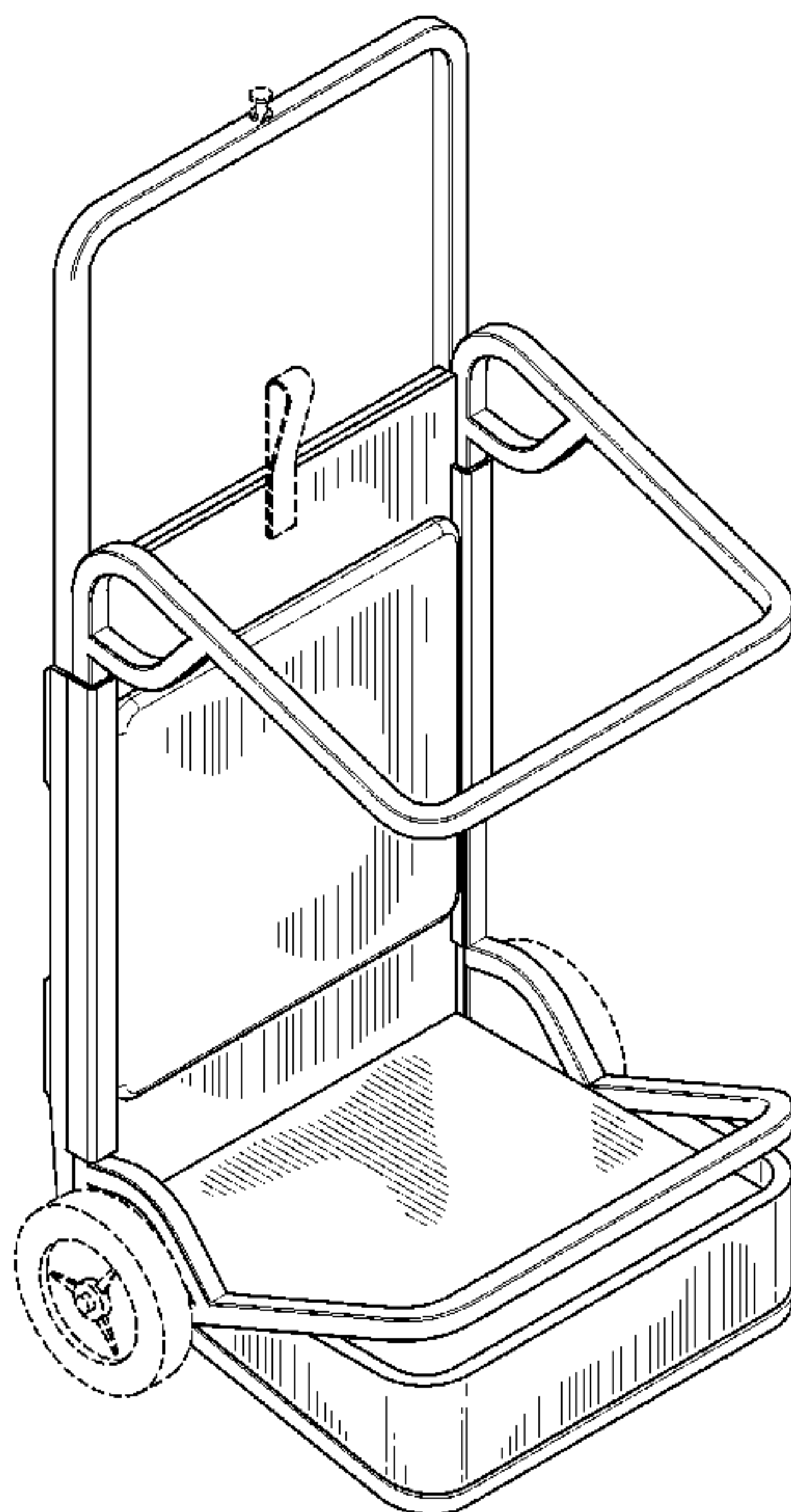
FIG. 12 is a left side view of the alternative embodiment of gardening cart.

FIG. 13 is a top view of the alternative embodiment of gardening cart; and,

FIG. 14 is a bottom view of the alternative embodiment of gardening cart.

The broken line showing of wheels, strap and hardware is included for the purpose of illustrating environment and forms no part of the claimed design.

1 Claim, 8 Drawing Sheets



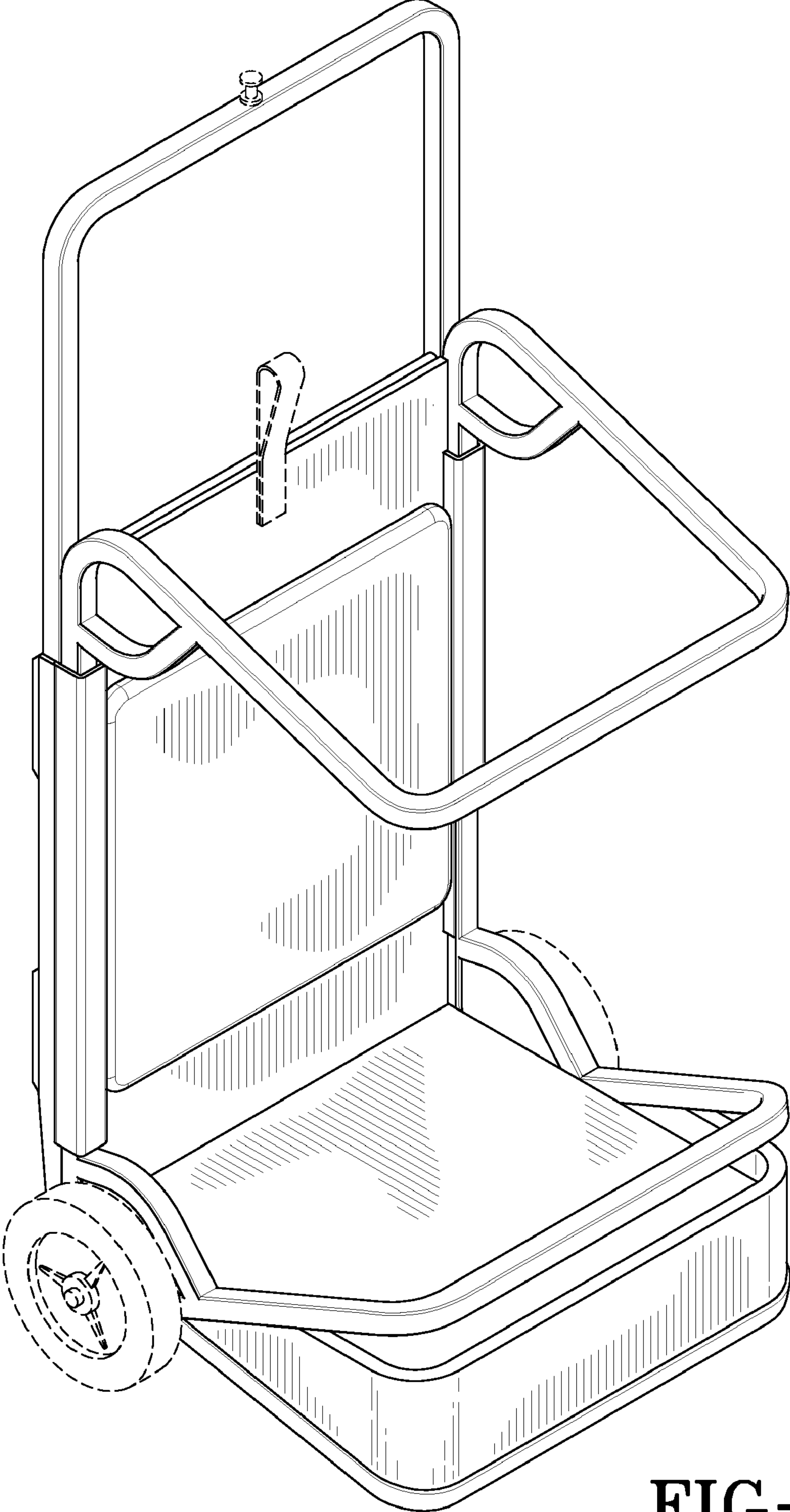


FIG-1

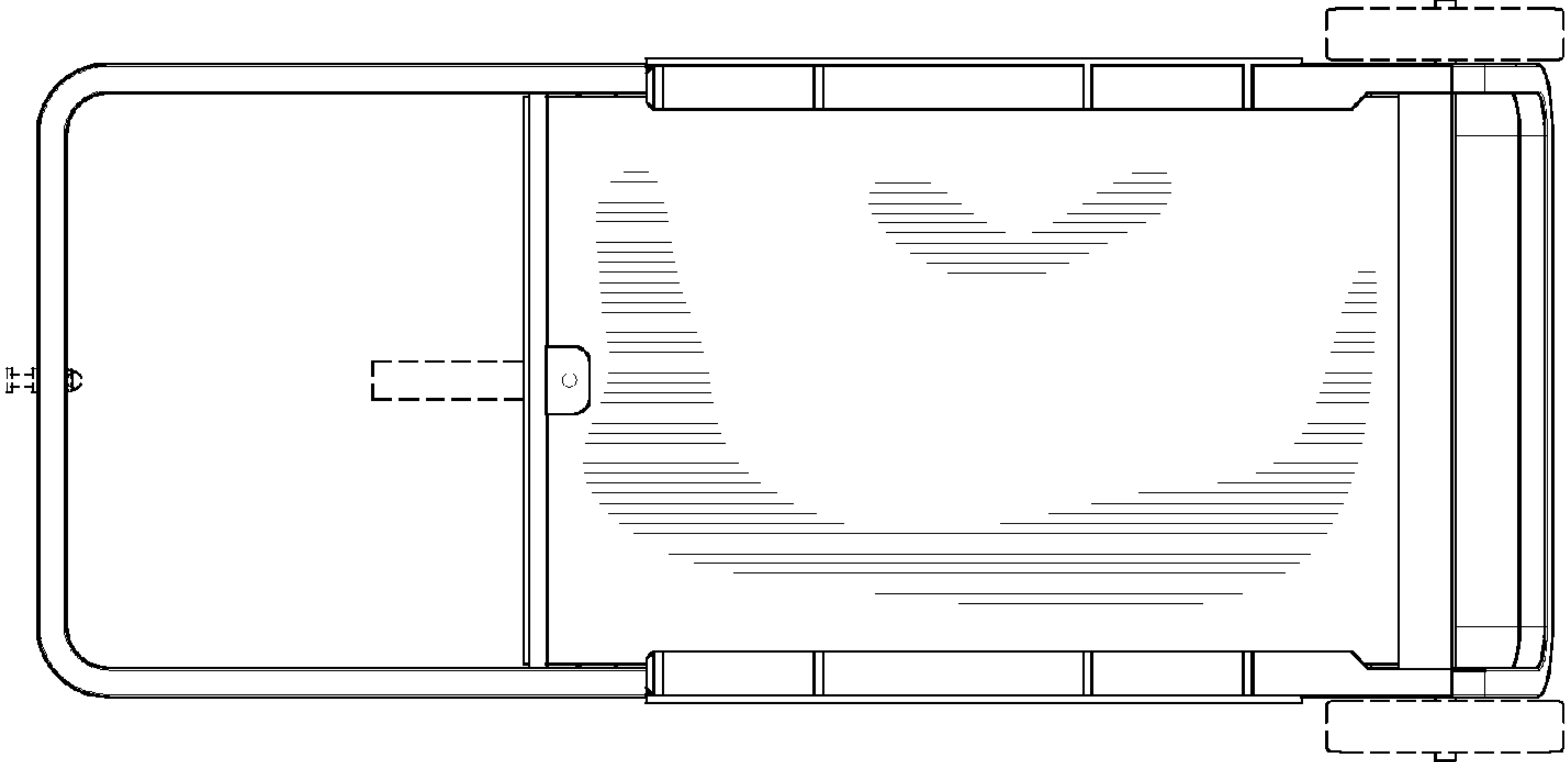


FIG-3

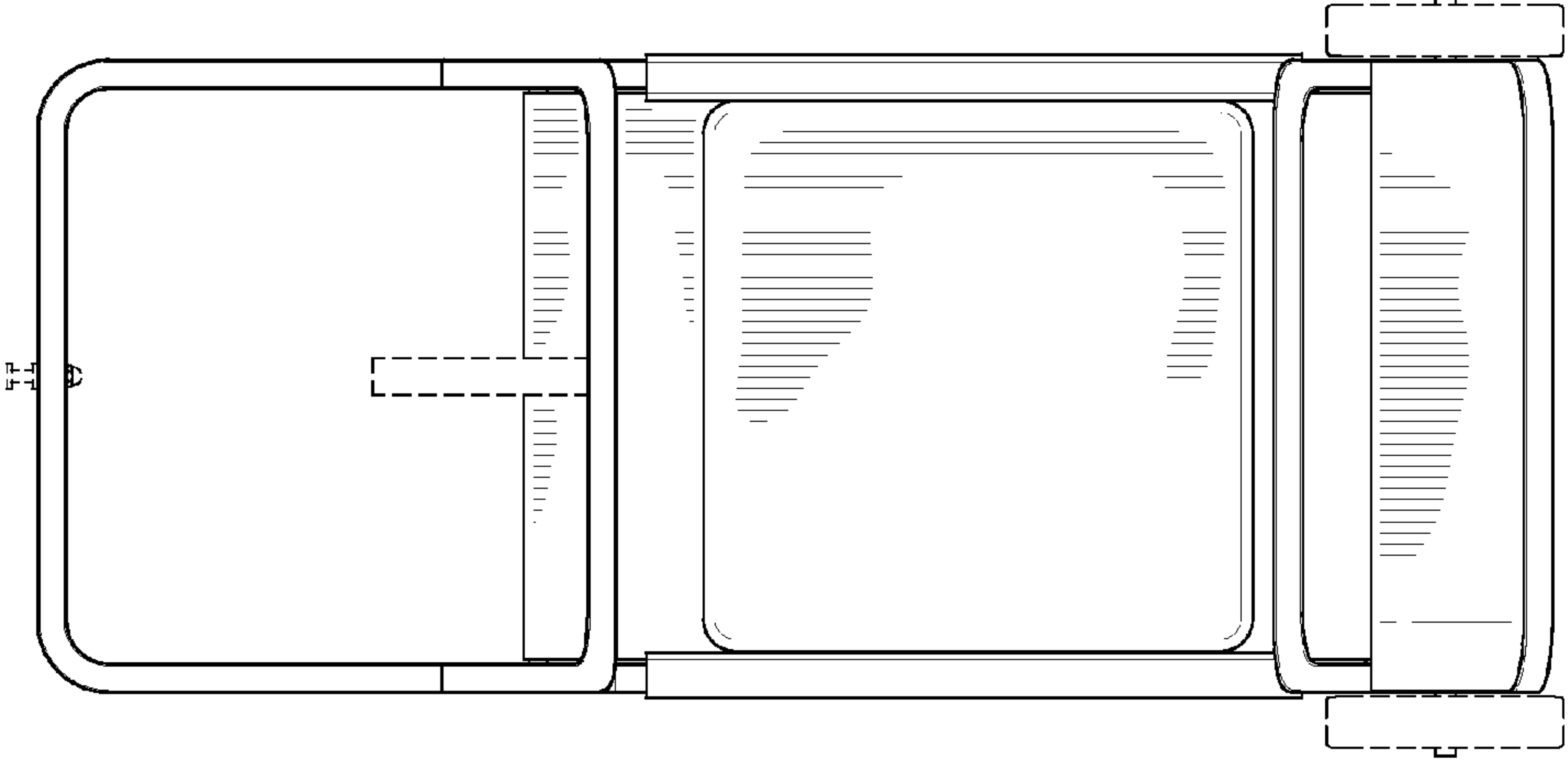


FIG-2

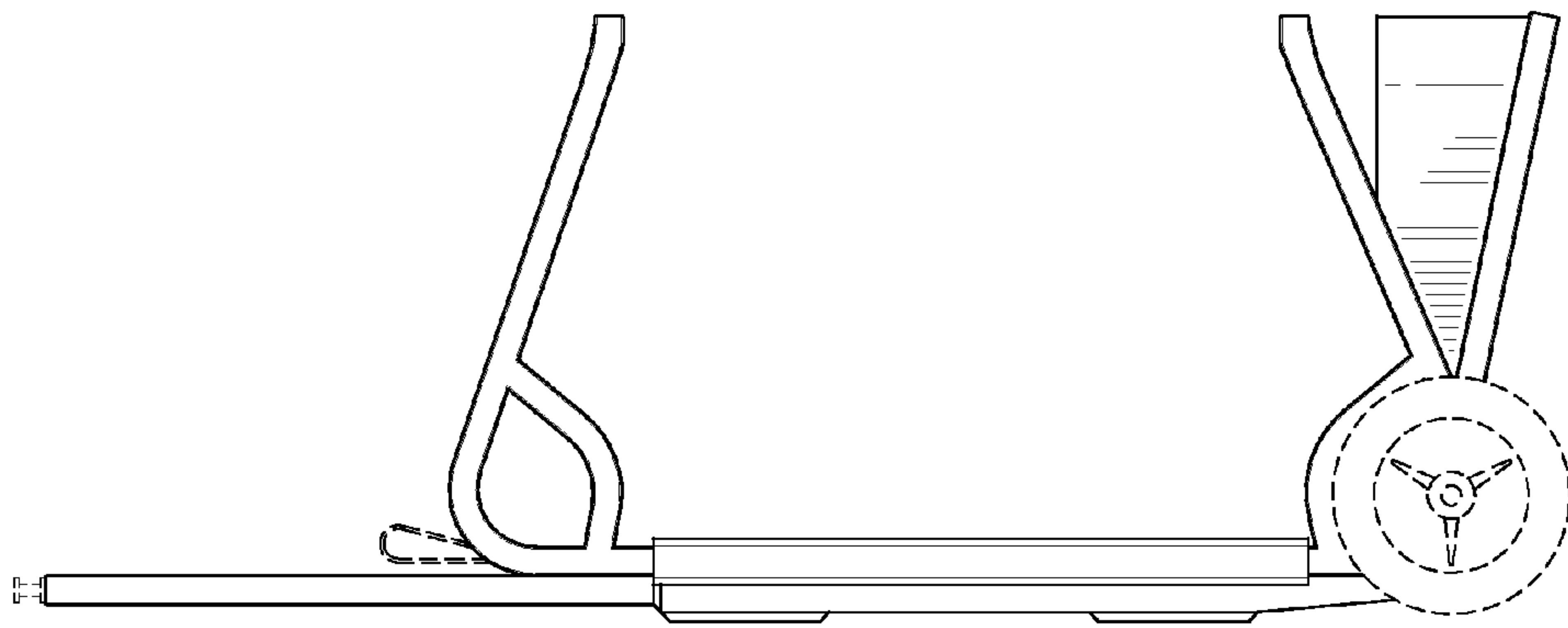


FIG-5

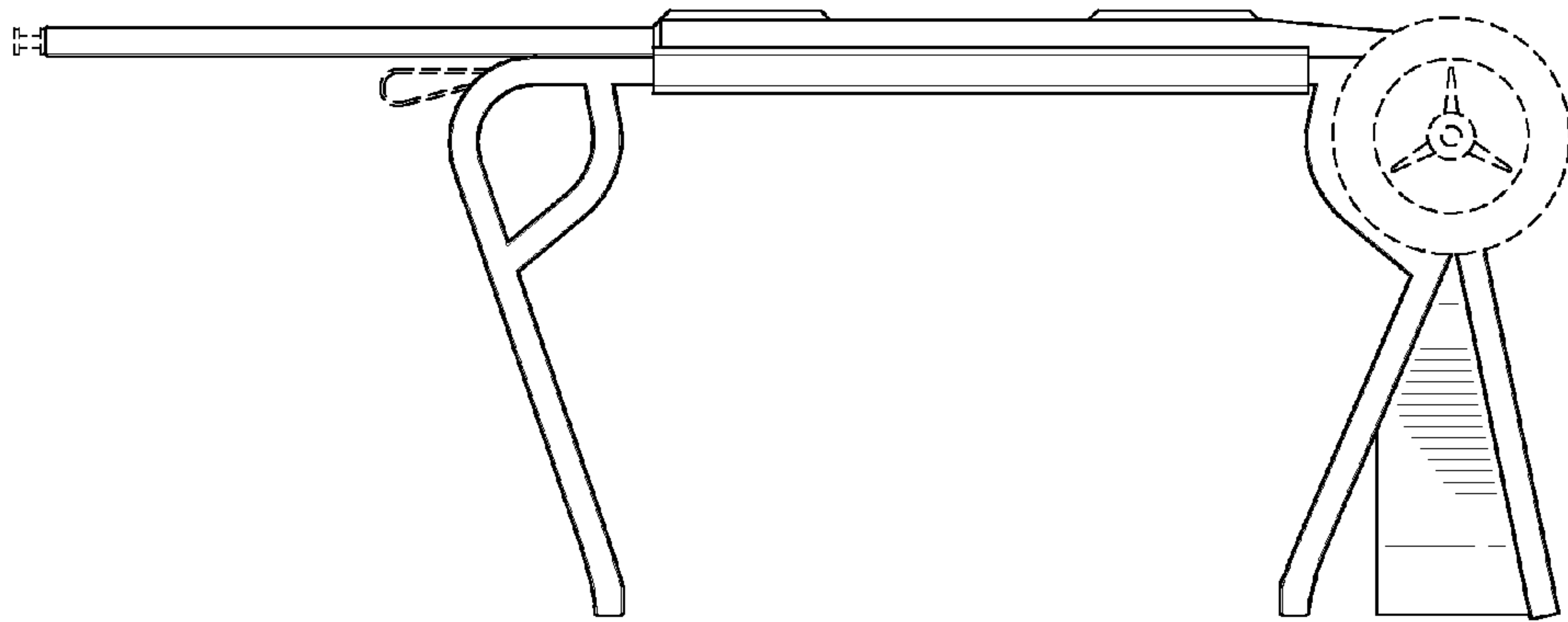


FIG-4

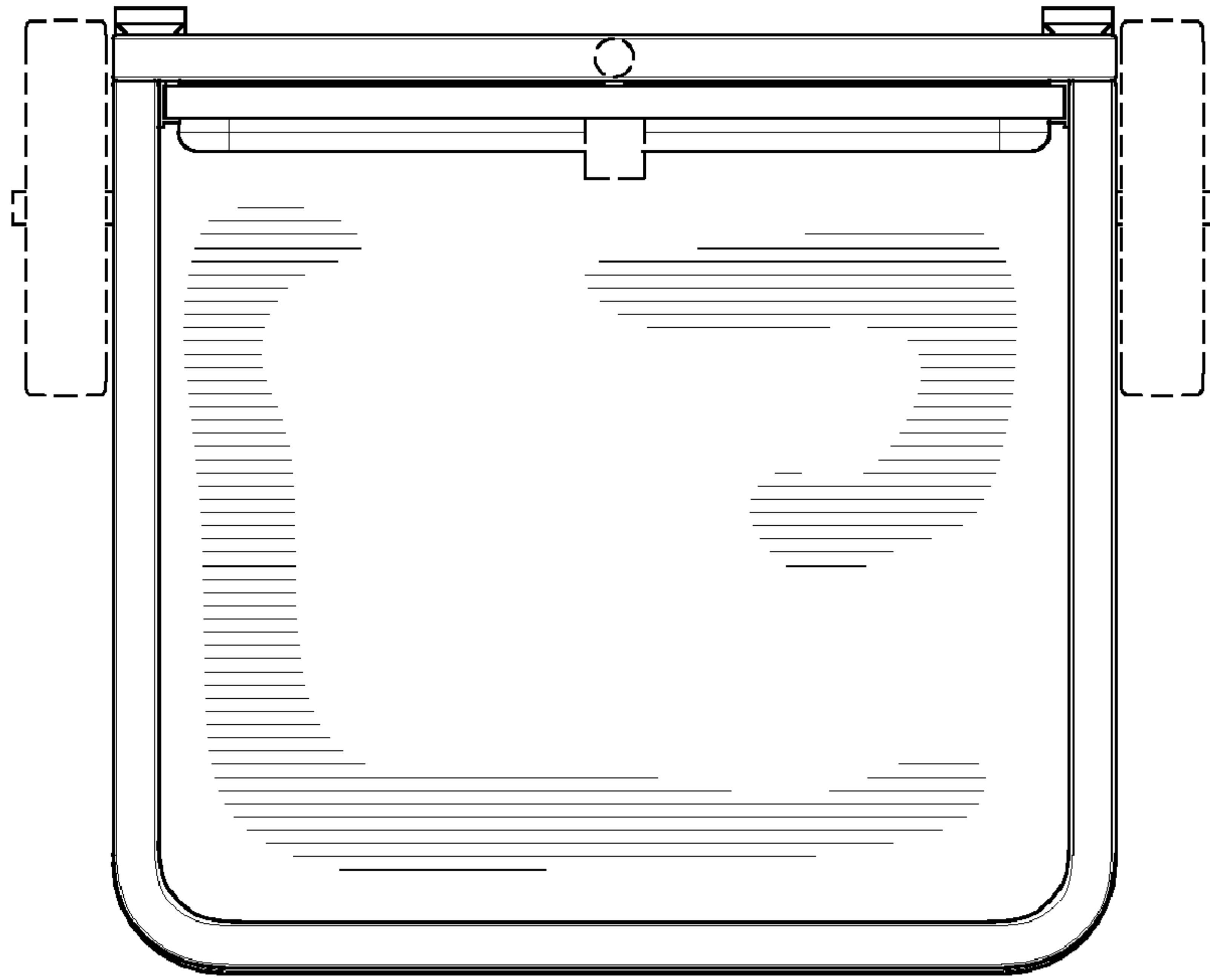


FIG-6

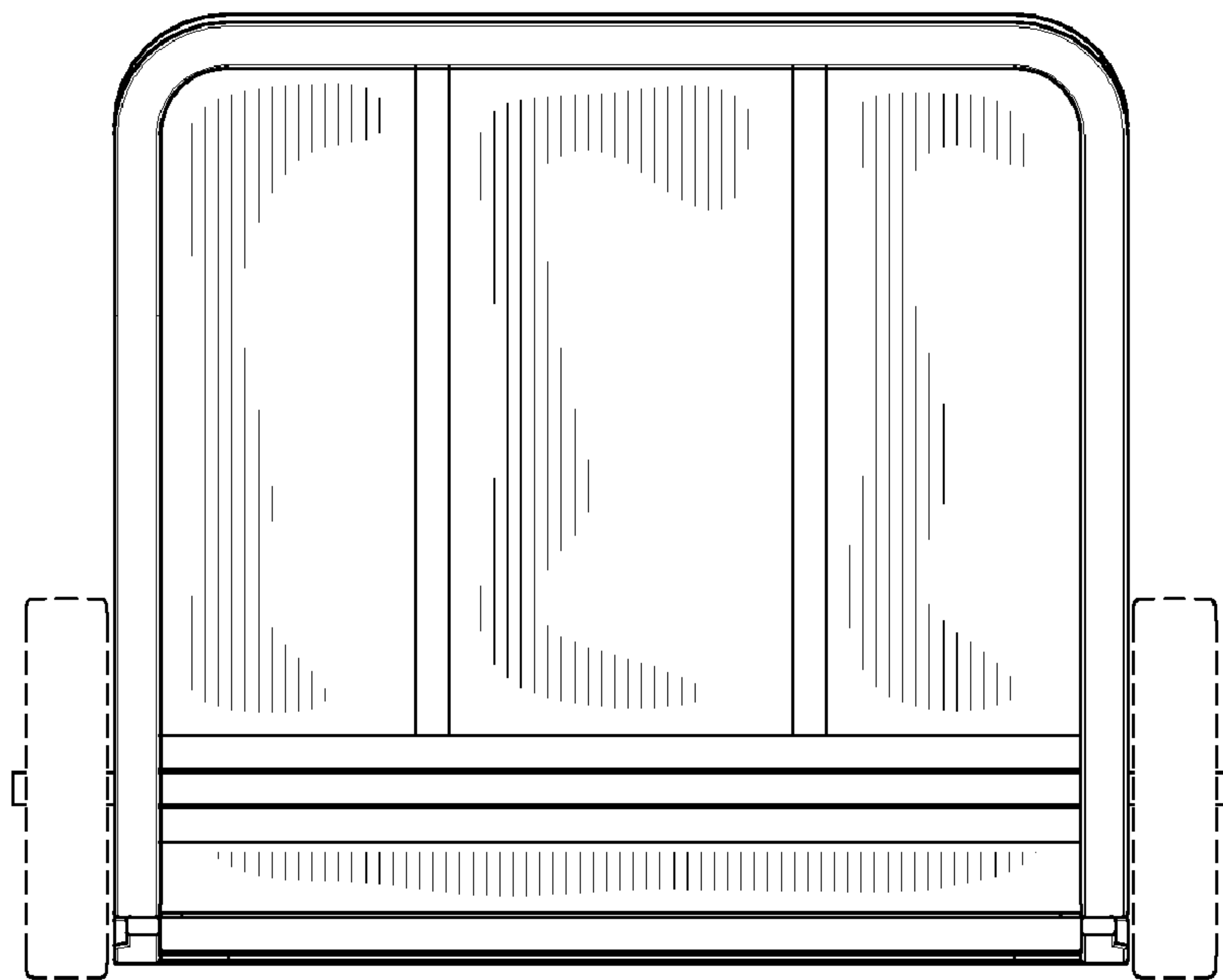


FIG-7

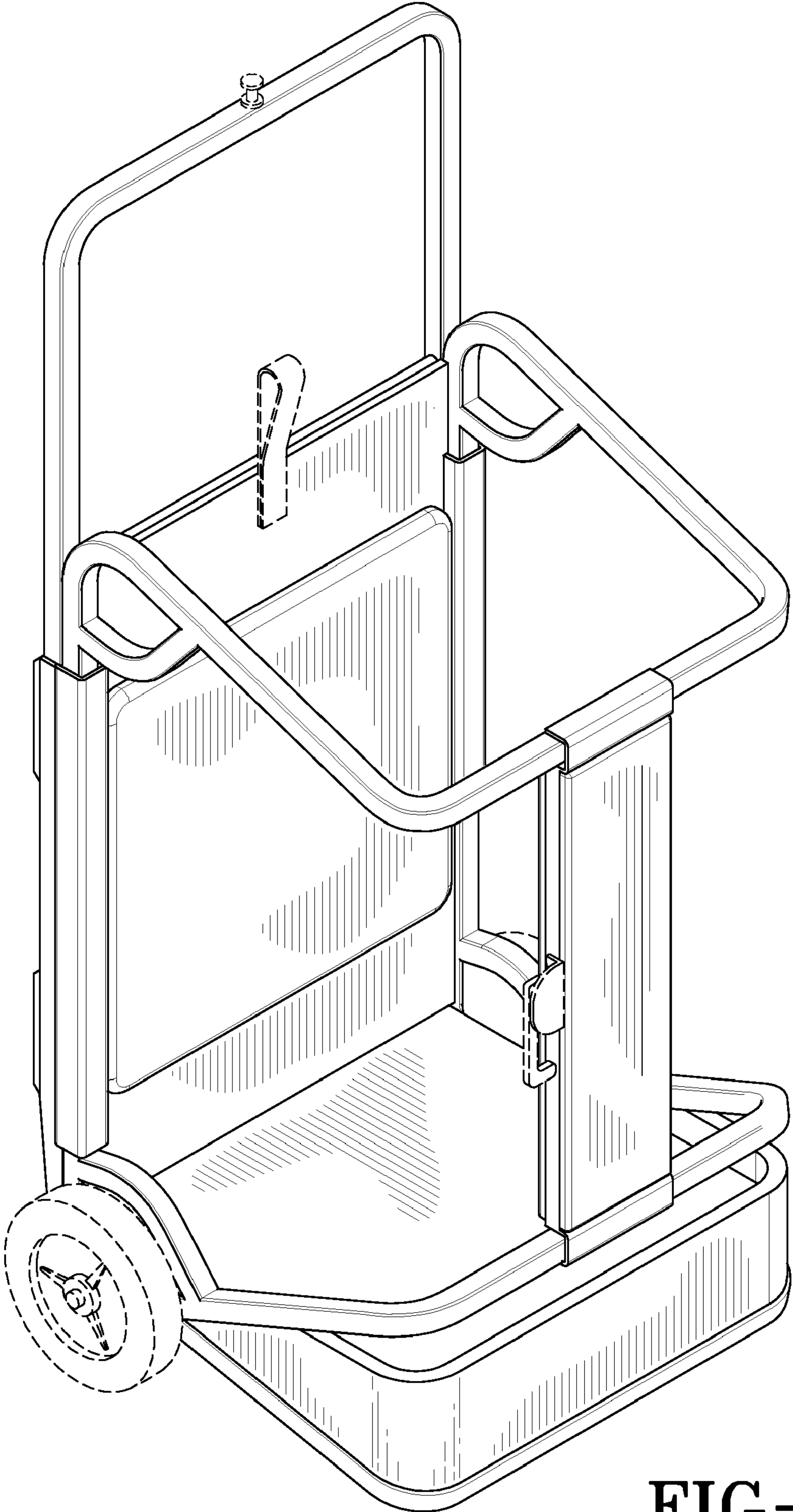


FIG-8

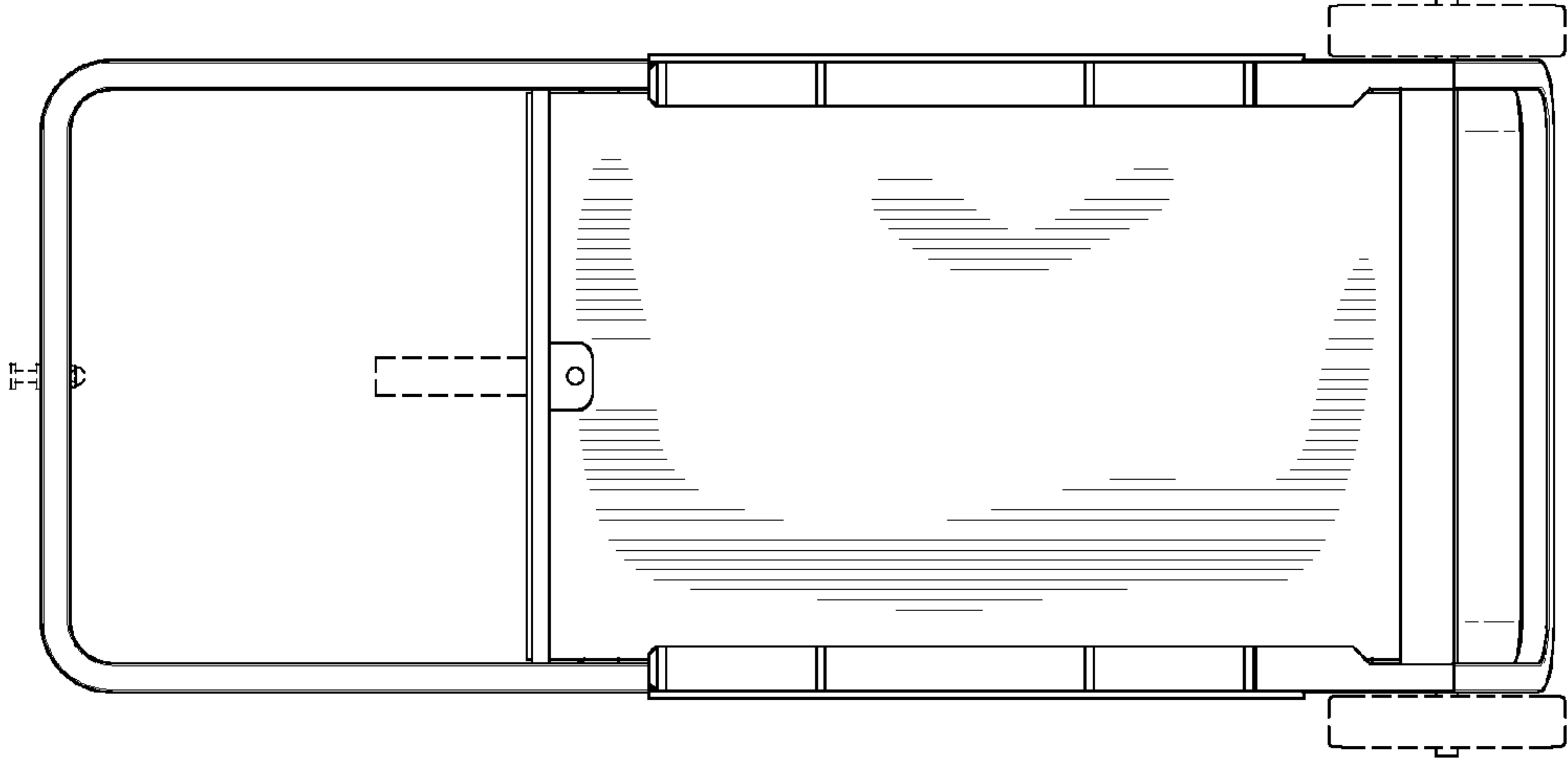


FIG-10

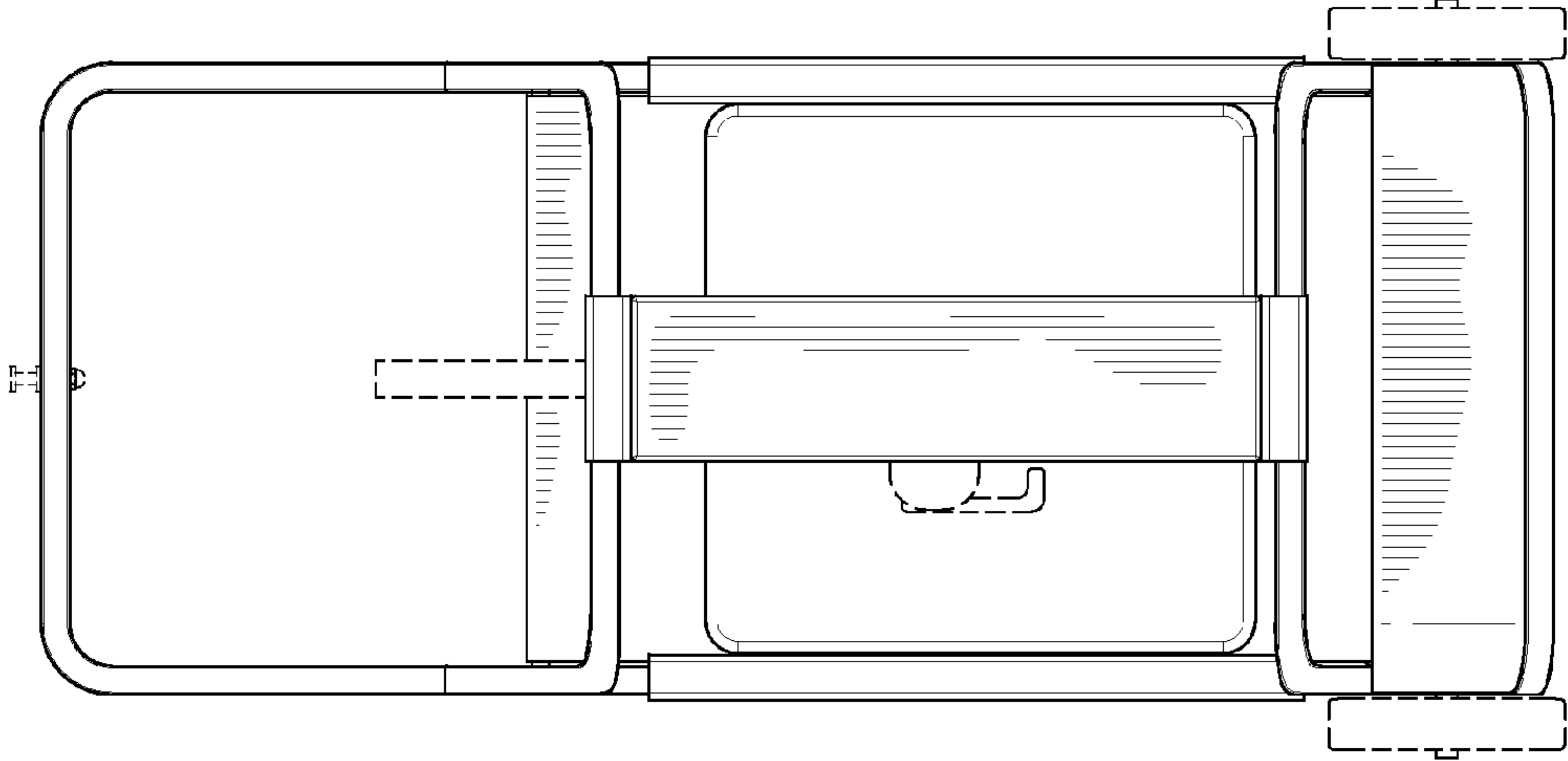


FIG-9

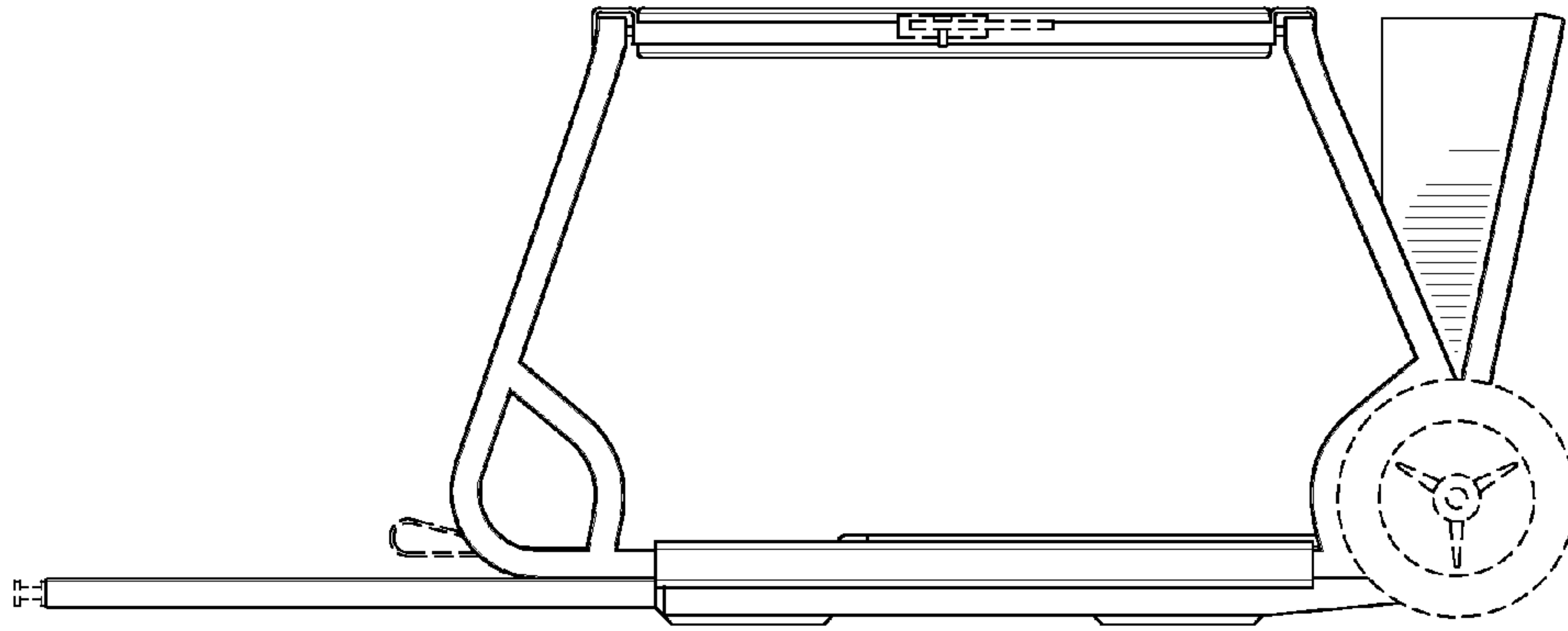


FIG-12

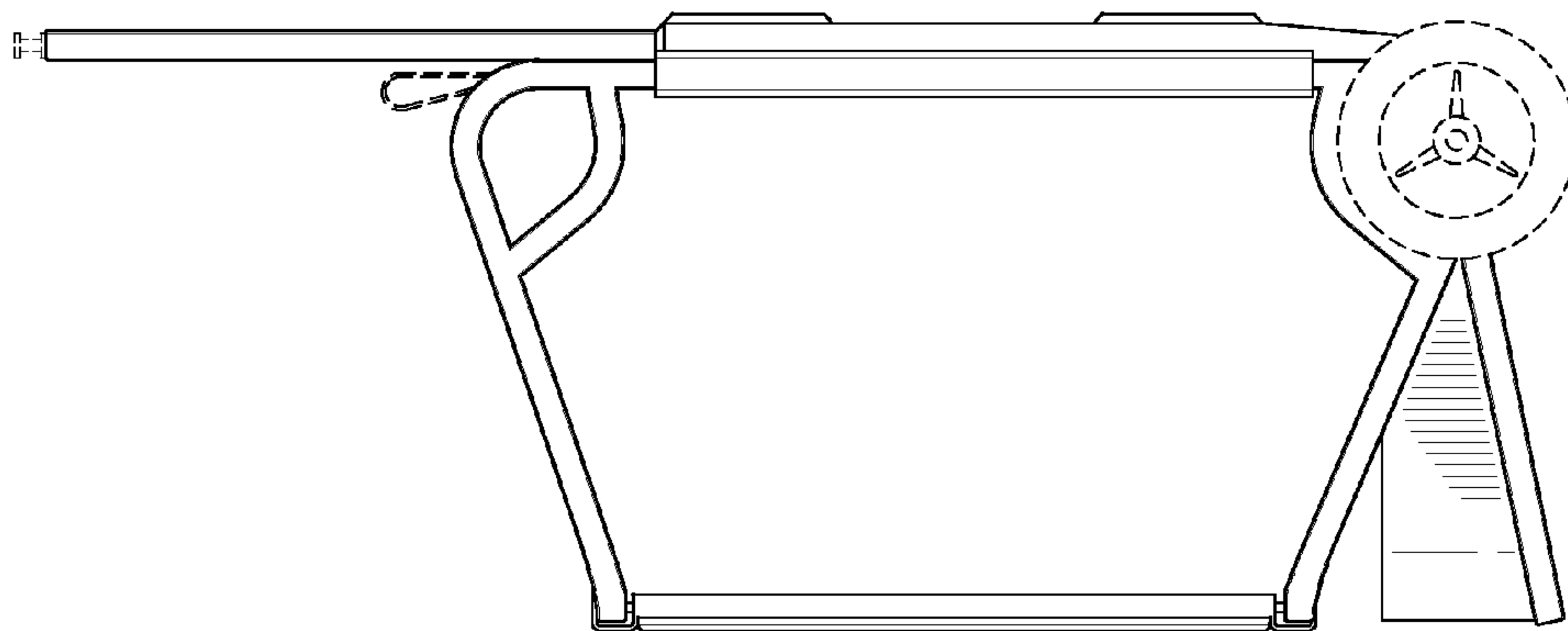


FIG-11

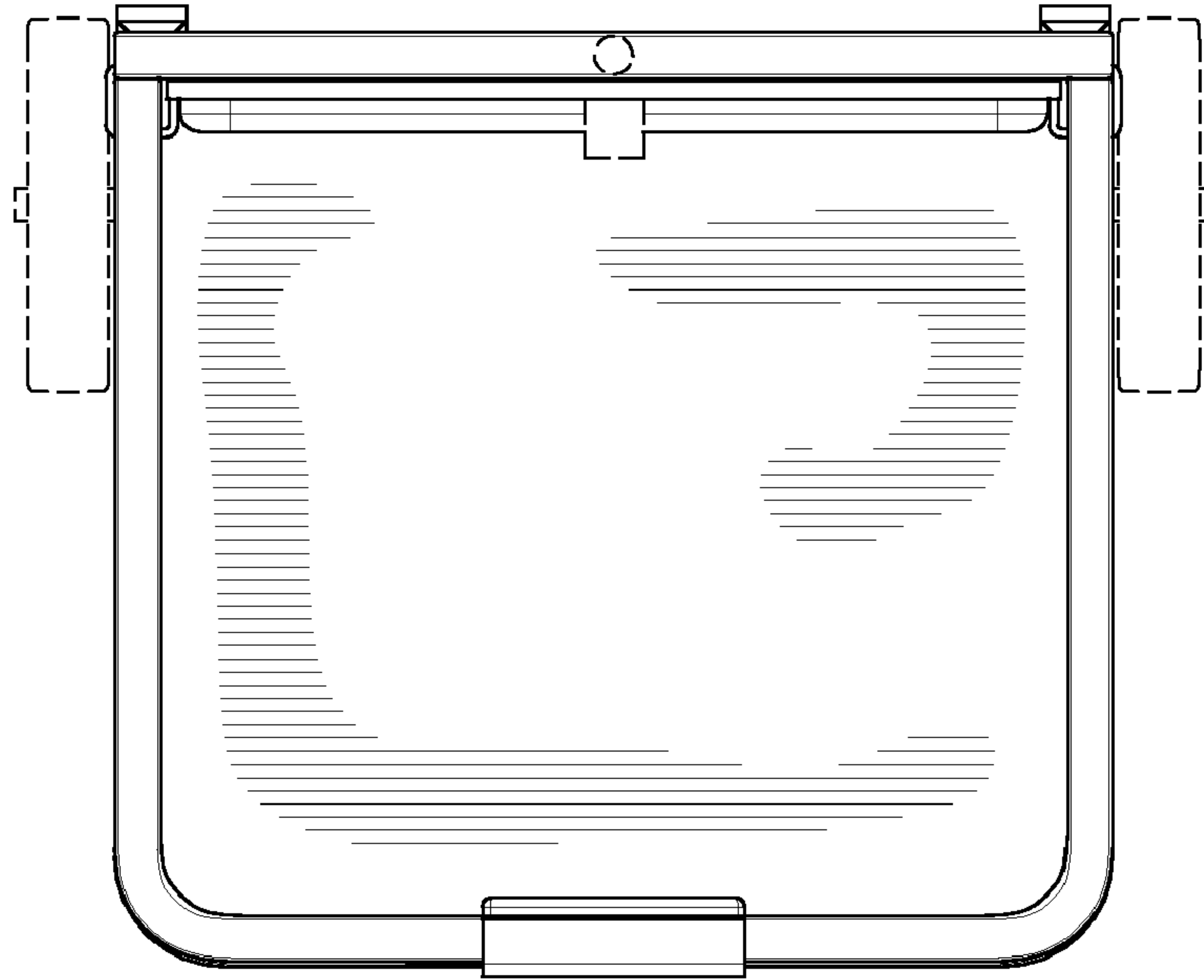


FIG-13

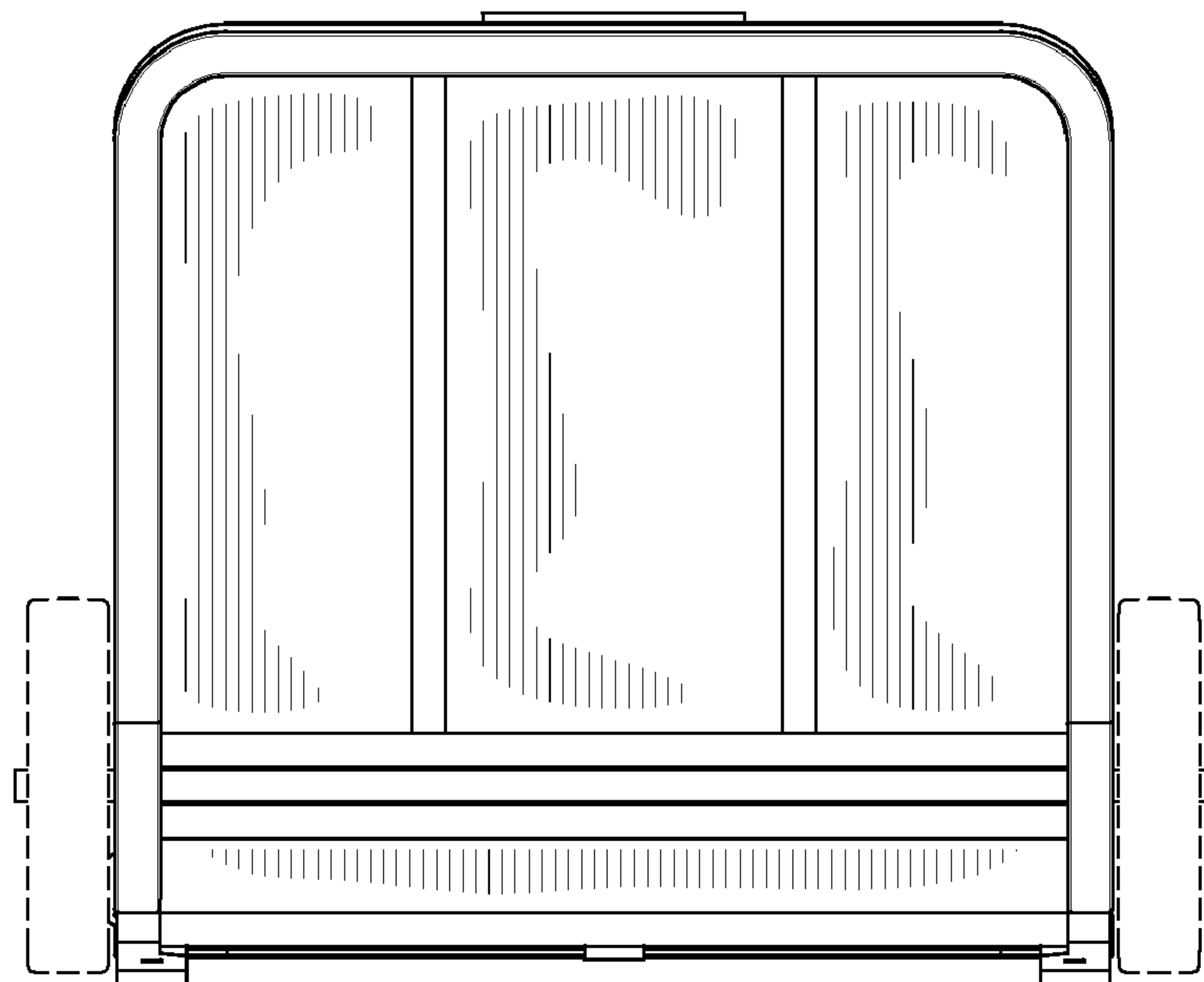


FIG-14