



US00D633270S

(12) **United States Design Patent**
Gimeno et al.

(10) **Patent No.:** **US D633,270 S**
(45) **Date of Patent:** **** Feb. 22, 2011**

(54) **SHOPPING BASKET**

5,988,334 A 11/1999 Caruso

(75) Inventors: **Isabel Gimeno**, Saragossa (ES); **Manuel Rodriguez**, Saragossa (ES); **Jose Antonio Puertolas**, Saragossa (ES)

(Continued)

FOREIGN PATENT DOCUMENTS

(73) Assignee: **Araven, S.L.**, Saragossa (ES)

EP 0780068 6/1997

(**) Term: **14 Years**

(Continued)

(21) Appl. No.: **29/352,675**

OTHER PUBLICATIONS

(22) Filed: **Dec. 23, 2009**

International Search Report and Written Opinion of the International Searching Authority dated, Apr. 19, 2005.

(Continued)

Related U.S. Application Data

(60) Division of application No. 29/306,355, filed on Apr. 8, 2008, which is a continuation-in-part of application No. 11/054,419, filed on Feb. 9, 2005, now Pat. No. 7,431,312.

Primary Examiner—Cynthia E Ramirez

(74) *Attorney, Agent, or Firm*—Katten Muchin Rosenman LLP

(30) **Foreign Application Priority Data**

Nov. 18, 2004 (ES) P200402780

(57) **CLAIM**

The ornamental design for a shopping basket, as shown and described.

(51) **LOC (9) Cl.** **12-02**

(52) **U.S. Cl.** **D34/24**

(58) **Field of Classification Search** D34/12-27;
280/47.38, 47.19, 47.24, 47.26, 79.3
See application file for complete search history.

DESCRIPTION

FIG. 1 is a front perspective view of a shopping basket with the carry handle in the stored position and the extendable handle in the stored position;

FIG. 2 is a front view thereof,

FIG. 3 is a right side view thereof, the left side view thereof being a mirror image of the right side view,

FIG. 4 is a top view thereof,

FIG. 5 is a rear view thereof,

FIG. 6 is a bottom view thereof; and,

FIG. 7 is a rear perspective view thereof with the extendable handle in the extended position.

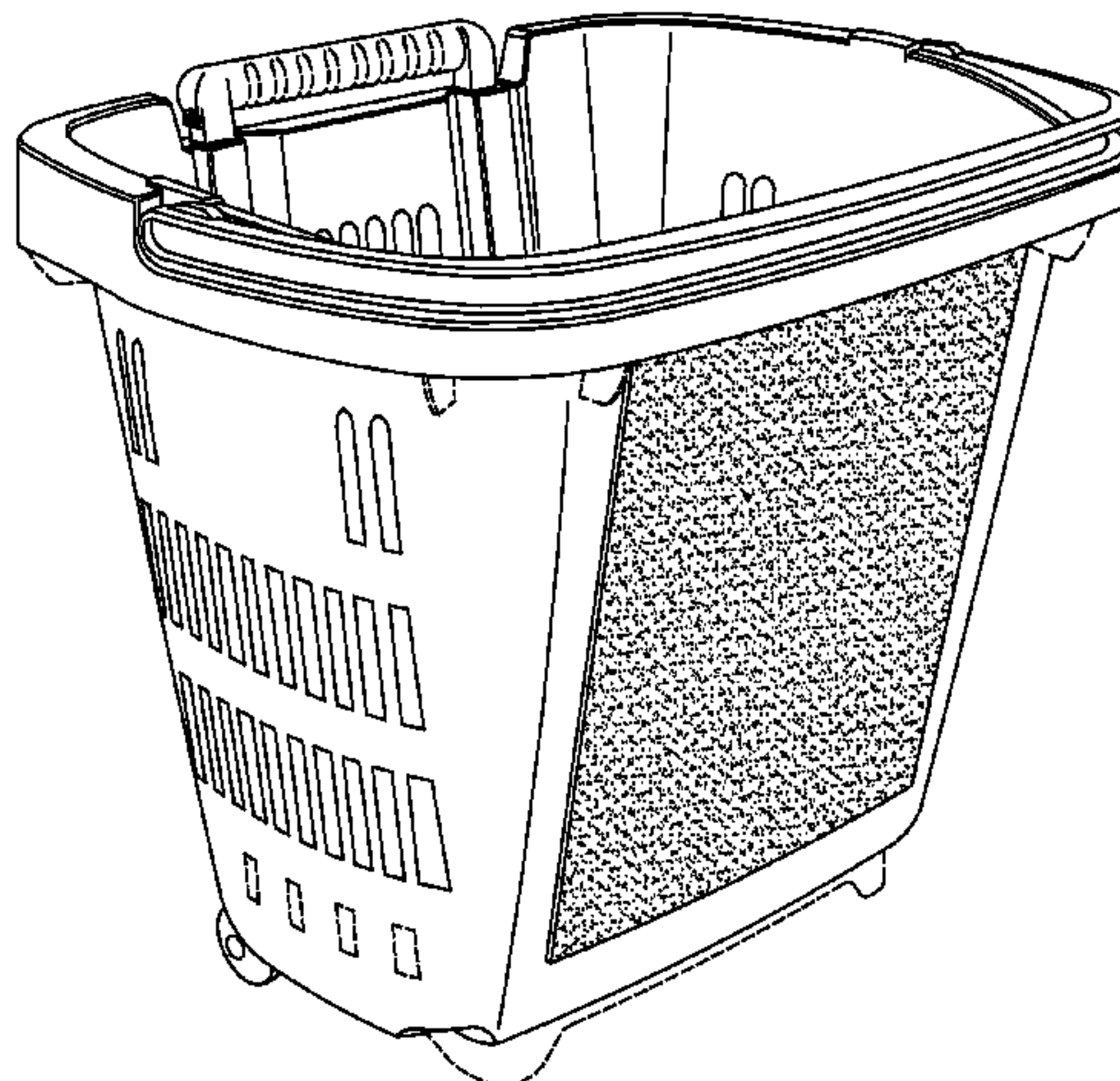
The broken lines are included for the purpose of illustrating portions of the article and form no part of the claimed design.

(56) **References Cited**

U.S. PATENT DOCUMENTS

- 1,689,448 A 10/1928 Moynahan
- 3,346,271 A 10/1967 Parsons
- 3,677,570 A 7/1972 Hedu
- 4,185,848 A 1/1980 Holtz
- 4,217,711 A 8/1980 Spresser et al.
- 4,238,897 A 12/1980 Byers
- 4,765,074 A 8/1988 Loos
- 4,765,077 A 8/1988 Rosenthal et al.
- 4,773,175 A 9/1988 Larsen
- 4,805,331 A 2/1989 Boggess et al.
- 4,871,209 A 10/1989 Handelman
- 5,469,986 A 11/1995 Jang
- 5,901,482 A 5/1999 Sawyer et al.

1 Claim, 7 Drawing Sheets



US D633,270 S

Page 2

U.S. PATENT DOCUMENTS

6,036,204 A 3/2000 Craft et al.
6,079,720 A 6/2000 Spear et al.
6,116,390 A 9/2000 Cohen
6,179,176 B1 1/2001 Saggese et al.
6,193,033 B1 2/2001 Sadow et al.
D440,020 S 4/2001 Ronson et al.
6,349,951 B1 2/2002 Morgensen et al.
6,431,580 B1 8/2002 Kady
D468,619 S 1/2003 Nofziger et al.
6,543,795 B1 4/2003 Merced Ferrer
6,651,992 B1 11/2003 Smith
D486,619 S 2/2004 Rivera et al.
D533,327 S * 12/2006 McCaskill D34/17
D544,159 S 6/2007 McCoy et al.
D546,511 S 7/2007 Luster et al.
7,252,295 B2 * 8/2007 Bludworth 280/33.991
D563,620 S * 3/2008 Dong D34/19
7,494,136 B2 * 2/2009 Alves et al. 280/33.998
2002/0171288 A1 11/2002 Ahlgren
2005/0087415 A1 4/2005 Gorga et al.
2005/0140119 A1 6/2005 Wong
2006/0103087 A1 * 5/2006 Alcala Sebastian 280/47.26
2008/0309036 A1 * 12/2008 Overland 280/33.992

FOREIGN PATENT DOCUMENTS

EP 1407956 4/2004

ES 1000984 12/1986
ES 1027023 2/1994
ES 1032273 10/1995
ES 2159178 9/2001
WO WO 98 13269 4/1998

OTHER PUBLICATIONS

European Patent Application 1834539—Araven S.A. Observations under Article 115 EPC.
Non-final Office Action dated Sep. 29, 2009, from corresponding U.S. Appl. No. 29/306,355.
Non-final Office Action dated Jan. 27, 2010, from corresponding U.S. Appl. No. 29/306,355.
Non-final Office Action dated May 11, 2009 from corresponding U.S. Appl. No. 12/190,142.
Final Office Action dated Jan. 7, 2010 from corresponding U.S. Appl. No. 12/190,142.
Final Office Action dated Jan. 13, 2010 from corresponding U.S. Appl. No. 12/190,142.
Non-final Office Action dated Feb. 6, 2007 from corresponding U.S. Appl. No. 11/054,419.
Final Office Action dated Jul. 18, 2007 from corresponding U.S. Appl. No. 11/054,419.
U.S. Office Action dated Jul. 8, 2010, from corresponding U.S. Appl. No. 29/352,677.

* cited by examiner

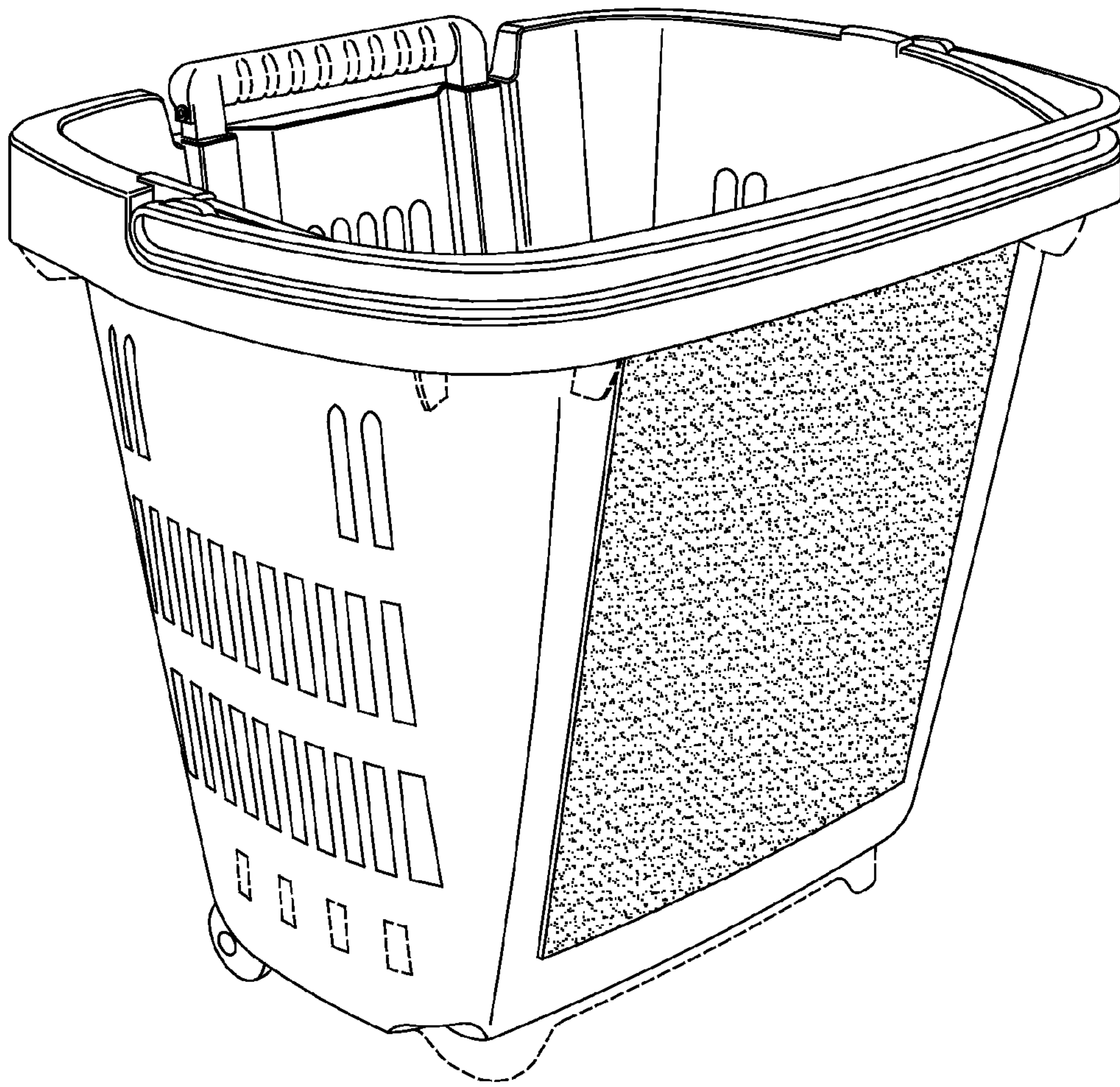


FIG. 1

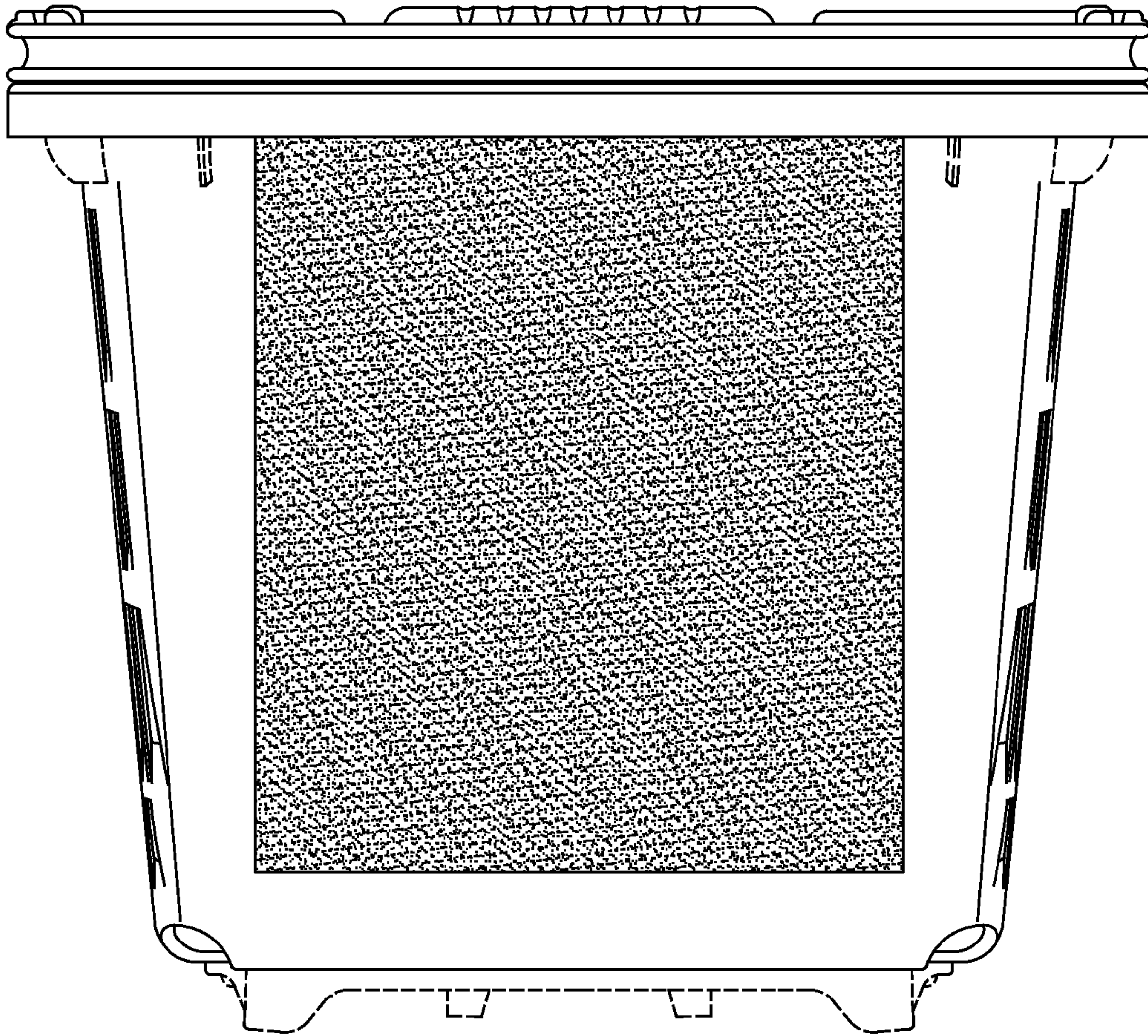


FIG. 2

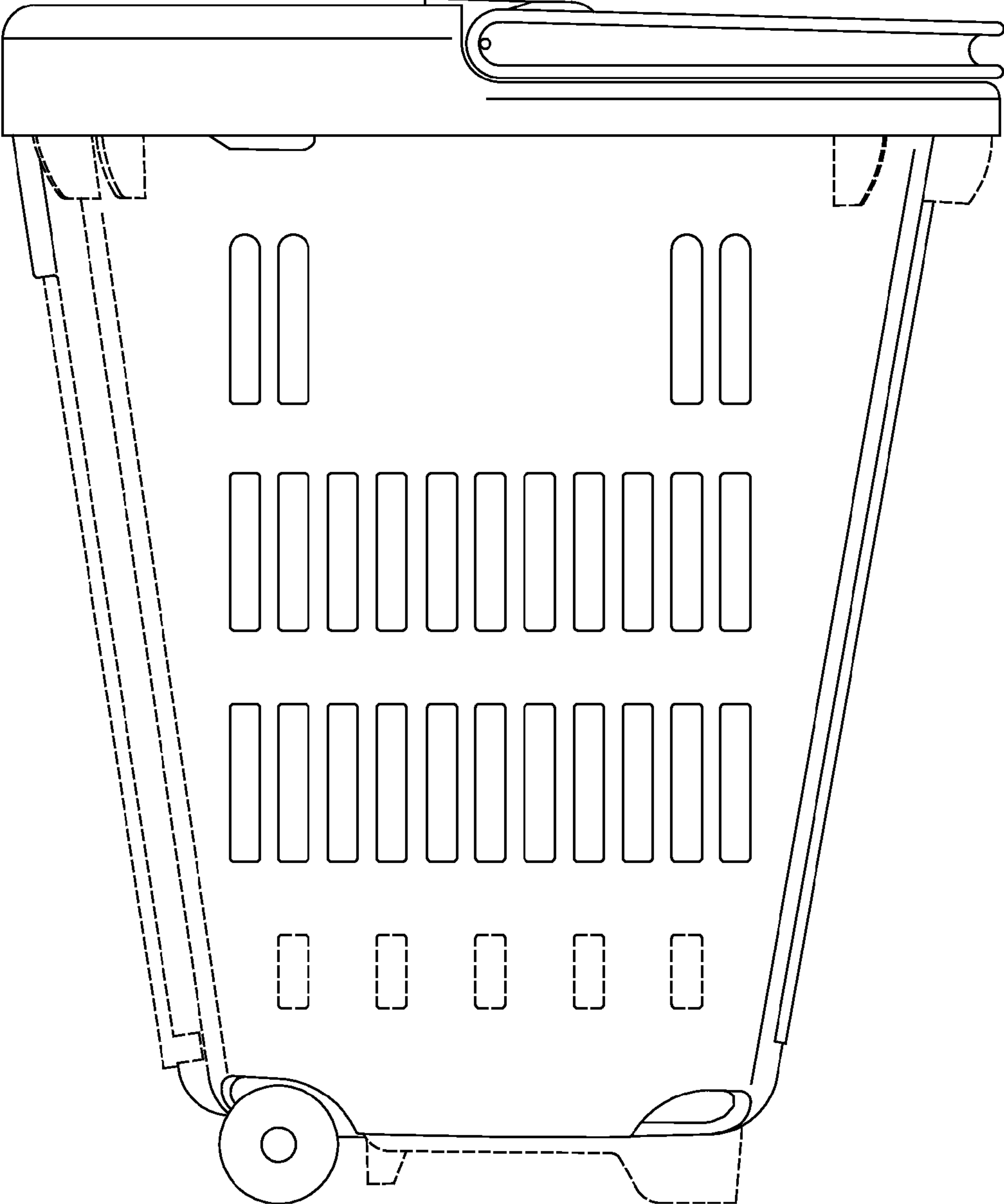


FIG. 3

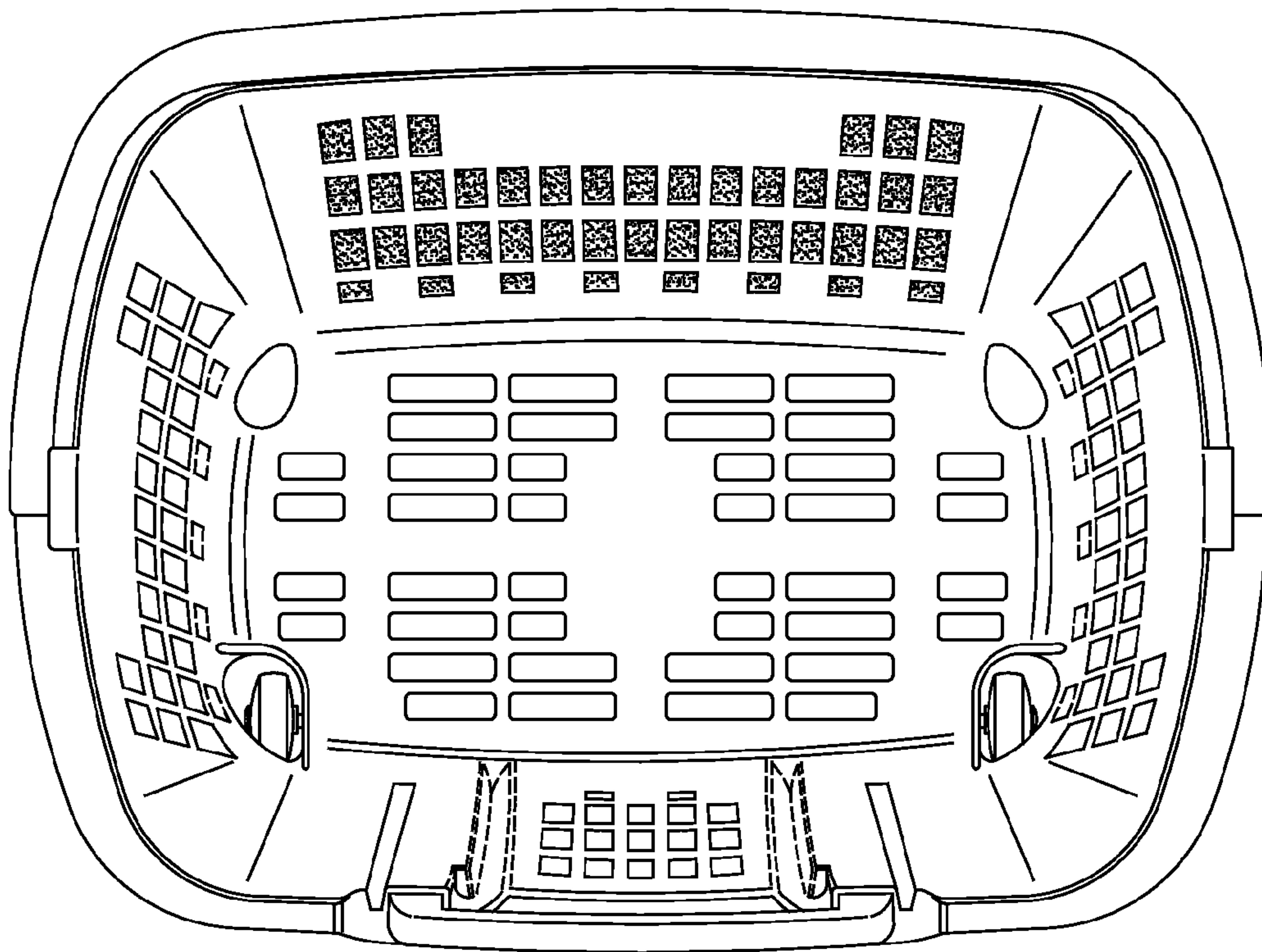


FIG. 4

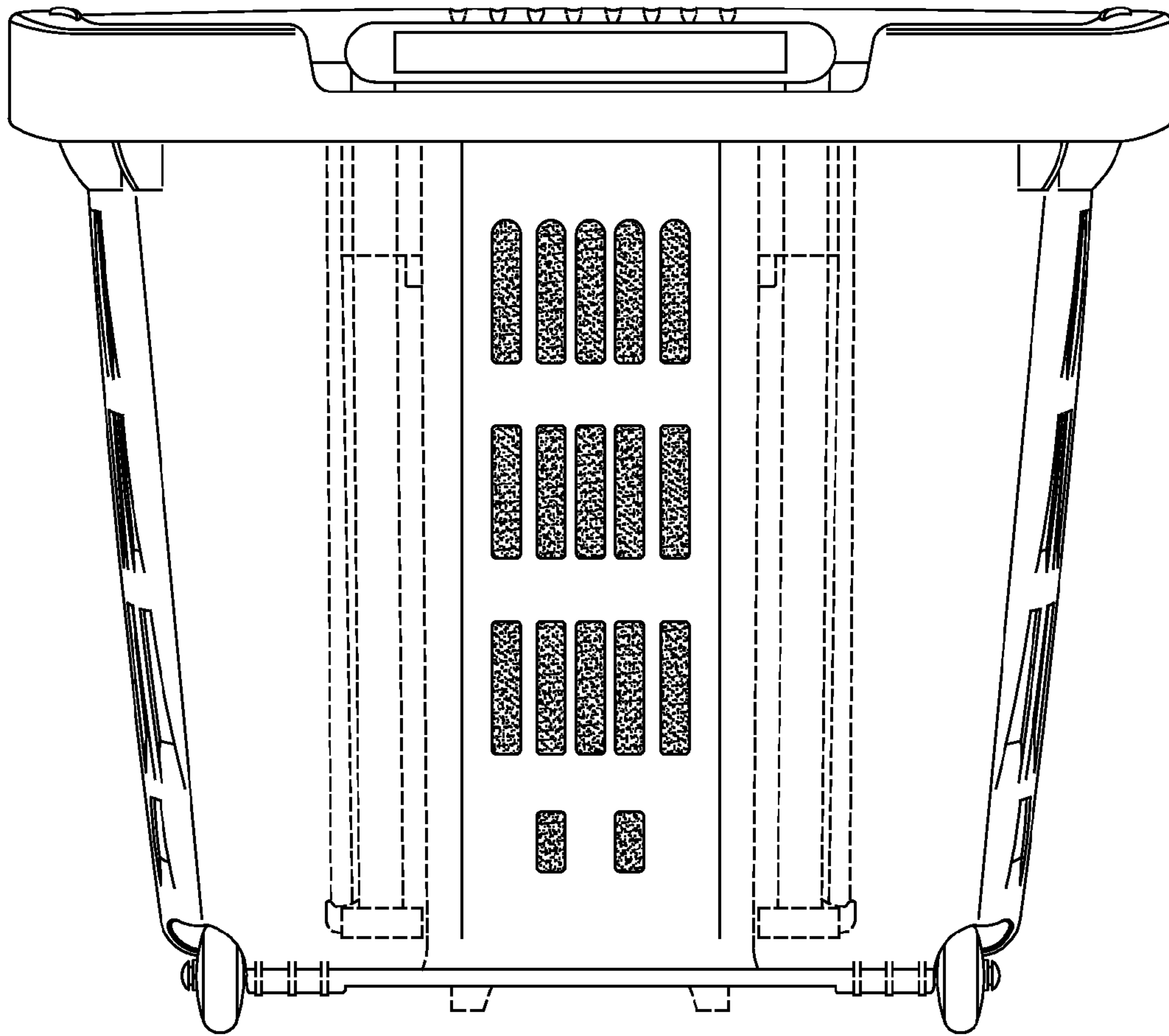


FIG. 5

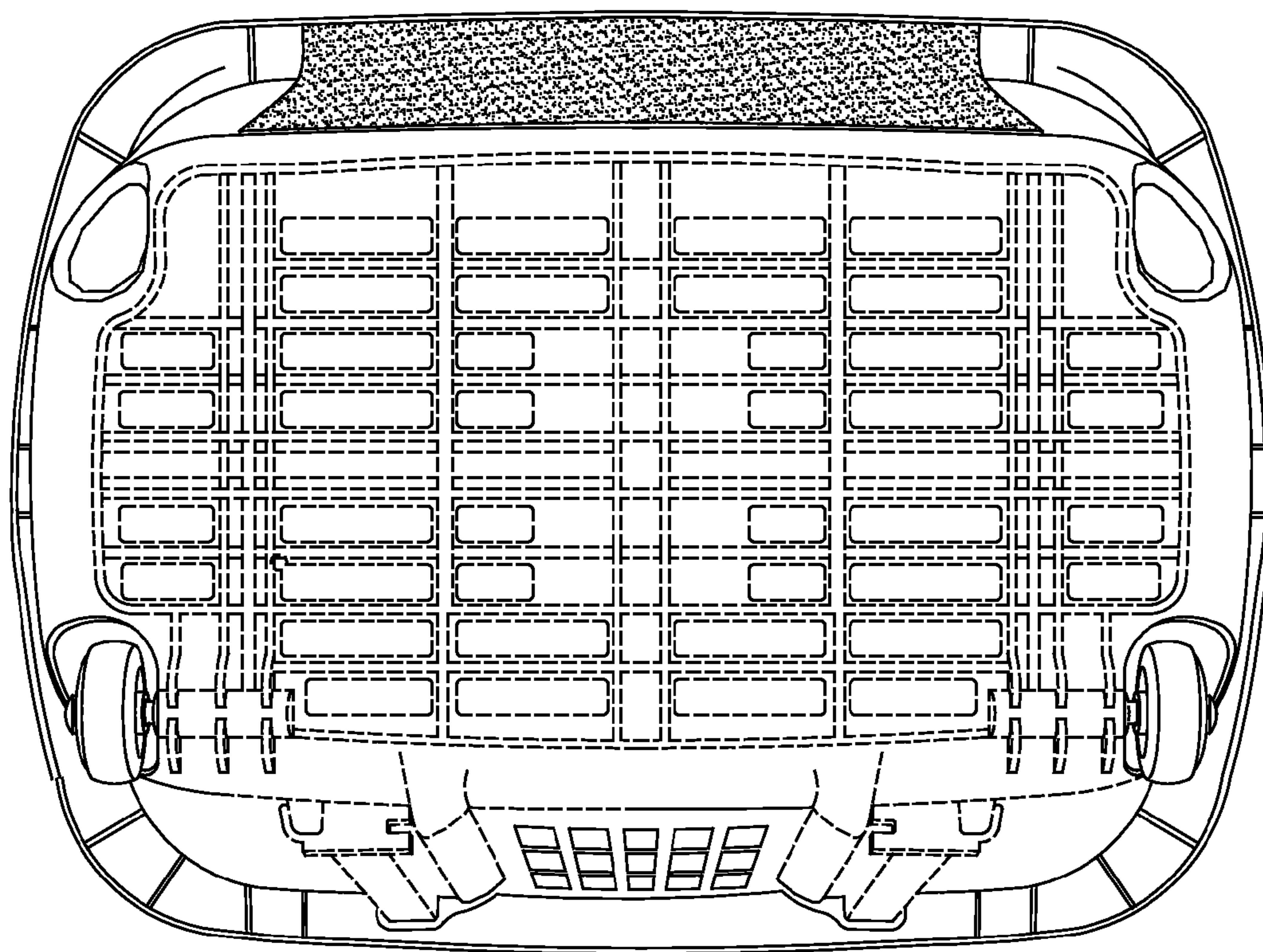


FIG. 6

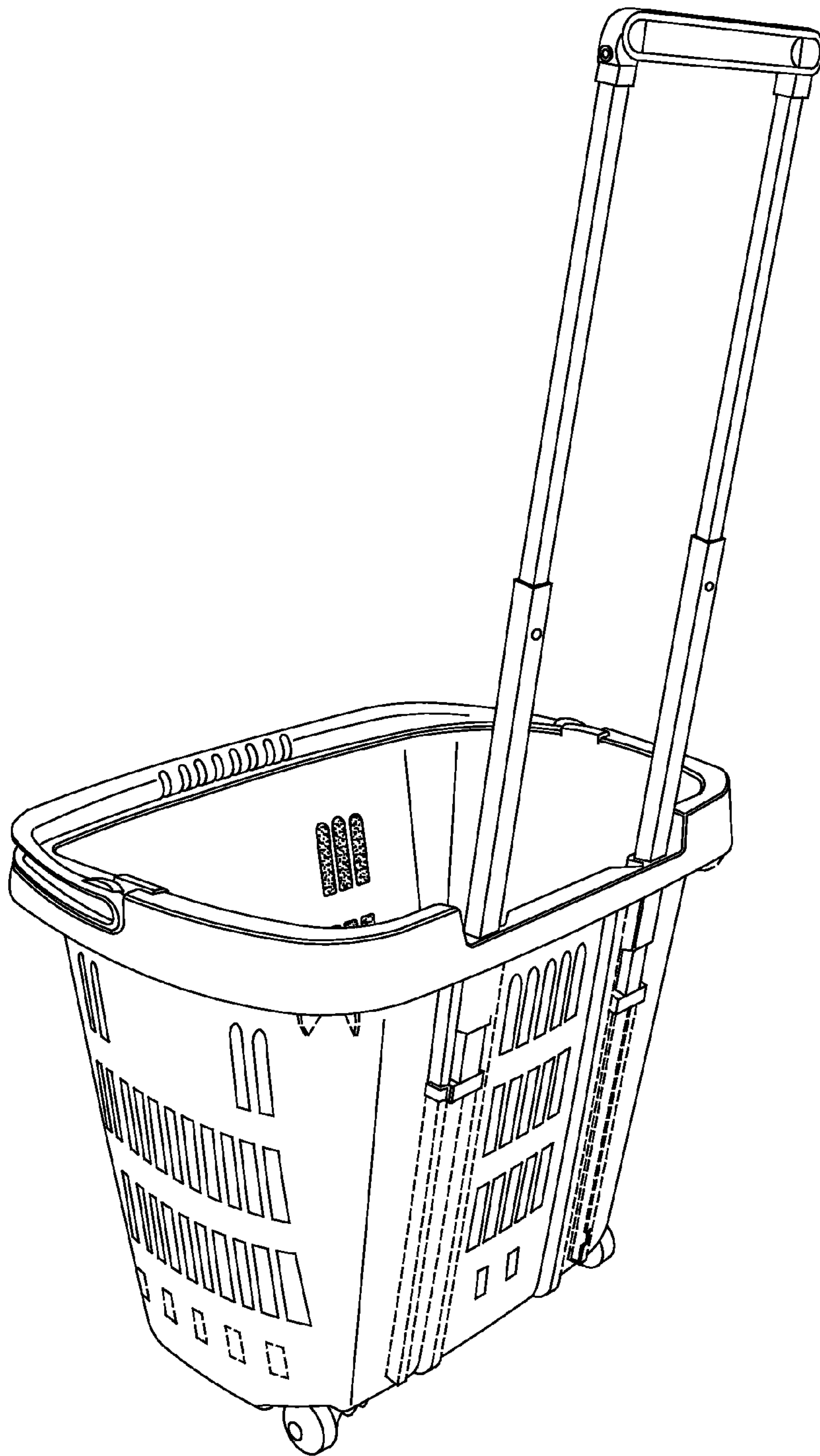


FIG. 7

UNITED STATES PATENT AND TRADEMARK OFFICE
CERTIFICATE OF CORRECTION

PATENT NO. : D633,270 S
APPLICATION NO. : 29/352675
DATED : February 22, 2011
INVENTOR(S) : Isabel Gimeno et al.

Page 1 of 1

It is certified that error appears in the above-identified patent and that said Letters Patent is hereby corrected as shown below:

On the Title Page, item (75) should read as follows:

Item (75) Inventors: Isabel Gimeno, Zaragoza (ES);
Manuel Rodriguez, Zaragoza (ES);
Jose Antonio Puertolas, Zaragoza (ES)

On the Title Page, item (73) should read as follows:

Item (73) Assignee: Araven S.L., Zaragoza (ES)

The following are added to the Title Page in the left column:

Item --(30) Foreign Application Priority Data

Nov. 18, 2004	(ES)	P200402780
Oct. 8, 2007	(EP)	803887-0001
Oct. 8, 2007	(EP)	803887-0002
Oct. 8, 2007	(EP)	803887-0003
Oct. 8, 2007	(EP)	803887-0004--

Signed and Sealed this
Twenty-third Day of August, 2011



David J. Kappos
Director of the United States Patent and Trademark Office