



US00D633267S

(12) **United States Design Patent**
Caleca

(10) **Patent No.:** **US D633,267 S**

(45) **Date of Patent:** **** Feb. 22, 2011**

(54) **DUSTPAN**

D586,970 S * 2/2009 Berti D32/74
D599,073 S * 8/2009 Caleca D32/74

(76) Inventor: **Serge Caleca**, 2920 Cantegra Glen,
Escondido, CA (US) 92025

* cited by examiner

(**) Term: **14 Years**

Primary Examiner—Rosemary K Tarcza
(74) *Attorney, Agent, or Firm*—InterContinental IP; Eric A.
Hanscom; Todd J. Langford

(21) Appl. No.: **29/331,491**

(22) Filed: **Jan. 27, 2009**

(57) **CLAIM**

(51) **LOC (9) Cl.** **07-05**

The ornamental design for a dustpan, as shown and described.

(52) **U.S. Cl.** **D32/74**

(58) **Field of Classification Search** D32/74;
D4/199; D34/1; 15/159.1, 160, 149, 257.1–257.4,
15/257.6–257.9

DESCRIPTION

See application file for complete search history.

FIG. 1 is a perspective view of a dustpan incorporating my
new design;

FIG. 2 is a top view thereof;

FIG. 3 is a bottom view thereof;

FIG. 4 is a cross-sectional view thereof, taken along line
IV—IV of FIG. 5;

FIG. 5 is a front view thereof; and,

FIG. 6 is a back view thereof.

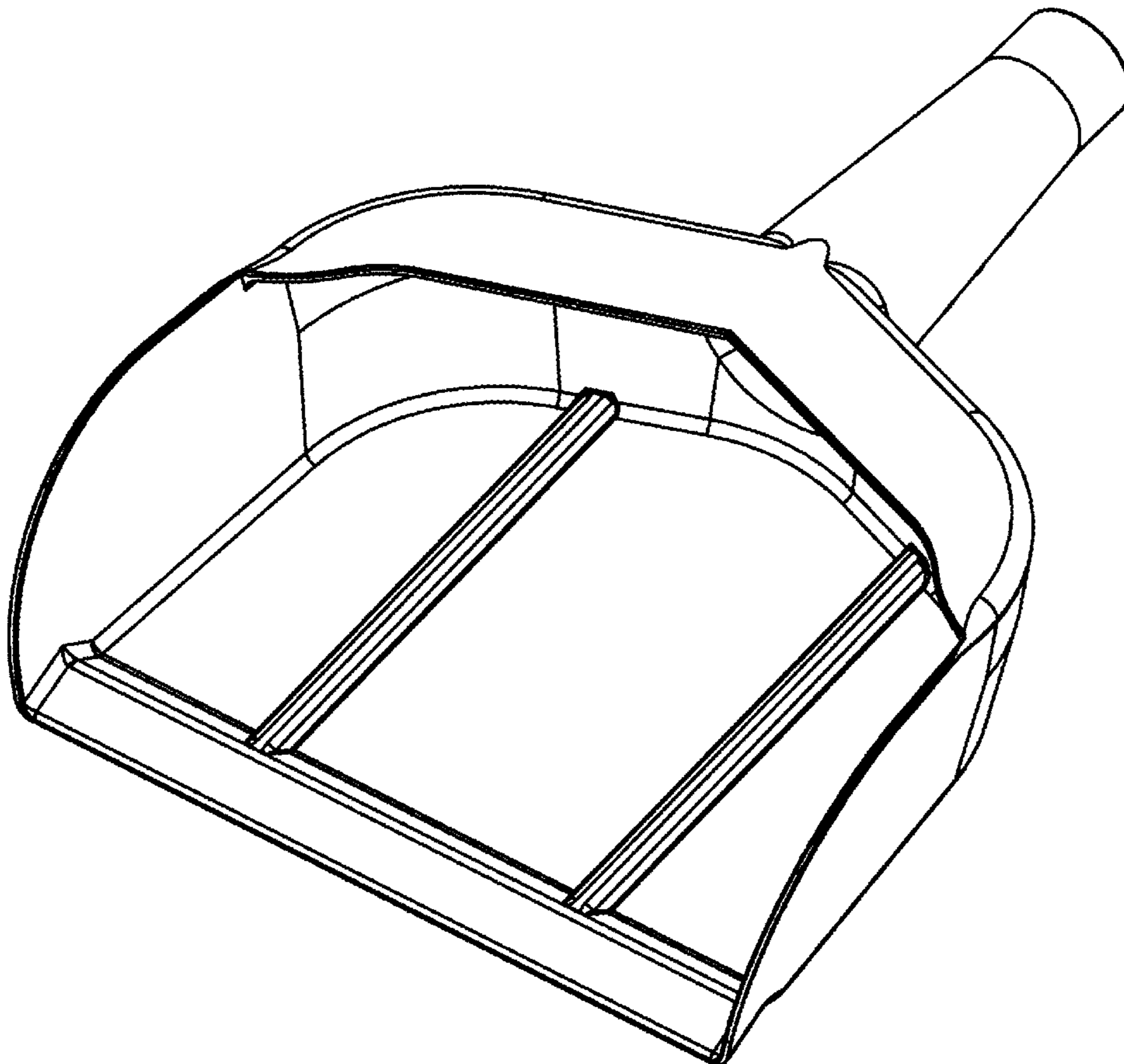
The left and right sides of the invention are symmetric.

(56) **References Cited**

U.S. PATENT DOCUMENTS

1,106,282	A	*	8/1914	Coats	15/257.1
1,384,076	A	*	7/1921	McCallan	15/257.9
D166,226	S	*	3/1952	Roop	D32/74
D367,745	S	*	3/1996	Feldman et al.	D32/74
D510,165	S	*	9/2005	Berti	D32/74
D556,968	S	*	12/2007	Juergens	D32/72

1 Claim, 6 Drawing Sheets



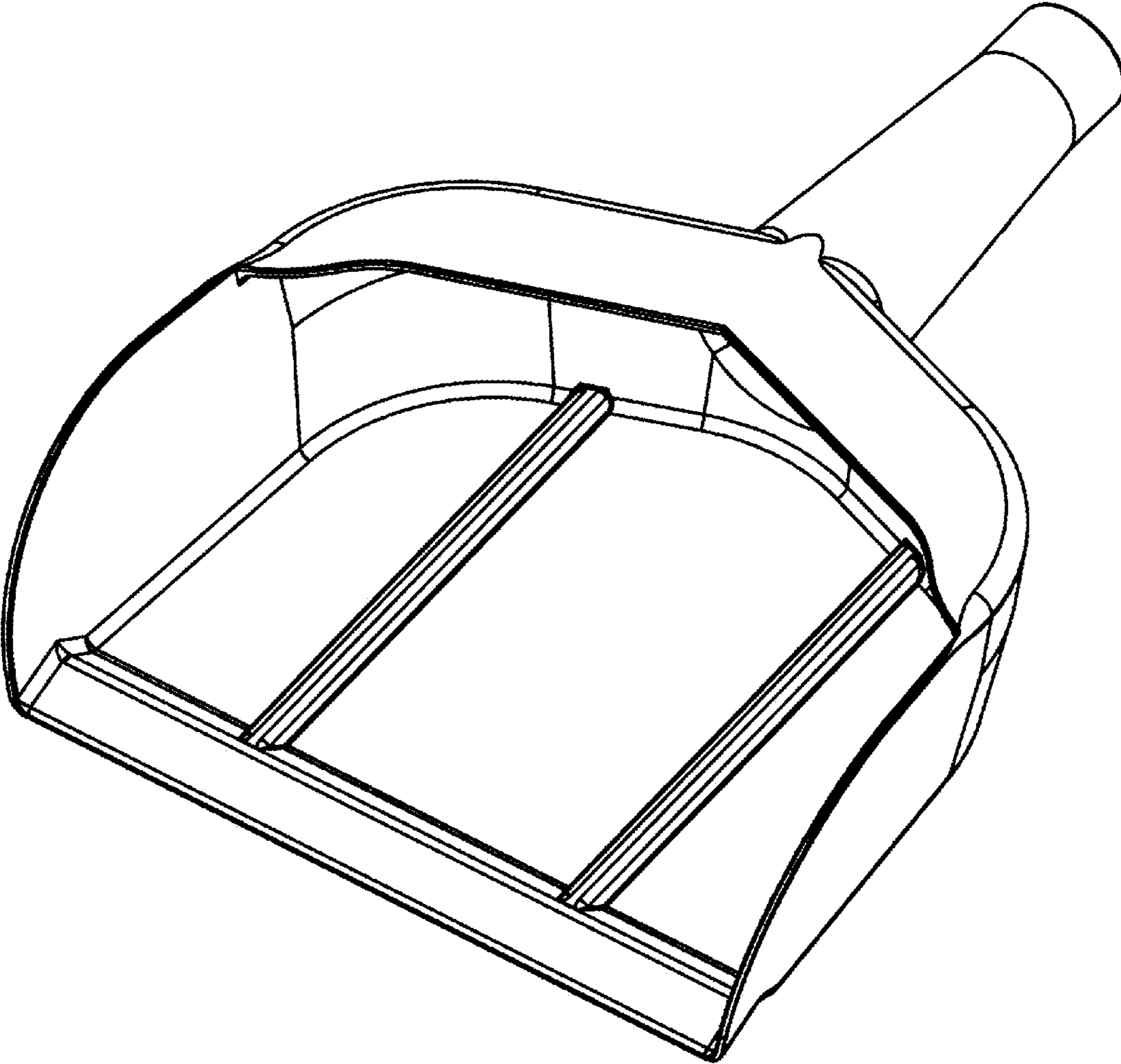


Figure 1

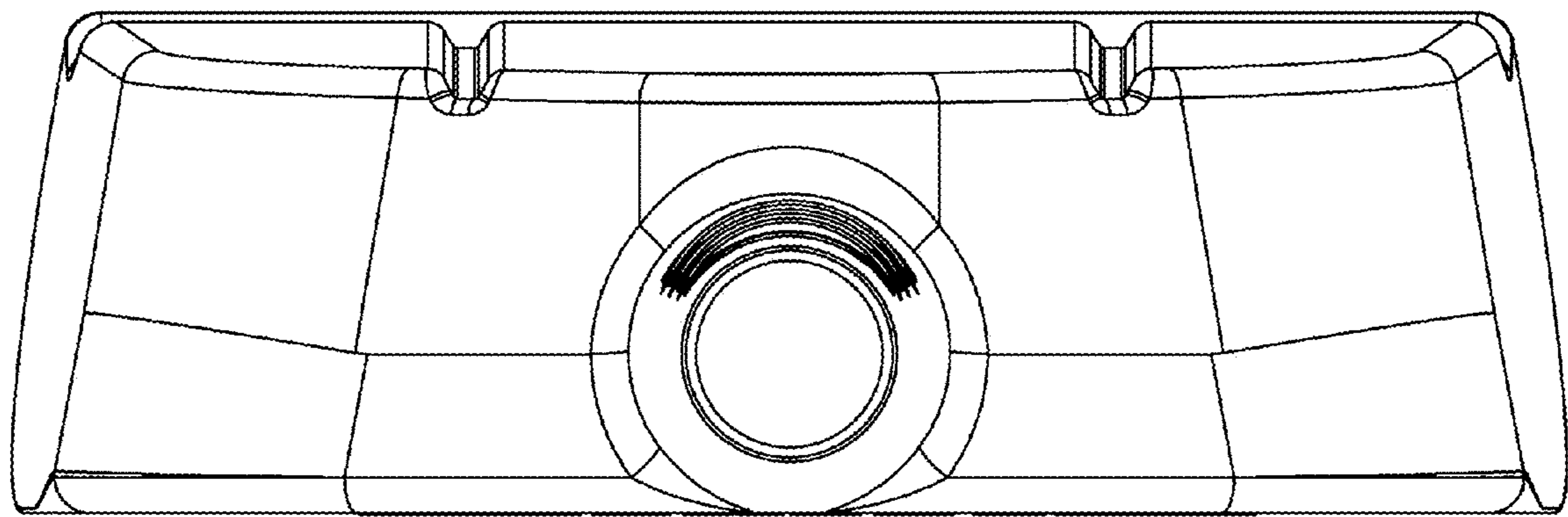


Figure 2

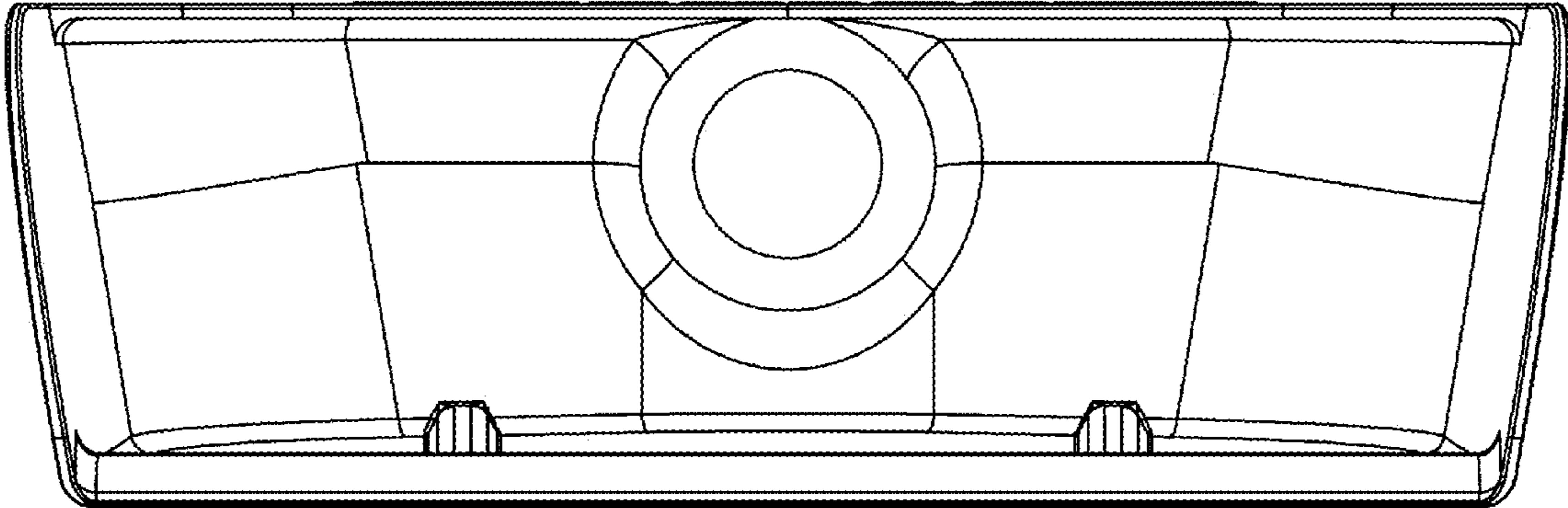


Figure 3

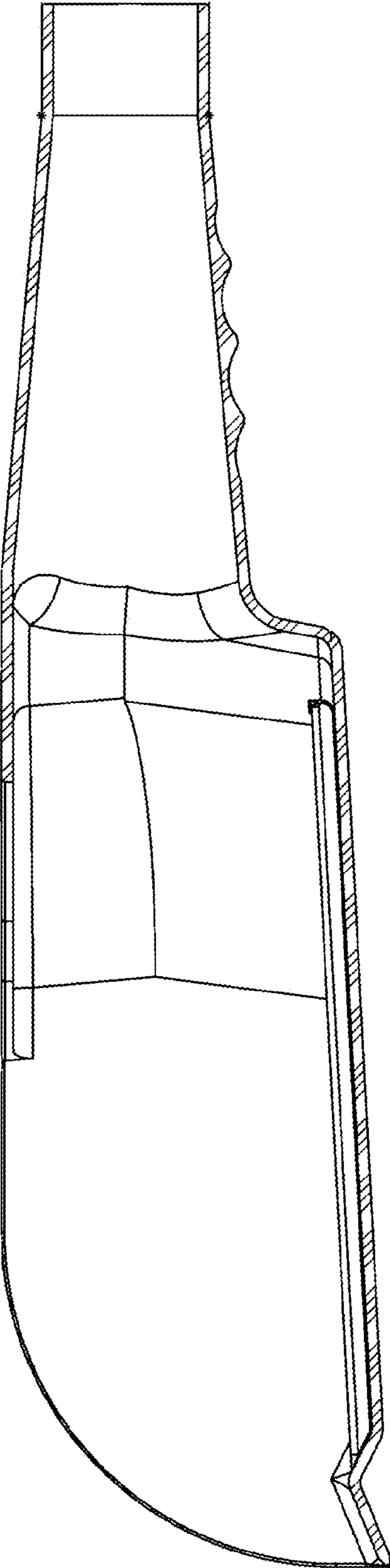


Figure 4

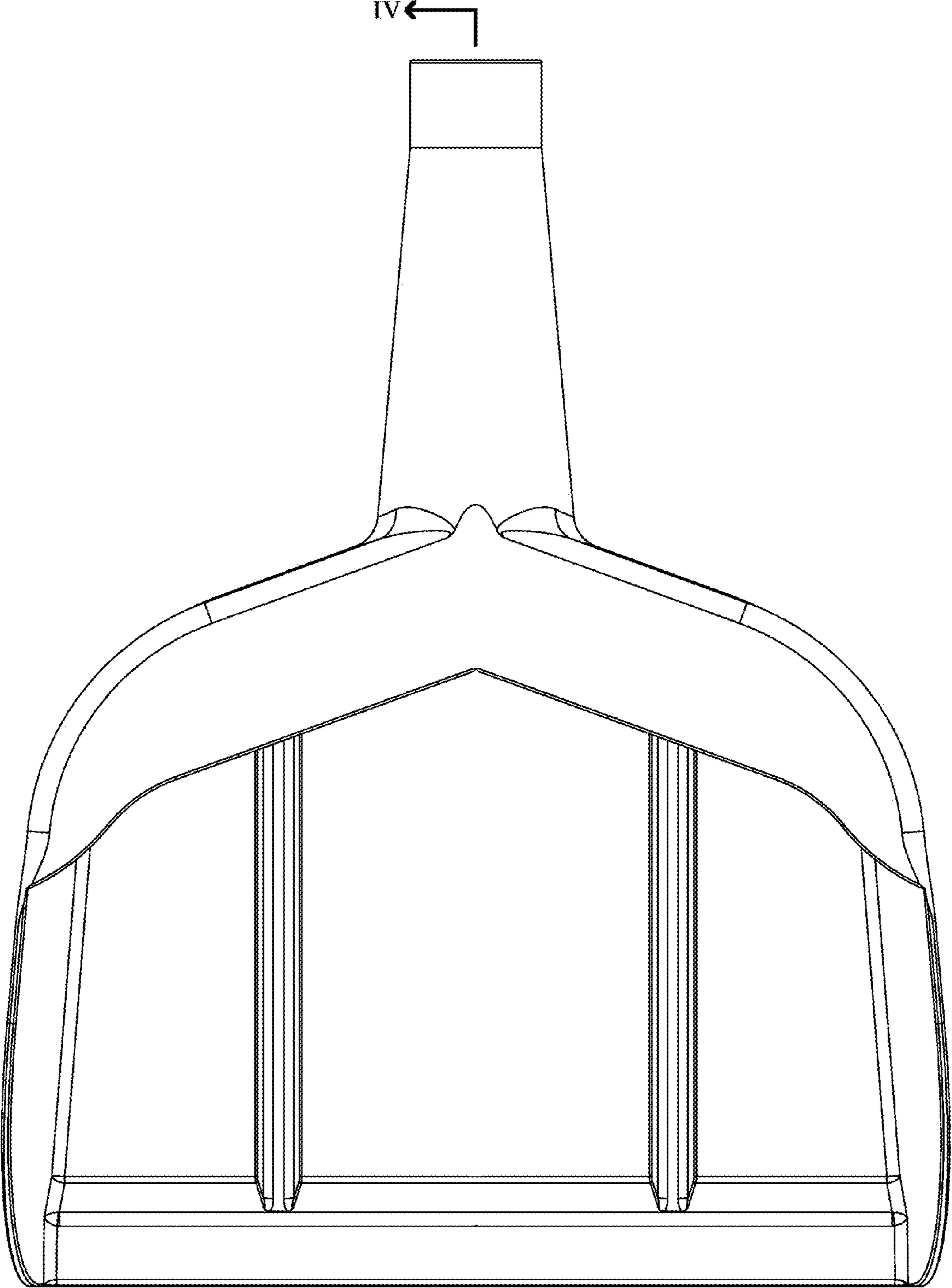


Figure 5

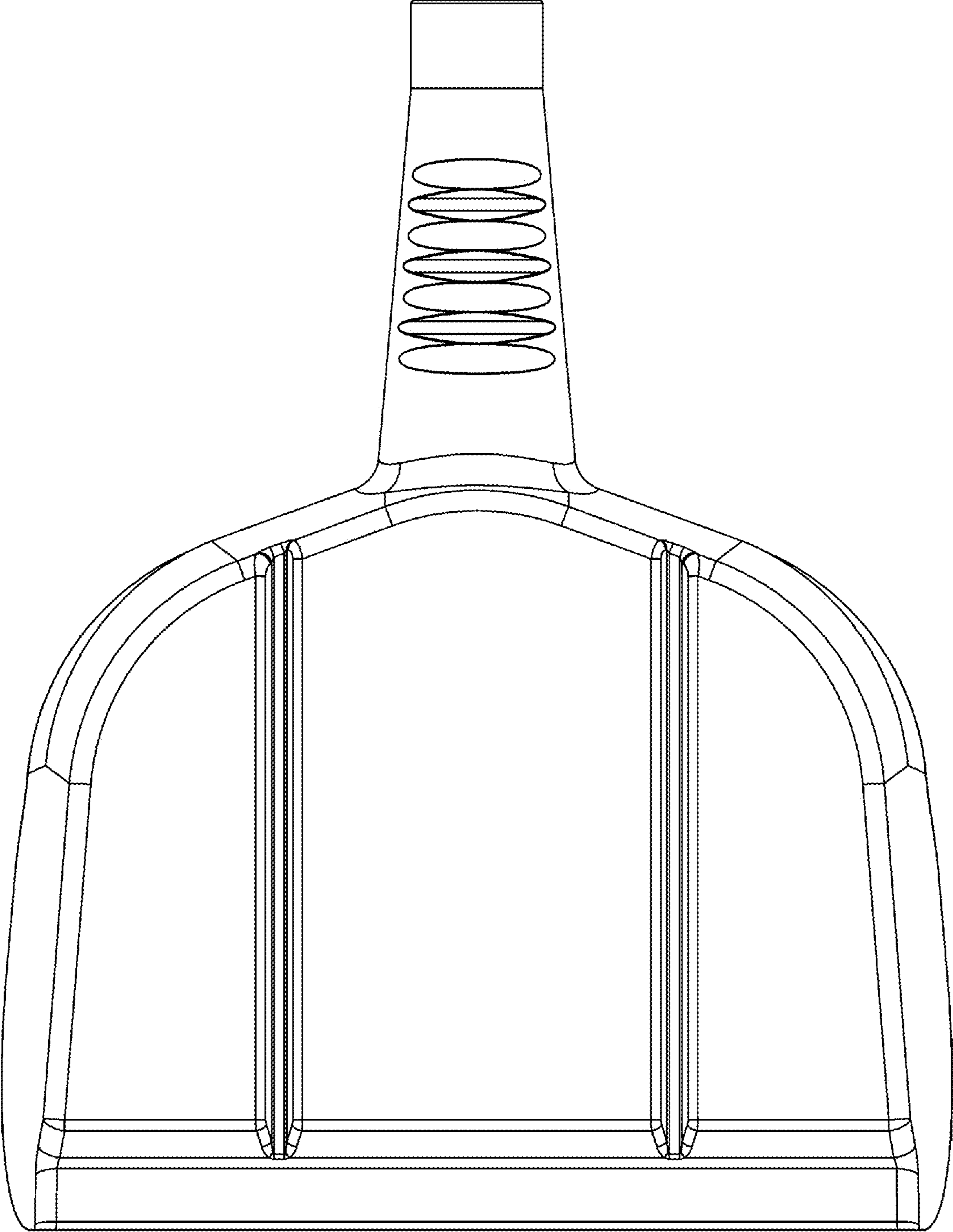


Figure 6