

US00D633265S

(12) **United States Design Patent**  
**Roschi**

(10) **Patent No.:** **US D633,265 S**

(45) **Date of Patent:** **\*\* Feb. 22, 2011**

(54) **SQUEEGEE**

D547,512 S \* 7/2007 Hay ..... D32/42  
D586,962 S \* 2/2009 Li ..... D32/41

(75) Inventor: **Barbara Roschi**, Barbaiana di Lainate  
MI (IT)

\* cited by examiner

(73) Assignee: **DAVY S.r.l.**, San Vittore Olona, MI (IT)

*Primary Examiner*—Robin V Webster

(74) *Attorney, Agent, or Firm*—Jacobson Holman PLLC

(\*\*) Term: **14 Years**

(57) **CLAIM**

(21) Appl. No.: **29/347,676**

The ornamental design for a squeegee, as shown and described.

(22) Filed: **Apr. 8, 2010**

(30) **Foreign Application Priority Data**

**DESCRIPTION**

Mar. 31, 2010 (EM) ..... 001689258

FIG. 1 is a front perspective view of a squeegee showing my new design;

(51) **LOC (9) Cl.** ..... **04-01**

FIG. 2 is a rear perspective view of the squeegee, taken from the opposite side relative to FIG. 1;

(52) **U.S. Cl.** ..... **D32/41**

(58) **Field of Classification Search** ..... D32/40-45;  
15/244.1, 244.4, 227, 245, 245.1, 121, 208,  
15/209.1

FIG. 3 is a right side elevational view FIG. 1, the left side being a mirror image thereof;

See application file for complete search history.

FIG. 4 is a front elevational view of FIG. 1;

FIG. 5 is a rear elevational view of FIG. 1;

(56) **References Cited**

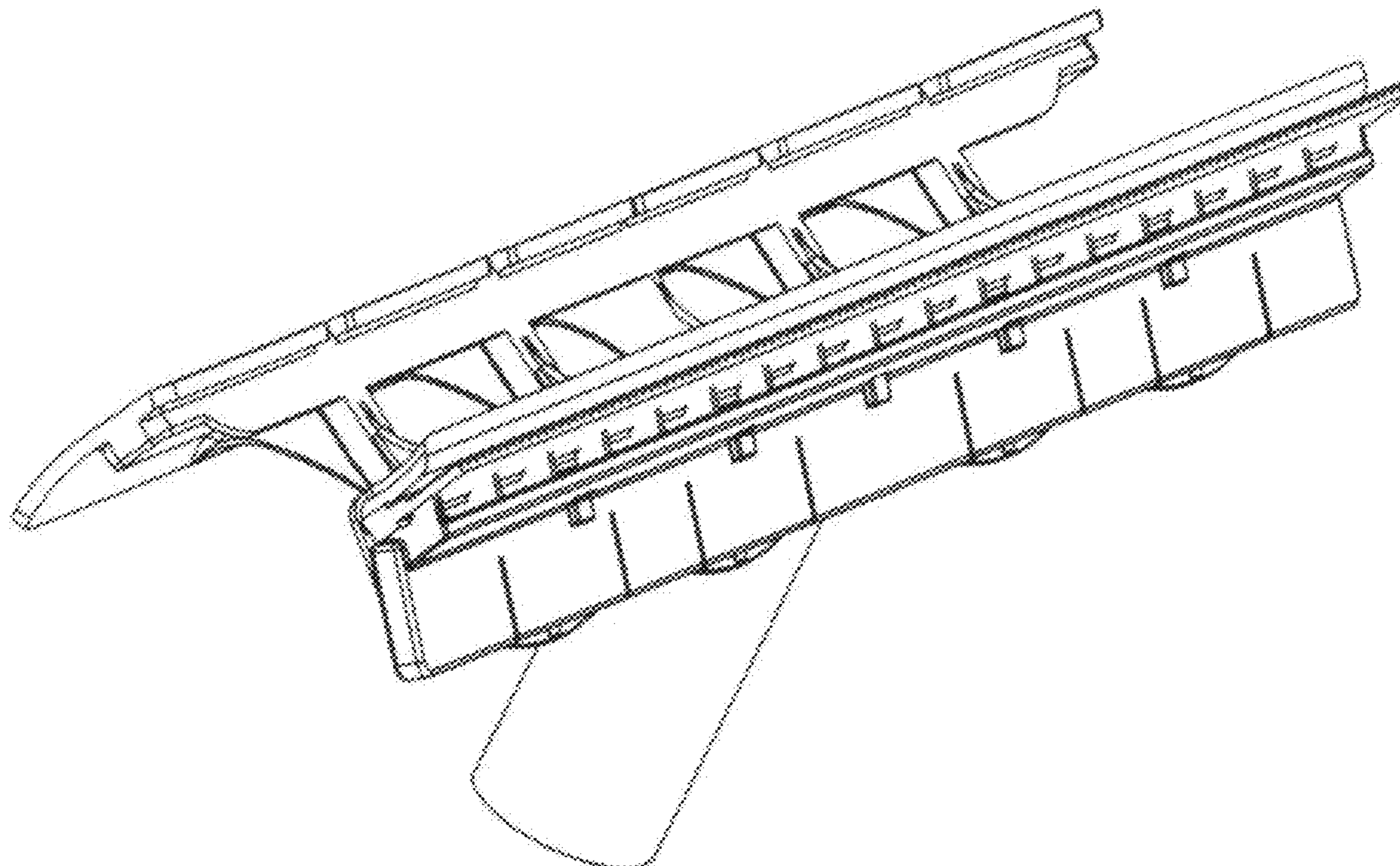
**U.S. PATENT DOCUMENTS**

D410,783 S \* 6/1999 Camp et al. .... D32/44  
6,243,911 B1 \* 6/2001 Varner ..... 15/245

FIG. 6 is a top plan view of FIG. 1; and,

FIG. 7 is a bottom plan view of FIG. 1.

**1 Claim, 4 Drawing Sheets**



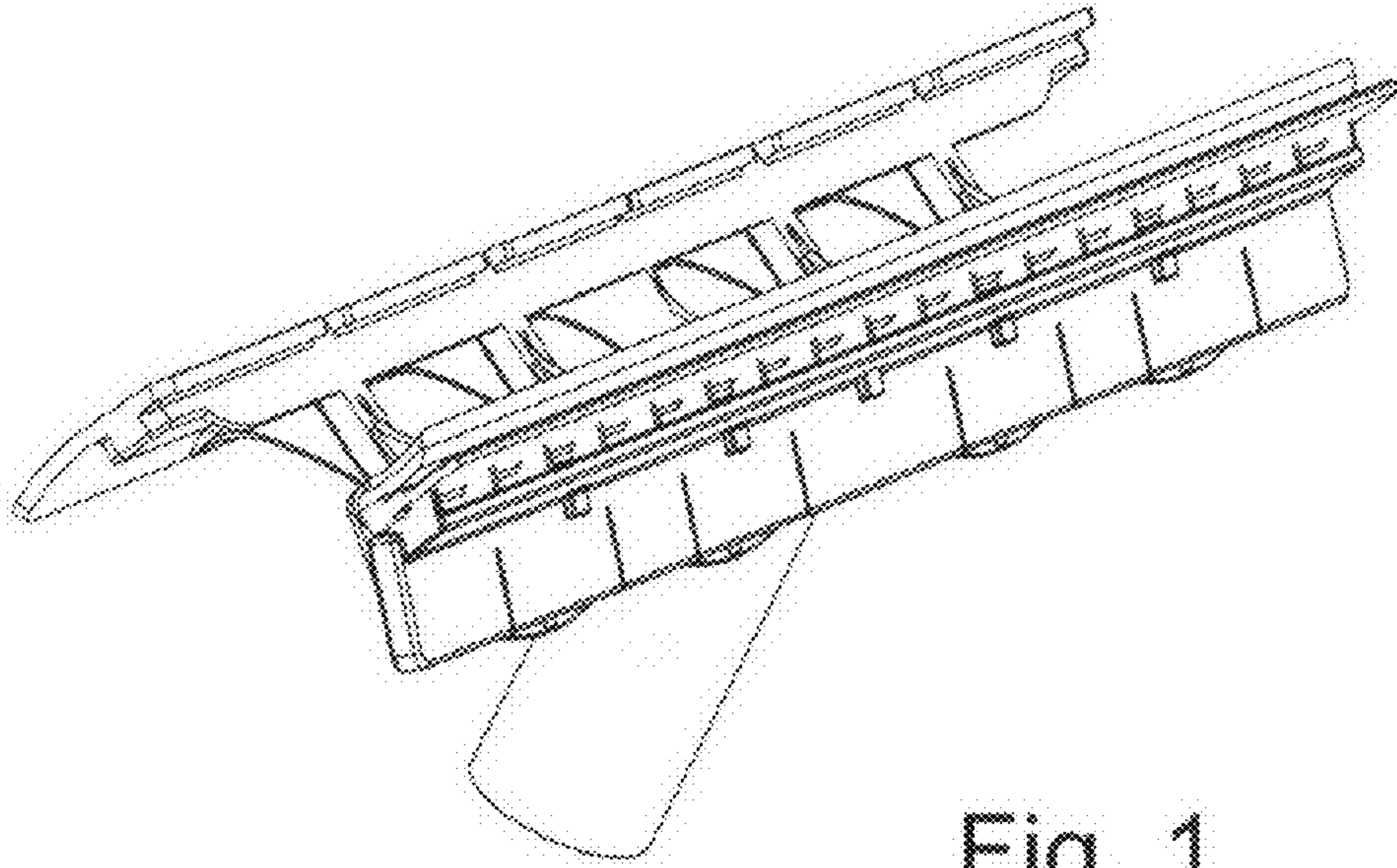


Fig. 1

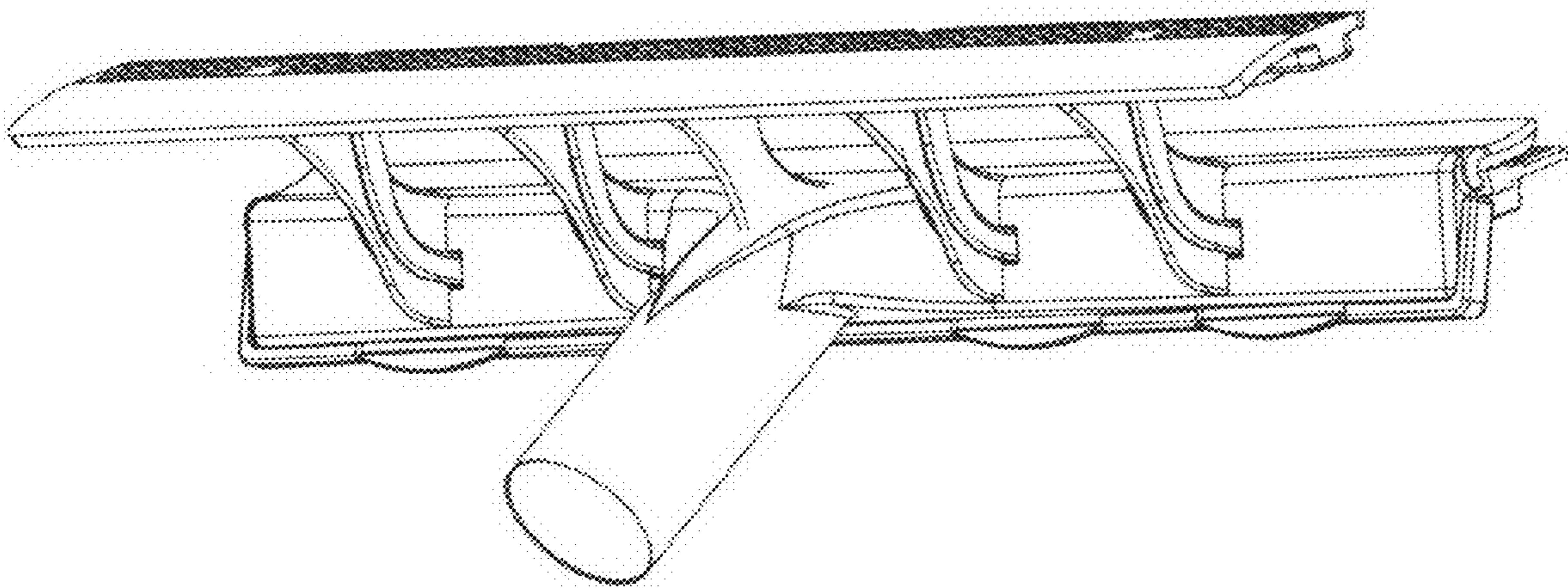


Fig. 2

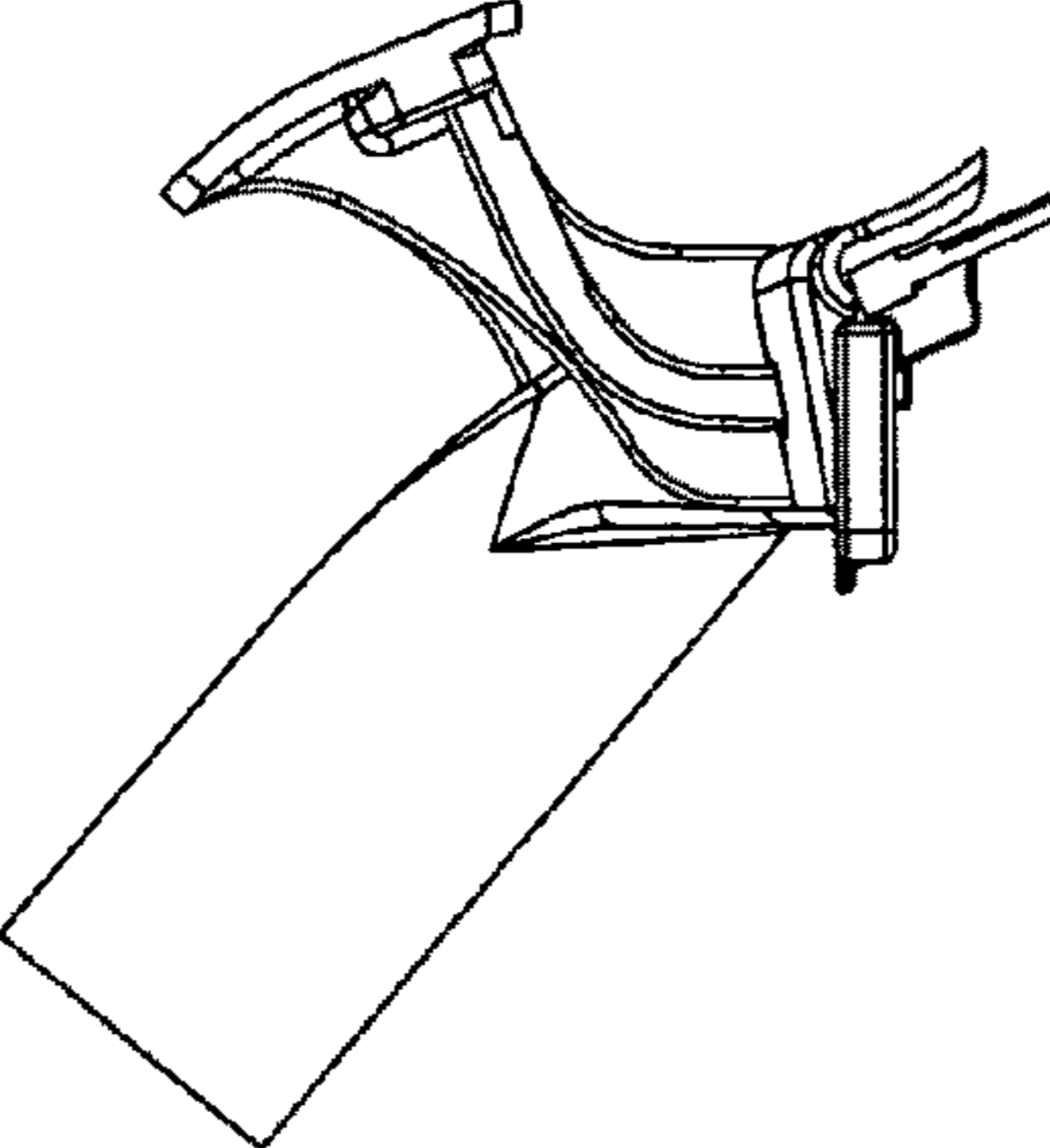


Fig. 3

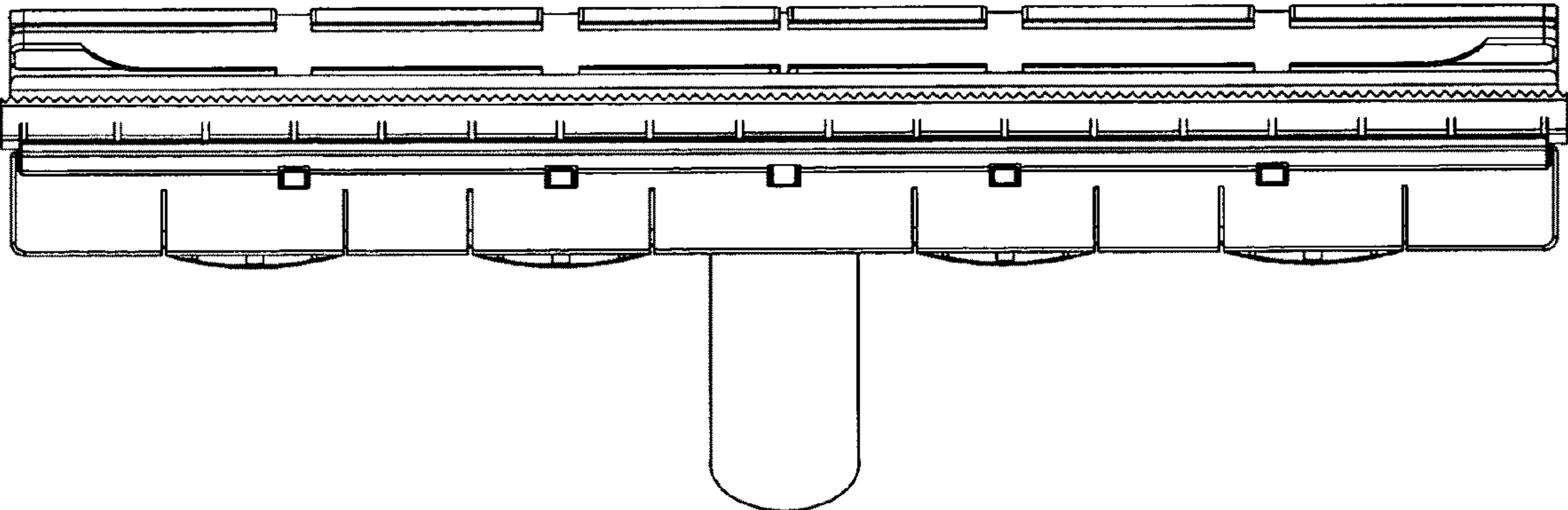


Fig. 4



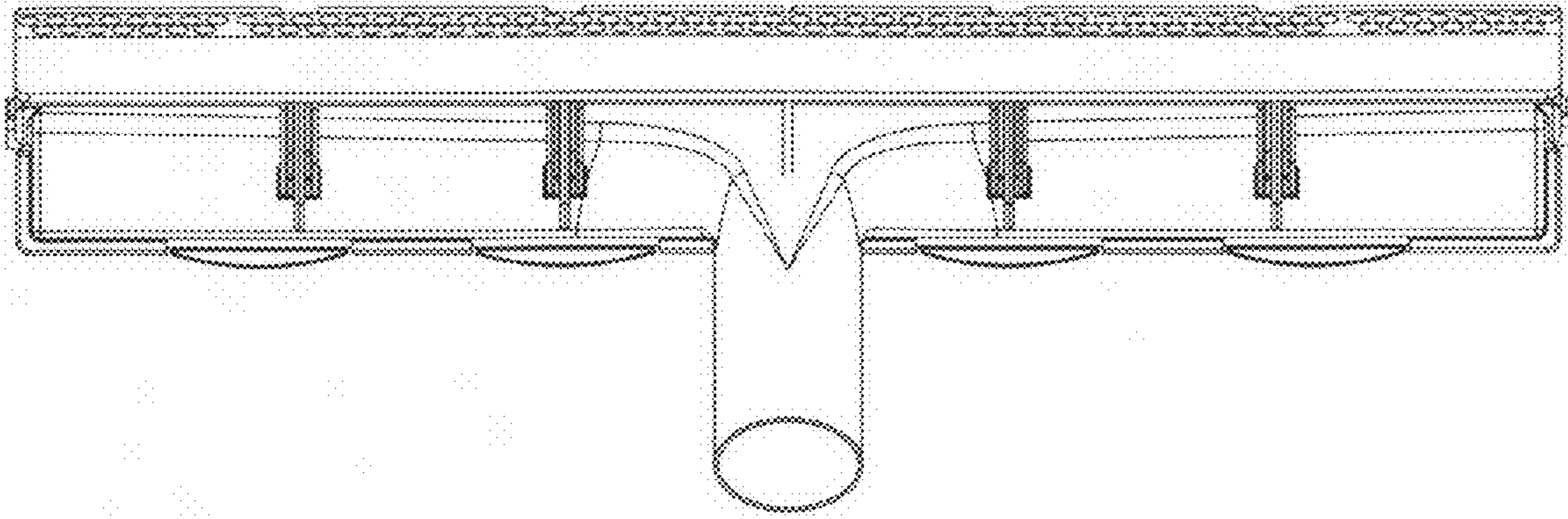


Fig. 5

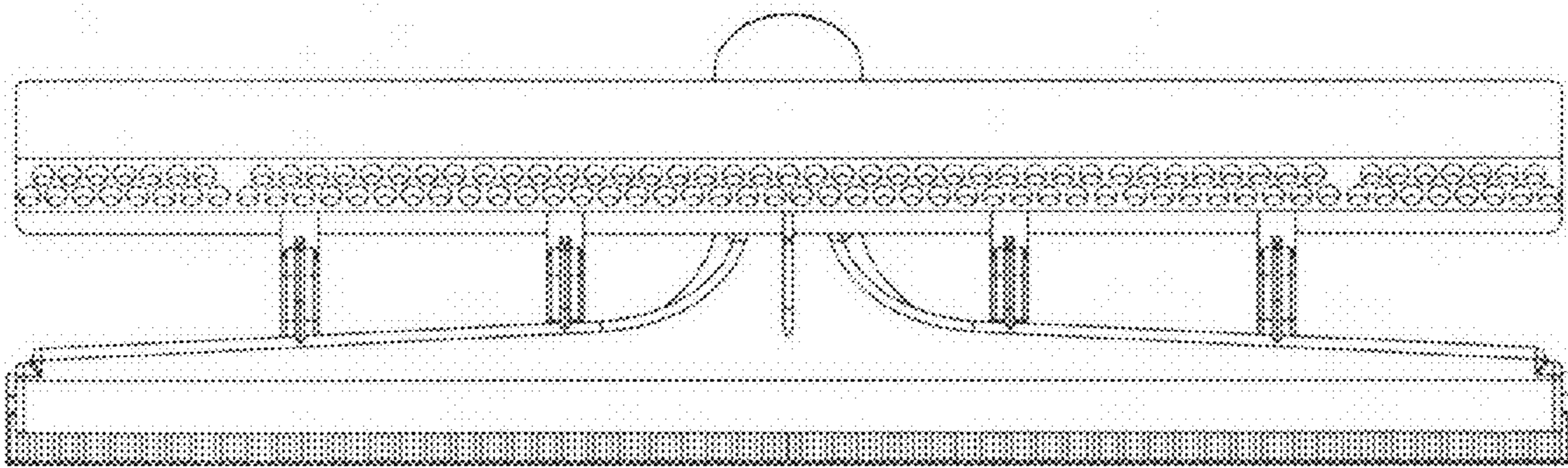


Fig. 6

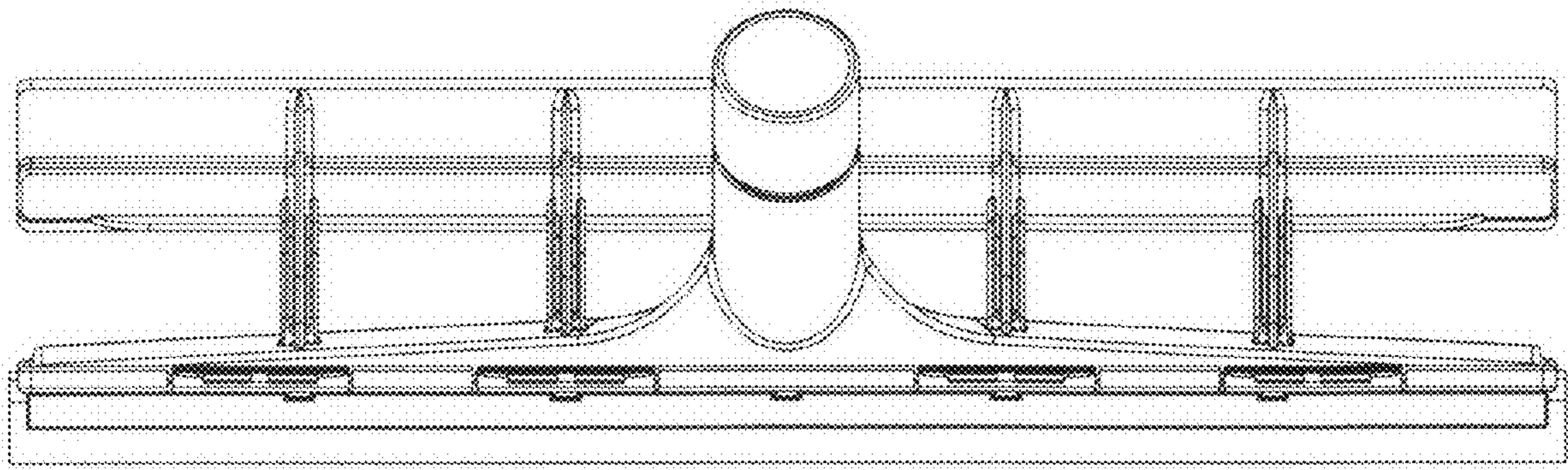


Fig. 7