



US00D633263S

(12) **United States Design Patent**
Fay

(10) **Patent No.:** **US D633,263 S**
(45) **Date of Patent:** **** Feb. 22, 2011**

(54) **PRESSURE WASHER**

D375,590 S * 11/1996 Steinhart et al. D32/15
5,700,137 A * 12/1997 Simonette 417/364

(75) Inventor: **Barry E. Fay**, Janesville, WI (US)

(73) Assignee: **Briggs & Stratton Corporation**,
Wauwatosa, WI (US)

(Continued)

(**) Term: **14 Years**

FOREIGN PATENT DOCUMENTS

(21) Appl. No.: **29/360,861**

JP 11-113822 4/1999

(22) Filed: **Apr. 30, 2010**

(Continued)

(51) **LOC (9) Cl.** **15-05**

(52) **U.S. Cl.** **D32/15**

(58) **Field of Classification Search** D32/1,
D32/15, 16, 17, 18, 19, 21, 25, 31; 15/49.1,
15/302, 320-322; D15/7, 9; 239/146-147,
239/149; D23/223, 225-226; D8/61; 417/360,
417/364; 206/562

Primary Examiner—T. Chase Nelson
Assistant Examiner—Kathleen M Sims
(74) *Attorney, Agent, or Firm*—Foley & Lardner LLP

See application file for complete search history.

(57) **CLAIM**

I claim the ornamental design for a pressure washer, as shown and described.

(56) **References Cited**

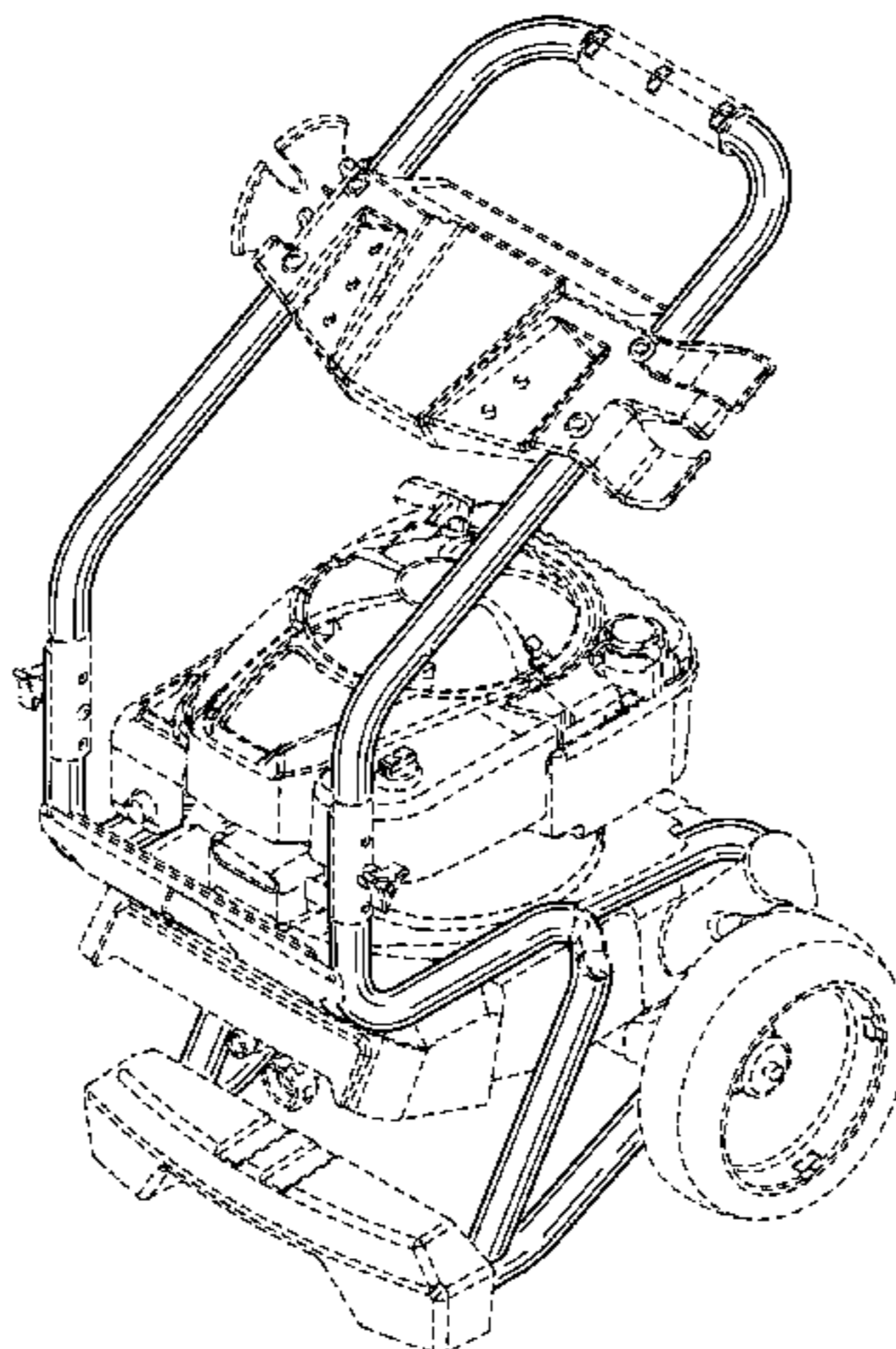
DESCRIPTION

U.S. PATENT DOCUMENTS

371,515 A	10/1887	Nowotny	
3,748,050 A	7/1973	Poppitz	
3,829,019 A	8/1974	Petsch	
3,832,069 A	8/1974	Petsch	
3,940,065 A	2/1976	Ware et al.	
3,940,826 A	3/1976	Phillips et al.	
3,959,010 A	5/1976	Thompson et al.	
4,350,366 A	9/1982	Helms	
5,134,748 A	8/1992	Lynn	
5,213,480 A *	5/1993	Yedinak et al.	417/234
5,265,805 A	11/1993	Artenian	
D345,842 S	4/1994	Sloan et al.	
5,299,767 A	4/1994	Simpson	
5,331,713 A	7/1994	Tipton	
5,419,497 A	5/1995	Warrington	
5,441,297 A *	8/1995	Krohn et al.	280/655
5,500,976 A	3/1996	Rohrbacher et al.	

FIG. 1 is a front perspective view from above of a pressure washer showing my new design;
FIG. 2 is a rear perspective view from above of the claimed design of FIG. 1;
FIG. 3 is a top view of the claimed design of FIG. 1;
FIG. 4 is a left side view of the claimed design of FIG. 1;
FIG. 5 is a front view of the claimed design of FIG. 1;
FIG. 6 is a right side view of the claimed design of FIG. 1;
FIG. 7 is a rear view of the claimed design of FIG. 1; and
FIG. 8 is a bottom view of the claimed design of FIG. 1.
The ornamental design that is claimed is shown in solid lines in the drawings. Any broken lines in the drawings are for illustrative purposes only and form no part of the claimed design.

1 Claim, 8 Drawing Sheets



US D633,263 S

Page 2

U.S. PATENT DOCUMENTS

5,704,989 A 1/1998 Page
D396,924 S 8/1998 Cardenas
5,810,213 A 9/1998 Flores et al.
5,957,352 A 9/1999 Gares
5,967,426 A 10/1999 McLeod
6,070,808 A 6/2000 Kildow
D441,935 S 5/2001 Cook
6,267,308 B1 7/2001 Hall
6,279,838 B1 8/2001 Sivells et al.
6,302,967 B1 10/2001 Rohrbacher et al.
D458,423 S 6/2002 Rehkugler et al.
D463,888 S 10/2002 Rehkugler et al.
D465,624 S 11/2002 Kolichski et al.
D467,692 S * 12/2002 Morgan et al. D32/15
6,695,235 B2 2/2004 Faller et al.
6,750,556 B2 * 6/2004 Sodemann et al. 290/1 A
6,758,482 B2 7/2004 Stallbaumer
D496,763 S * 9/2004 Chen D32/16
D499,848 S 12/2004 Leasure
6,827,357 B2 12/2004 Calmeise et al.

6,866,486 B2 * 3/2005 Dexter et al. 417/299
6,892,957 B2 * 5/2005 Bennett et al. 239/146
6,935,642 B1 * 8/2005 Craig et al. 280/47.24
7,125,228 B2 * 10/2006 Dexter et al. 417/299
D532,942 S * 11/2006 Busschaert D32/15
7,198,204 B2 * 4/2007 Bennett et al. 239/146
7,316,286 B2 * 1/2008 Hillary 180/291
7,475,888 B2 * 1/2009 Craig et al. 280/47.18
7,562,780 B2 * 7/2009 Gilpatrick et al. 211/70.6
7,604,246 B2 * 10/2009 Sodemann et al. 280/47.315
2003/0122331 A1 7/2003 DiGiacomo, Jr. et al.
2004/0046044 A1 3/2004 Bennett et al.
2005/0205688 A1 9/2005 Bennett et al.
2006/0083634 A1 * 4/2006 Dexter et al. 417/380
2006/0102745 A1 * 5/2006 Dexter 239/146

FOREIGN PATENT DOCUMENTS

JP 2001-149871 6/2001
WO WO 98/00239 1/1998

* cited by examiner

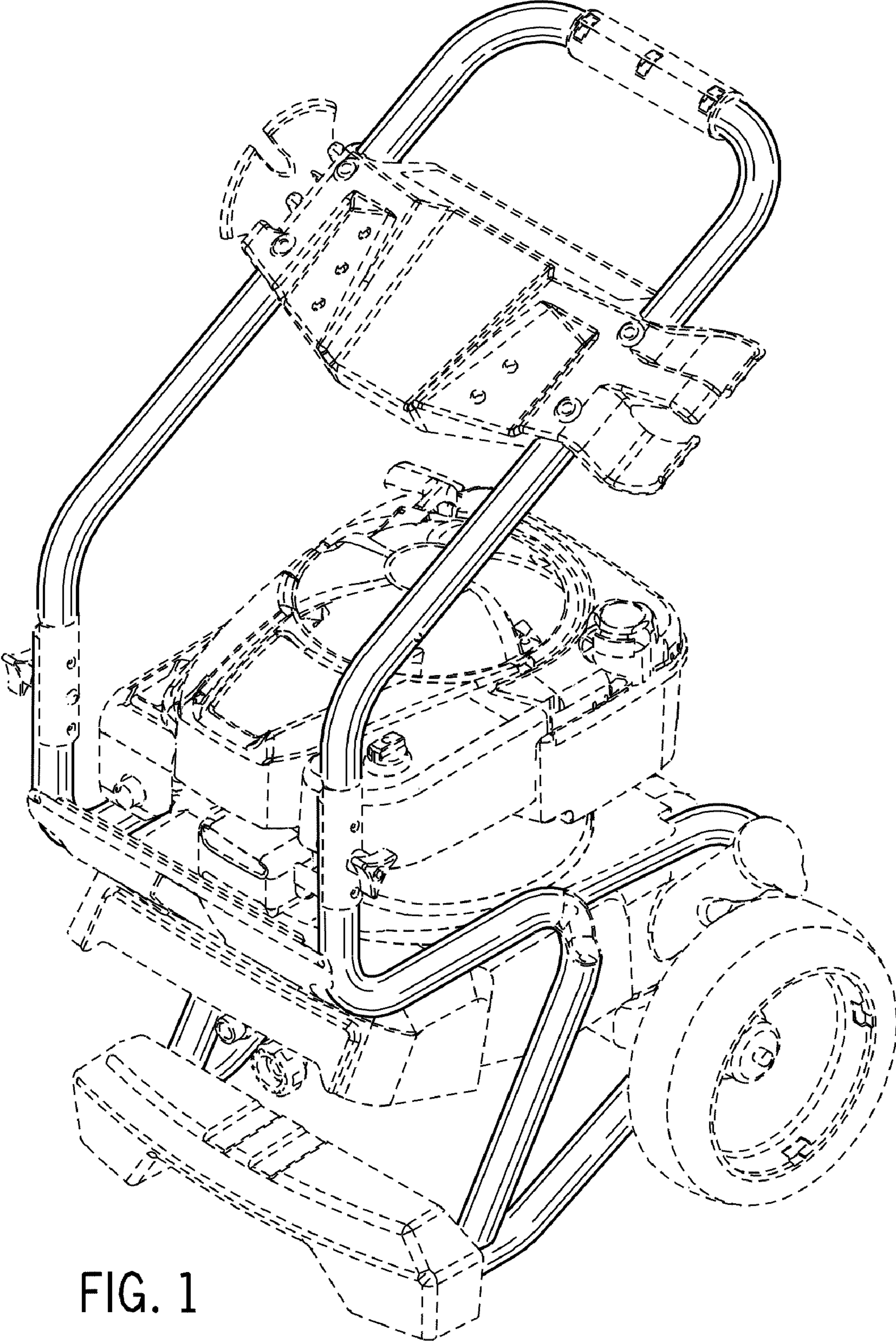


FIG. 1

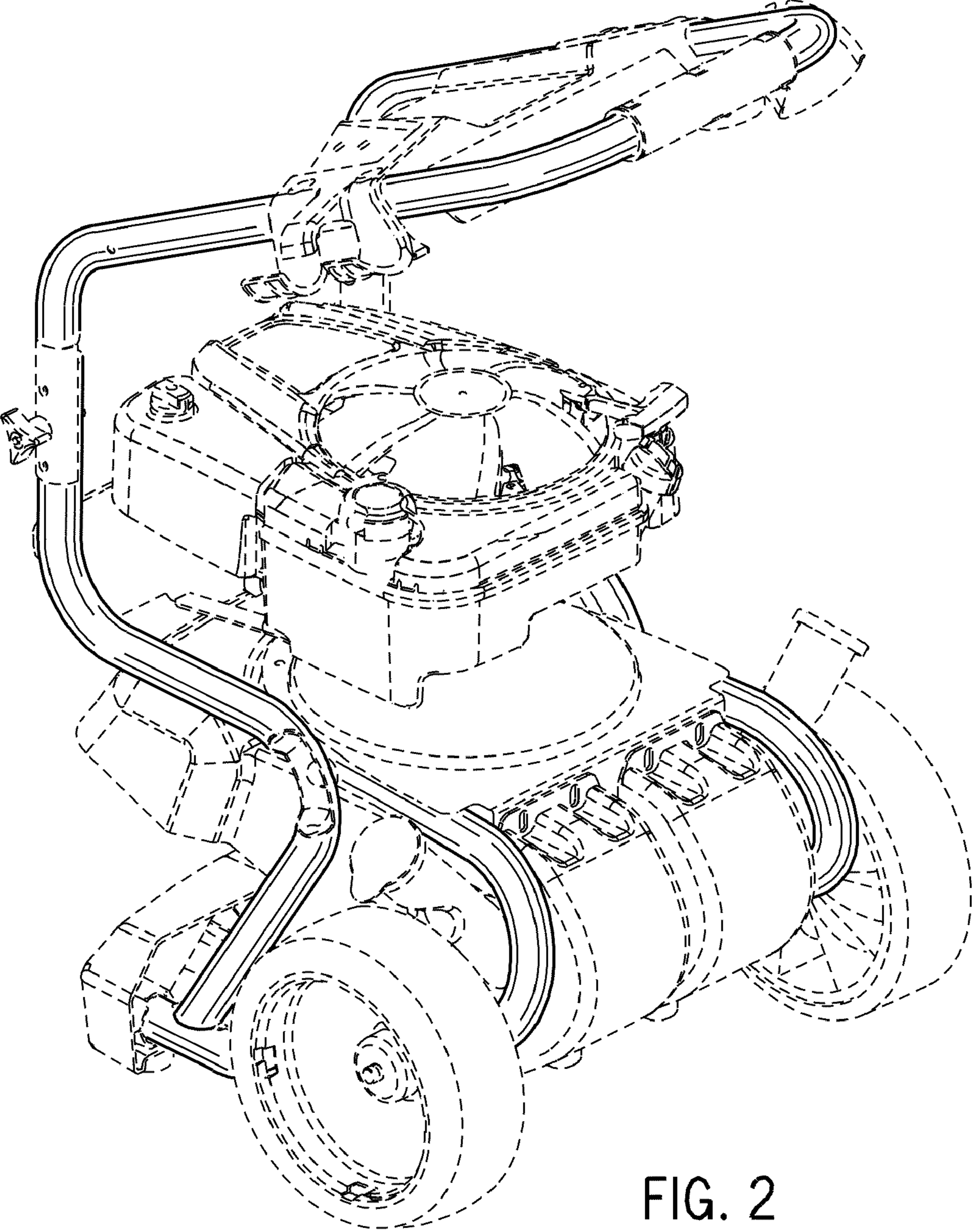


FIG. 2

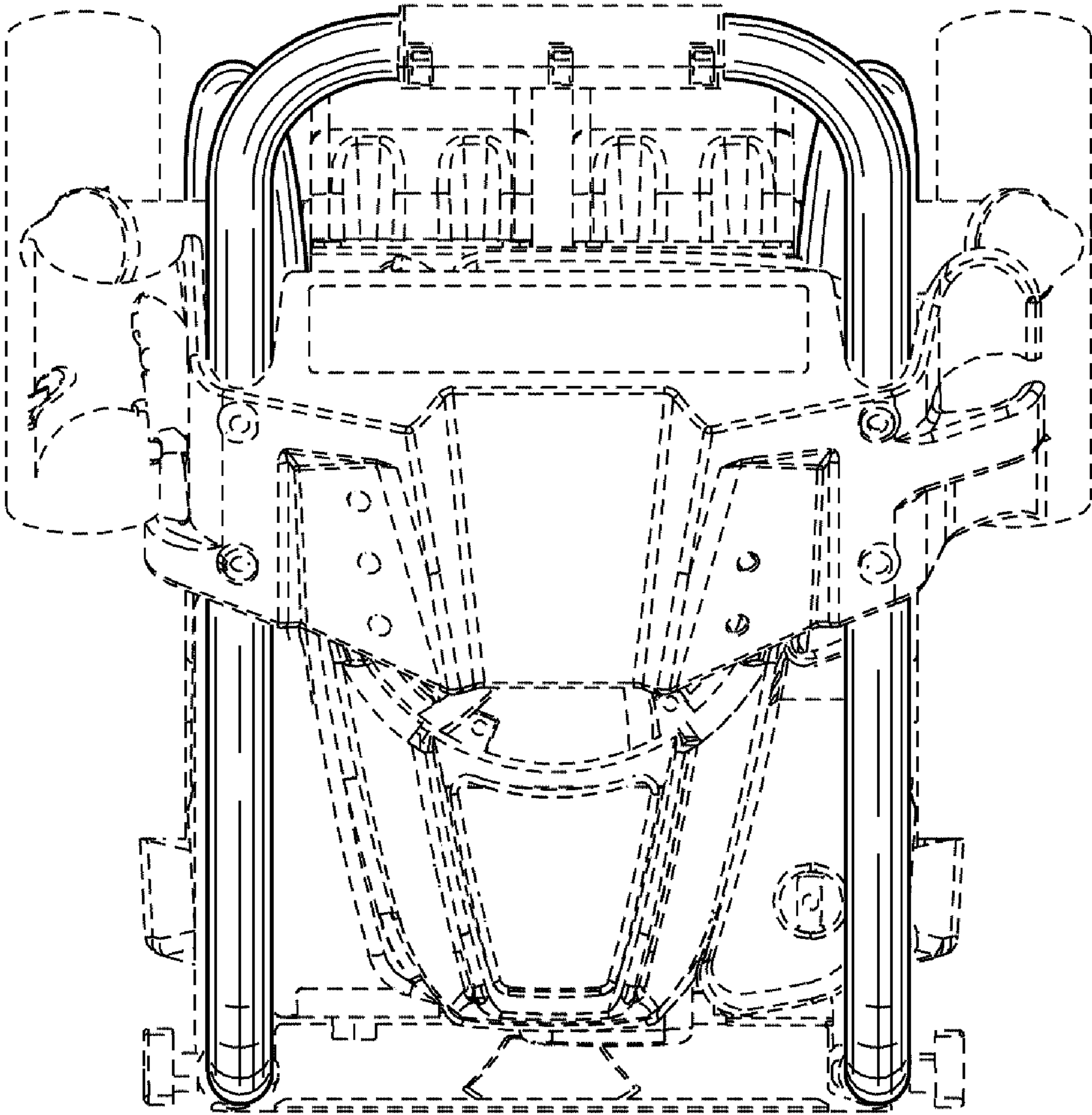


FIG. 3

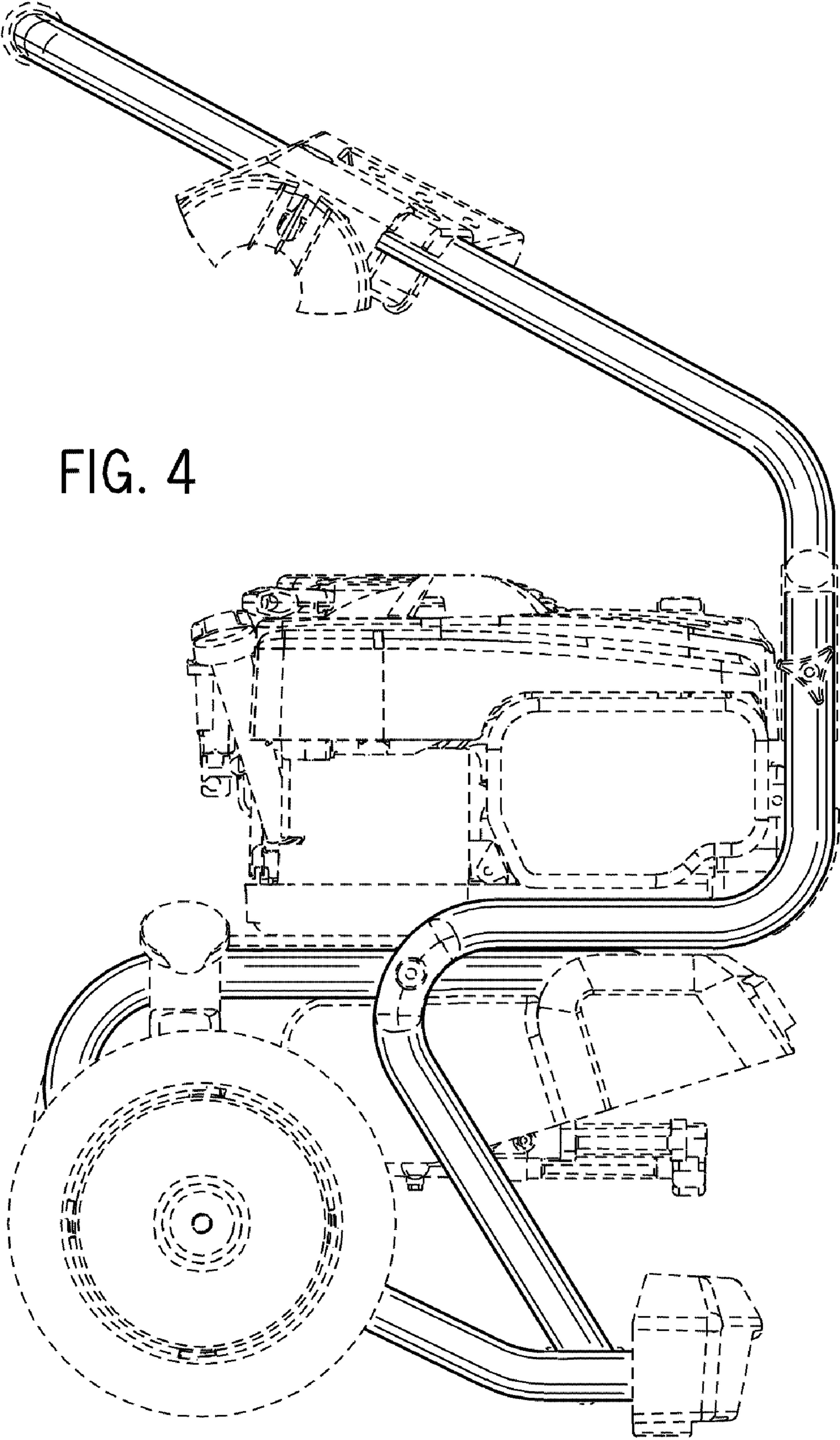


FIG. 4

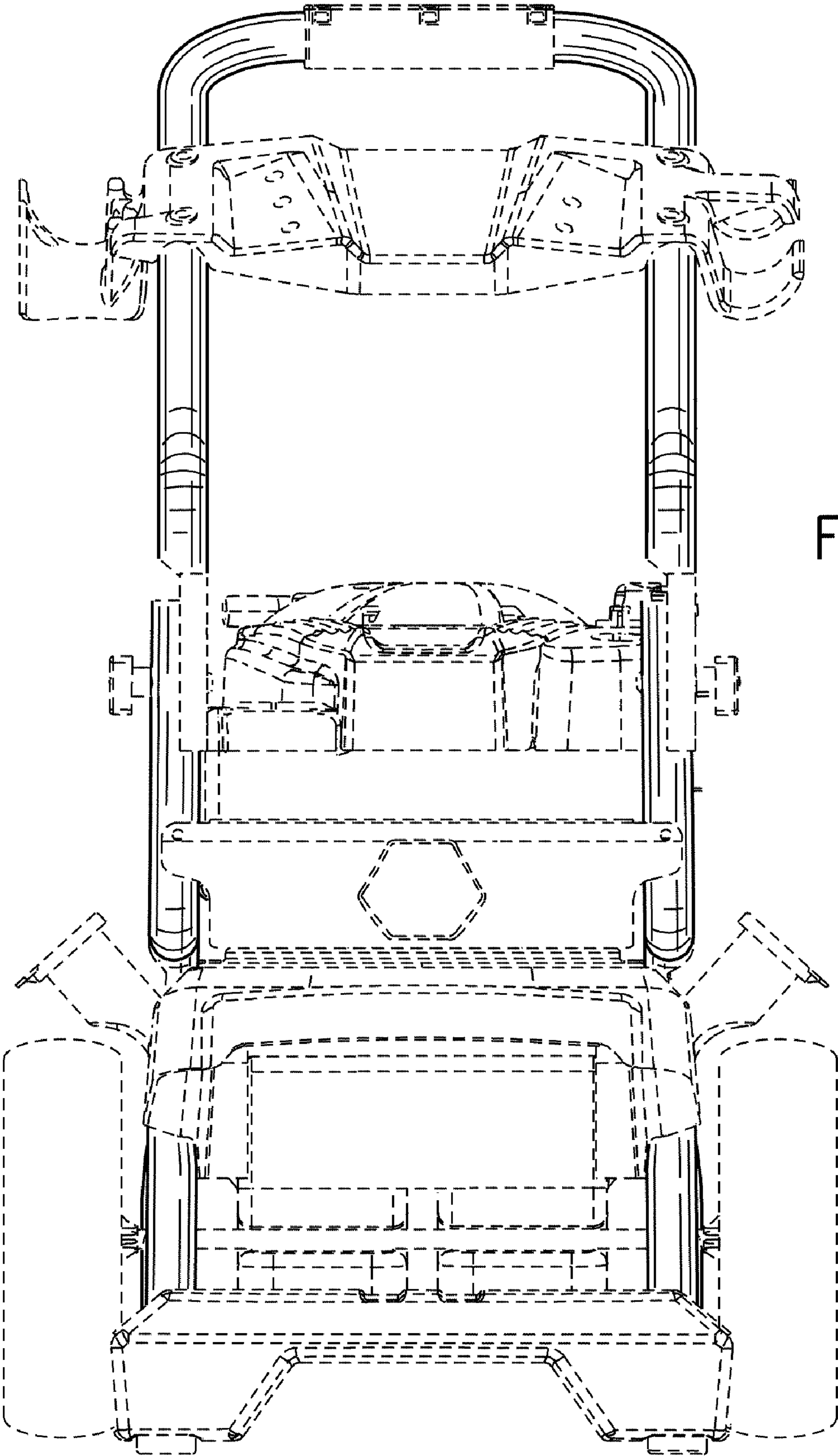


FIG. 5

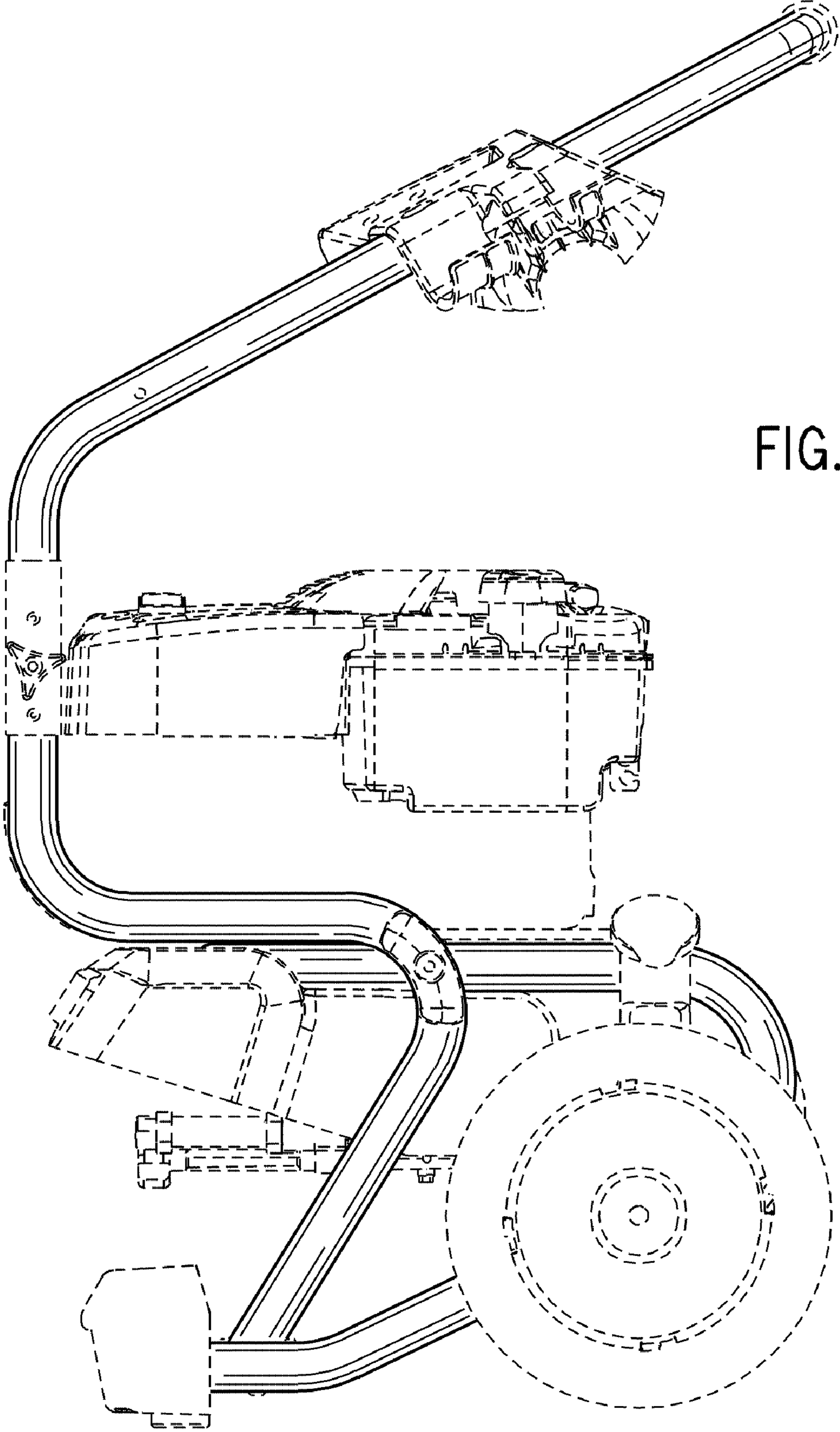


FIG. 6

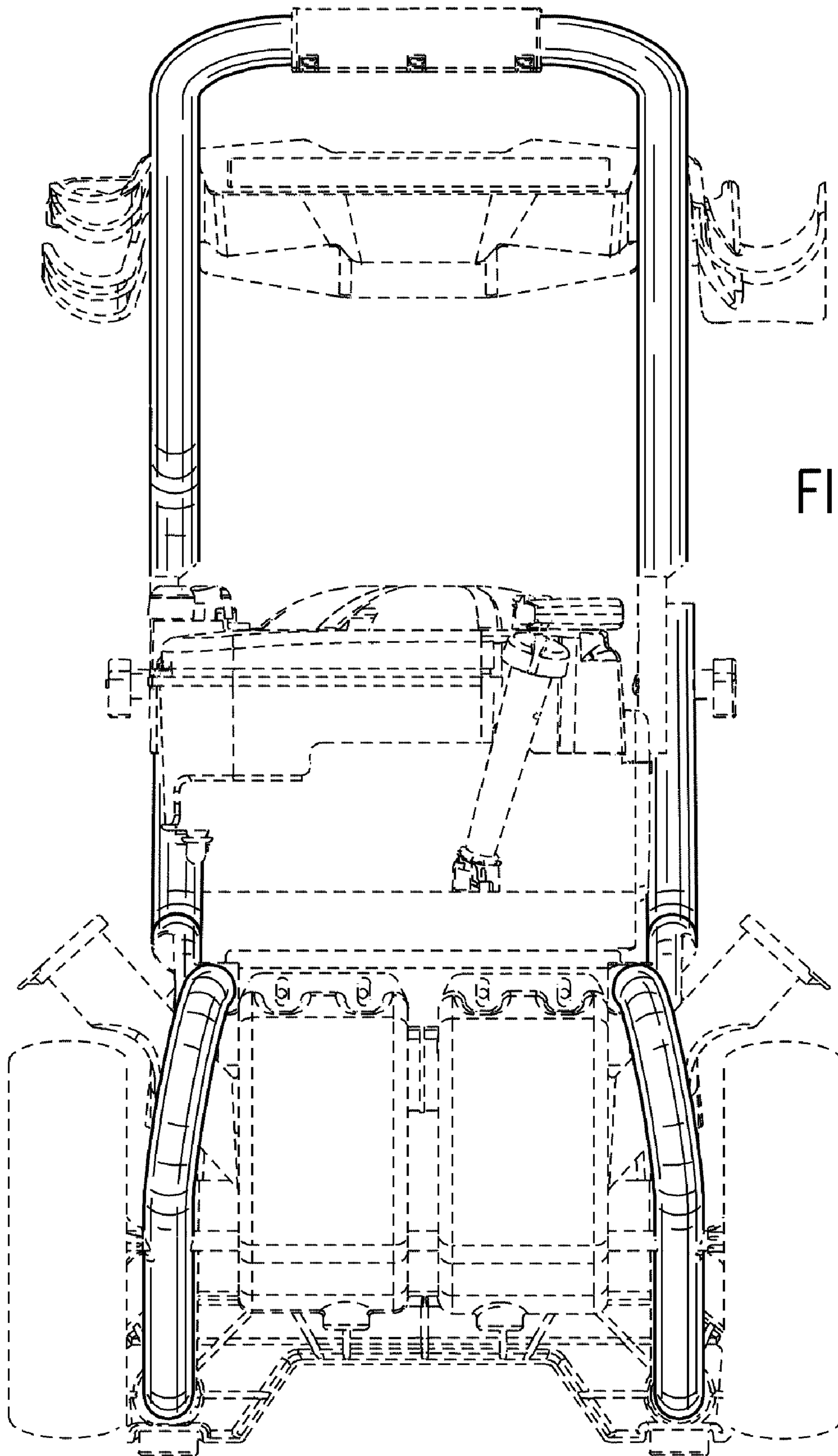


FIG. 7

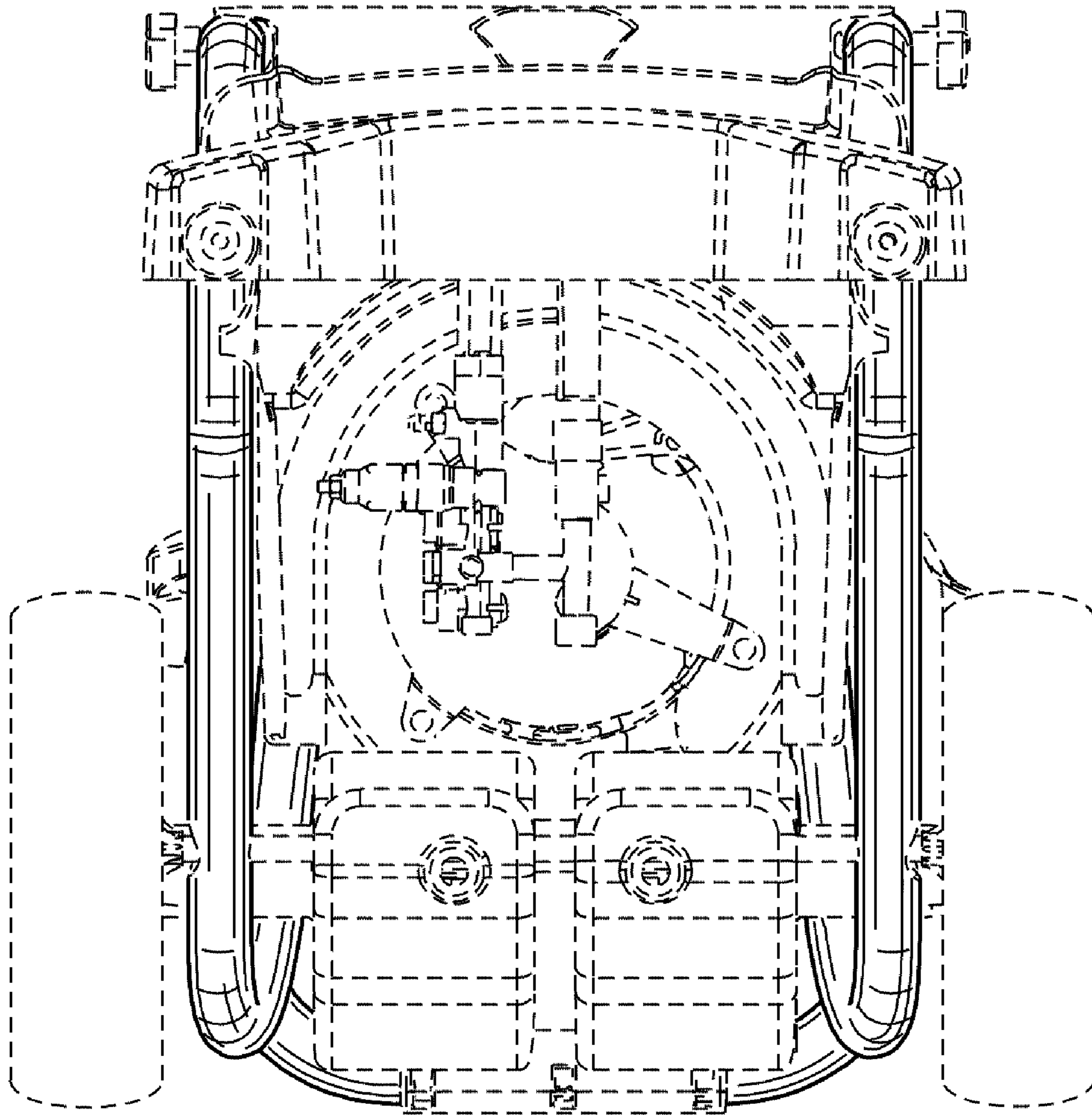


FIG. 8