



US00D633258S

(12) **United States Design Patent**  
**Benattar**

(10) **Patent No.:** **US D633,258 S**

(45) **Date of Patent:** **\*\* Feb. 22, 2011**

(54) **BOOT FOR ANIMALS**

(76) Inventor: **Judith Benattar**, 1108 - 10 Delisle Avenue, Toronto, Ontario (CA) M4V 3C6

(\*\*) Term: **14 Years**

(21) Appl. No.: **29/357,806**

(22) Filed: **Mar. 17, 2010**

(51) **LOC (9) Cl.** ..... **30-01**

(52) **U.S. Cl.** ..... **D30/146**

(58) **Field of Classification Search** ..... D30/145-150;  
D2/901, 902, 909-912, 946, 970; D24/192;  
D29/120.1, 121.1; 54/65, 82; 36/2 A, 2 R,  
36/45, 50.1, 54, 83, 110-115, 117.1-117.5,  
36/140; 2/22, 24, 16, 242, 455; 482/105,  
482/144; 128/882; 602/6, 8, 23, 27-29,  
602/65, 66; 119/850, 856

See application file for complete search history.

(56) **References Cited**

**U.S. PATENT DOCUMENTS**

D229,197 S	11/1973	Jackson	
D267,750 S	1/1983	Norstrom	
4,458,431 A	7/1984	Sinclair	
5,148,657 A	9/1992	Stafford et al.	
5,209,048 A	5/1993	Hanson	
5,452,685 A *	9/1995	Thomas	119/850
5,495,828 A *	3/1996	Solomon et al.	119/850
D375,586 S *	11/1996	Caditz	D30/146
D379,251 S	5/1997	Mezey	
D387,511 S *	12/1997	Caditz	D30/146
6,470,832 B1 *	10/2002	Peacock	119/850
6,526,920 B1	3/2003	Griffin	
6,851,394 B1 *	2/2005	Young	119/850
D514,262 S	1/2006	Sabeh-Azar	

D595,016 S *	6/2009	Menegon	D30/146
7,677,206 B1 *	3/2010	Southworth	119/850
D618,401 S *	6/2010	Menegon	D30/146

\* cited by examiner

*Primary Examiner*—Melody N Brown

(74) *Attorney, Agent, or Firm*—Gifford, Krass, Sprinkle, Anderson & Citkowsky, P.C.

(57) **CLAIM**

The ornamental design for a boot for animals, as shown and described.

**DESCRIPTION**

FIG. 1 is a perspective view from the top and front of a boot for animals, with the buckles partially opened, showing my new design;

FIG. 2 is a top view of the embodiment of FIG. 1 with the buckles closed;

FIG. 3 is a left-side view of the embodiment of FIG. 1 with the buckles closed;

FIG. 4 is a bottom view of the embodiment of FIG. 1 with the buckles closed;

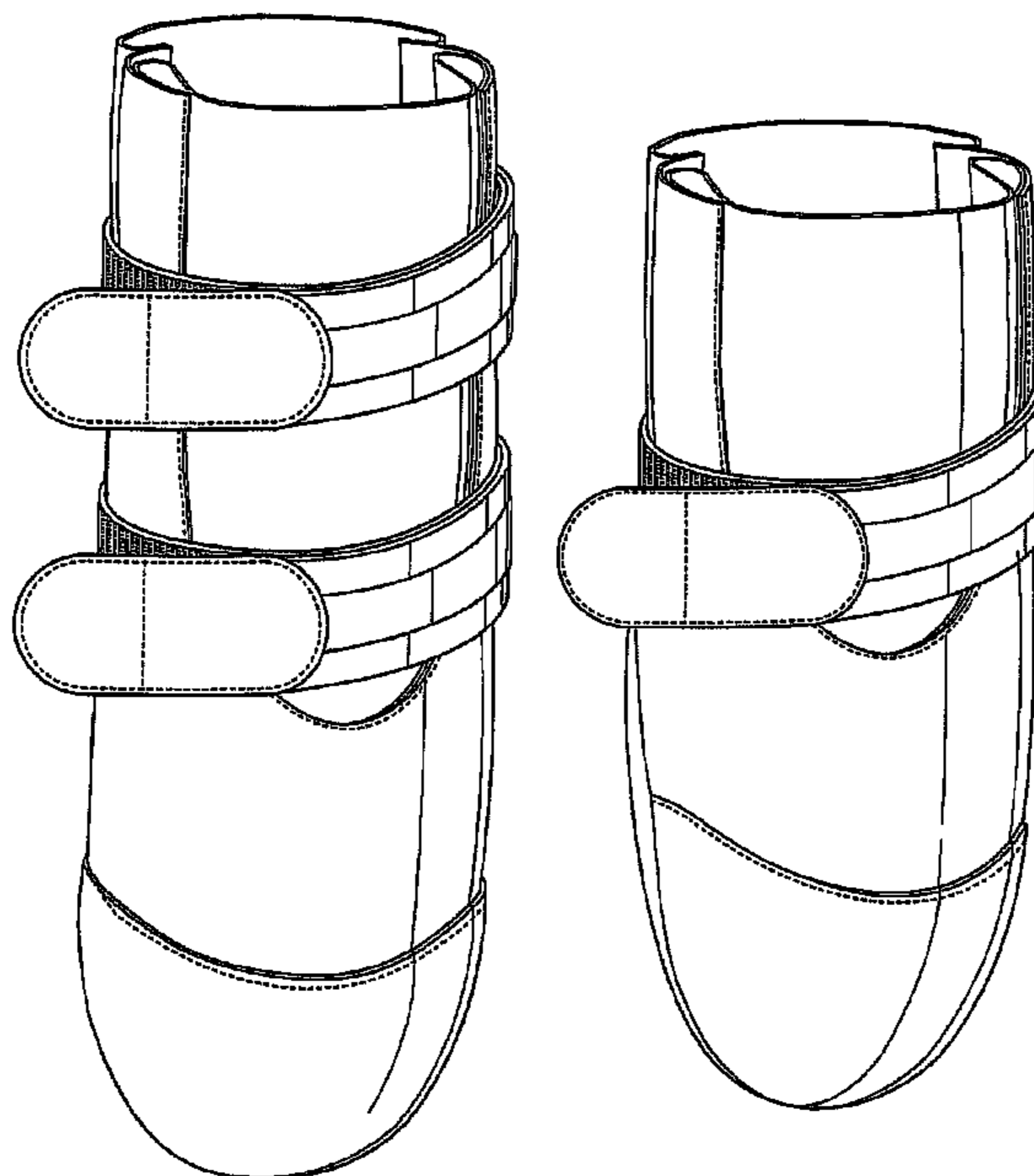
FIG. 5 is a right side view of the embodiment of FIG. 1 with the buckles closed;

FIG. 6 is a rear view of the embodiment of FIG. 1 with the buckles closed;

FIG. 7 is a front view of the embodiment of FIG. 1 with the buckles closed; and,

FIG. 8 is a perspective view from the top and front of a second embodiment to the invention employing a single buckle, with the buckle partially opened, all other views are substantially the same as in FIGS. 1-7.

**1 Claim, 4 Drawing Sheets**



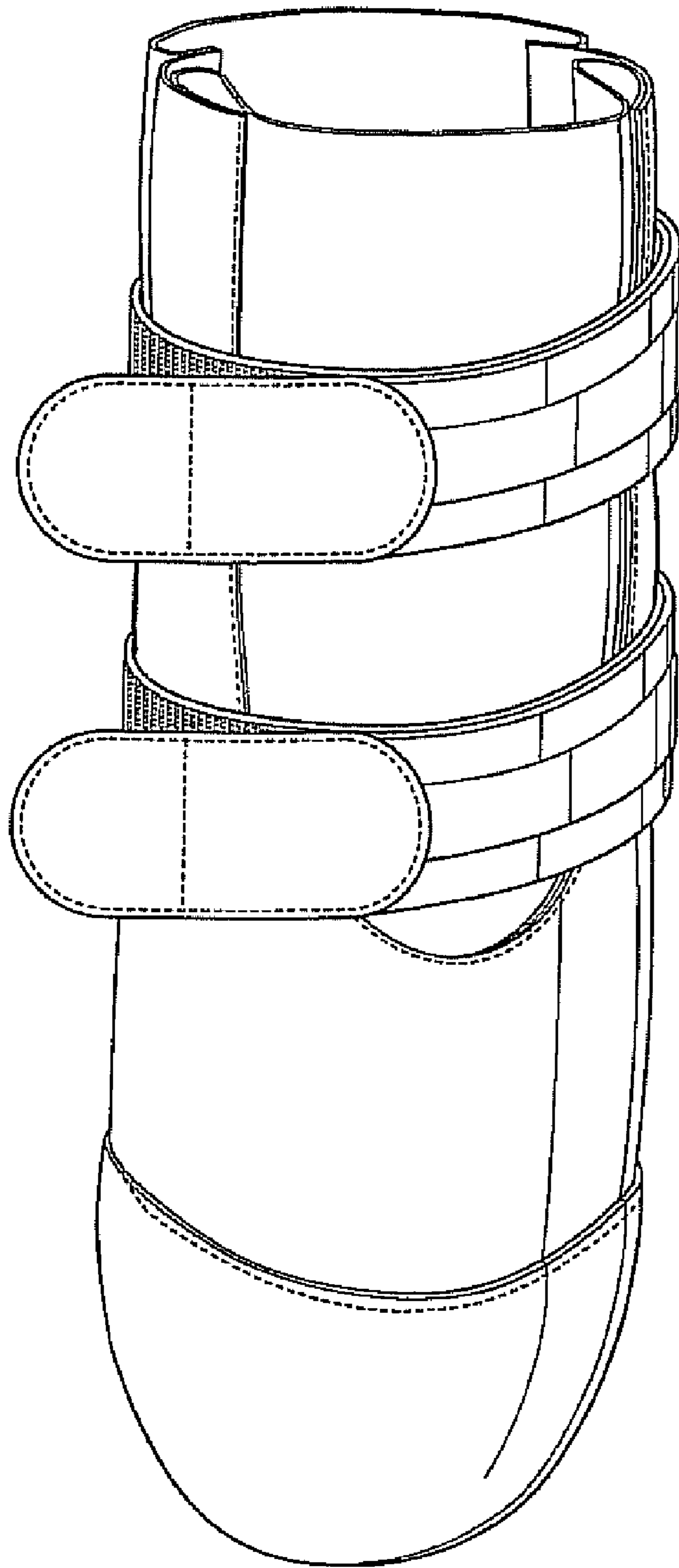


FIG. 1

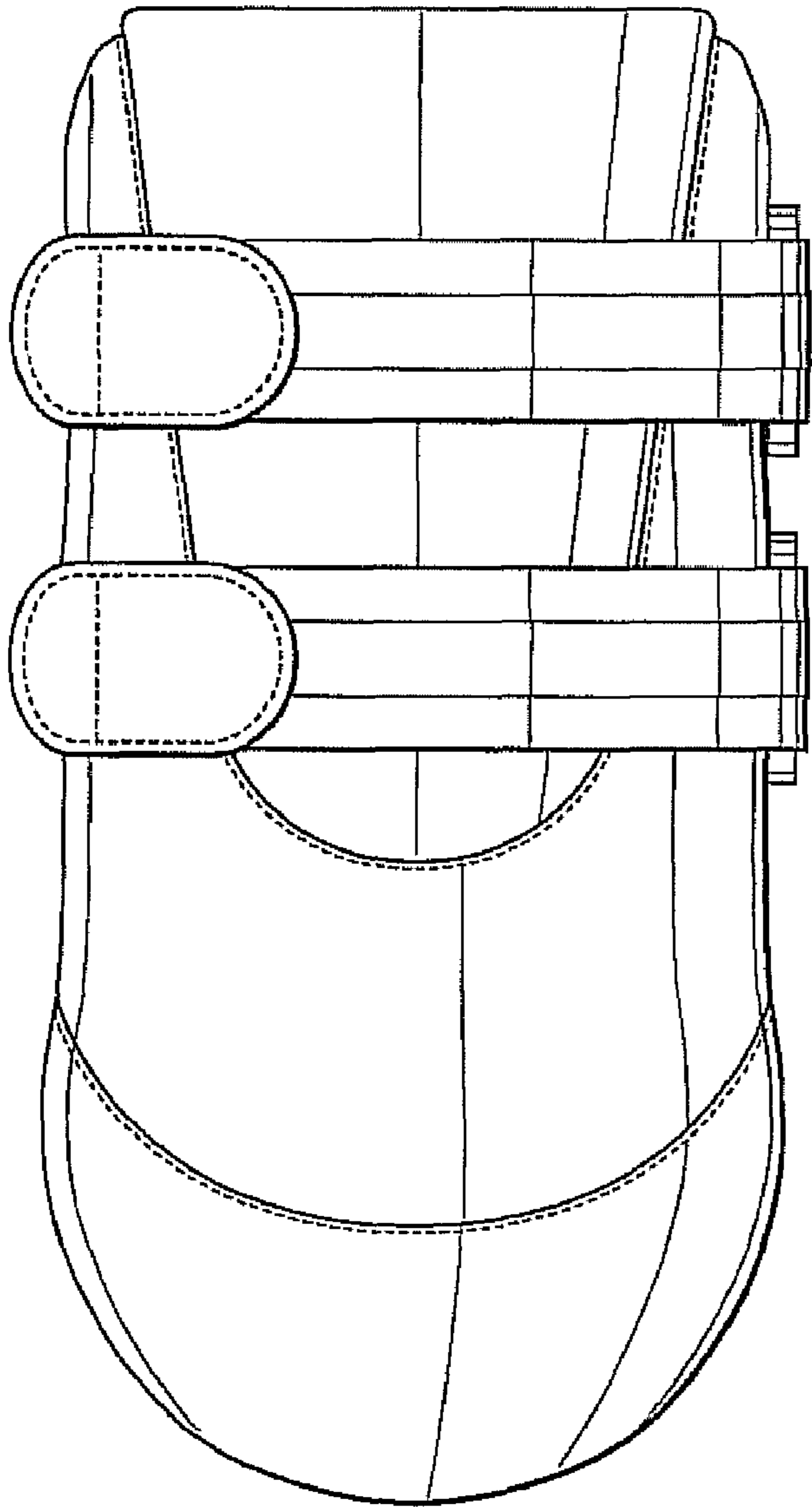


FIG. 2

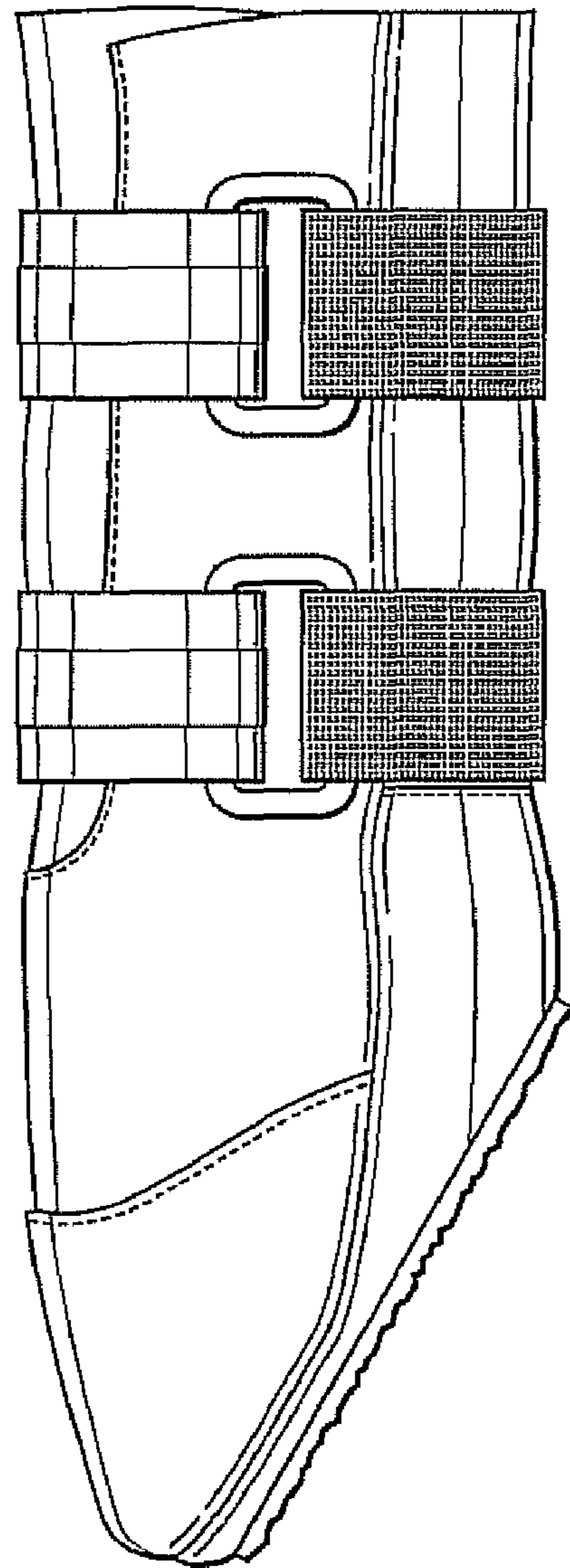


FIG. 3



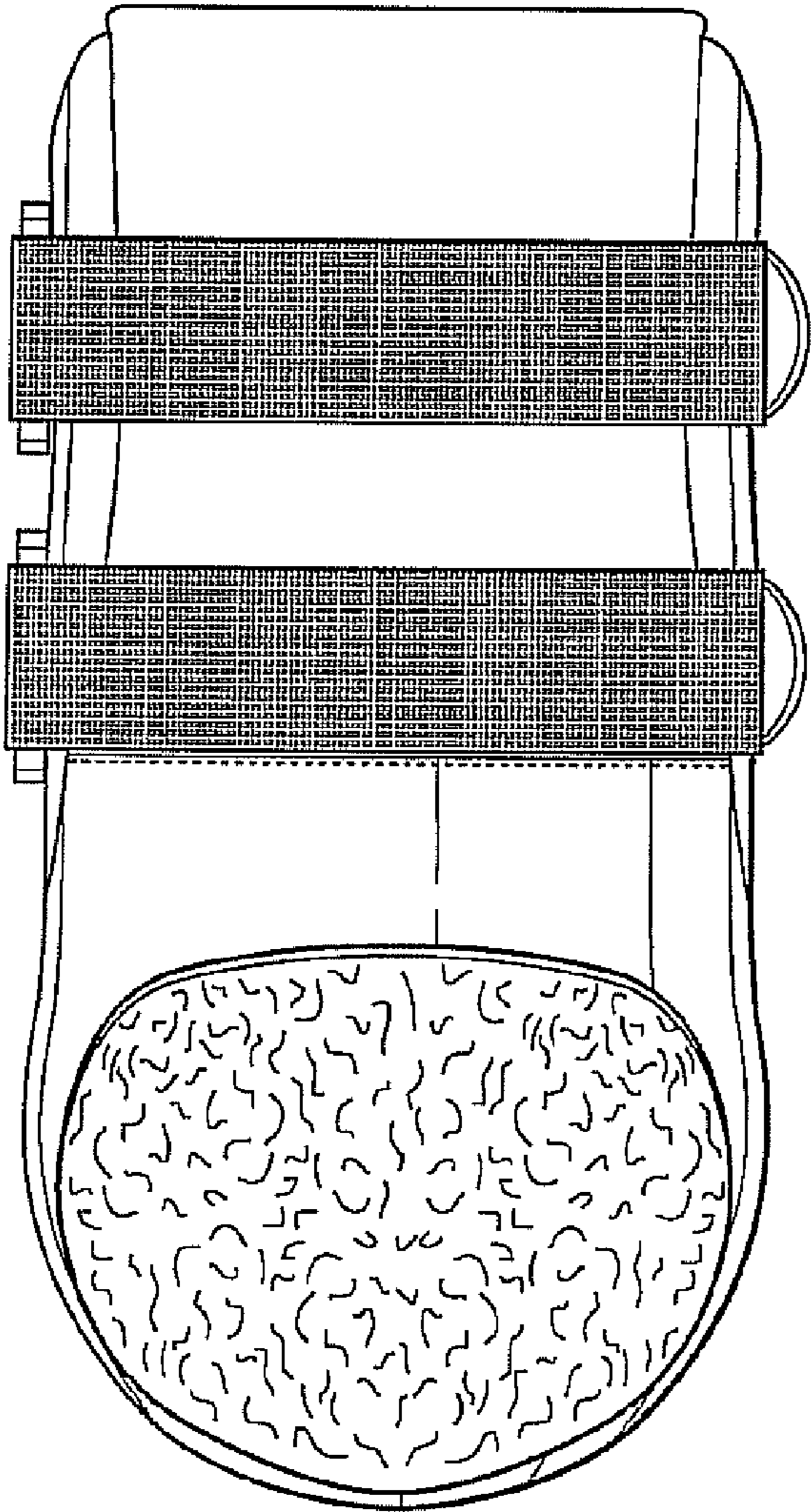


FIG. 4

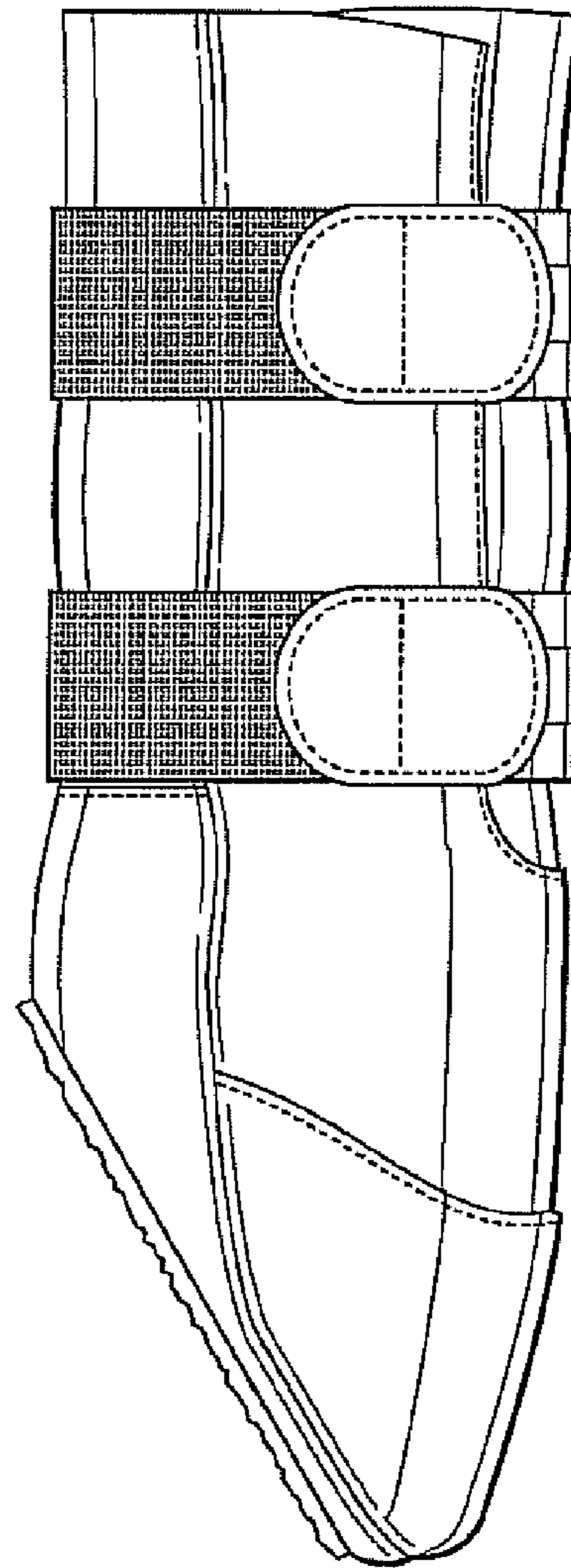


FIG. 5

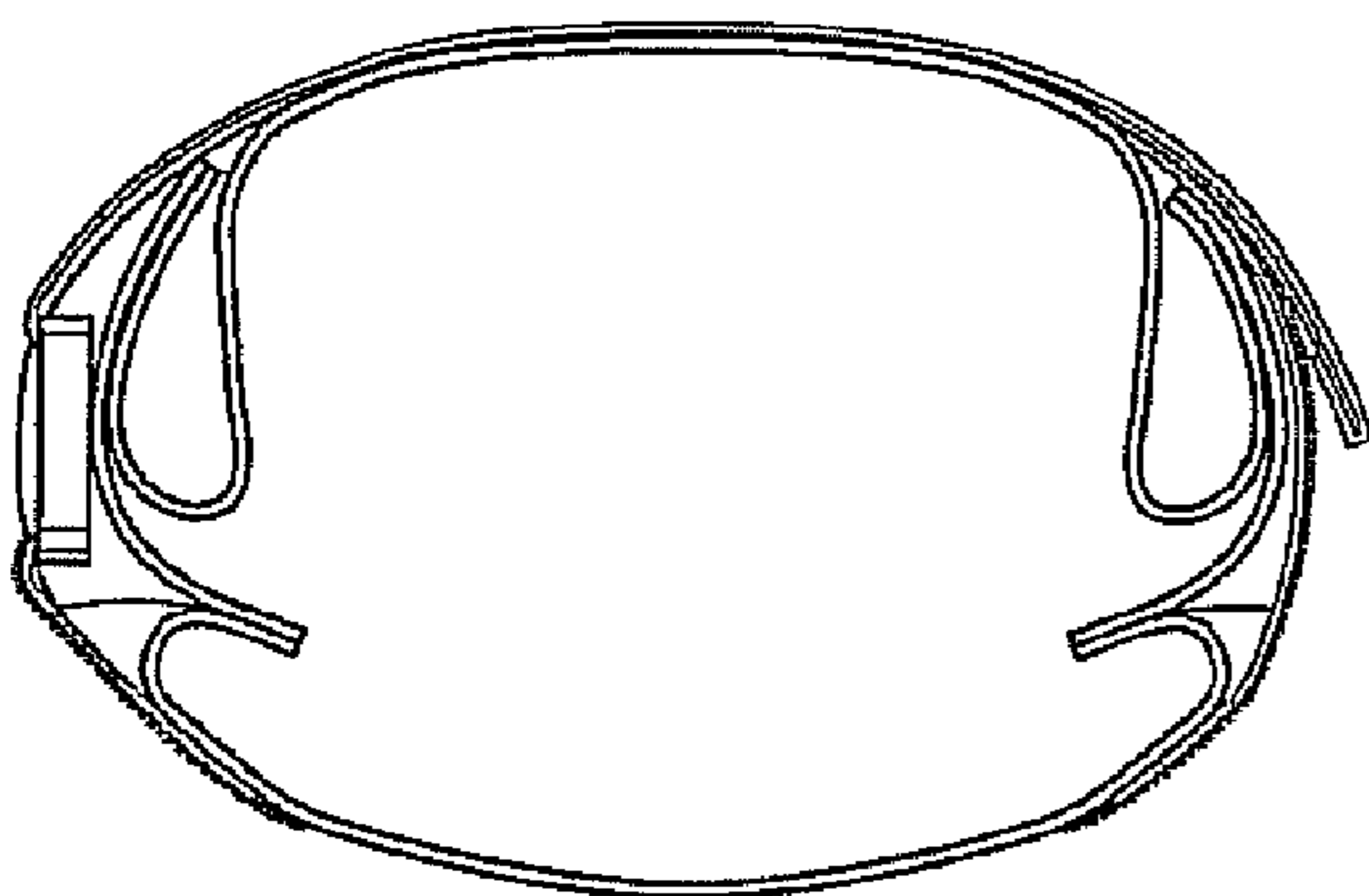


FIG. 6

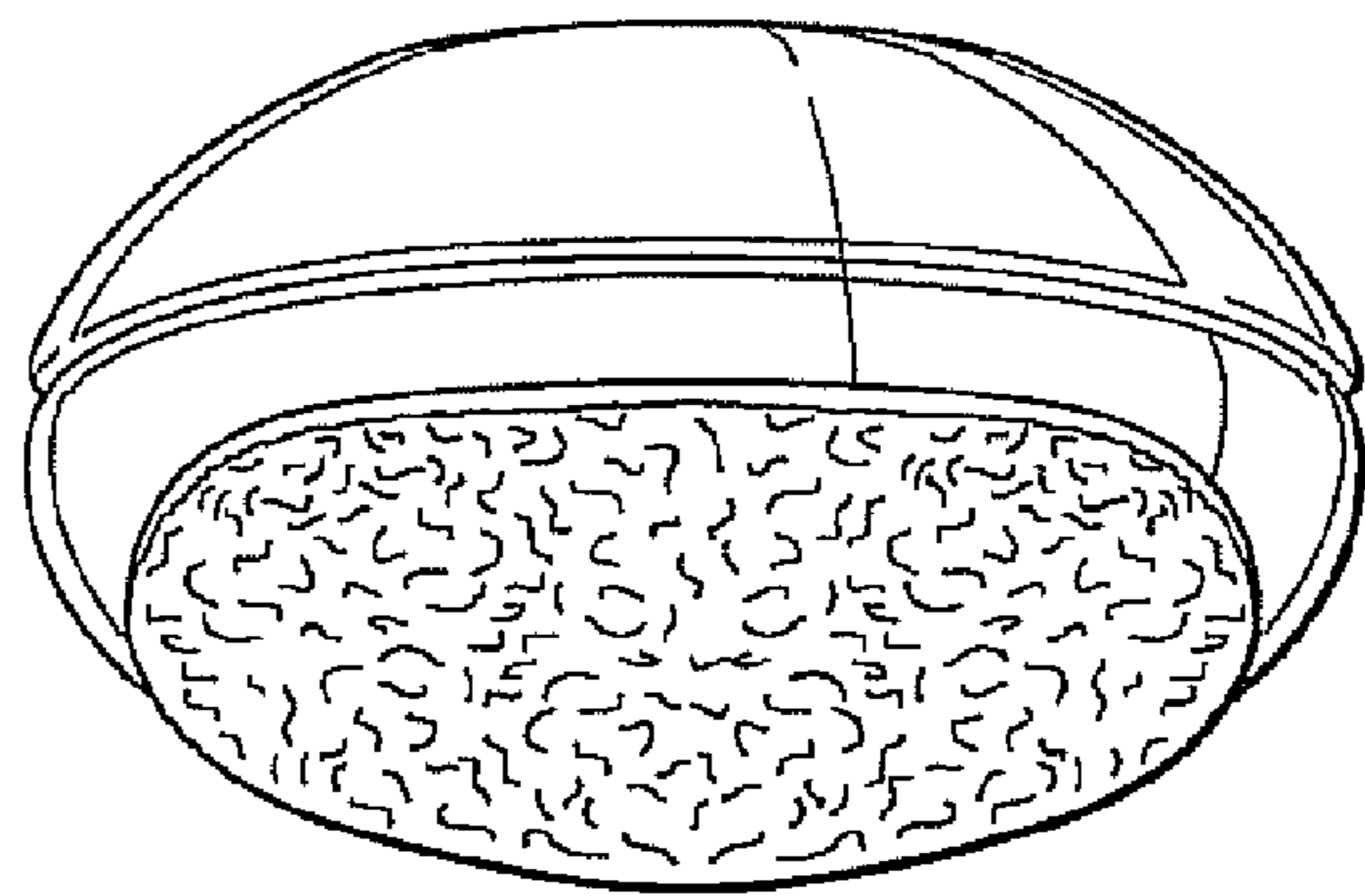
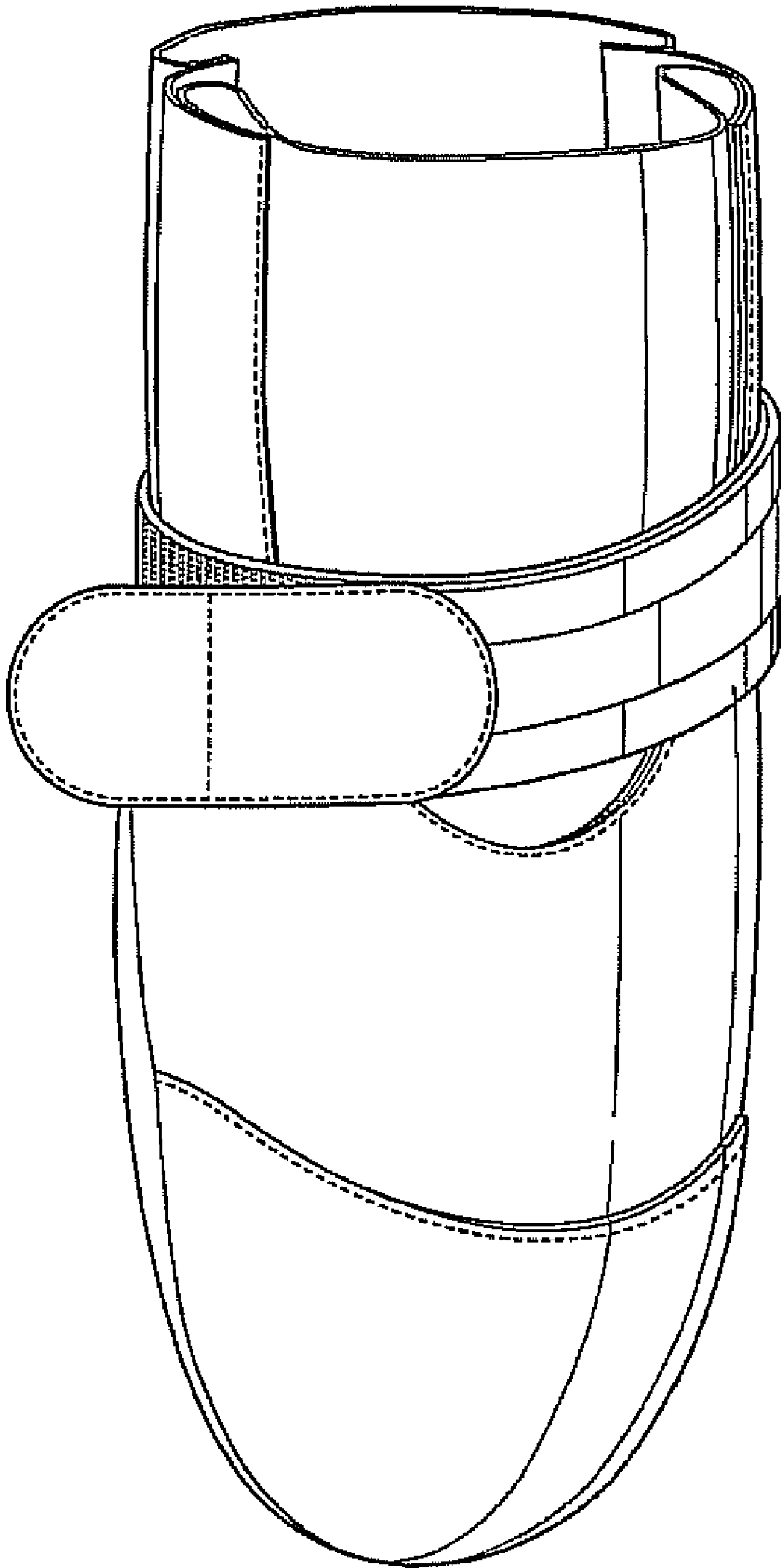


FIG. 7



**FIG. 8**