



(12) **United States Design Patent**  
**Trias**

(10) **Patent No.:** **US D633,257 S**  
(45) **Date of Patent:** **\*\* Feb. 22, 2011**

(54) **PET WRAP HARNESS**

(76) Inventor: **Irene Trias**, 3980 Ceasar Chavez, San Francisco, CA (US) 94131

(\*\*) Term: **14 Years**

(21) Appl. No.: **29/368,975**

(22) Filed: **Aug. 31, 2010**

(51) **LOC (9) Cl.** ..... **30-01**

(52) **U.S. Cl.** ..... **D30/145; D30/152**

(58) **Field of Classification Search** ..... D30/145,  
D30/144, 151-154; 119/678, 850, 673, 702,  
119/712, 792-798, 758, 760, 769, 770, 784,  
119/815, 818, 856, 863, 864, 905, 907, 802,  
119/857, 865, 725, 771; 52/3; 54/79.4, 79.1,  
54/80.1, 79.2; D3/271.2, 217, 327; 150/154;  
36/111; 604/293; 602/79, 61

See application file for complete search history.

(56) **References Cited**

**U.S. PATENT DOCUMENTS**

D228,926	S	*	10/1973	Mengler	.....	D30/145
4,114,352	A	*	9/1978	Horton et al.	.....	54/79.1
4,530,309	A	*	7/1985	Collins	.....	119/863
4,715,618	A	*	12/1987	Harris	.....	119/771
5,632,235	A	*	5/1997	Larsen et al.	.....	119/856
D453,594	S	*	2/2002	Ishihara	.....	D30/152
D455,873	S	*	4/2002	Constans	.....	D30/145
6,443,101	B1	*	9/2002	Fazio	.....	119/792

2003/0177984 A1\* 9/2003 Newman ..... 119/850  
2005/0217609 A1\* 10/2005 Dorton et al. .... 119/792

\* cited by examiner

*Primary Examiner*—Susan Moon Lee  
(74) *Attorney, Agent, or Firm*—Matlock Law Group, PC

(57) **CLAIM**

The ornamental design for a pet wrap harness, as shown and described.

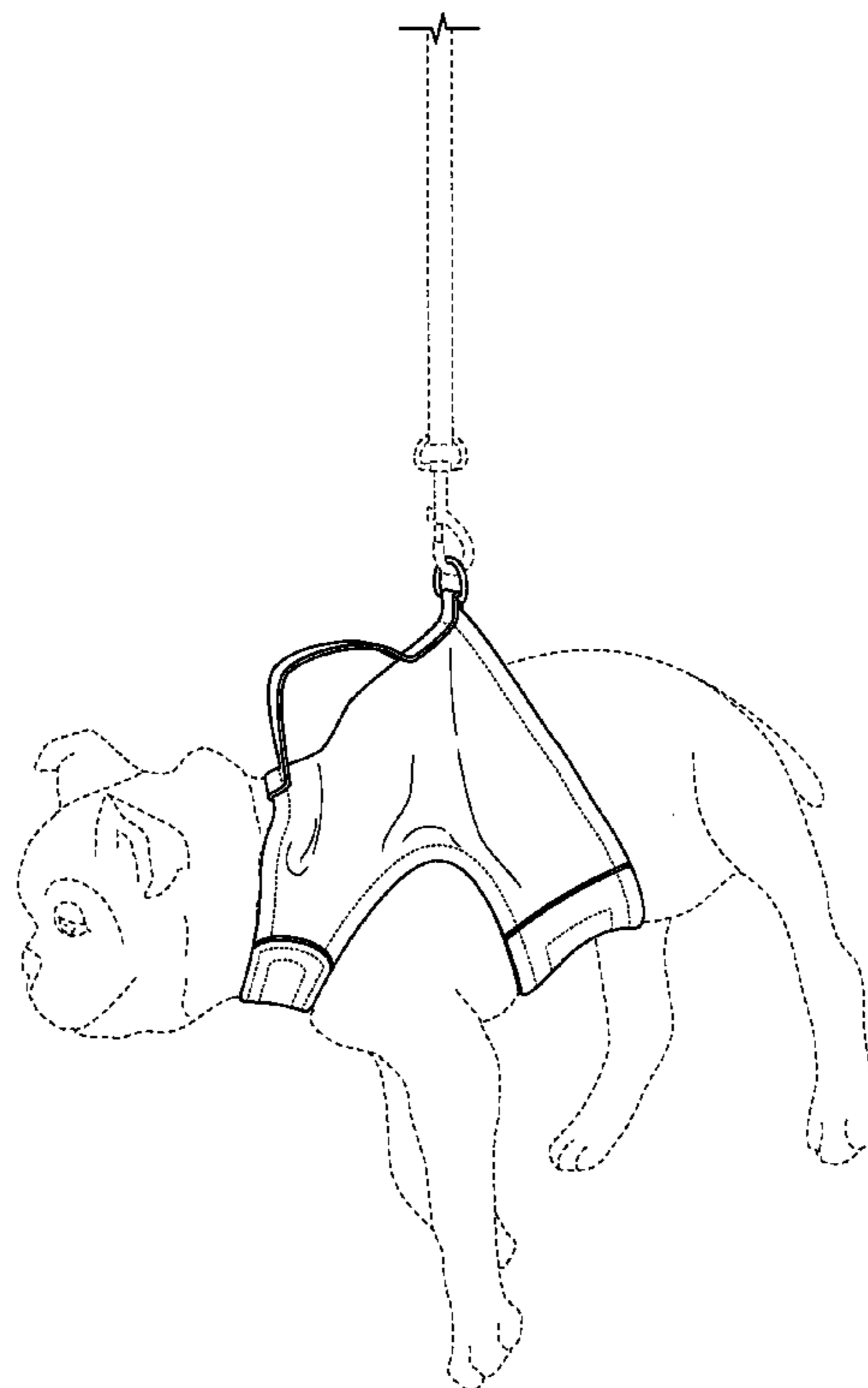
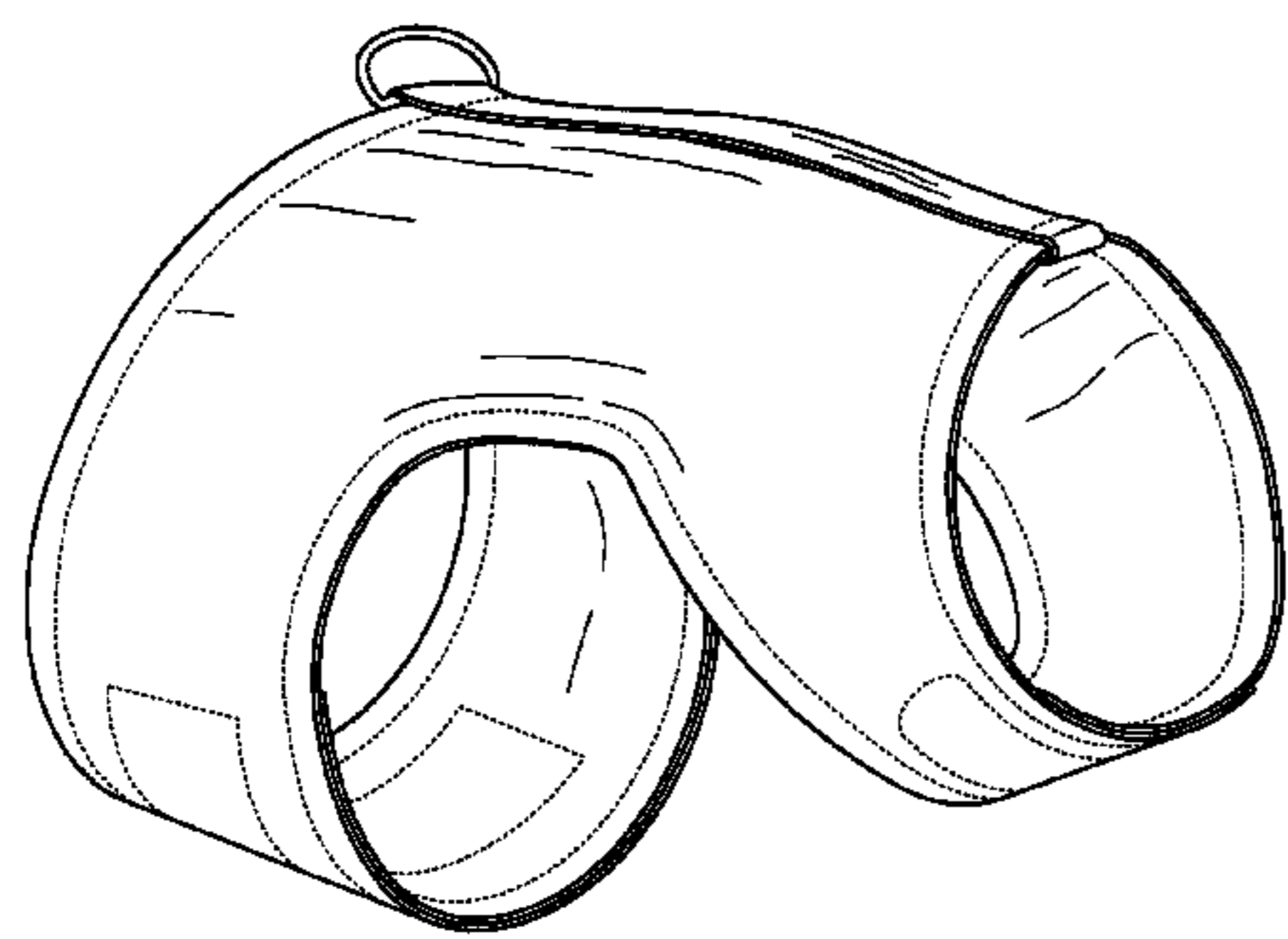
**DESCRIPTION**

FIG. 1 is a side, front perspective view of a pet wrap harness;  
FIG. 2 is a front view thereof;  
FIG. 3 is a rear view thereof;  
FIG. 4 is a side view thereof;  
FIG. 5 is a second side view thereof, opposite of FIG. 4;  
FIG. 6 is a top view thereof;  
FIG. 7 is a bottom view thereof; and,  
FIG. 8 is an in use perspective view thereof.

The broken lines are included for the purpose of illustrating environmental structure and form no part of the claimed design.

The stitching on the pet wrap harness forms part of the claimed design.

**1 Claim, 8 Drawing Sheets**



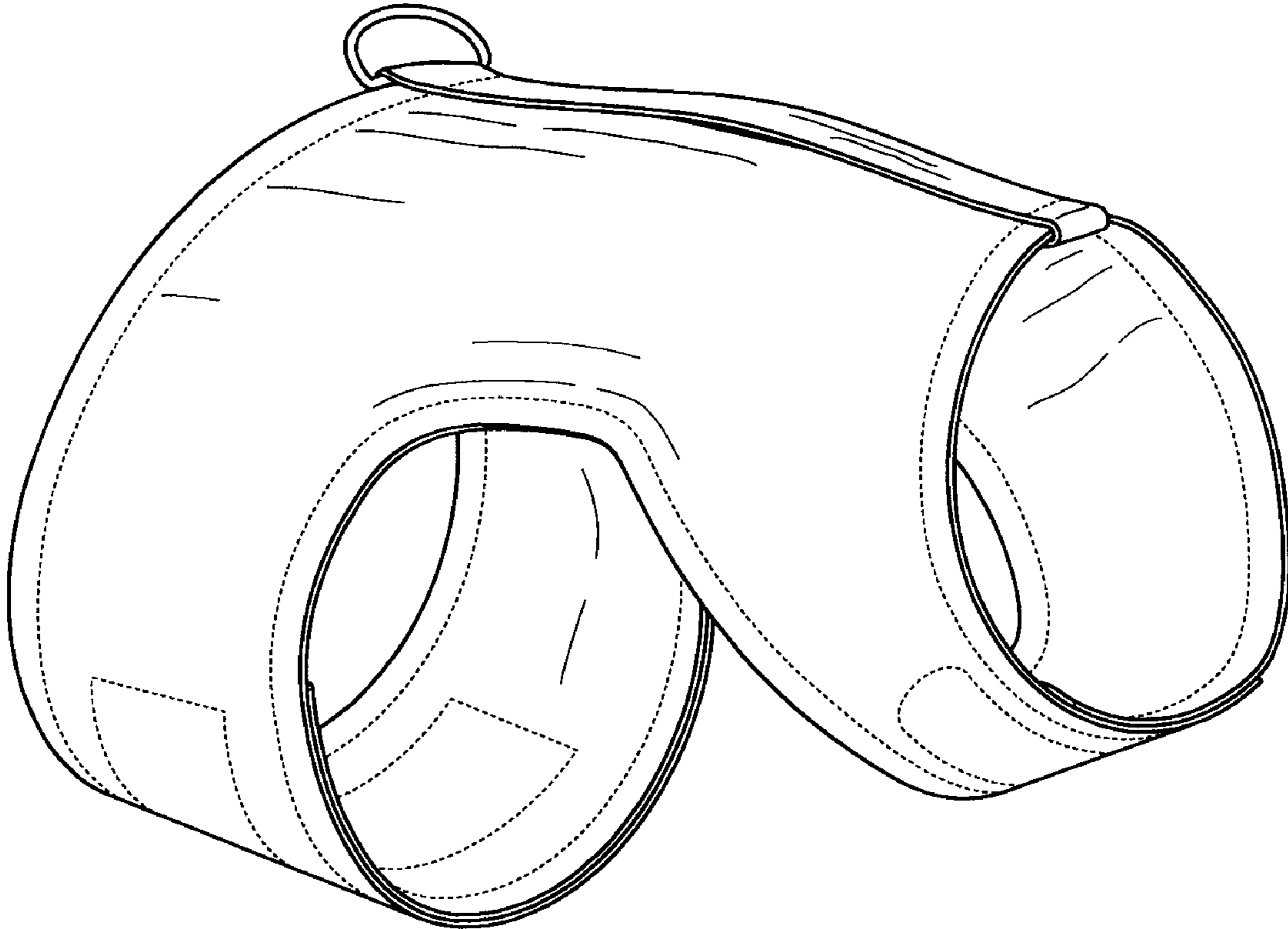
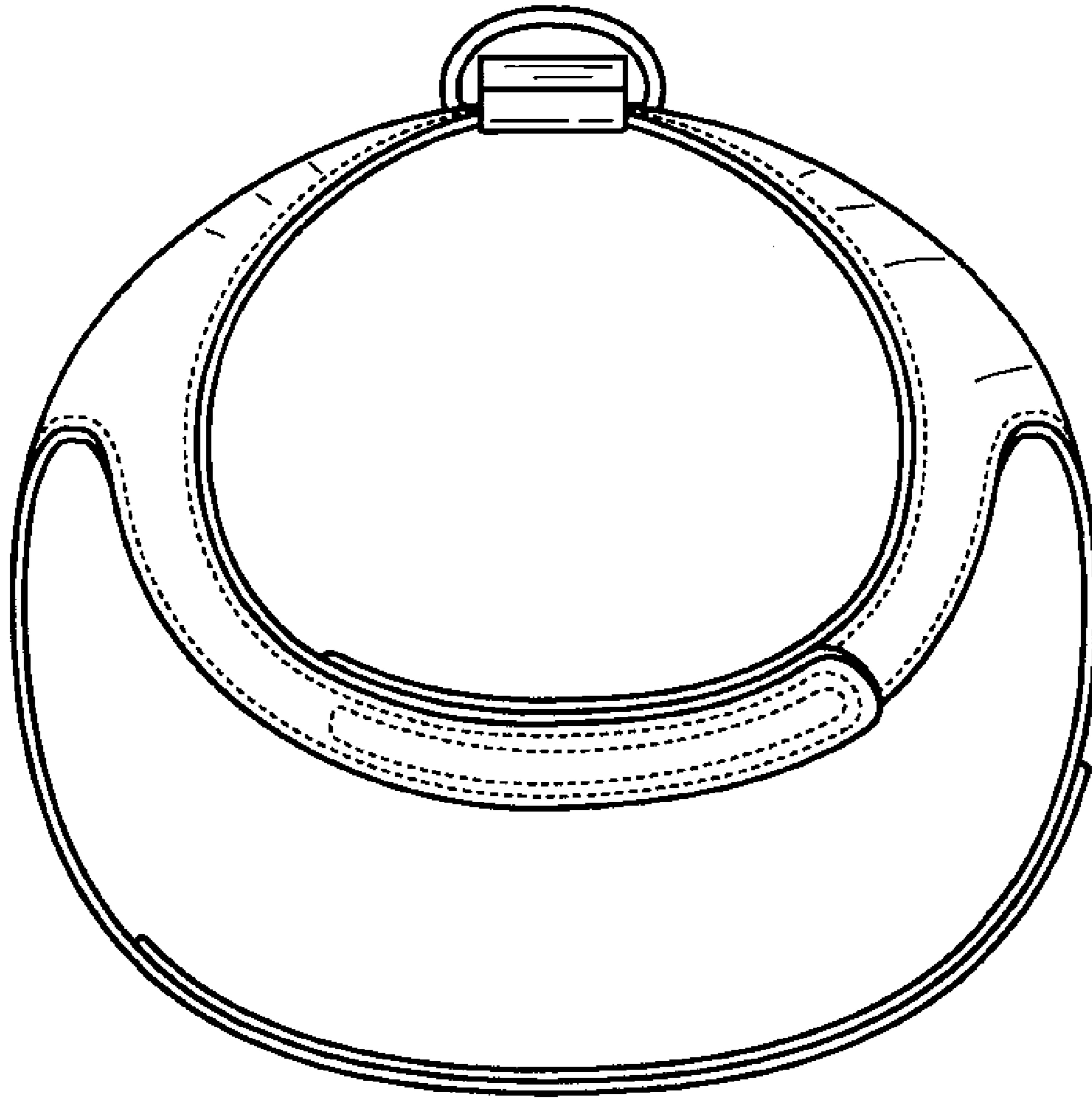
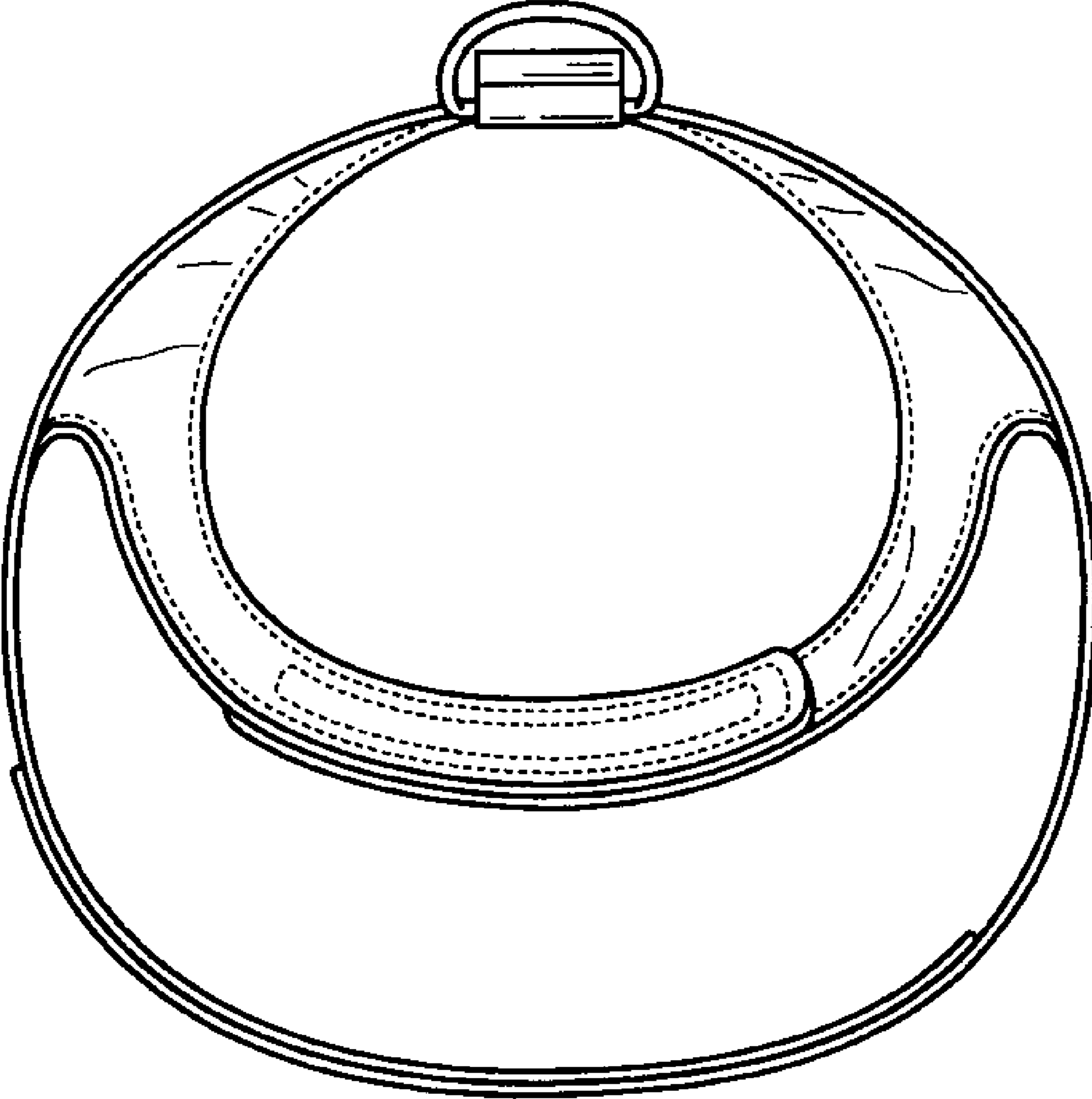


FIG. 1



**FIG. 2**



**FIG. 3**

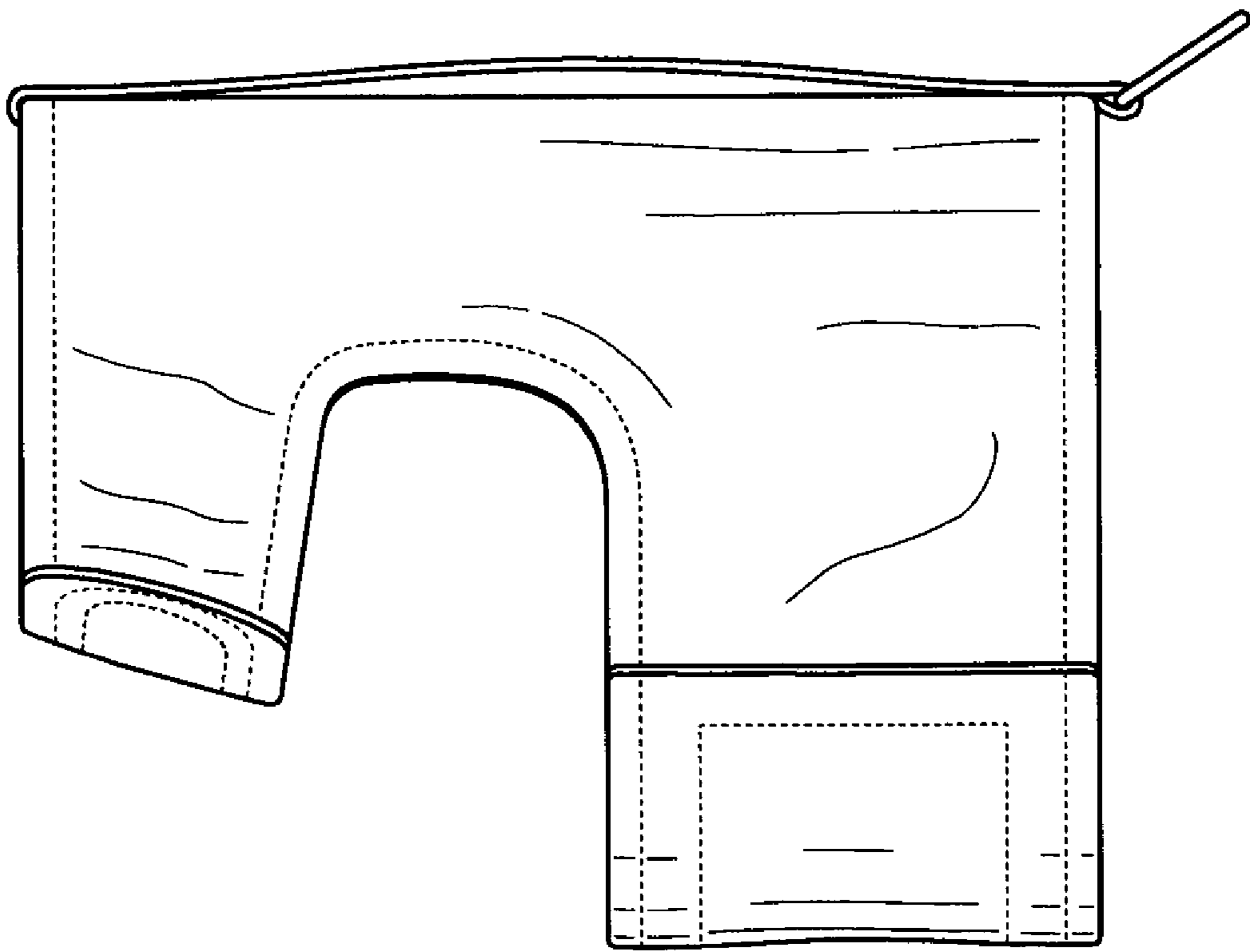


FIG. 4

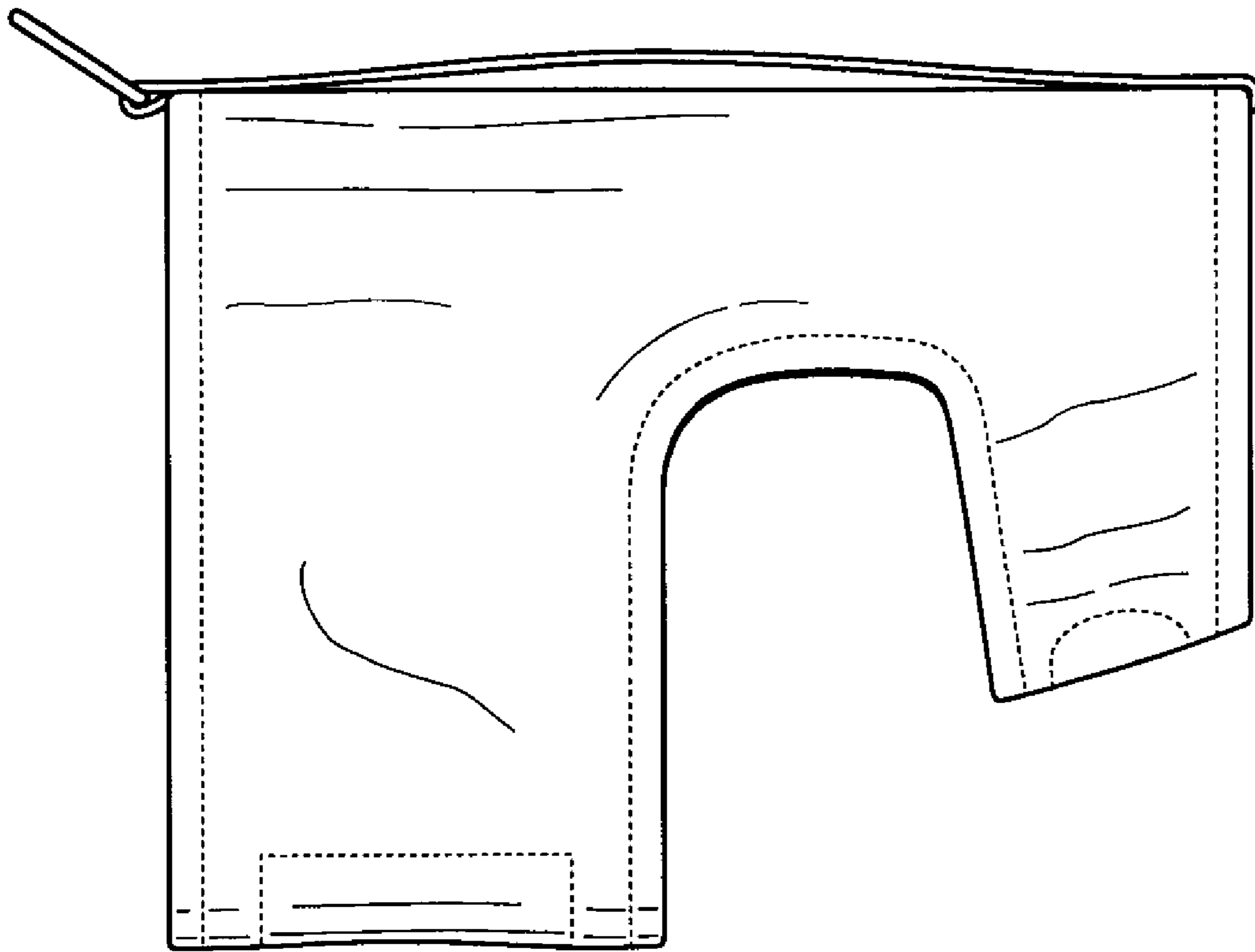
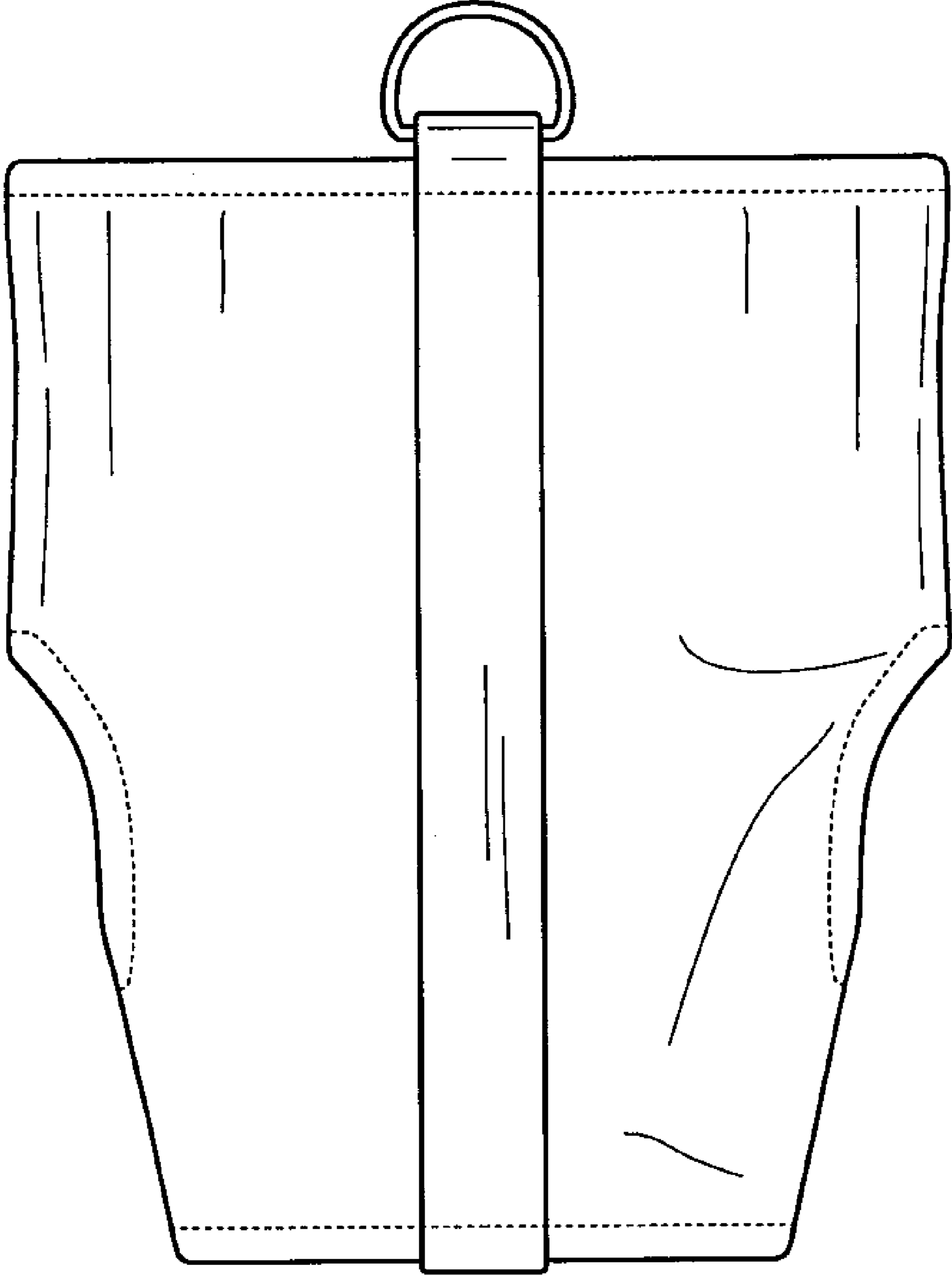
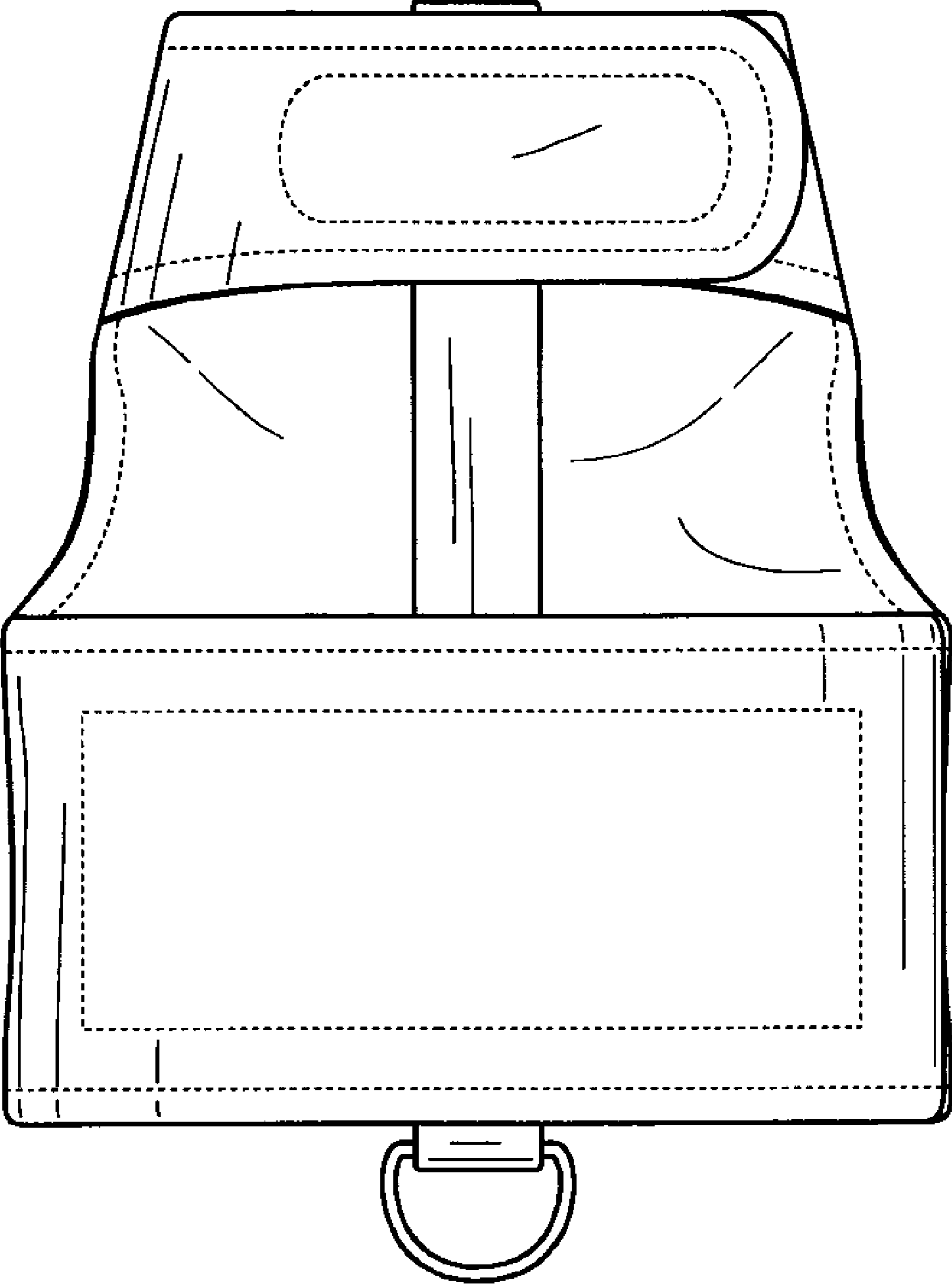


FIG. 5



**FIG. 6**



**FIG. 7**



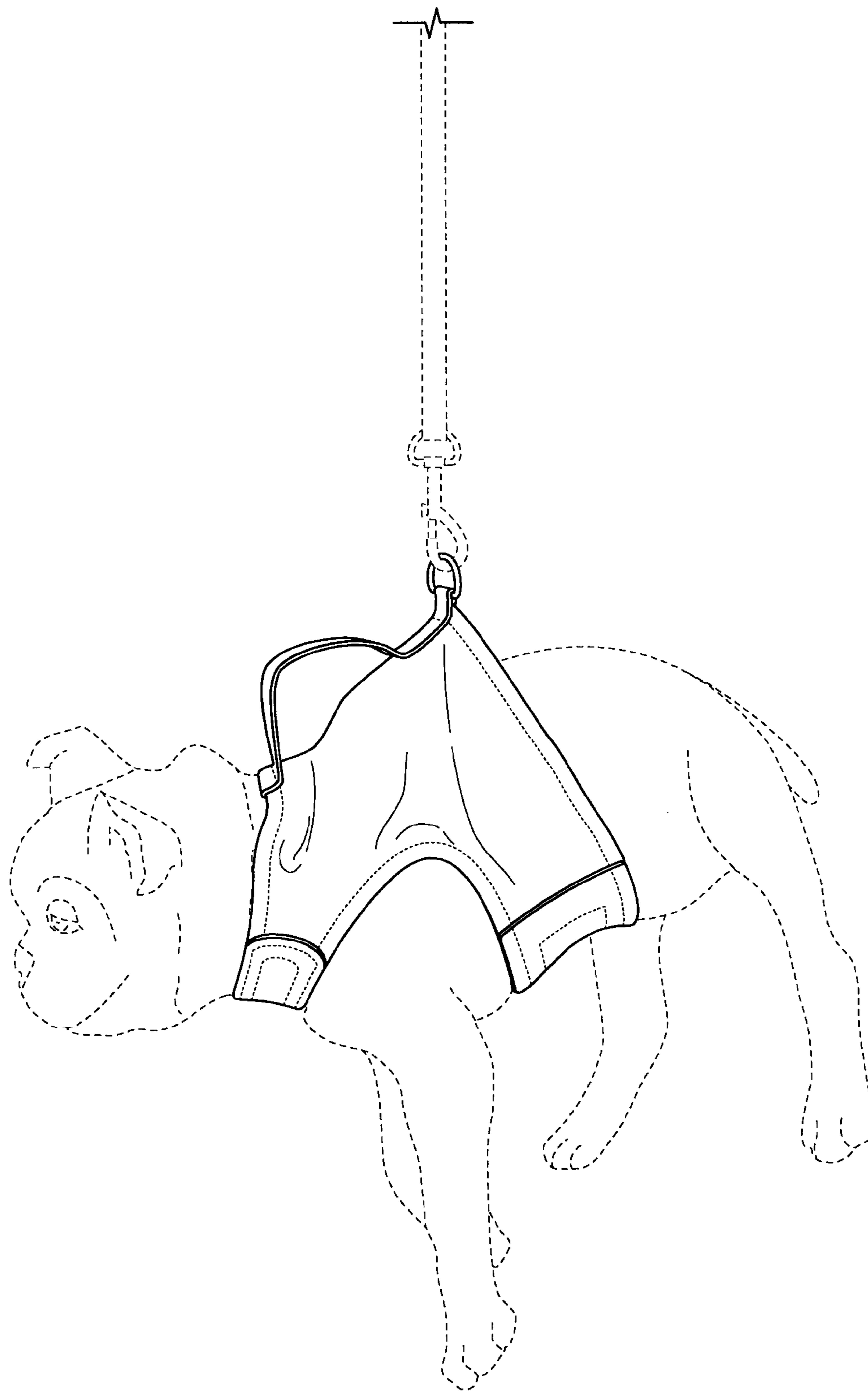


FIG. 8