



US00D633256S

(12) **United States Design Patent**
Lewis et al.

(10) **Patent No.:** **US D633,256 S**
(45) **Date of Patent:** **** Feb. 22, 2011**

(54) **DOG BED**

(76) Inventors: **Harland L. Lewis**, 4185 SW. 179th Way, Miramar, FL (US) 33029; **Kenia Lewis**, 4185 SW. 179th Way, Miramar, FL (US) 33029

(**) Term: **14 Years**

(21) Appl. No.: **29/343,206**

(22) Filed: **Sep. 9, 2009**

(51) **LOC (9) Cl.** **30-06**

(52) **U.S. Cl.** **D30/118**

(58) **Field of Classification Search** D30/118;
D6/388, 390, 595–597, 601, 604–605; 119/28.5
See application file for complete search history.

(56) **References Cited**

U.S. PATENT DOCUMENTS

4,286,344	A *	9/1981	Ikeda	D6/605
4,607,405	A *	8/1986	Ellis et al.	5/670
D306,245	S *	2/1990	Akhtarekhavari	D6/601
5,076,405	A *	12/1991	Modica	5/417
D353,494	S *	12/1994	Beger	D30/118
D381,232	S *	7/1997	Jansson	D6/596
5,797,347	A *	8/1998	Ochi	119/169
6,393,639	B1 *	5/2002	Ohsner	5/425
D463,701	S *	10/2002	Borcherding et al.	D6/601
D487,373	S *	3/2004	Ku	D6/604
6,912,743	B1 *	7/2005	Weil	5/93.1
D528,707	S *	9/2006	Deioma	D30/118

D561,952	S *	2/2008	Lamstein et al.	D30/118
D614,816	S *	4/2010	Zine	D30/118
2002/0108578	A1 *	8/2002	Kostial	119/28.5
2004/0134433	A1 *	7/2004	Holder	119/28.5

* cited by examiner

Primary Examiner—Cathy Anne MacCormac
(74) *Attorney, Agent, or Firm*—Gold & Rizvi, P.A.; H. John Rizvi; Glenn E. Gold

(57) **CLAIM**

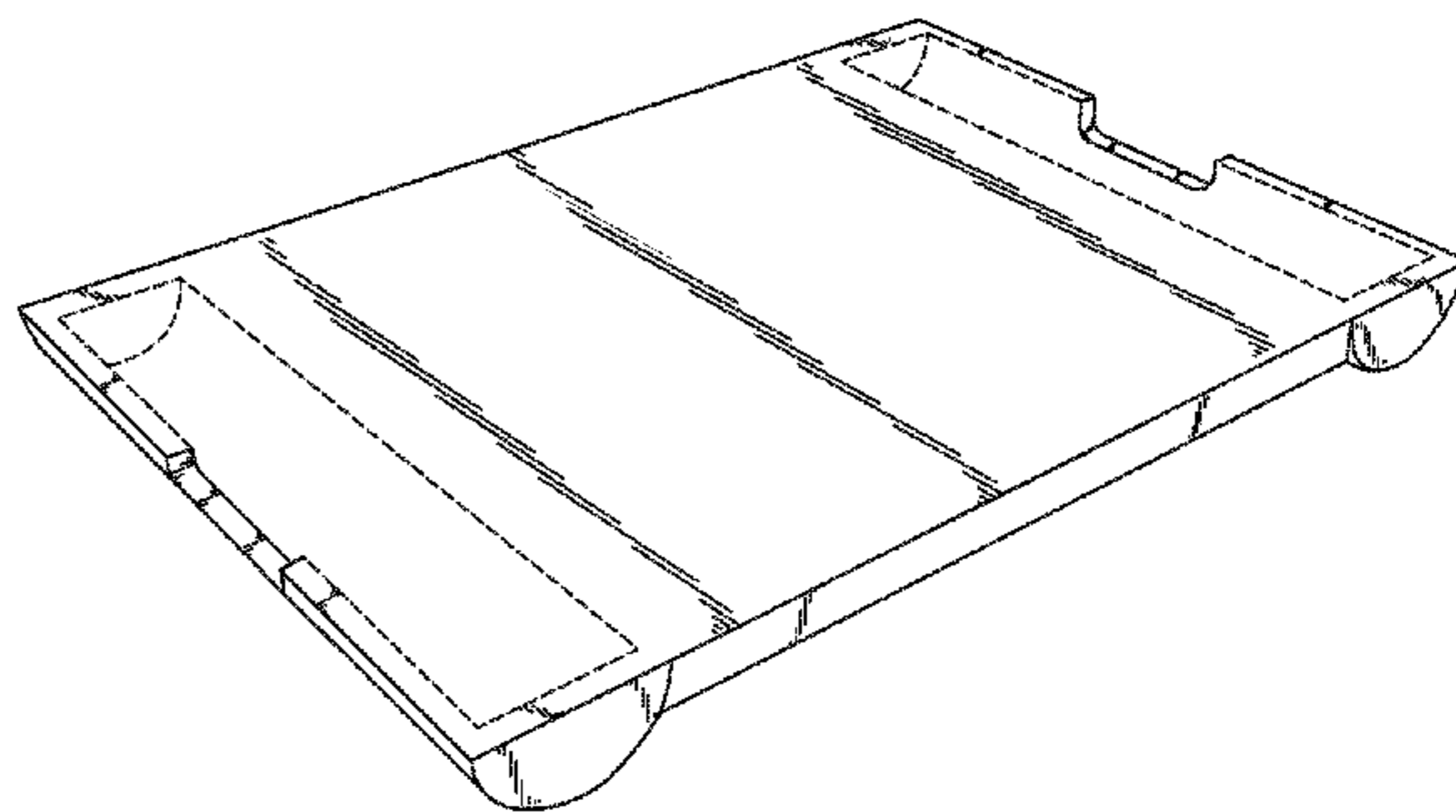
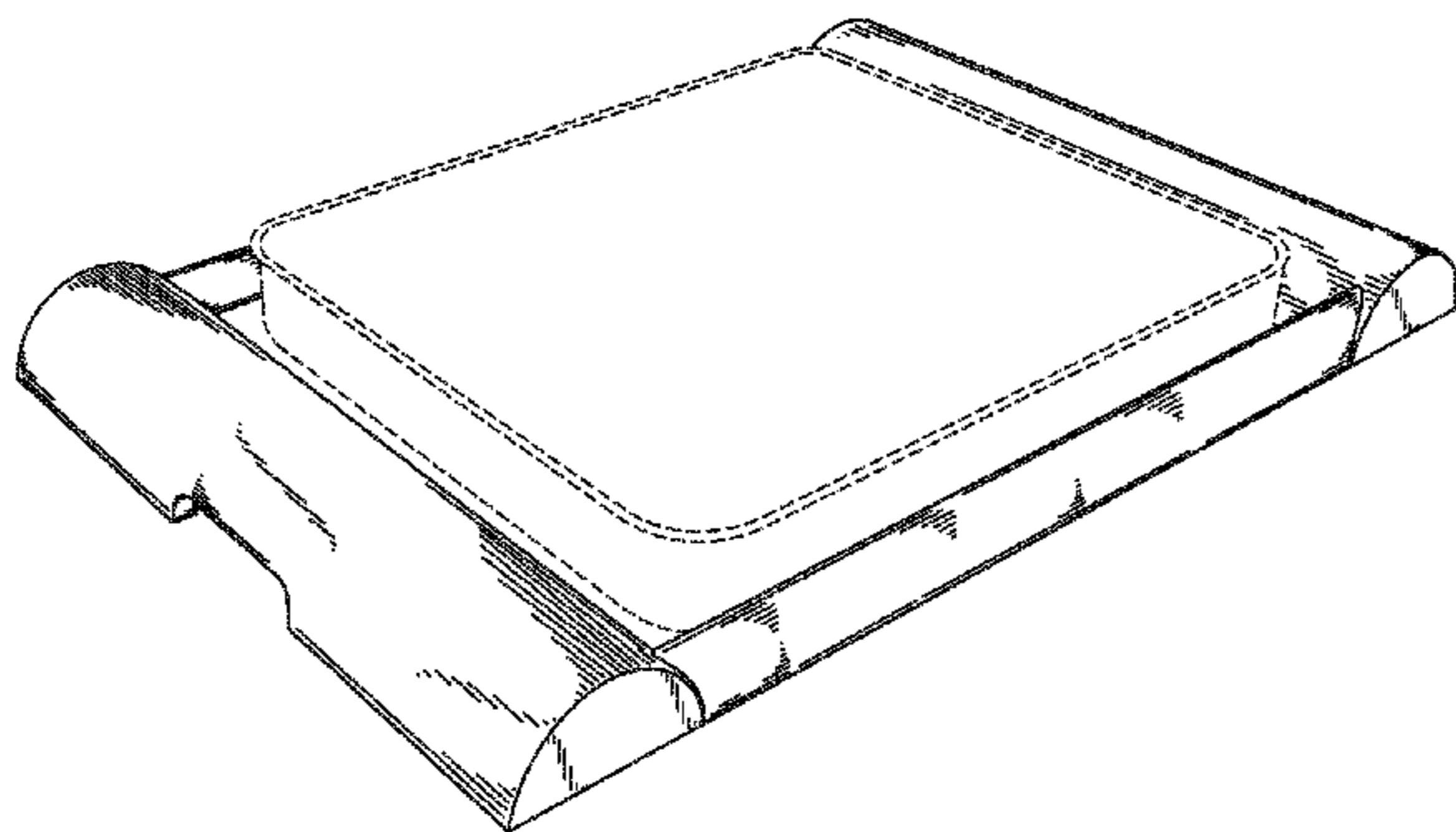
We claim the ornamental design for a dog bed, as shown and described.

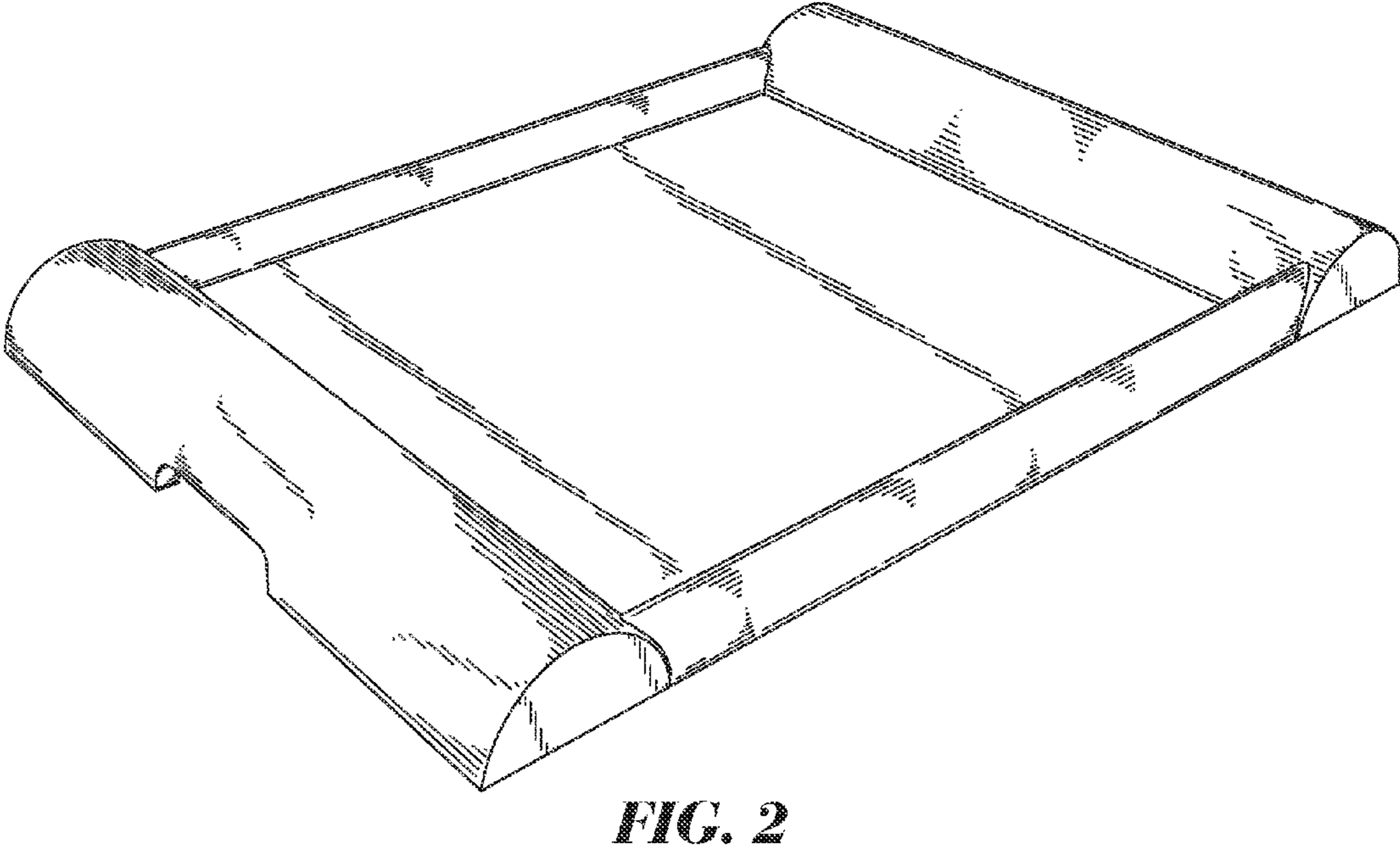
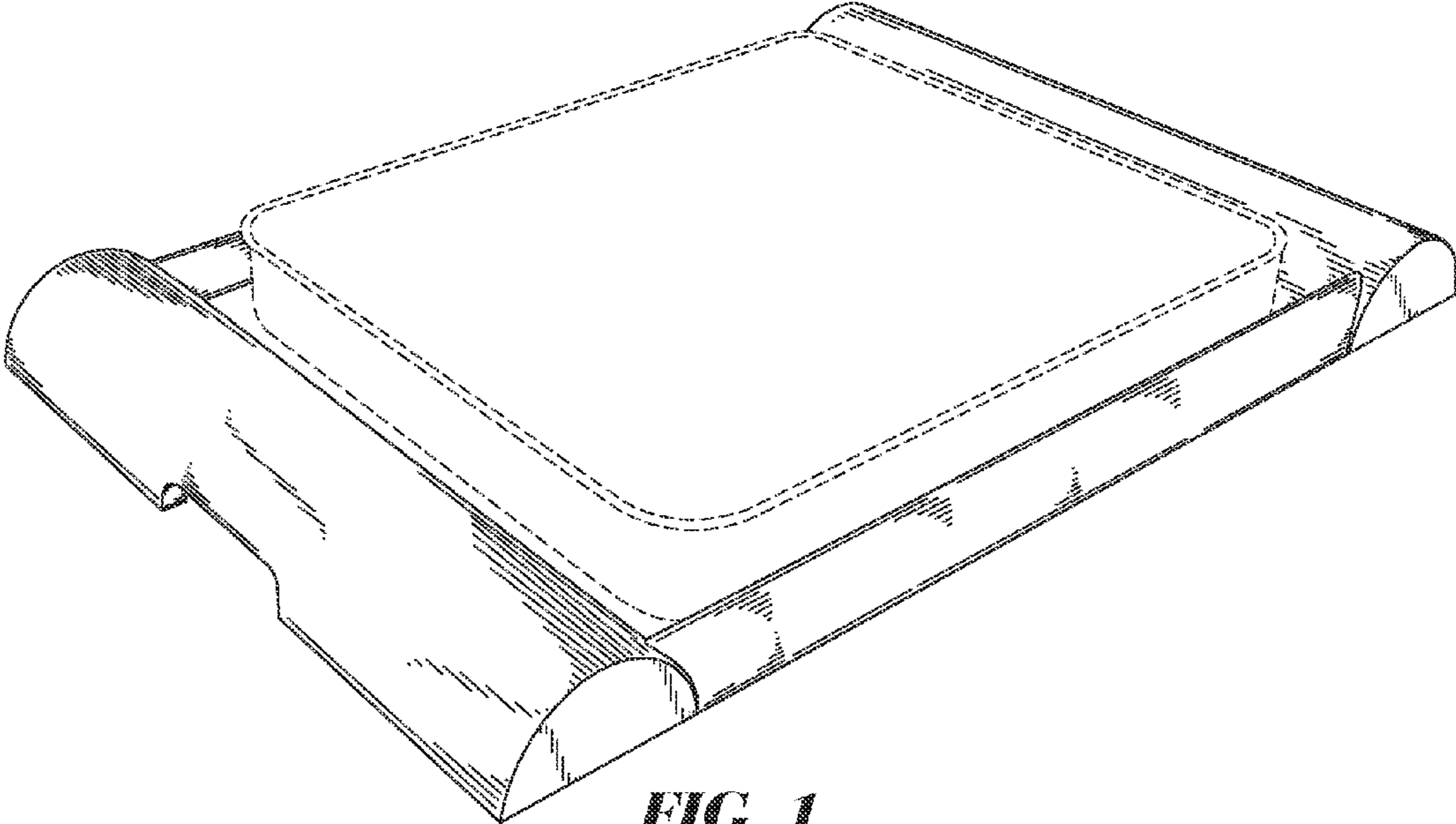
DESCRIPTION

FIG. 1 is a perspective top, front view of a dog bed;
FIG. 2 is another perspective top, front view thereof;
FIG. 3 is a perspective bottom, front view thereof;
FIG. 4 is a bottom view thereof;
FIG. 5 is a rear view thereof;
FIG. 6 is a top view thereof;
FIG. 7 is a front view thereof;
FIG. 8 is a right side view thereof; and,
FIG. 9 is a left side view thereof.

The Broken Lines are for illustration purposes only and do not form part of the claimed design.

1 Claim, 4 Drawing Sheets





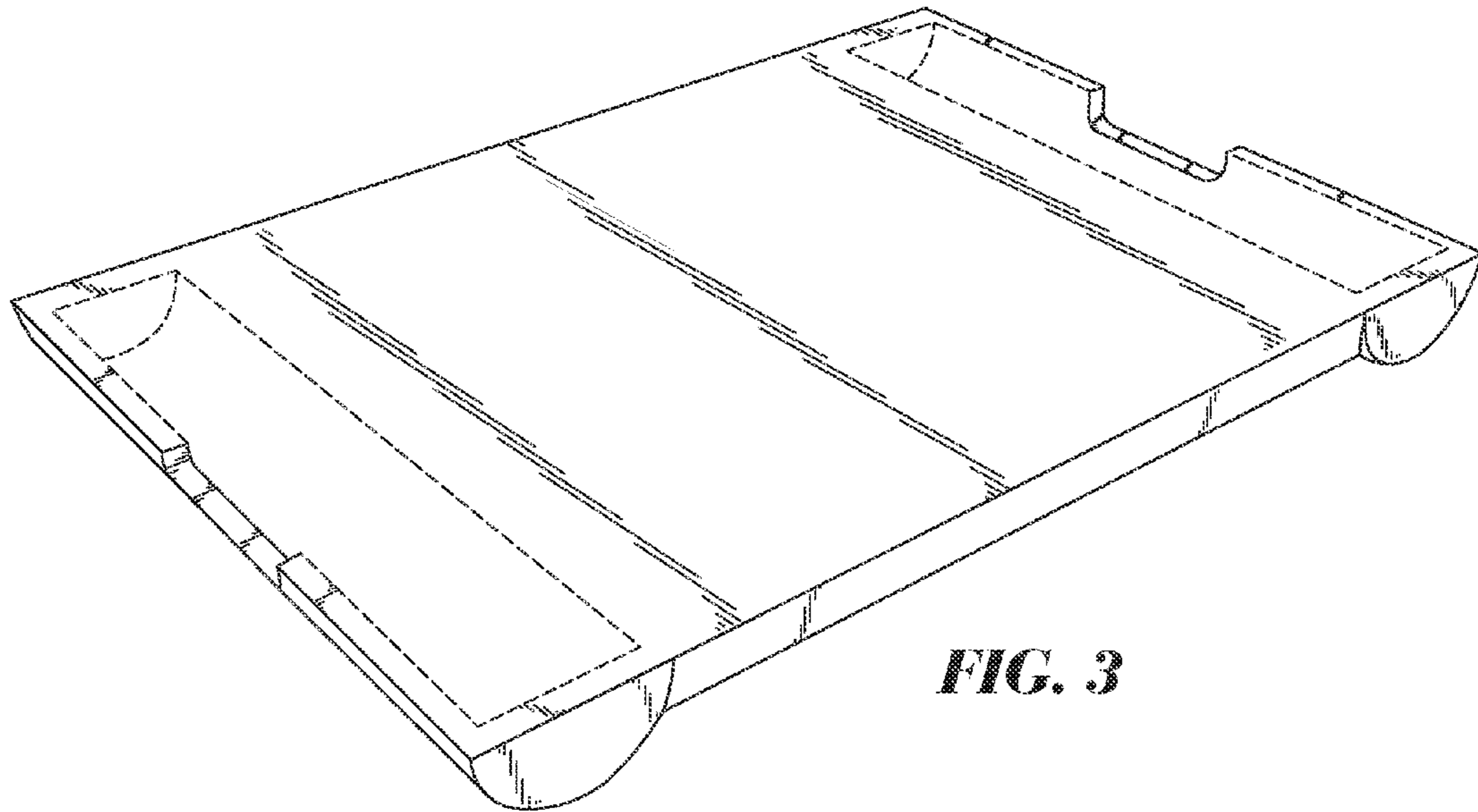


FIG. 3

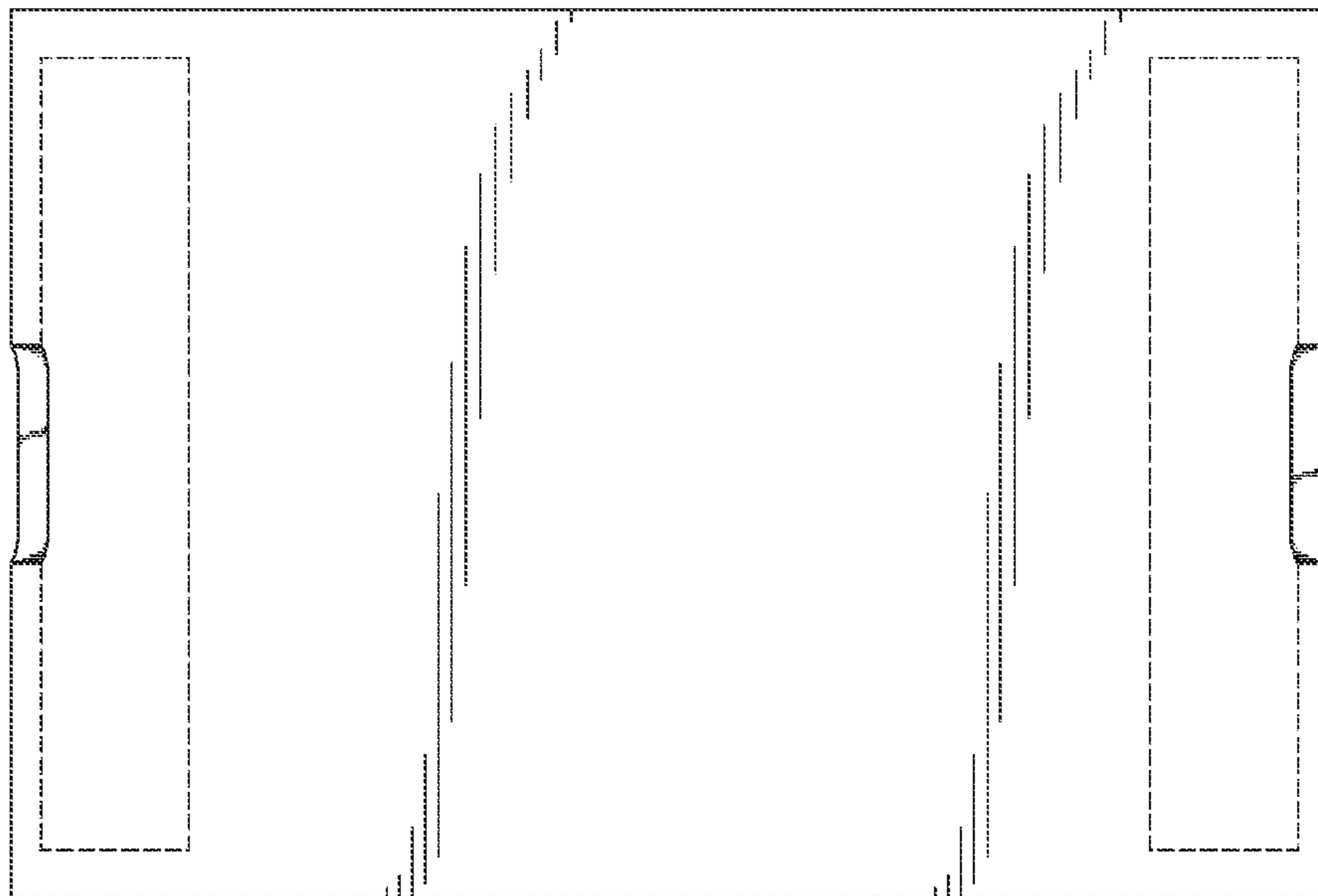


FIG. 4

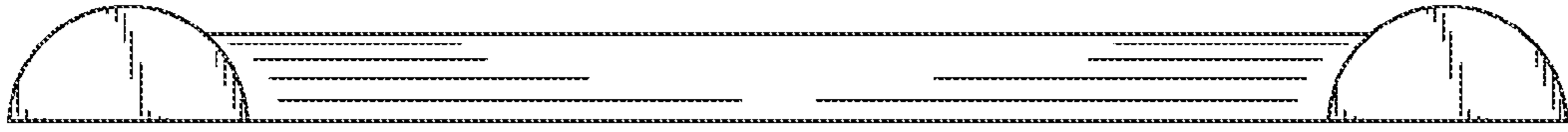


FIG. 5

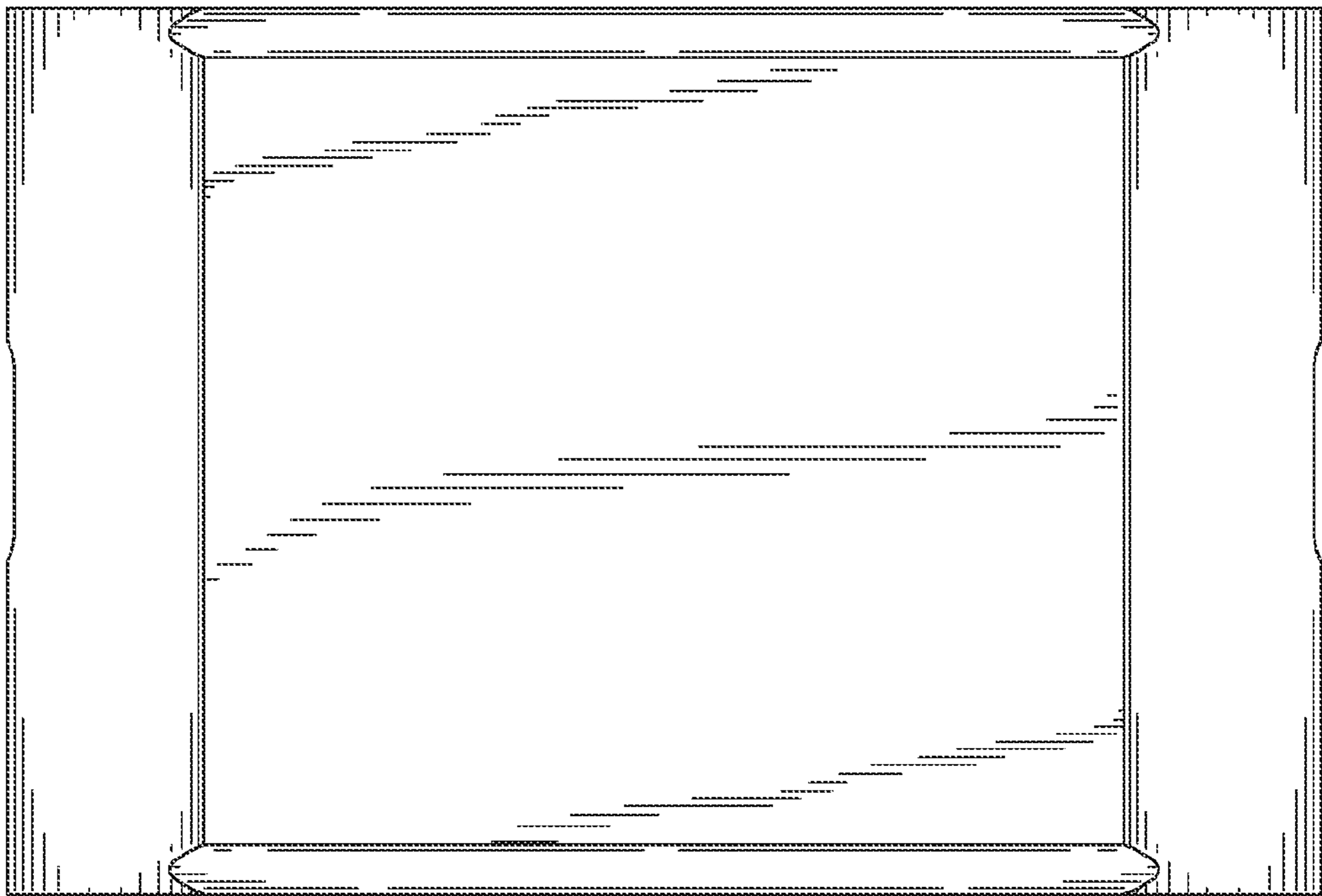


FIG. 6



FIG. 7

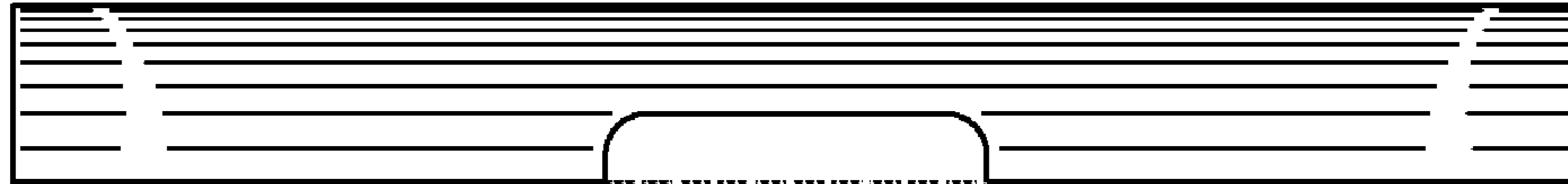


FIG. 8

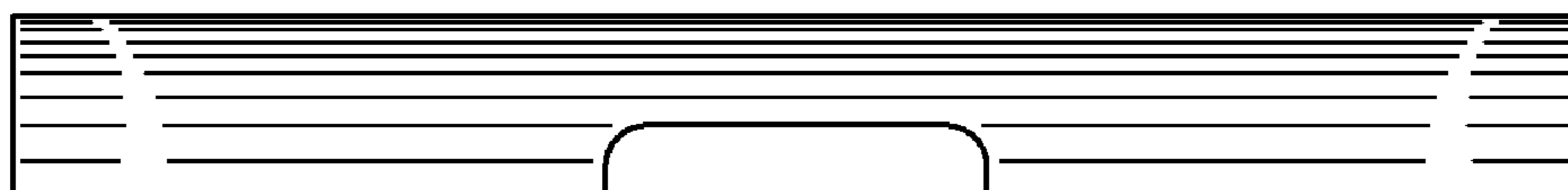


FIG. 9