



US00D633255S

(12) **United States Design Patent**
Foreman

(10) **Patent No.:** **US D633,255 S**
(45) **Date of Patent:** **** Feb. 22, 2011**

(54) **PATIENT HANDLER BELT**

(76) Inventor: **James O. Foreman**, 7957 Kittery Ave.,
North Charleston, SC (US) 29420

(**) Term: **14 Years**

(21) Appl. No.: **29/354,251**

(22) Filed: **Jan. 21, 2010**

(51) **LOC (9) Cl.** **29-02**

(52) **U.S. Cl.** **D29/101.1**

(58) **Field of Classification Search** D29/100,
D29/101.1, 101.2, 101.3, 101.4, 101.5; D2/627,
D2/629, 636; 2/300, 305, 311, 312, 321;
224/660; D21/683

See application file for complete search history.

(56) **References Cited**

U.S. PATENT DOCUMENTS

3,940,801	A *	3/1976	Riggs et al.	2/311
3,962,736	A	6/1976	Fedele		
4,048,681	A	9/1977	Baulch et al.		
4,723,327	A	2/1988	Smith		
4,744,115	A	5/1988	Marchione		
5,005,231	A	4/1991	Lonardo		
D323,636	S	2/1992	Walser et al.		
D371,333	S	7/1996	Fennell		
5,802,632	A	9/1998	Campbell		
5,963,995	A	10/1999	Glass		

D437,263	S	2/2001	Dahlberg et al.		
D480,535	S *	10/2003	Hammond	D2/627
D500,393	S *	12/2004	Beacham et al.	D29/100
D535,443	S *	1/2007	Pineda et al.	D29/100

* cited by examiner

Primary Examiner—Robert M Spear
Assistant Examiner—Barbara B Lohr

(57) **CLAIM**

The ornamental design for a patient handler belt, as shown and described.

DESCRIPTION

FIG. 1 is a perspective view of a patient handler belt showing my design;

FIG. 2 is a front view thereof;

FIG. 3 is a back view thereof;

FIG. 4 is a side view thereof;

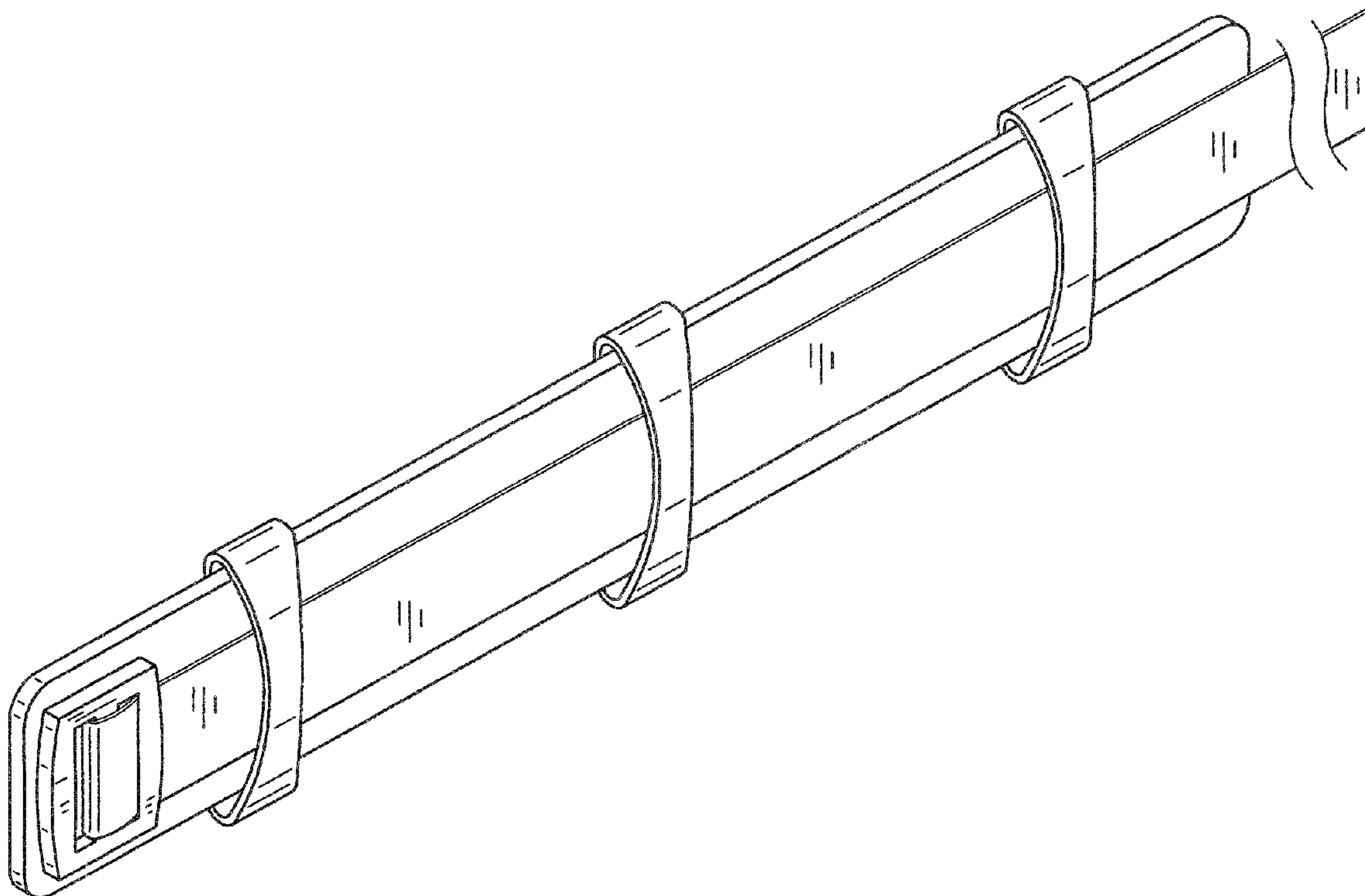
FIG. 5 is an opposite side view thereof;

FIG. 6 is a top view thereof; and,

FIG. 7 is a bottom view thereof.

FIGS. 1, 2, 3, 6 and 7 are shown broken away to indicate that the belt has no specific length. The broken away areas and the break lines form no part of the claimed design.

1 Claim, 3 Drawing Sheets



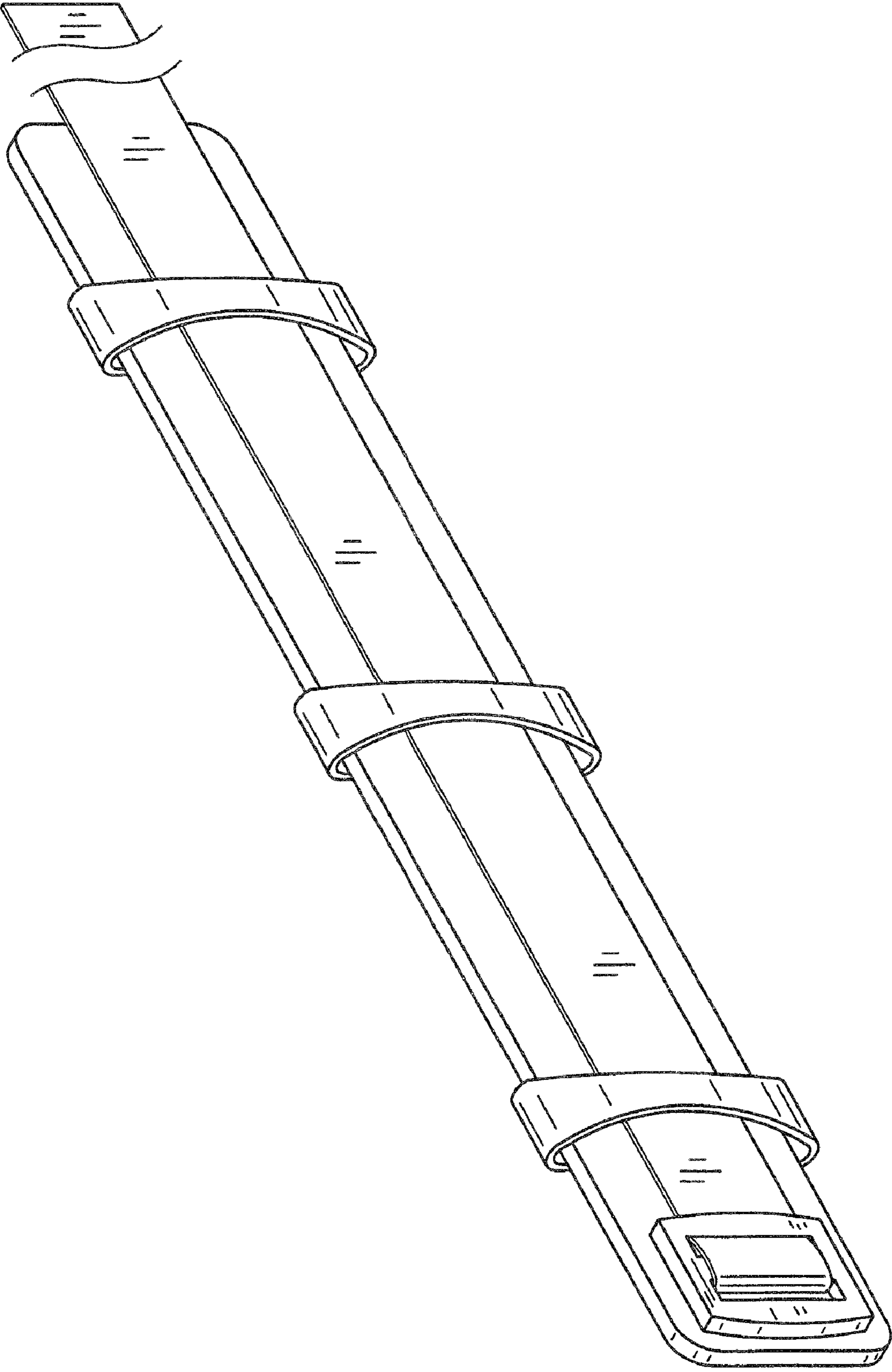


FIG. 1

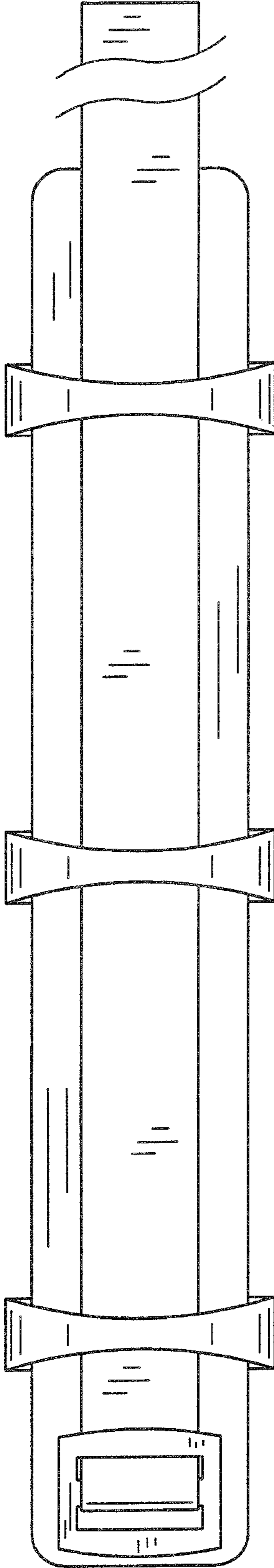


FIG. 2

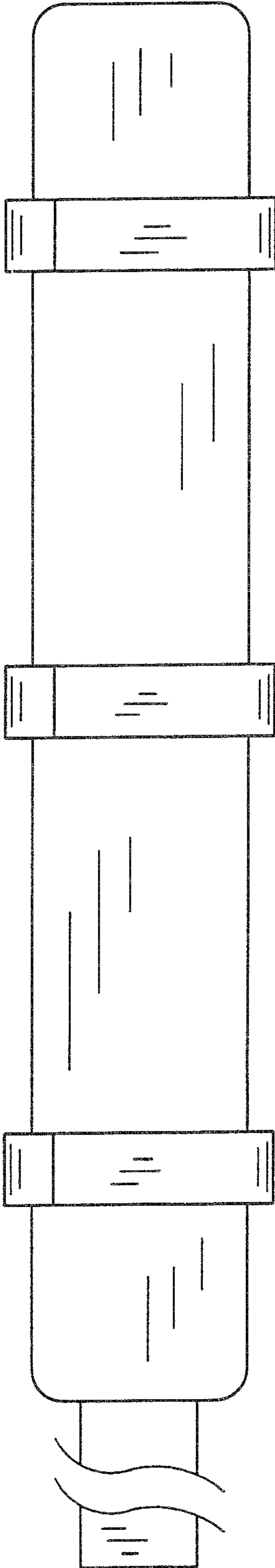


FIG. 3



FIG. 4

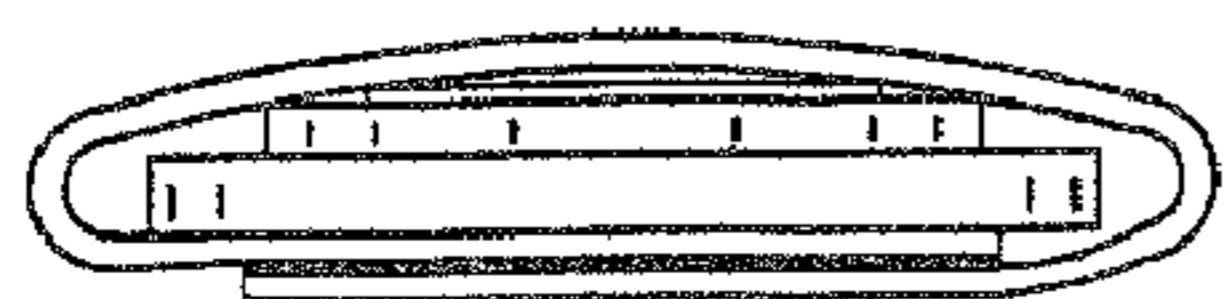


FIG. 5

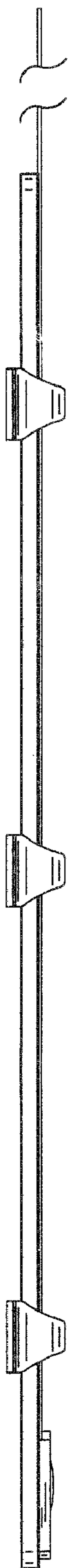


FIG. 6

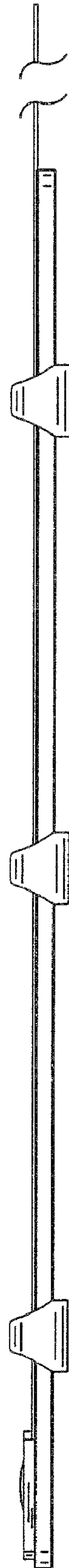


FIG. 7