



US00D633254S

(12) **United States Design Patent**  
**Witkus**

(10) **Patent No.:** **US D633,254 S**

(45) **Date of Patent:** **\*\* Feb. 22, 2011**

(54) **RAZOR CARTRIDGE**

(75) Inventor: **Stephen Charles Witkus**, Northbridge,  
MA (US)

(73) Assignee: **The Gillette Company**, Boston, MA  
(US)

(\*\*) Term: **14 Years**

(21) Appl. No.: **29/379,794**

(22) Filed: **Nov. 24, 2010**

**Related U.S. Application Data**

(62) Division of application No. 29/356,733, filed on Mar.  
2, 2010.

(51) **LOC (9) Cl.** ..... **28-03**

(52) **U.S. Cl.** ..... **D28/47**

(58) **Field of Classification Search** ..... 30/32,  
30/34.05, 34.1-34.2, 41, 44-46, 47-51, 57-58,  
30/77-84, 526-536, 537-539, 346.5-346.61;  
D28/44-49

See application file for complete search history.

(56) **References Cited**

**U.S. PATENT DOCUMENTS**

D298,068 S 10/1988 Gilder

5,134,775 A 8/1992 Wolfgang et al.  
D601,753 S \* 10/2009 Cataudella et al. .... D28/47  
D602,634 S \* 10/2009 Cataudella et al. .... D28/46  
D608,501 S \* 1/2010 Wain ..... D28/47  
D611,199 S \* 3/2010 Kwiecien et al. .... D28/47  
D622,905 S \* 8/2010 Wain ..... D28/47  
D625,049 S \* 10/2010 Bridges et al. .... D28/47

\* cited by examiner

*Primary Examiner*—Jennifer Rivard

(74) *Attorney, Agent, or Firm*—Joanne N. Pappas; Kevin C.  
Johnson; Steven W. Miller

(57) **CLAIM**

I claim the ornamental design for a razor cartridge, as shown  
and described.

**DESCRIPTION**

FIG. 1 is a perspective view of a razor cartridge of the present  
invention;

FIG. 2 is a front view thereof;

FIG. 3 is rear view thereof;

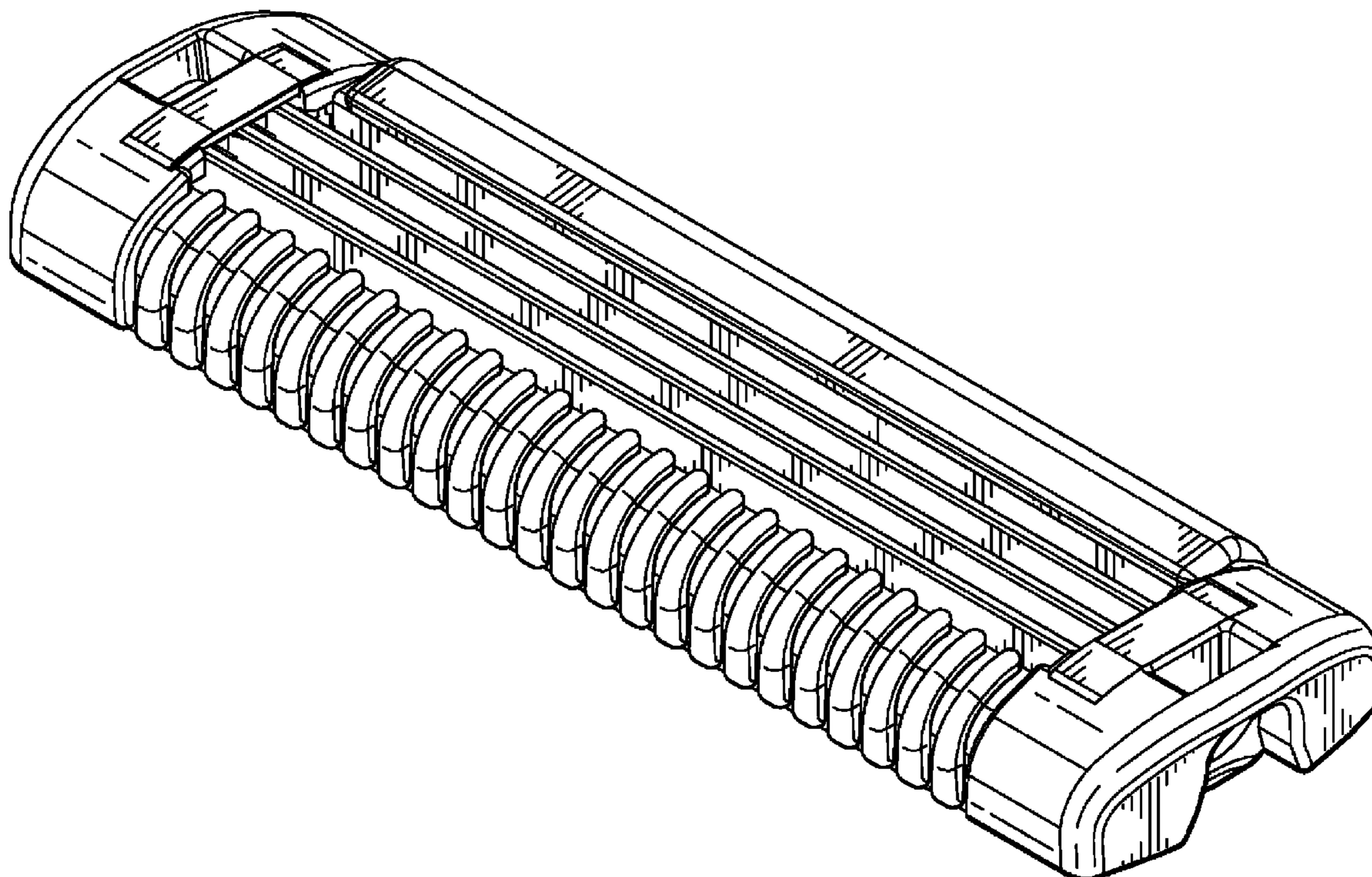
FIG. 4 is a right side view thereof;

FIG. 5 is a left side view thereof;

FIG. 6 is a top view thereof; and,

FIG. 7 is a bottom view thereof.

**1 Claim, 4 Drawing Sheets**



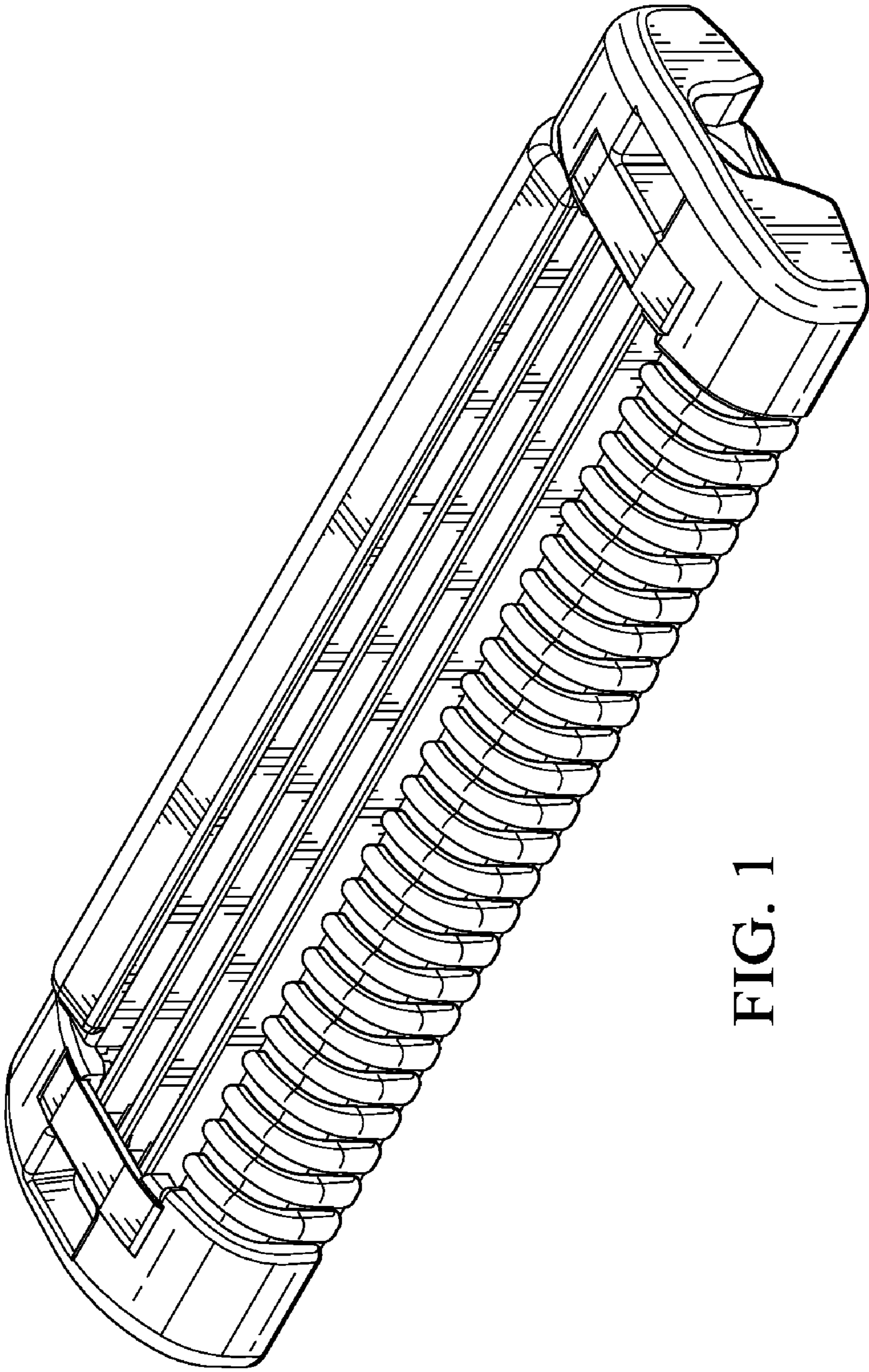


FIG. 1

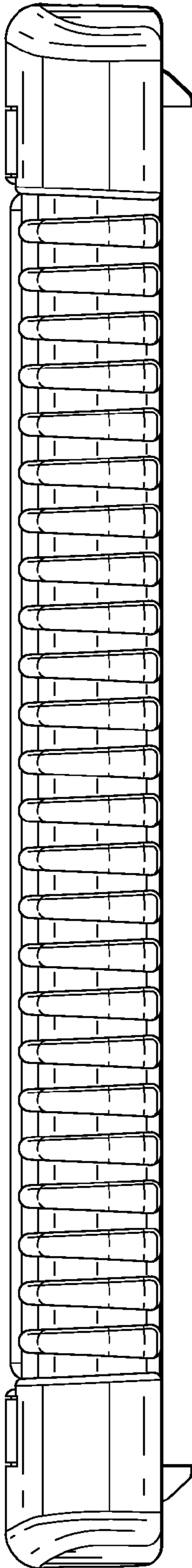


FIG. 2

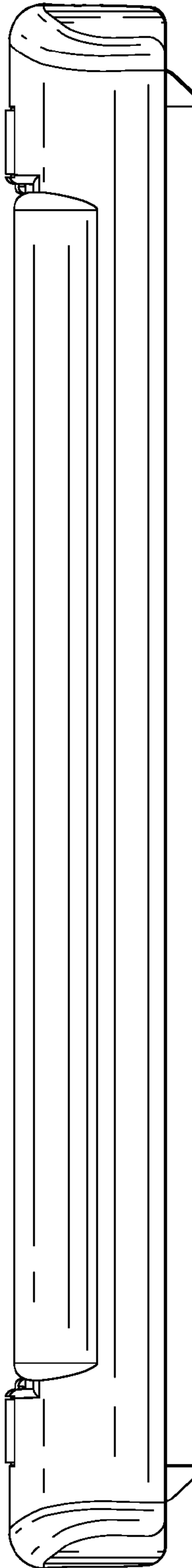


FIG. 3

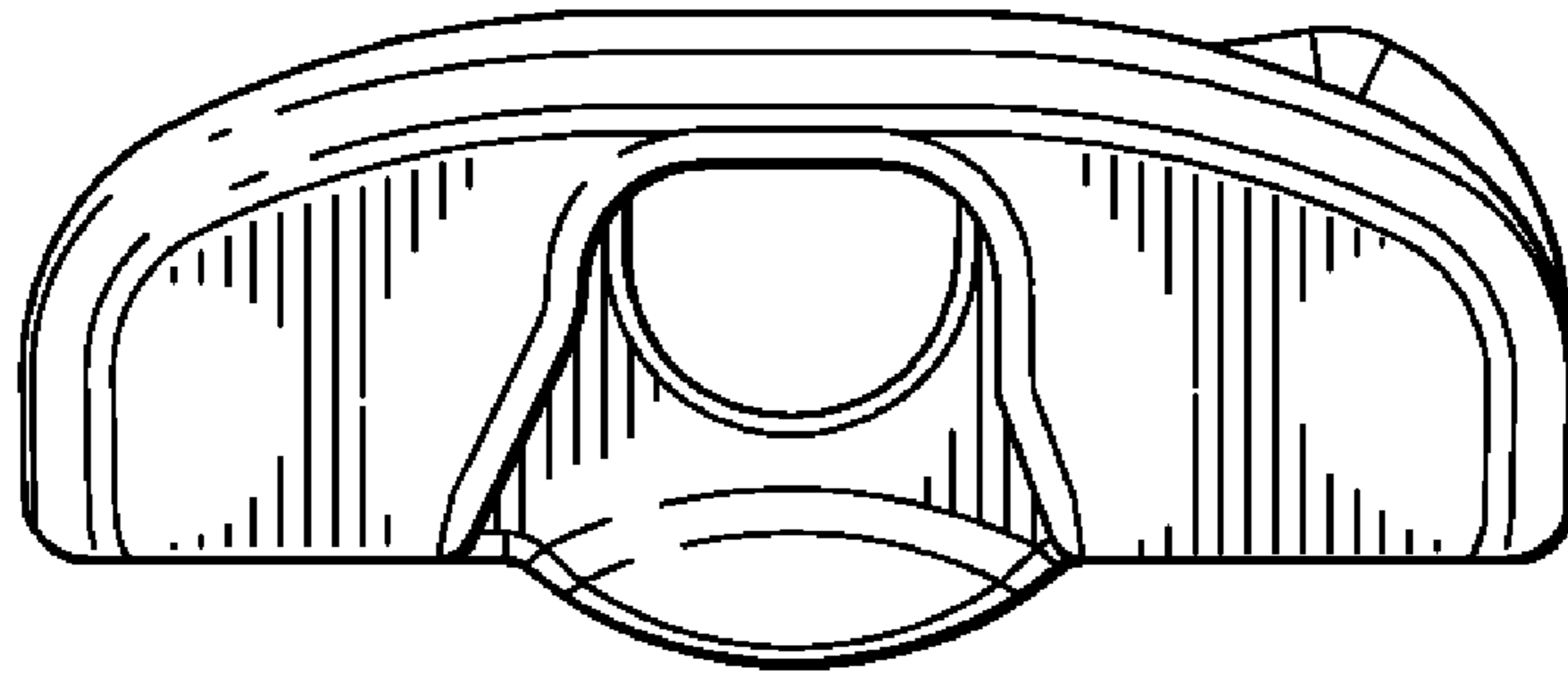


FIG. 4

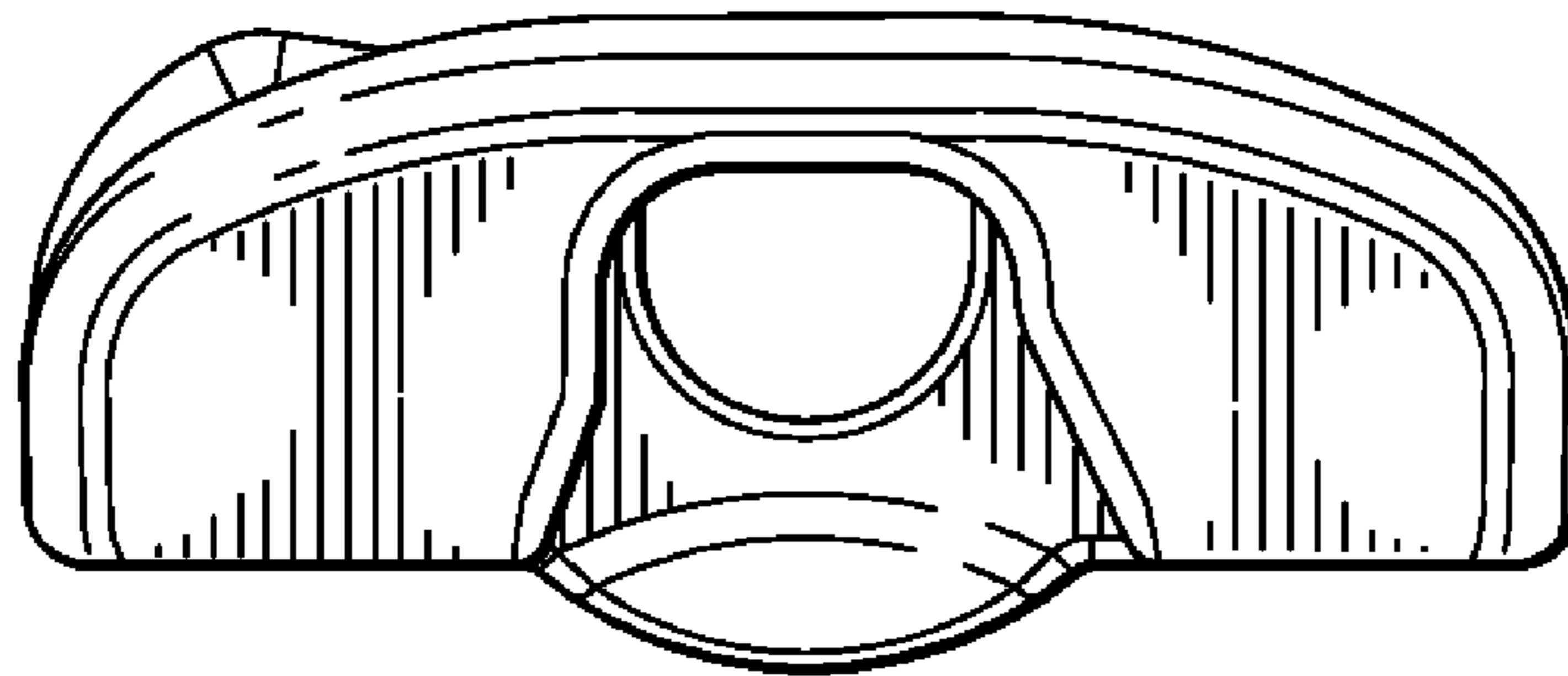


FIG. 5

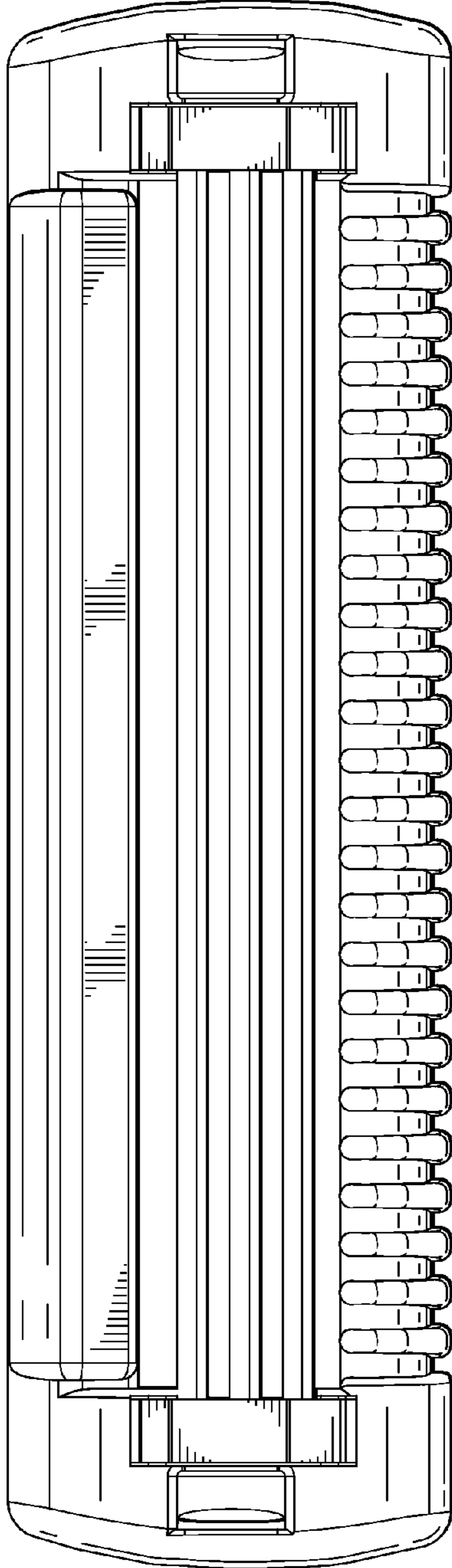


FIG. 6

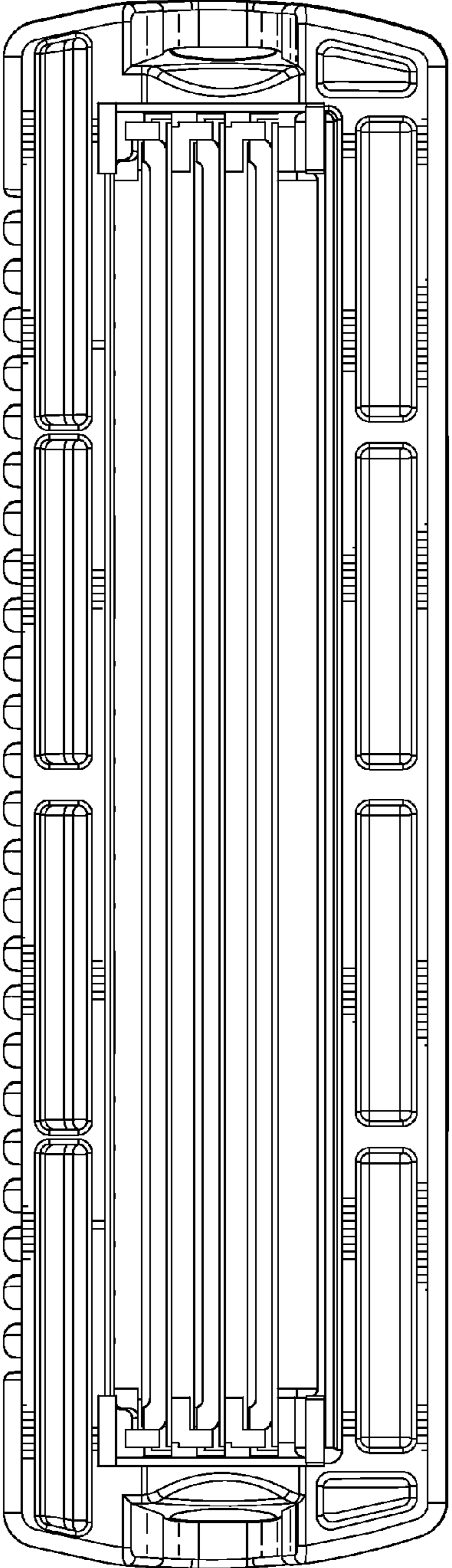


FIG. 7