



US00D633250S

(12) **United States Design Patent**
Kao

(10) **Patent No.:** **US D633,250 S**
(45) **Date of Patent:** **** Feb. 22, 2011**

(54) **CLAMP FOR A LIGHT**

(76) Inventor: **Yu-Che Kao**, 12F-4, No. 666, Sec. 2,
Wuquan W. Rd., Nantun District,
Taichung City (TW) 40878

(**) Term: **14 Years**

(21) Appl. No.: **29/341,316**

(22) Filed: **Aug. 3, 2009**

(51) **LOC (9) Cl.** **26-99**

(52) **U.S. Cl.** **D26/140**

(58) **Field of Classification Search** D26/85,
D26/133, 134, 136, 122, 138, 118, 131, 137,
D26/124, 69, 68, 67, 71, 125, 149, 147, 156,
D26/94, 73, 32, 47, 57, 152, 74, 142, 2, 52,
D26/72, 113, 140, 60, 51, 38, 135, 119, 120,
D26/121, 123; D8/71, 72, 395, 328; D19/65,
D19/90; 248/206.5, 389, 229.13, 229.15;
D32/8, 55, 58; 211/106, 119.01, 119.09,
211/85.15; 439/540.1; 362/183, 249.01–249.11,
362/356, 365, 523, 190, 191, 351, 352, 357,
362/358; D24/99, 327, 134, 227; D2/624;
24/316, 306, 339, 3.1, 3.11, 3.12; D6/557,
D6/462; 52/19, 28; 8/38; D14/511, 496

See application file for complete search history.

(56) **References Cited**

U.S. PATENT DOCUMENTS

1,954,756	A *	4/1934	Kidston et al.	362/392
2,034,913	A *	3/1936	Kros	362/396
2,150,542	A *	3/1939	Cook	248/214
2,727,137	A *	12/1955	Oharenko	362/306
D204,792	S *	5/1966	Collings	D26/60
3,872,428	A *	3/1975	Boisvert	362/396
D248,402	S *	7/1978	Kittell	D19/90
4,136,381	A *	1/1979	Bone	362/311.06
D251,345	S *	3/1979	Bigelow et al.	D6/328
4,277,864	A *	7/1981	Orson, Sr.	24/327
D267,833	S *	2/1983	Anderson	D11/202
4,639,980	A *	2/1987	Peterson	24/306
4,678,153	A *	7/1987	Maddock et al.	248/229.13
4,707,906	A *	11/1987	Posey	29/453

D293,043	S *	12/1987	Zamboni	D2/624
4,761,862	A *	8/1988	Hiromori	24/67.9
D318,337	S *	7/1991	Taylor et al.	D26/38
D322,390	S *	12/1991	Nimtz et al.	D8/395
D322,681	S *	12/1991	Yuen	D26/38
5,209,562	A *	5/1993	Glassford	362/378
D348,743	S *	7/1994	Leen et al.	D26/60
D358,475	S *	5/1995	Choksi et al.	D3/227
D360,952	S *	8/1995	Lee	D26/60
5,510,970	A *	4/1996	Hollenbach et al.	362/396
5,520,364	A *	5/1996	Bloxson et al.	248/500
5,564,166	A *	10/1996	Roy	24/3.11
D378,159	S *	2/1997	Mulkey	D2/896
5,615,454	A *	4/1997	Contarino	24/3.13
D385,415	S *	10/1997	Turbide	D3/207
5,702,175	A *	12/1997	Chen	362/191
D394,382	S *	5/1998	Knight	D8/395
5,779,253	A *	7/1998	Lee	280/279

(Continued)

Primary Examiner—Cathron C Brooks
Assistant Examiner—Kevin K Rudzinski

(57) **CLAIM**

The ornamental design for a clamp for a light, as shown and described.

DESCRIPTION

FIG. 1 is a perspective view of a clamp for a light showing my new design;

FIG. 2 is a front elevational view thereof;

FIG. 3 is a rear elevational view thereof;

FIG. 4 is a left side view thereof;

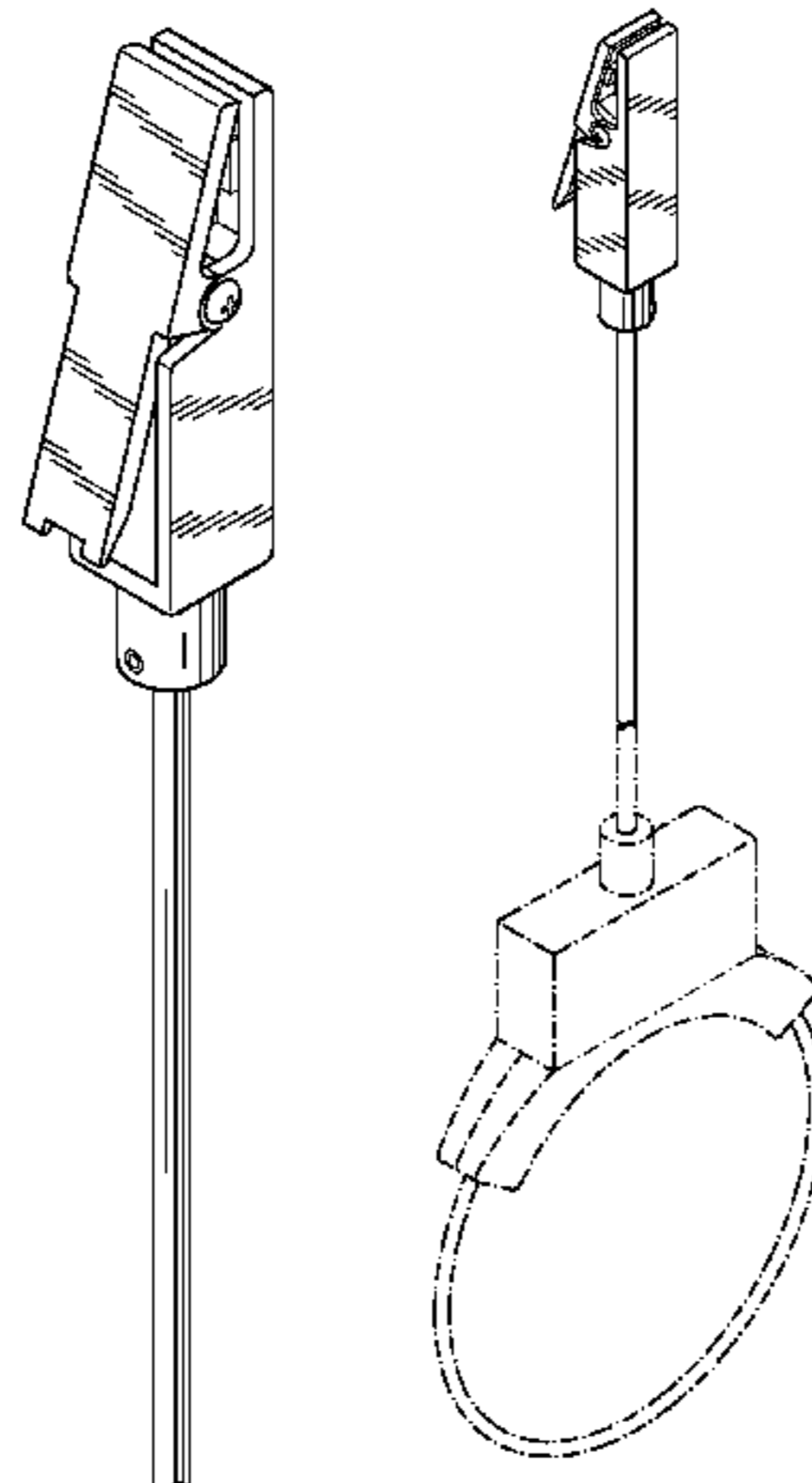
FIG. 5 is a right side view thereof;

FIG. 6 is a top plan view thereof;

FIG. 7 is a bottom plan view thereof; and,

FIGS. 8-11 are views showing the clamp for a light in different positions of use, wherein the broken lines illustrate different environmental structures that form no part of the claimed design.

1 Claim, 8 Drawing Sheets



US D633,250 S

Page 2

U.S. PATENT DOCUMENTS

D399,986 S *	10/1998	Schultheis	D2/624	6,804,866 B2 *	10/2004	Lemke et al.	24/338
D420,896 S *	2/2000	Blackburn et al.	D8/395	D498,322 S *	11/2004	Schnell	D26/60
6,247,211 B1 *	6/2001	Bell	24/306	D535,773 S *	1/2007	Kessler	D26/60
6,301,751 B1 *	10/2001	Ohlson	24/3.11	D544,124 S *	6/2007	Chan	D26/60
D464,754 S *	10/2002	Cavins	D26/60	D559,989 S *	1/2008	Martinelli	D24/199
D470,644 S *	2/2003	Sherman	D2/891	D561,573 S *	2/2008	Hyde et al.	D8/395
6,598,273 B2 *	7/2003	Buettell	24/316	D571,647 S *	6/2008	La Quay et al.	D8/395

* cited by examiner

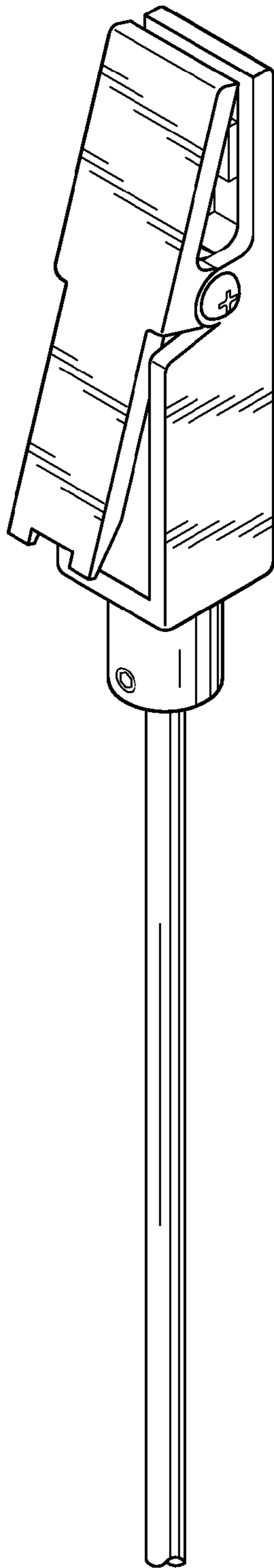


FIG. 1

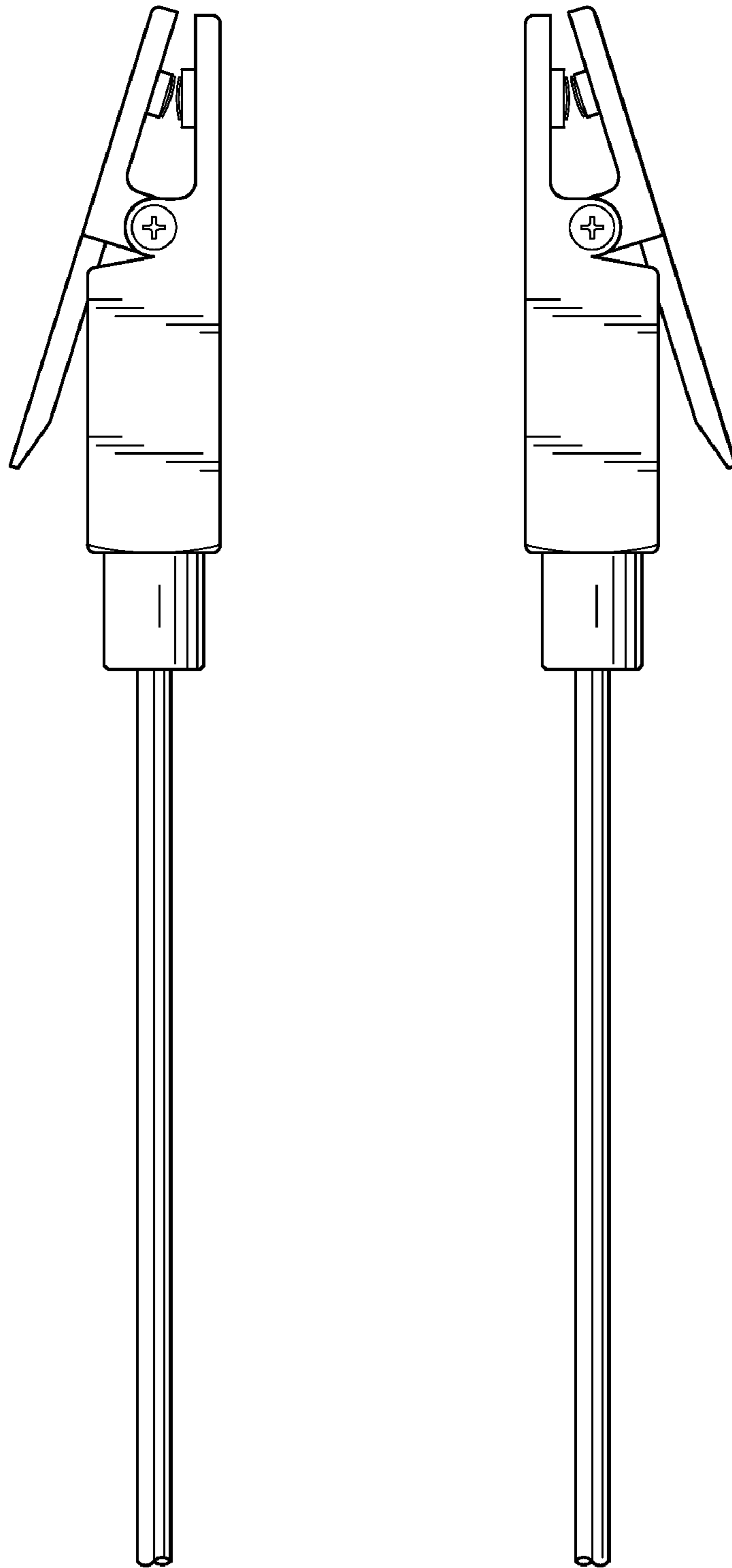


FIG. 2

FIG. 3

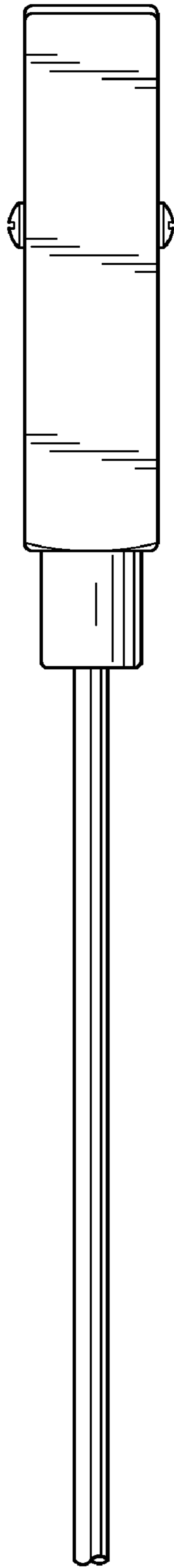


FIG. 4

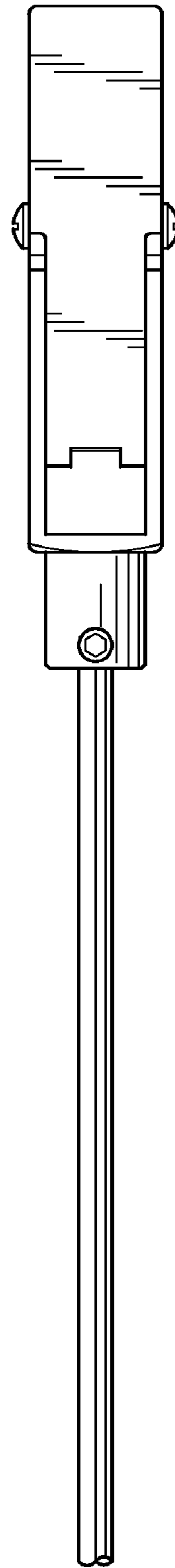


FIG. 5

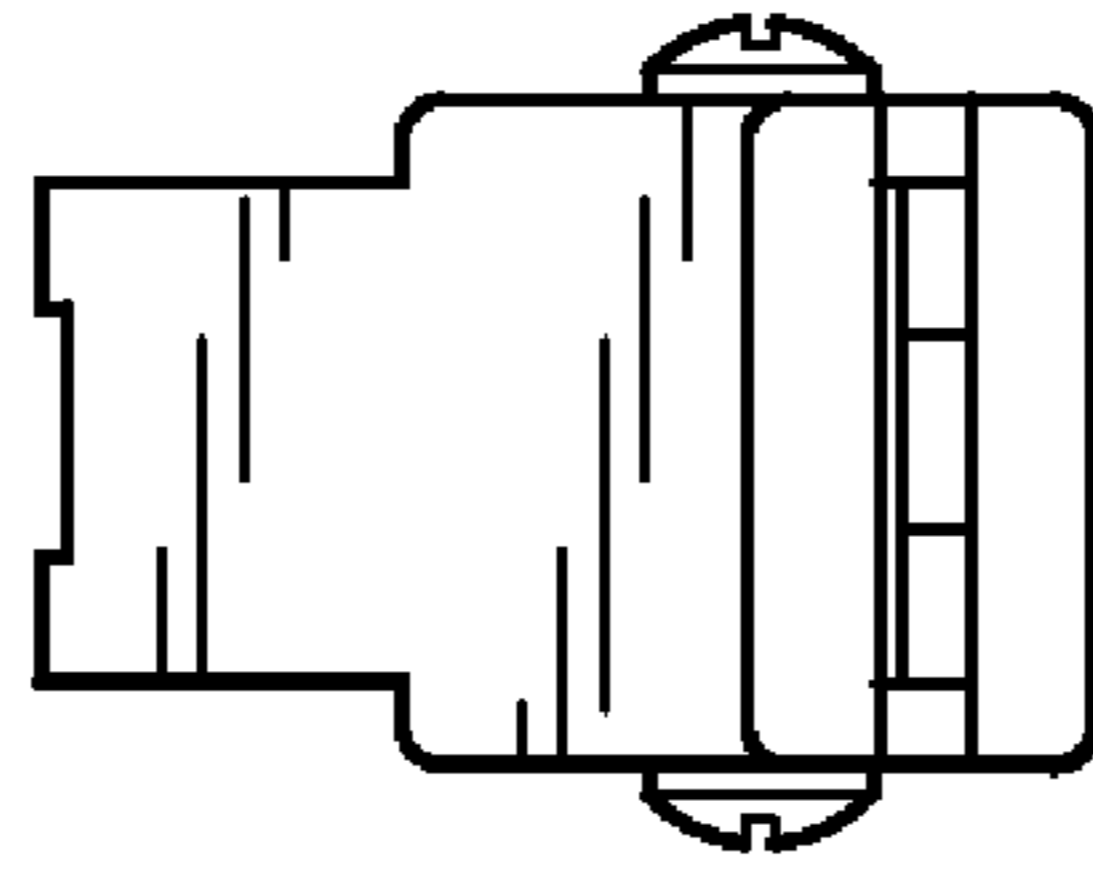


FIG. 6

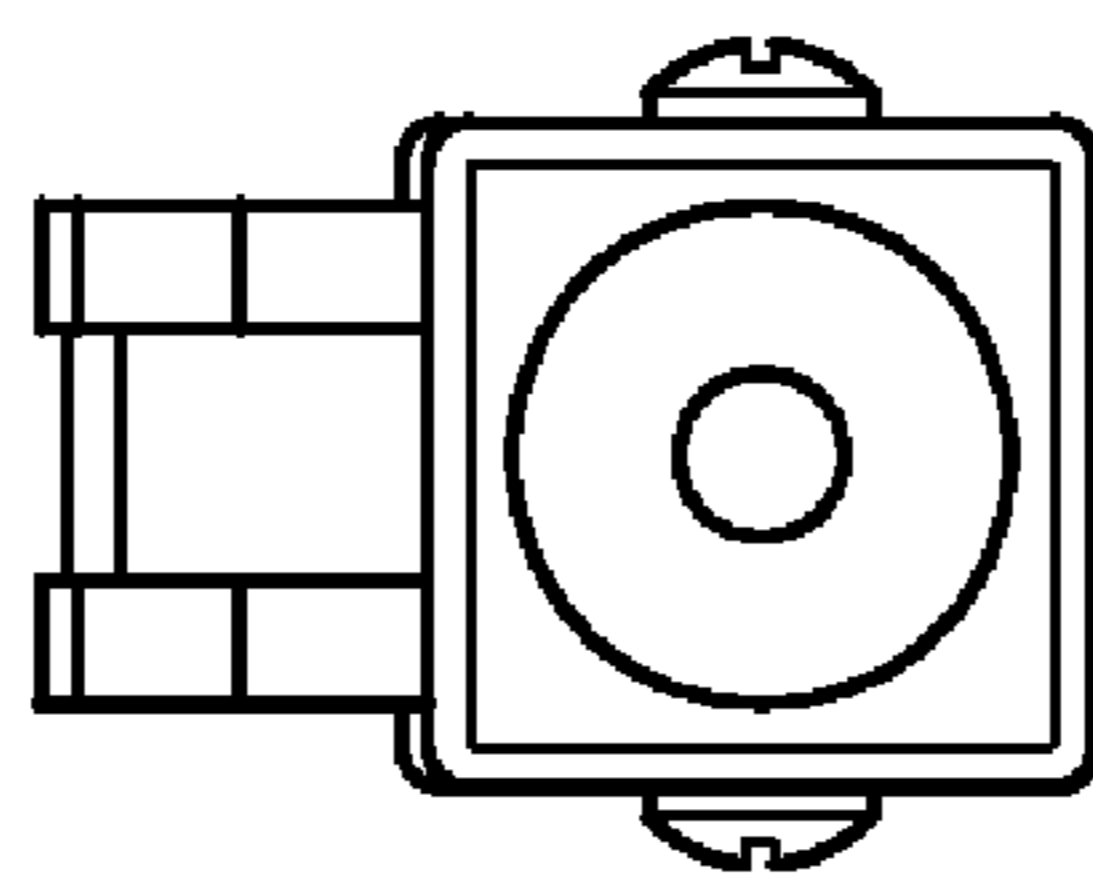


FIG. 7

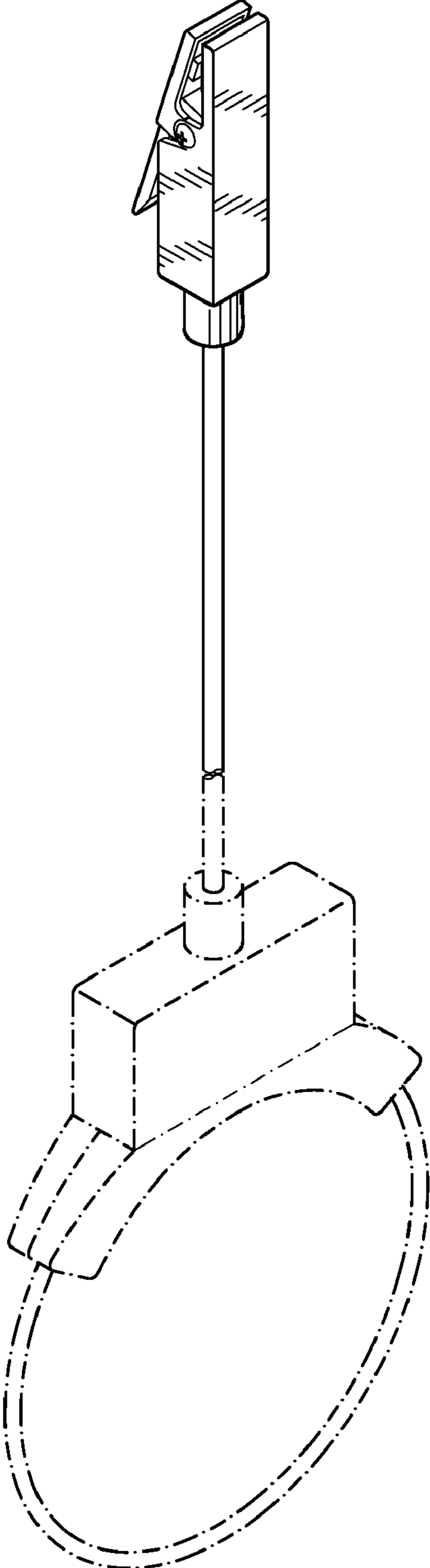


FIG. 8

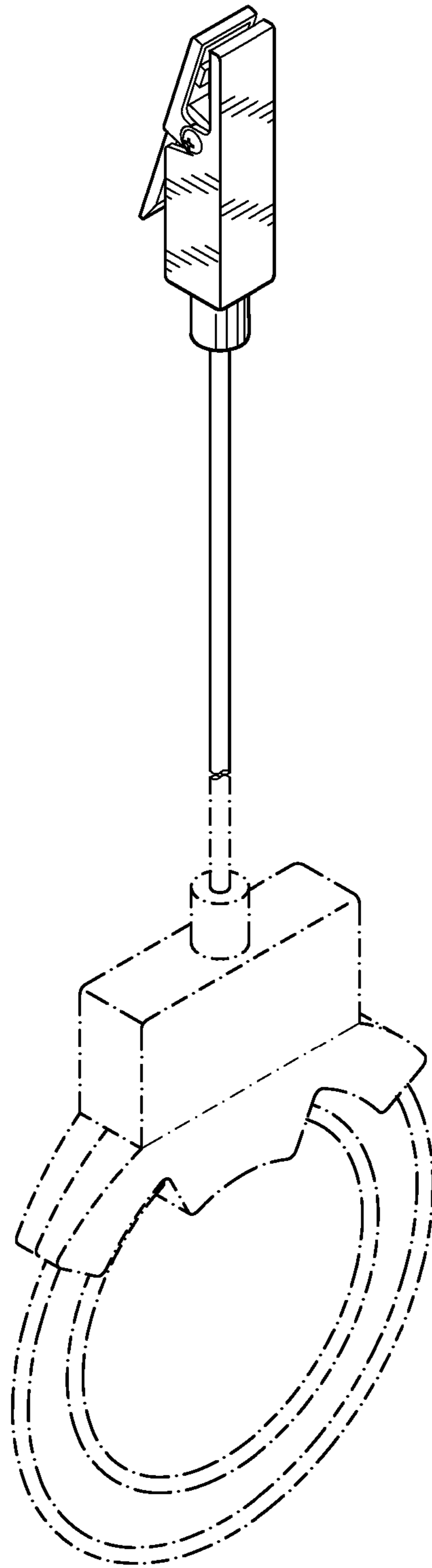


FIG. 9

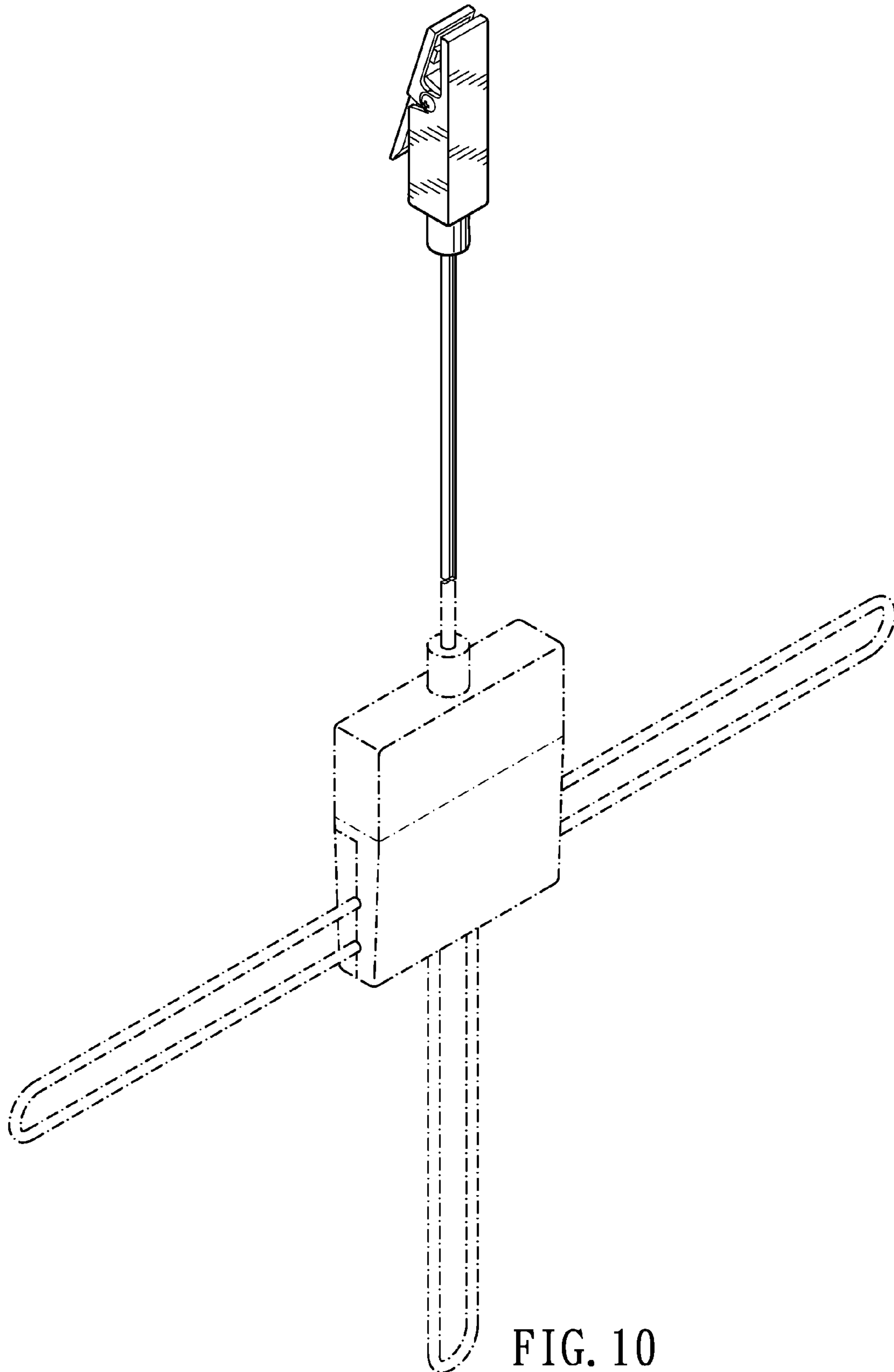


FIG. 10

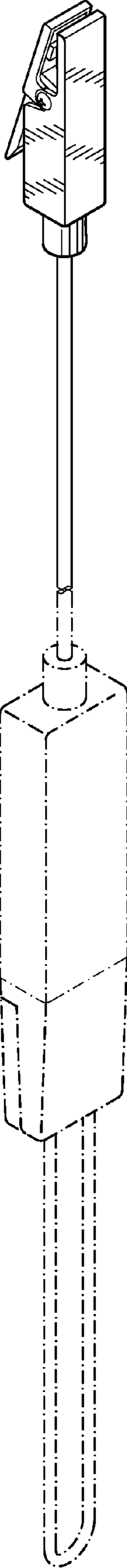


FIG. 11