



US00D633249S

(12) **United States Design Patent**  
**Kawagoe et al.**

(10) **Patent No.:** **US D633,249 S**  
(45) **Date of Patent:** **\*\* Feb. 22, 2011**

(54) **LIGHT EMITTING DIODE LAMP**  
(75) Inventors: **Shinya Kawagoe**, Osaka (JP); **Naotaka Hashimoto**, Osaka (JP); **Kuninori Takezawa**, Shiga (JP); **Hayato Kameyama**, Osaka (JP); **Toshikazu Endou**, Osaka (JP)  
(73) Assignee: **Panasonic Corporation**, Osaka (JP)  
(\*\*) Term: **14 Years**  
(21) Appl. No.: **29/366,564**  
(22) Filed: **Jul. 27, 2010**

D589,175 S 3/2009 Xue  
D601,721 S 10/2009 Foo  
D601,722 S 10/2009 Foo  
D601,723 S 10/2009 Foo  
D602,178 S 10/2009 Foo  
D602,179 S 10/2009 Foo  
D602,180 S 10/2009 Foo  
D602,181 S 10/2009 Foo  
D602,182 S 10/2009 Foo  
D603,086 S \* 10/2009 Zayas ..... D26/113  
D603,982 S 11/2009 Foo  
D605,324 S \* 12/2009 Mier-Langner et al. .... D26/63  
D614,782 S 4/2010 Foo  
7,695,169 B2 \* 4/2010 Russello et al. .... 362/369

\* cited by examiner

(30) **Foreign Application Priority Data**  
Feb. 26, 2010 (JP) ..... 2010-004519

*Primary Examiner*—Cathron C Brooks  
*Assistant Examiner*—Kevin K Rudzinski  
(74) *Attorney, Agent, or Firm*—Brinks Hofer Gilson & Lione

(51) **LOC (9) Cl.** ..... **26-99**  
(52) **U.S. Cl.** ..... **D26/138**  
(58) **Field of Classification Search** ..... D26/138, D26/63, 128, 124, 24, 87, 145, 155, 140, D26/85, 113, 142, 118, 64, 2, 3, 68, 71, 67, D26/76, 65, 120; 362/219, 249.01, 249.02, 362/249.03, 249.04, 249.05, 249.06, 249.07, 362/249.08, 249.09, 249.1, 249.11, 580, 362/373, 290, 362, 183, 240, 294; D7/532, D7/530, 529, 523, 531, 587; D11/152, 153, D11/146; D16/134, 135, 101; 439/110, 439/698, 417, 320; D13/134, 179, 180  
See application file for complete search history.

(57) **CLAIM**

We claim the ornamental design for a light emitting diode lamp, as shown and described.

**DESCRIPTION**

FIG. 1 is a top perspective view of a light emitting diode lamp of the present invention;  
FIG. 2 is a front view thereof;  
FIG. 3 is a rear view thereof;  
FIG. 4 is a first side view thereof;  
FIG. 5 is a second side view thereof;  
FIG. 6 is a top view thereof;  
FIG. 7 is a bottom view thereof; and,  
FIG. 8 is a top perspective view thereof, shown in position of use, recessed in a ceiling.

The broken lines immediately adjacent to claimed surfaces shown with shade lines indicate the bounds of the claimed design and form no part thereof. The remaining broken lines shown in the drawings illustrate environmental structures and form no part of the claimed design.

**1 Claim, 8 Drawing Sheets**

(56) **References Cited**  
U.S. PATENT DOCUMENTS

D240,320 S \* 6/1976 Anderson ..... D26/85  
D315,612 S \* 3/1991 Hughes et al. .... D26/85  
D337,835 S \* 7/1993 Donato et al. .... D26/24  
D385,643 S \* 10/1997 Brohard et al. .... D26/71  
D392,057 S 3/1998 Chen  
6,068,388 A \* 5/2000 Walker et al. .... 362/304  
D472,337 S \* 3/2003 Bernhart et al. .... D26/63  
6,910,785 B2 \* 6/2005 Sales ..... 362/333  
D546,762 S \* 7/2007 Kovacs ..... D13/134  
D547,886 S 7/2007 Foo

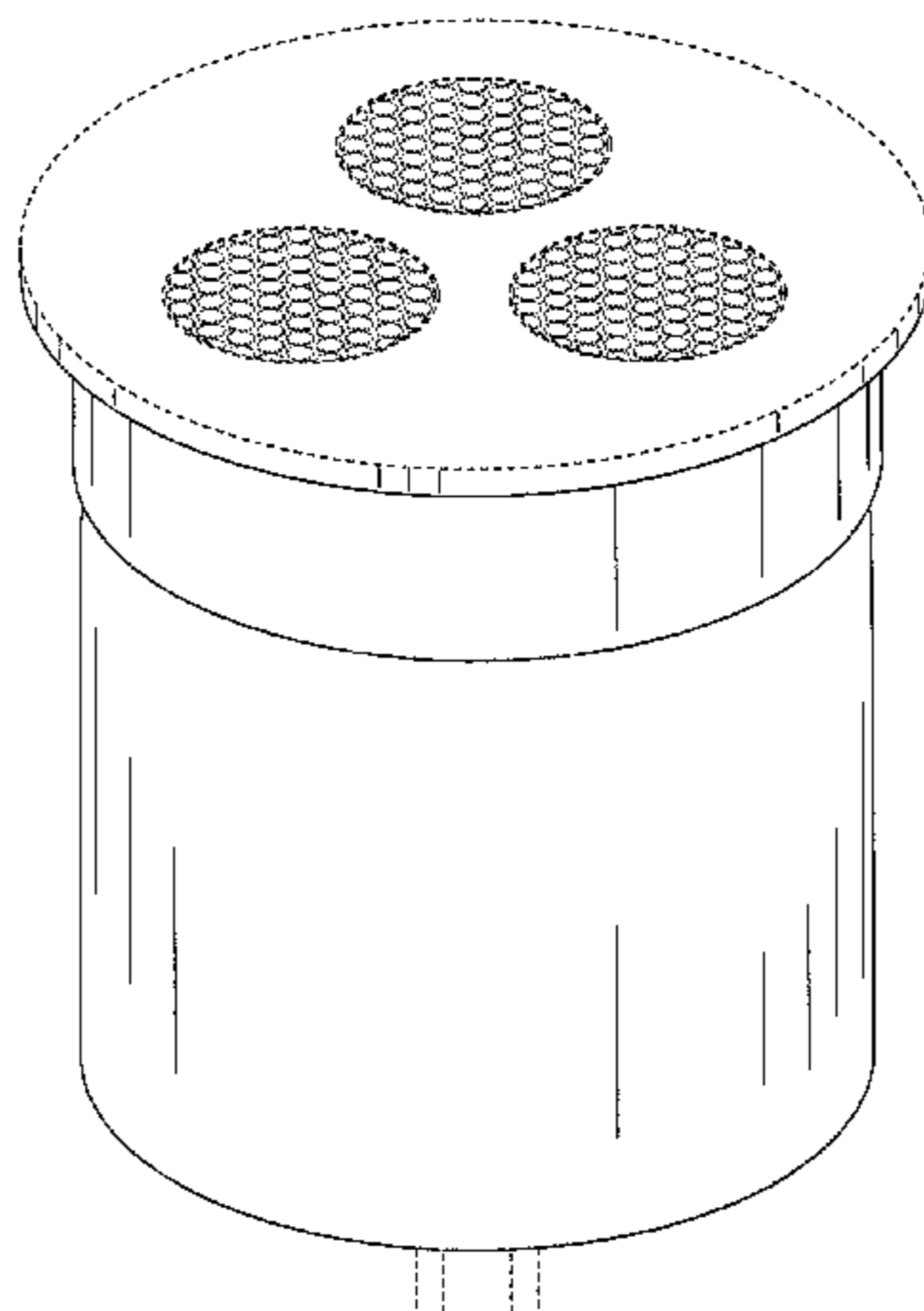


FIG.1

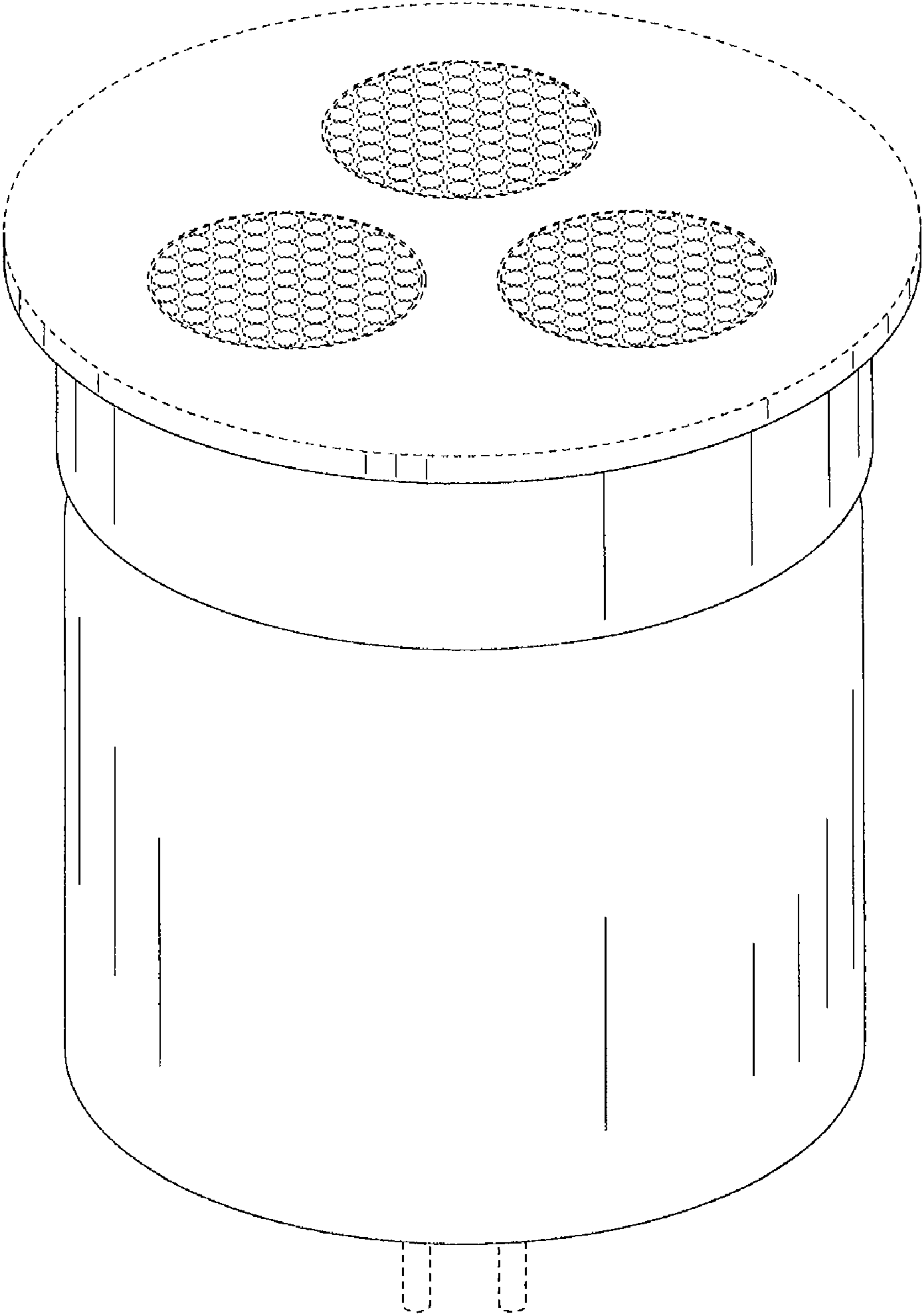


FIG. 2

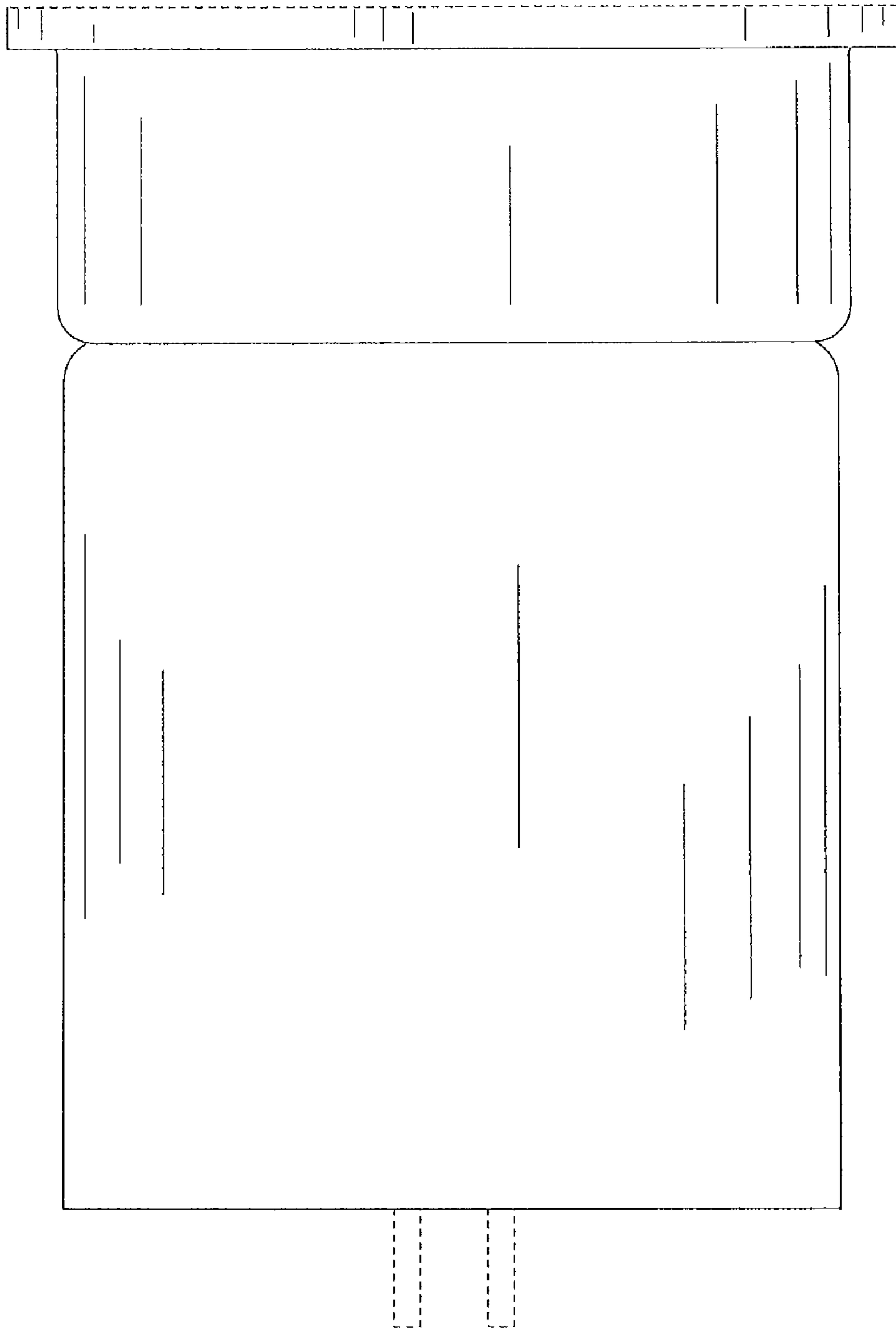


FIG.3

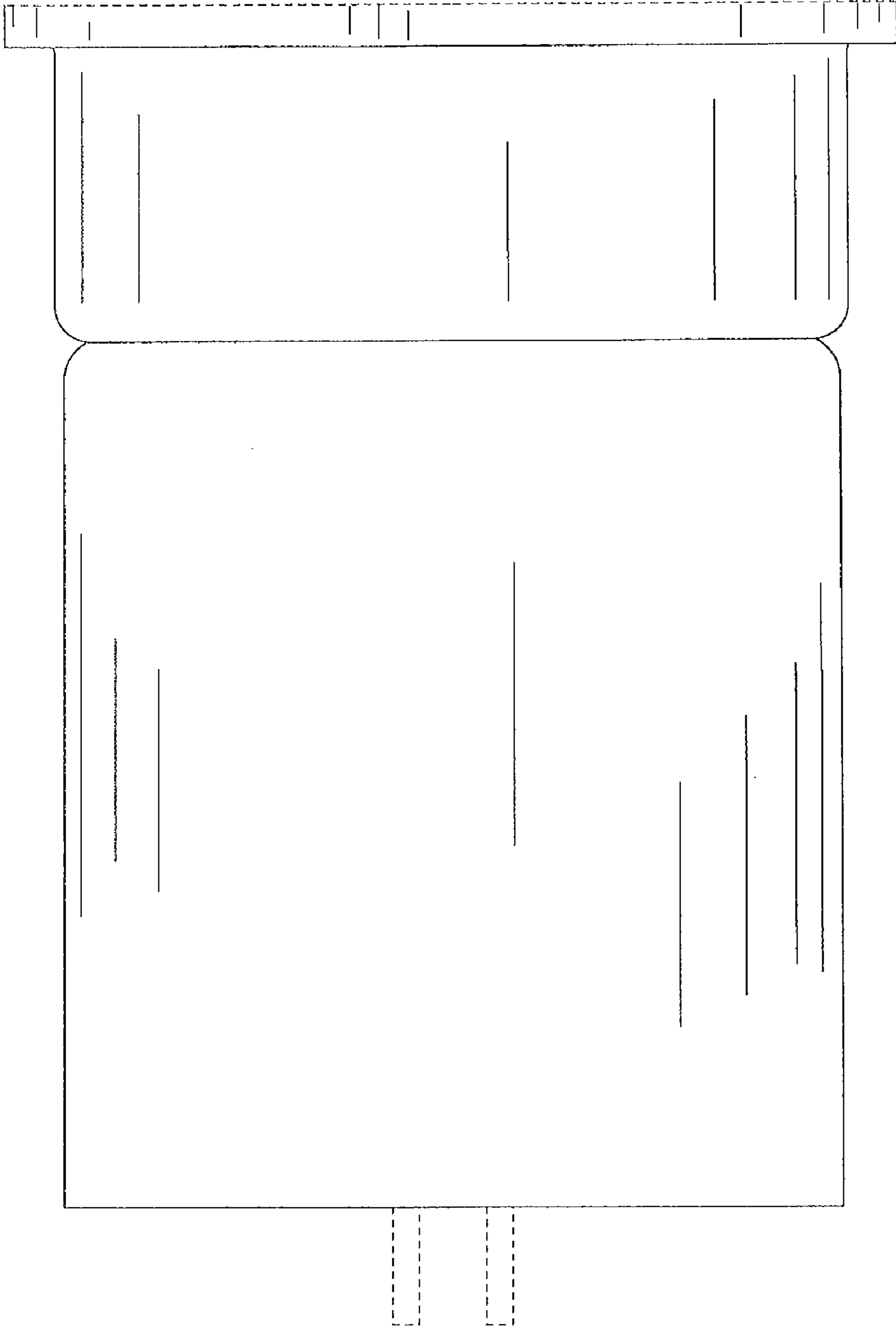


FIG.4

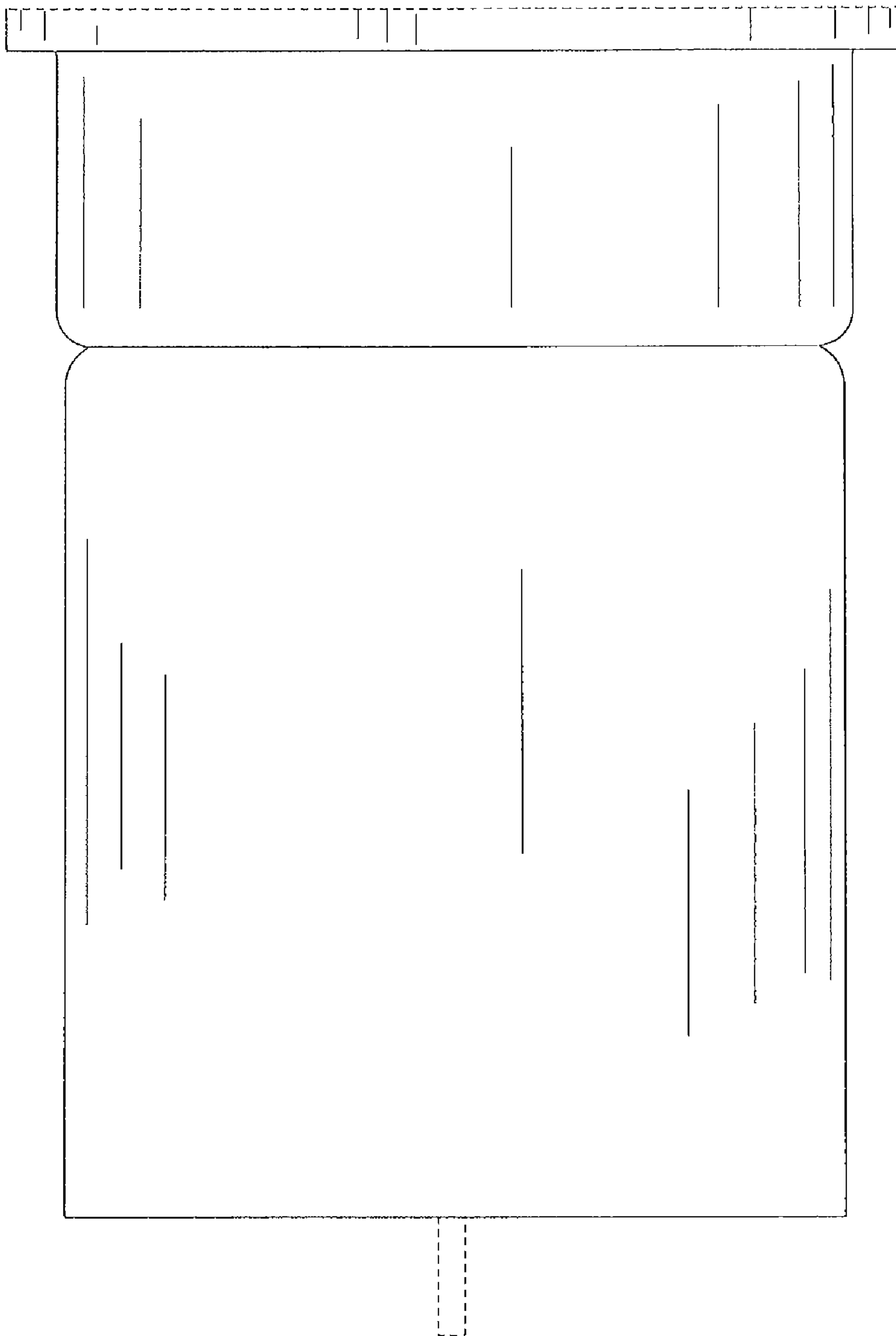
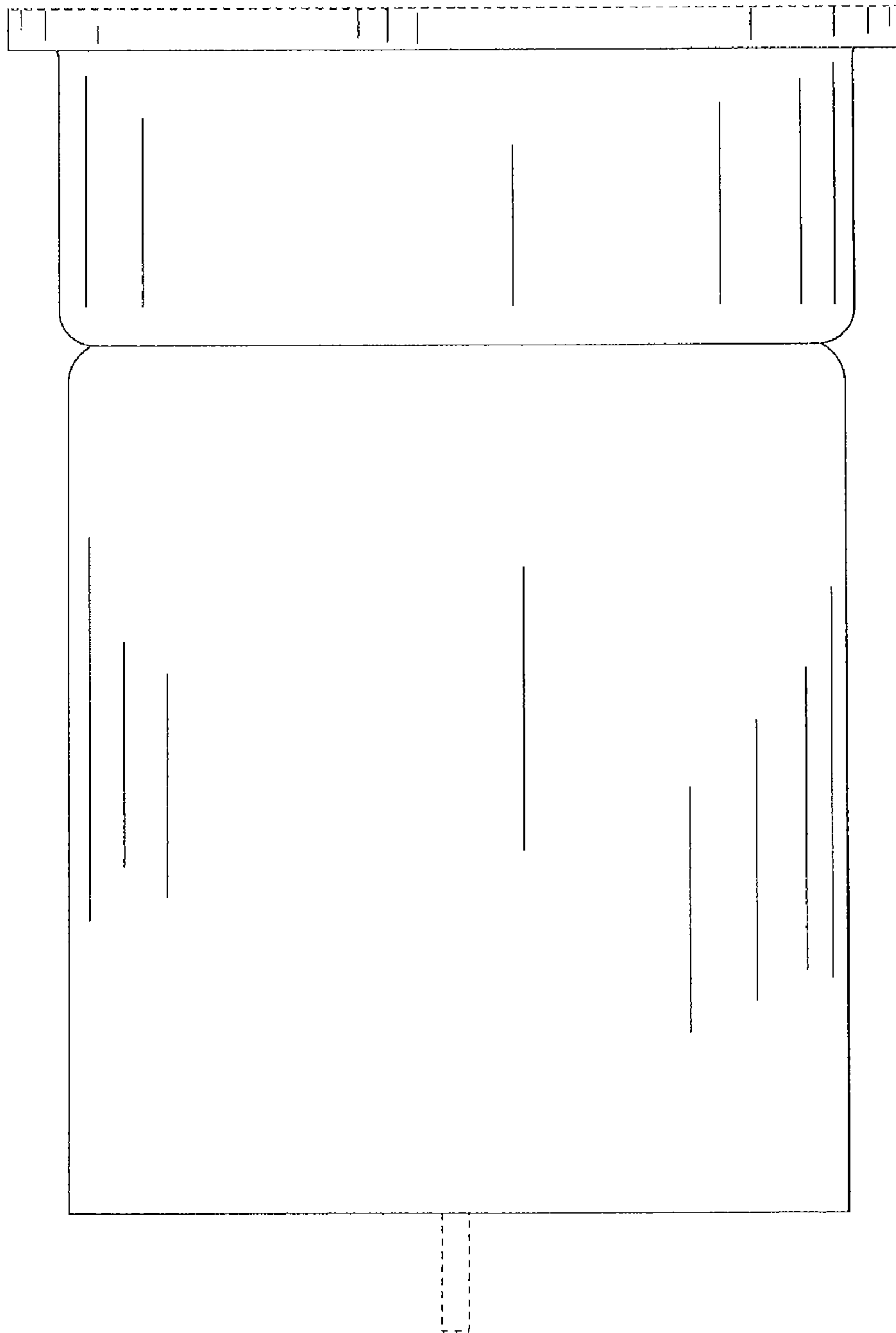
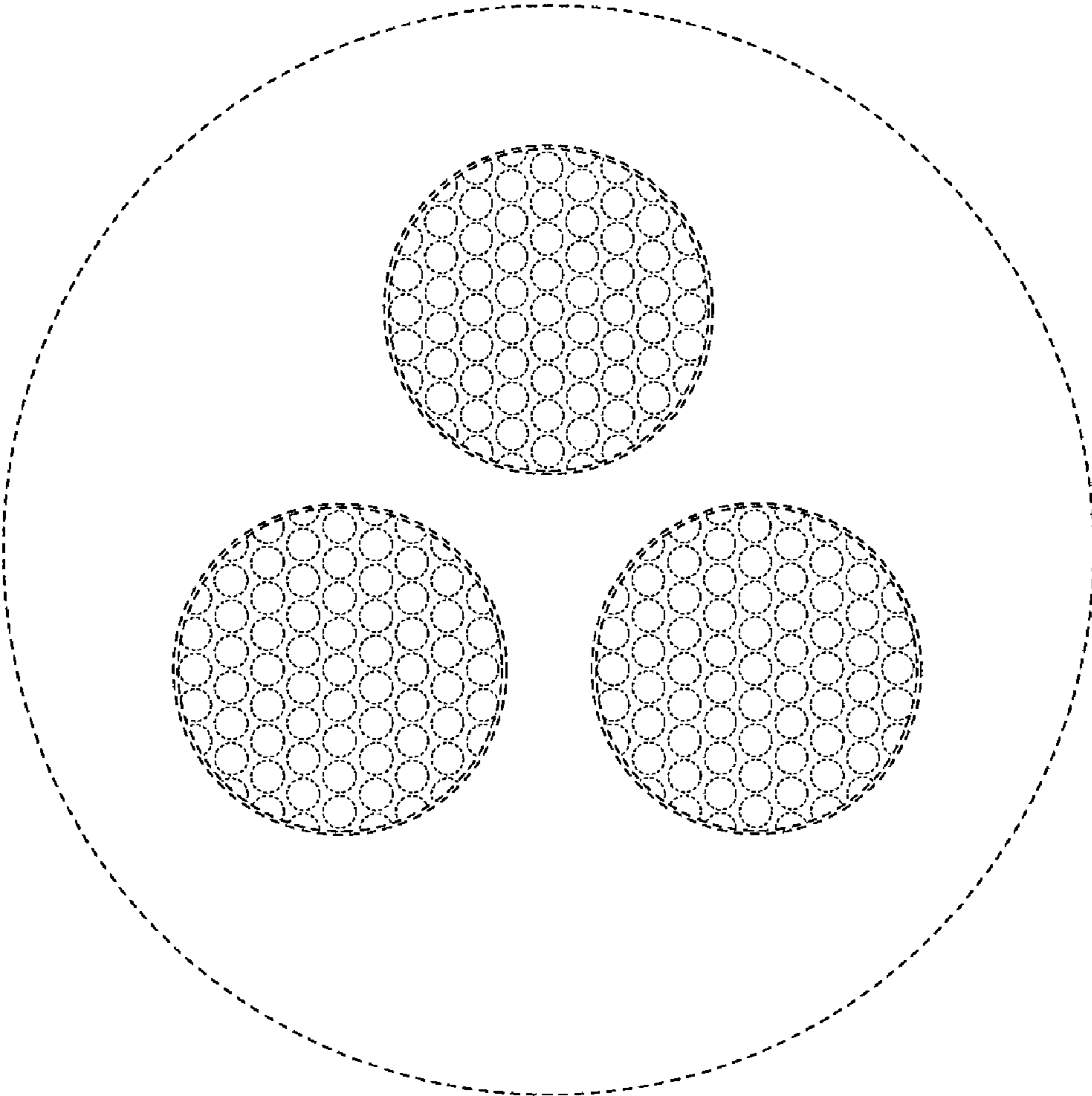


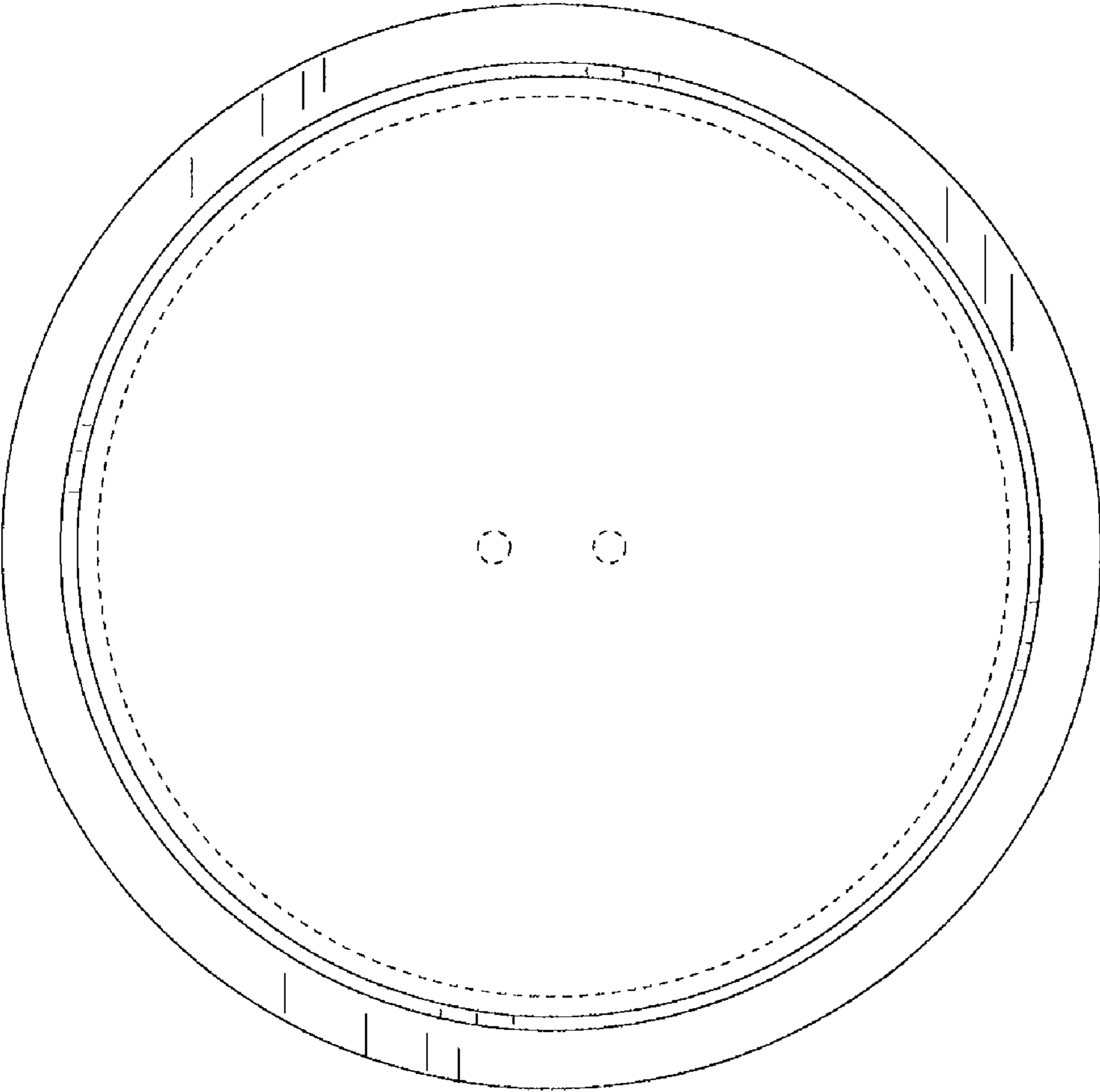
FIG.5



**FIG.6**



**FIG.7**





**FIG.8**

