



US00D633248S

(12) **United States Design Patent**
Alexander et al.

(10) **Patent No.:** **US D633,248 S**

(45) **Date of Patent:** **** Feb. 22, 2011**

(54) **LIGHT FIXTURE**

(75) Inventors: **Clayton Alexander**, Westlake Village, CA (US); **Brandon Mundell**, Thousand Oaks, CA (US); **Robert Rippey, III**, Westlake Village, CA (US)

(73) Assignee: **Journée Lighting, Inc.**, Westlake Village, CA (US)

(**) Term: **14 Years**

(21) Appl. No.: **29/361,267**

(22) Filed: **May 7, 2010**

(51) **LOC (9) Cl.** **26-99**

(52) **U.S. Cl.** **D26/118**

(58) **Field of Classification Search** D26/63,
D26/67, 136, 87, 92, 142, 145, 155, 1, 2,
D26/134, 154, 3, 138, 123, 118, 133, 129,
D26/130, 131, 28, 124, 144, 81, 84, 85, 120,
D26/128, 140, 141, 143; 362/291, 294, 414,
362/352, 260, 220, 218, 219, 221, 241, 147,
362/277, 326, 351, 355, 356, 357, 370, 405,
362/432; 439/235, 226, 239; D13/110, 179,
D13/180

See application file for complete search history.

(56) **References Cited**

U.S. PATENT DOCUMENTS

D149,124 S * 3/1948 Hewitt D26/63
D191,734 S 11/1961 Daher et al.
3,538,321 A 11/1970 Keller et al.
3,639,751 A 2/1972 Pichel
4,761,721 A 8/1988 Willing
D322,862 S 12/1991 Miller
D340,514 S 10/1993 Liao
D383,236 S 9/1997 Krogman
D437,652 S 2/2001 Uhler et al.

D465,046 S 10/2002 Layne et al.
D516,229 S 2/2006 Tang
D527,119 S 8/2006 Maxik et al.
7,111,963 B2 9/2006 Zhang
D538,951 S * 3/2007 Maxik et al. D26/2
D541,957 S 5/2007 Wang
D544,110 S 6/2007 Hooker et al.
D545,457 S * 6/2007 Chen D26/2
D570,505 S * 6/2008 Maxik et al. D26/2

(Continued)

Primary Examiner—Cathron C Brooks

Assistant Examiner—Kevin K Rudzinski

(74) *Attorney, Agent, or Firm*—Knobbe Martens Olson & Bear, LLP

(57) **CLAIM**

The ornamental design for a light fixture, as shown and described.

DESCRIPTION

FIG. 1 is an enlarged perspective top view of the light fixture.

FIG. 2 is a front view of the light fixture in FIG. 1.

FIG. 3 is a rear view of the light fixture in FIG. 1.

FIG. 4 is a left side view of the light fixture in FIG. 1.

FIG. 5 is a right side view of the light fixture in FIG. 1.

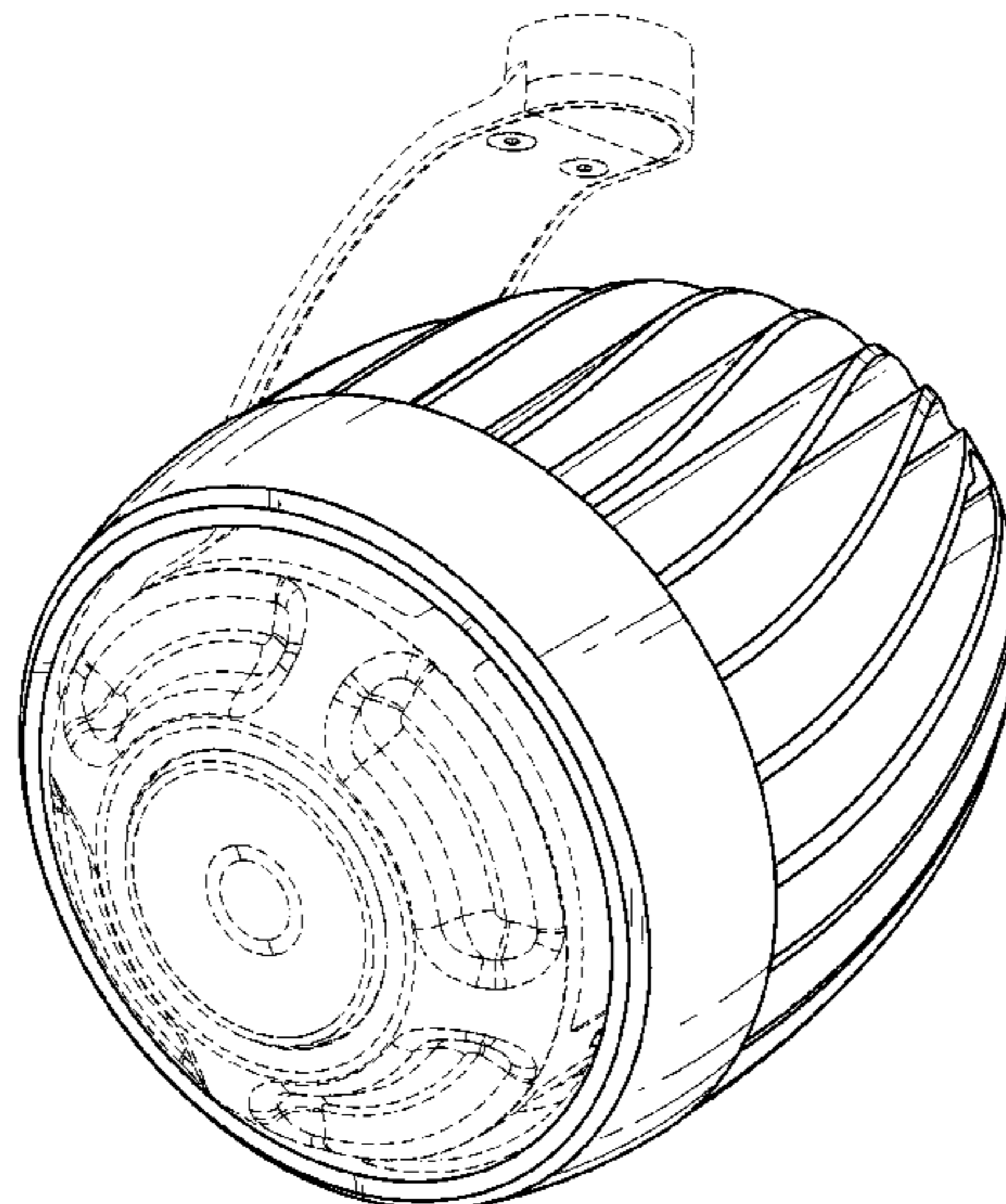
FIG. 6 is a bottom side view of the light fixture in FIG. 1.

FIG. 7 is top side view of the light fixture in FIG. 1; and,

FIG. 8 is an enlarged perspective top view of the light fixture in FIG. 1 without the light module installed in the light fixture.

The broken lines are for illustrative purposes only and form no part of the claimed design.

1 Claim, 5 Drawing Sheets



US D633,248 S

Page 2

U.S. PATENT DOCUMENTS

D577,453 S *	9/2008	Metlen	D26/63	D597,704 S *	8/2009	Peng	D26/118
D581,554 S *	11/2008	To et al.	D26/2	D601,276 S *	9/2009	Grajcar	D26/2
D581,583 S *	11/2008	Peng	D26/135	D610,723 S *	2/2010	Grajcar	D26/2
D585,588 S	1/2009	Alexander et al.		2005/0174780 A1	8/2005	Park	
D585,589 S	1/2009	Alexander et al.		2007/0253202 A1	11/2007	Wu et al.	
D586,498 S *	2/2009	Wu et al.	D26/118	2007/0279921 A1	12/2007	Alexander et al.	
				2007/0297177 A1	12/2007	Wang et al.	

* cited by examiner

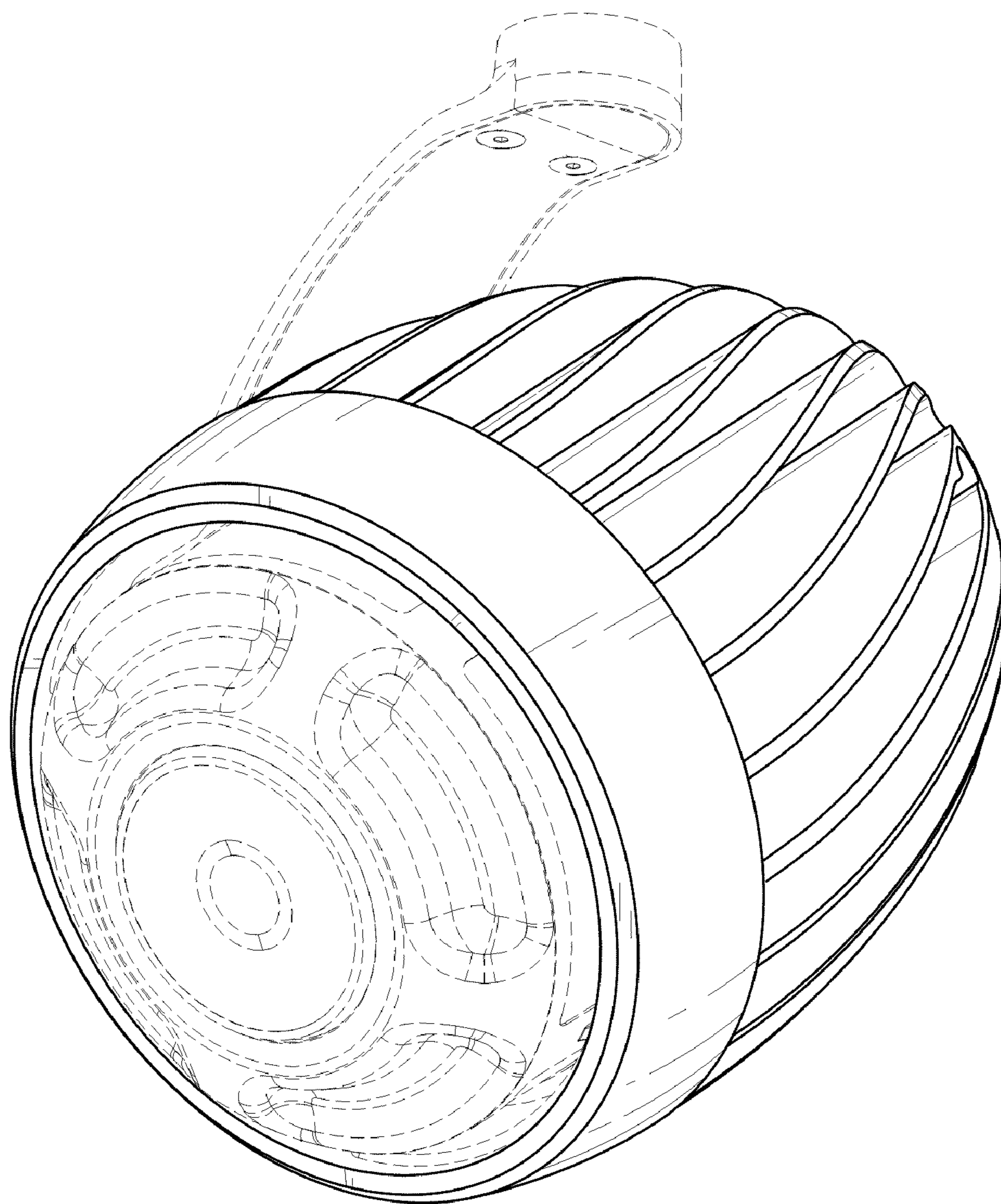


FIG. 1

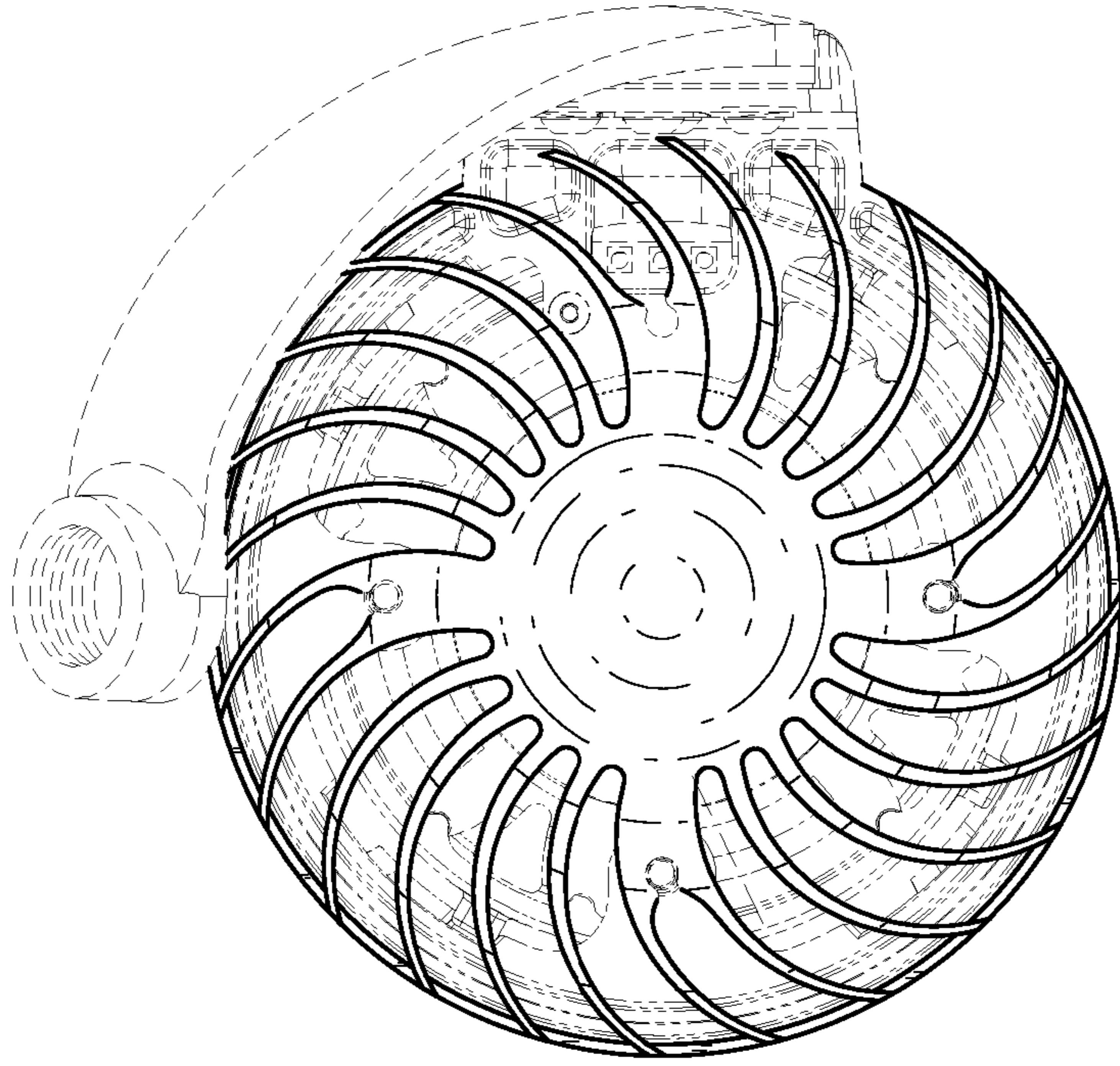


FIG. 2

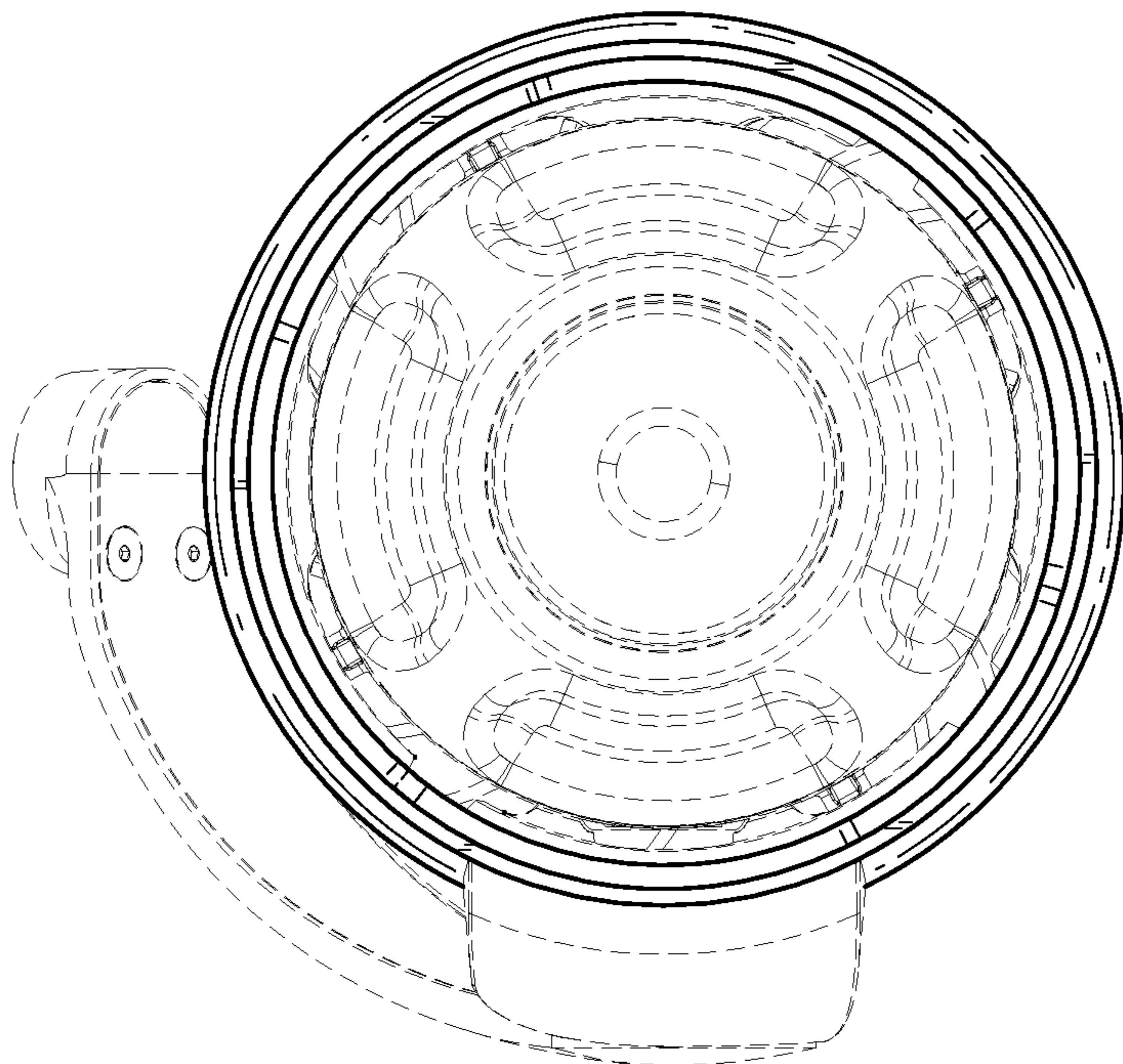


FIG. 3

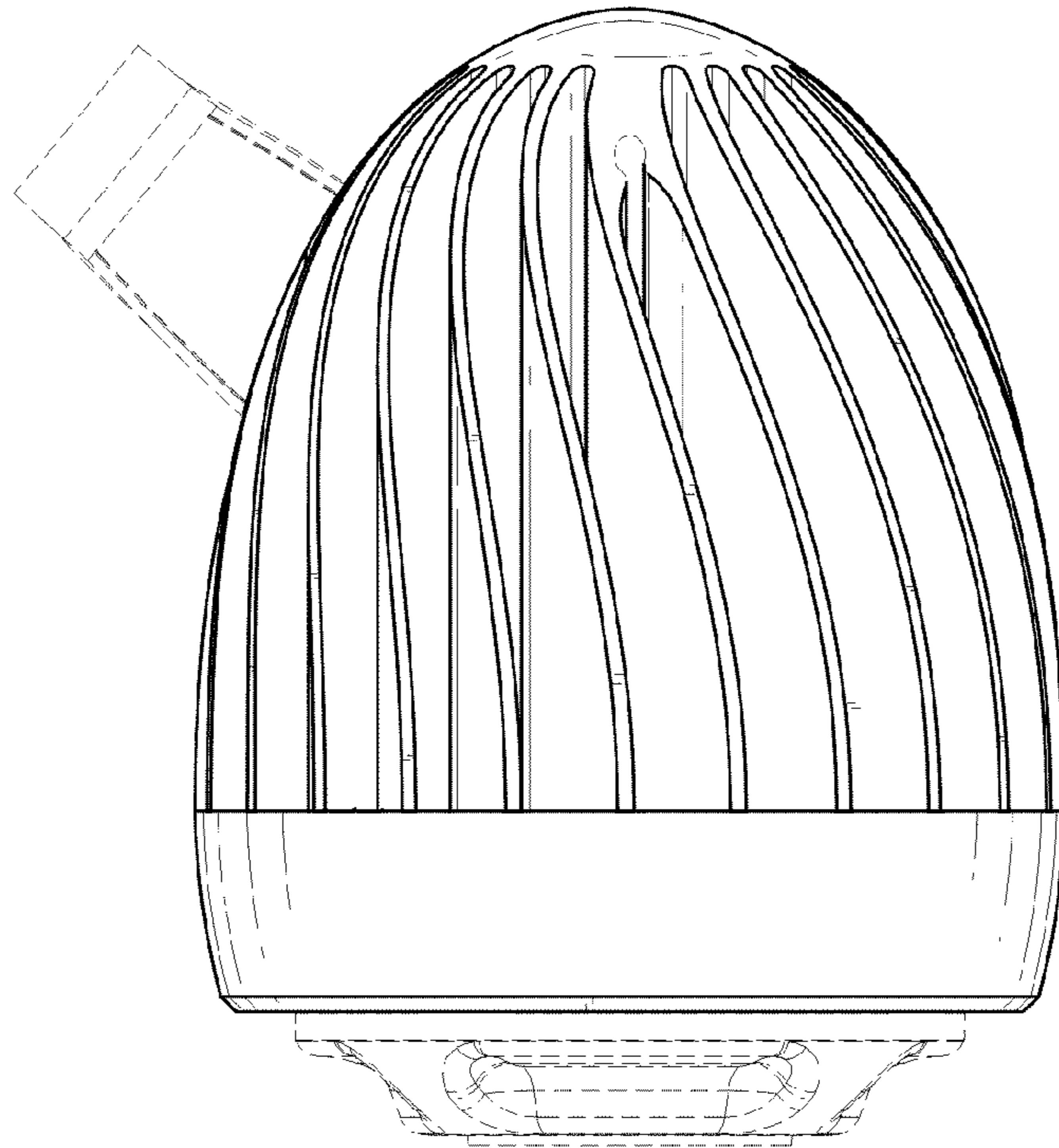


FIG. 5

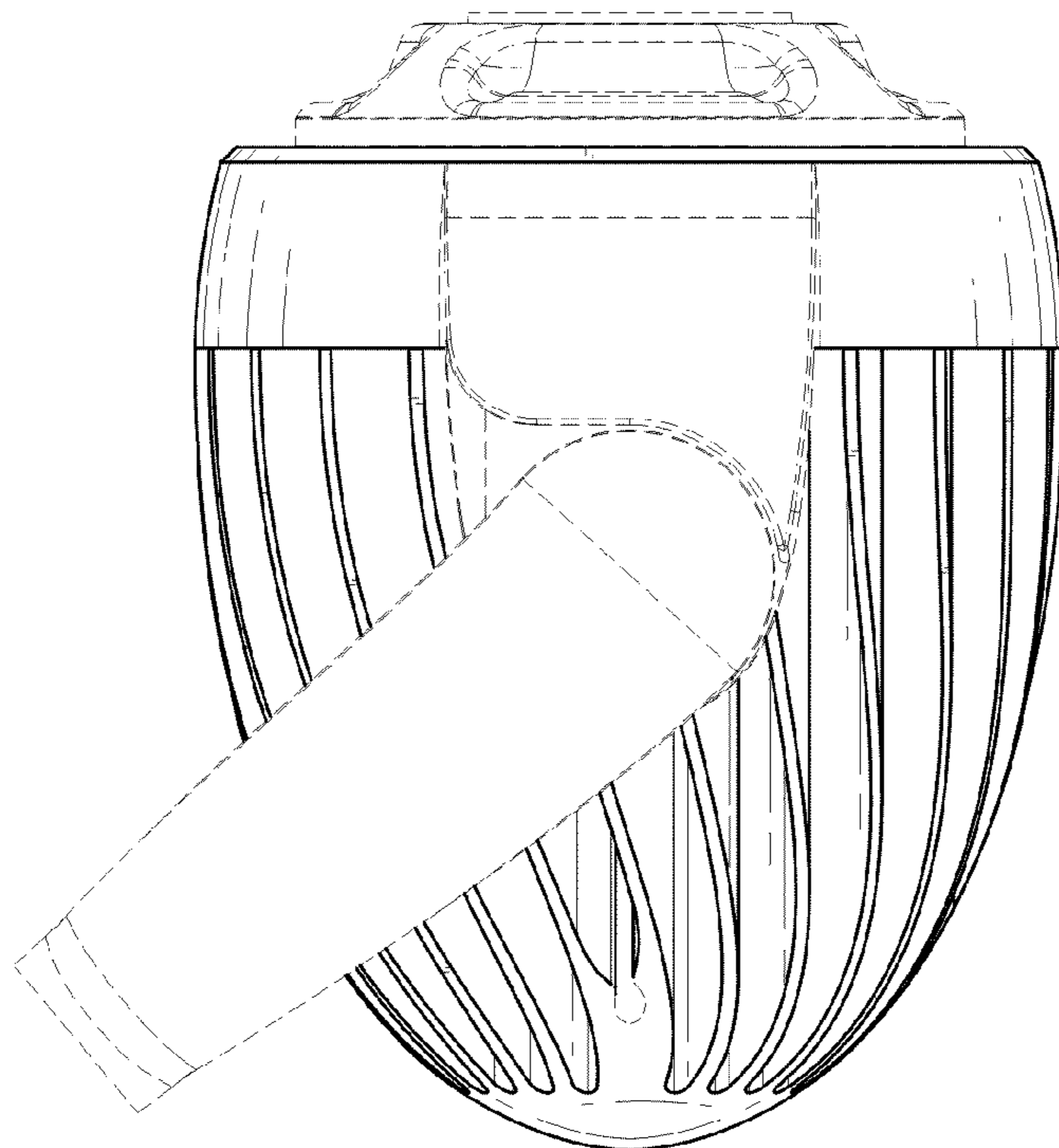


FIG. 4

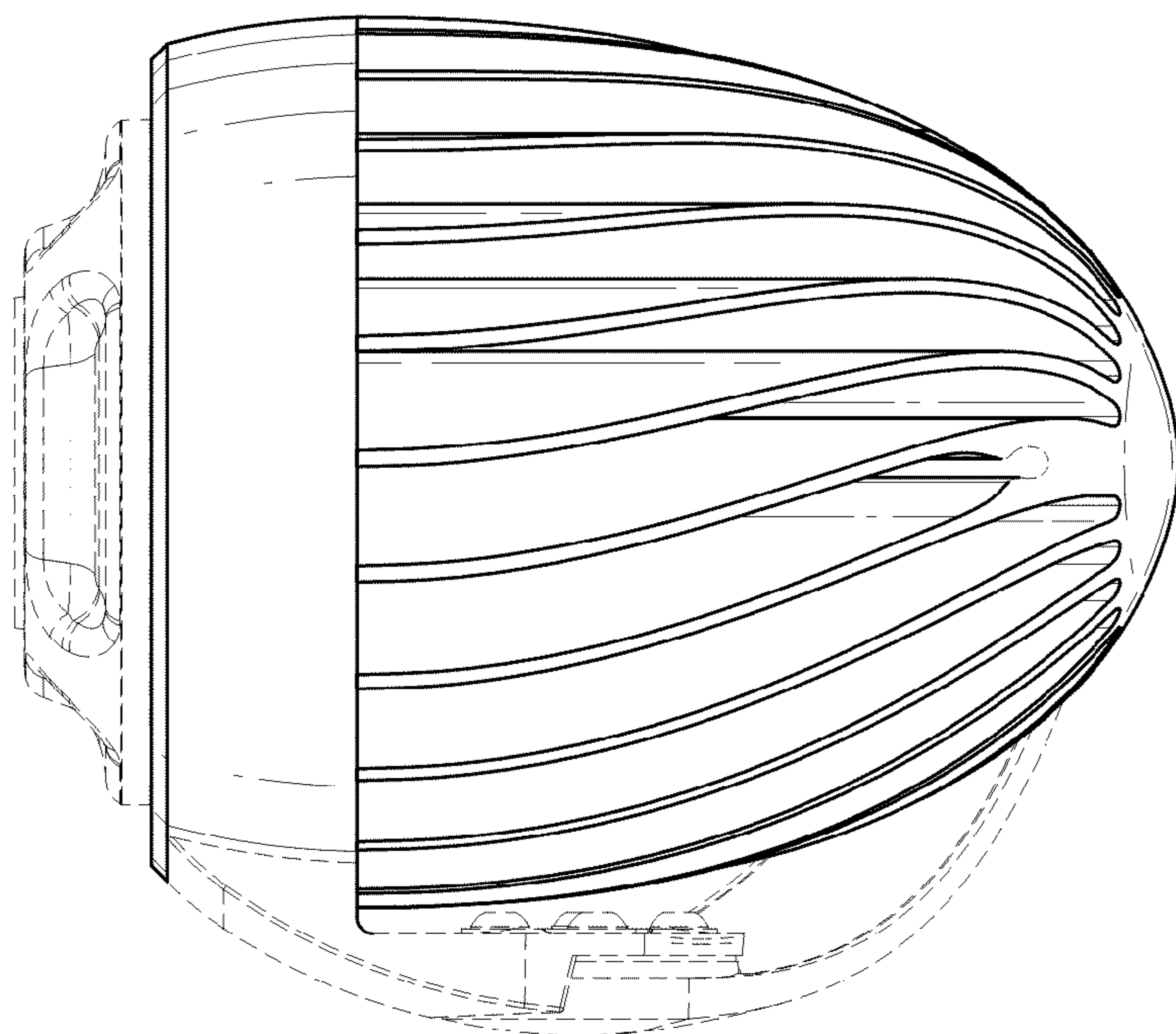


FIG. 6

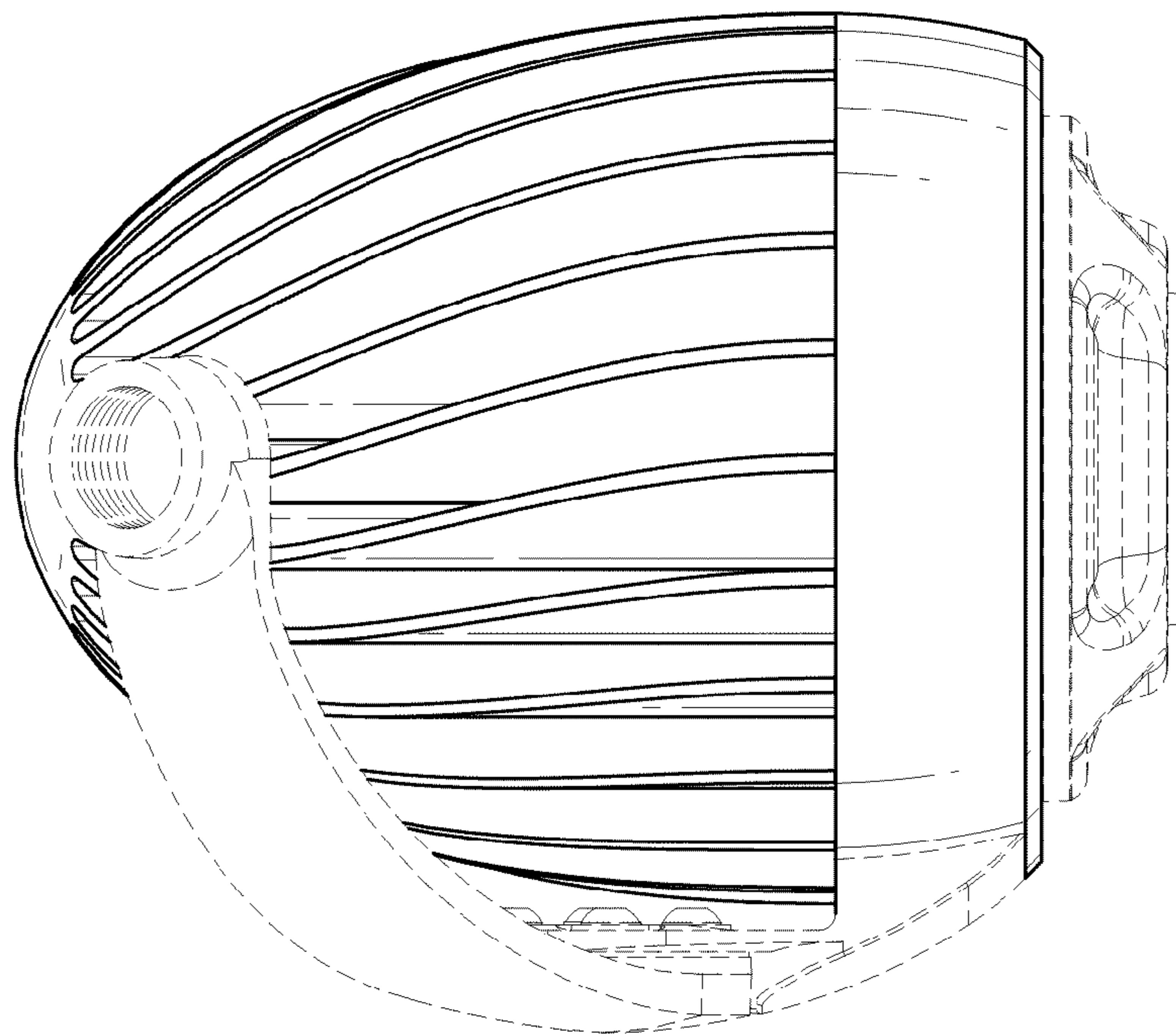


FIG. 7

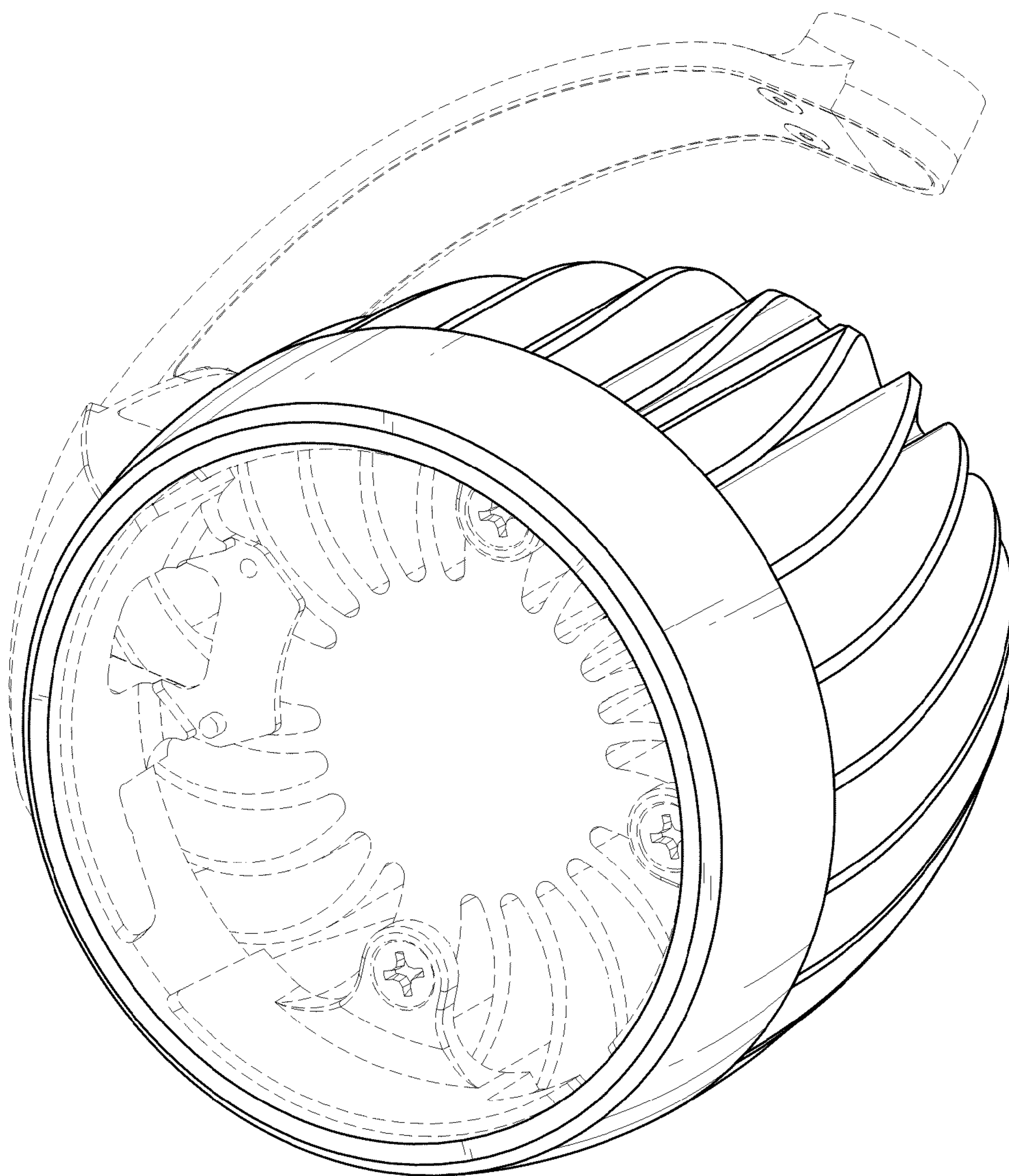


FIG. 8