



US00D633245S

(12) **United States Design Patent**
Urquiola

(10) **Patent No.:** **US D633,245 S**

(45) **Date of Patent:** **** Feb. 22, 2011**

(54) **LIGHTING DEVICE**

(75) Inventor: **Patricia Urquiola**, Brescia (IT)

(73) Assignee: **Flos S.p.A.**, Bovezzo, Brescia (IT)

(**) Term: **14 Years**

(21) Appl. No.: **29/344,665**

(22) Filed: **Oct. 2, 2009**

(30) **Foreign Application Priority Data**

Apr. 6, 2009 (IT) BS2009O0019

(51) **LOC (9) Cl.** **26-03**

(52) **U.S. Cl.** **D26/85; D26/129**

(58) **Field of Classification Search** D26/84-92,
D26/120, 128-130; 362/147, 404-408, 431,
362/432

See application file for complete search history.

(56) **References Cited**

U.S. PATENT DOCUMENTS

D69,971 S *	4/1926	Schlepp	D26/88
D78,996 S *	7/1929	Zweig	D26/129
D79,364 S *	9/1929	Hellvik	D26/90
D80,534 S *	2/1930	Kramer	D26/90
D80,794 S *	3/1930	Kramer	D26/90

D84,373 S *	6/1931	Rosenblatt	D26/91
1,868,692 A *	7/1932	Bruckmann	362/357
D237,000 S *	9/1975	Tongson	D26/129
D240,156 S *	6/1976	von Serda	D26/128
D246,268 S *	11/1977	Baker	D26/129
D498,017 S *	11/2004	Elliott	D26/88
D574,545 S *	8/2008	Baldele	D26/88

* cited by examiner

Primary Examiner—Clare E Heflin

(74) *Attorney, Agent, or Firm*—Kilyk & Bowersox, P.L.L.C.

(57) **CLAIM**

The ornamental design for a lighting device, as shown and described.

DESCRIPTION

FIG. 1 is a top perspective view of a lighting device, showing my new design;

FIG. 2 is the top plan view thereof;

FIG. 3 is the front view thereof;

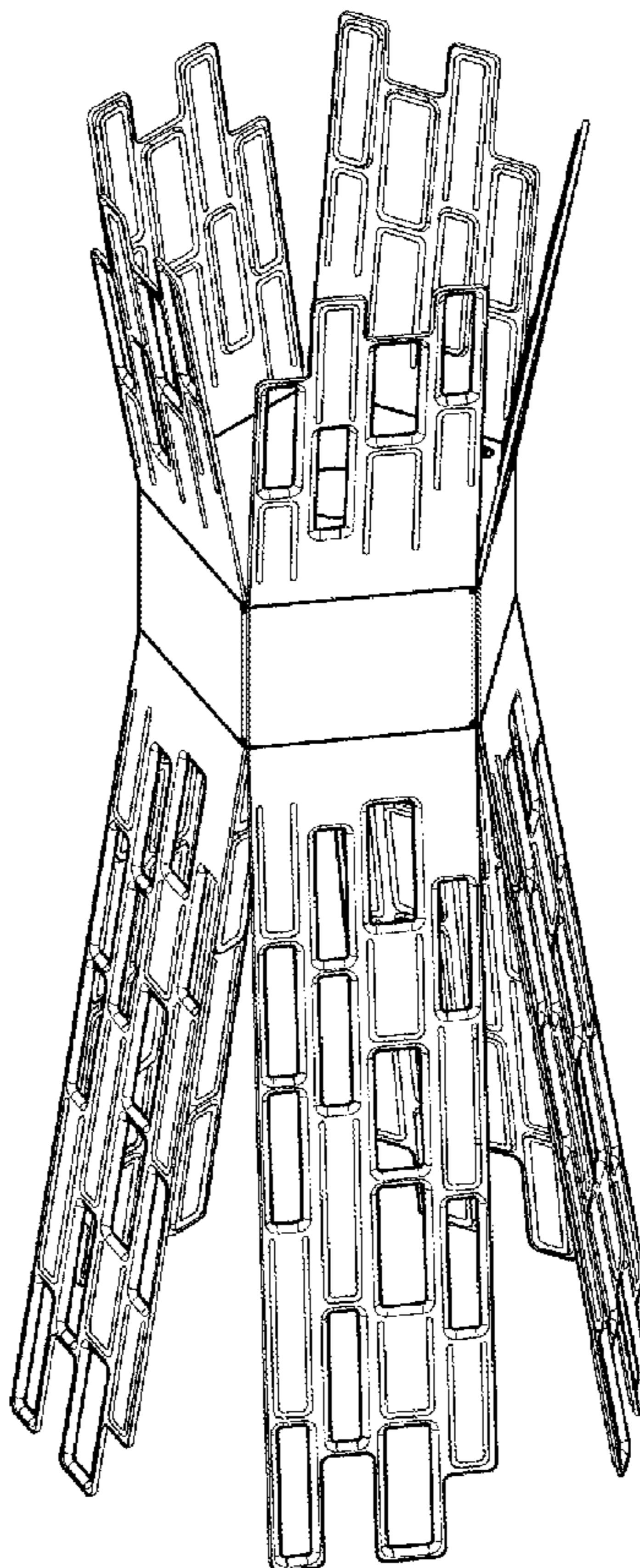
FIG. 4 is the right side view thereof;

FIG. 5 is the left side view thereof;

FIG. 6 is the rear view thereof; and,

FIG. 7 is the bottom plan view thereof.

1 Claim, 7 Drawing Sheets



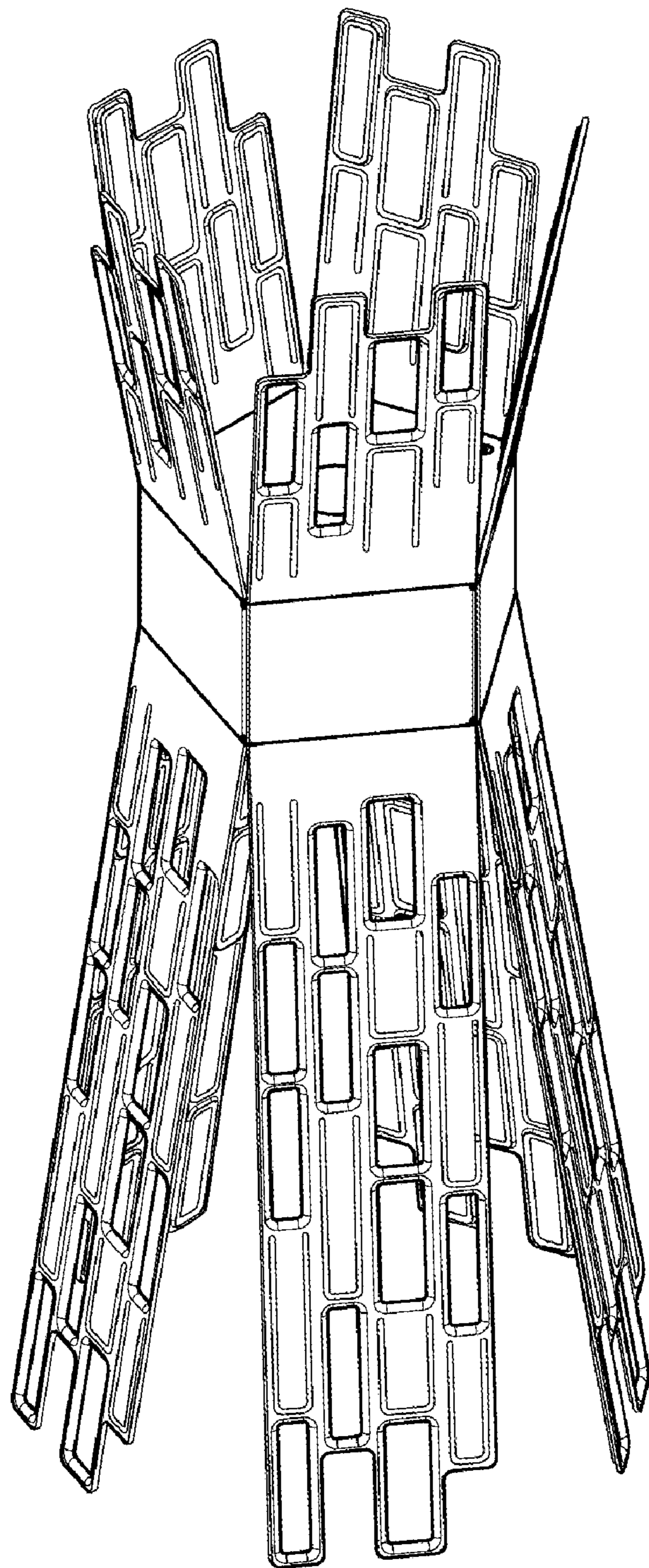


FIG. 1

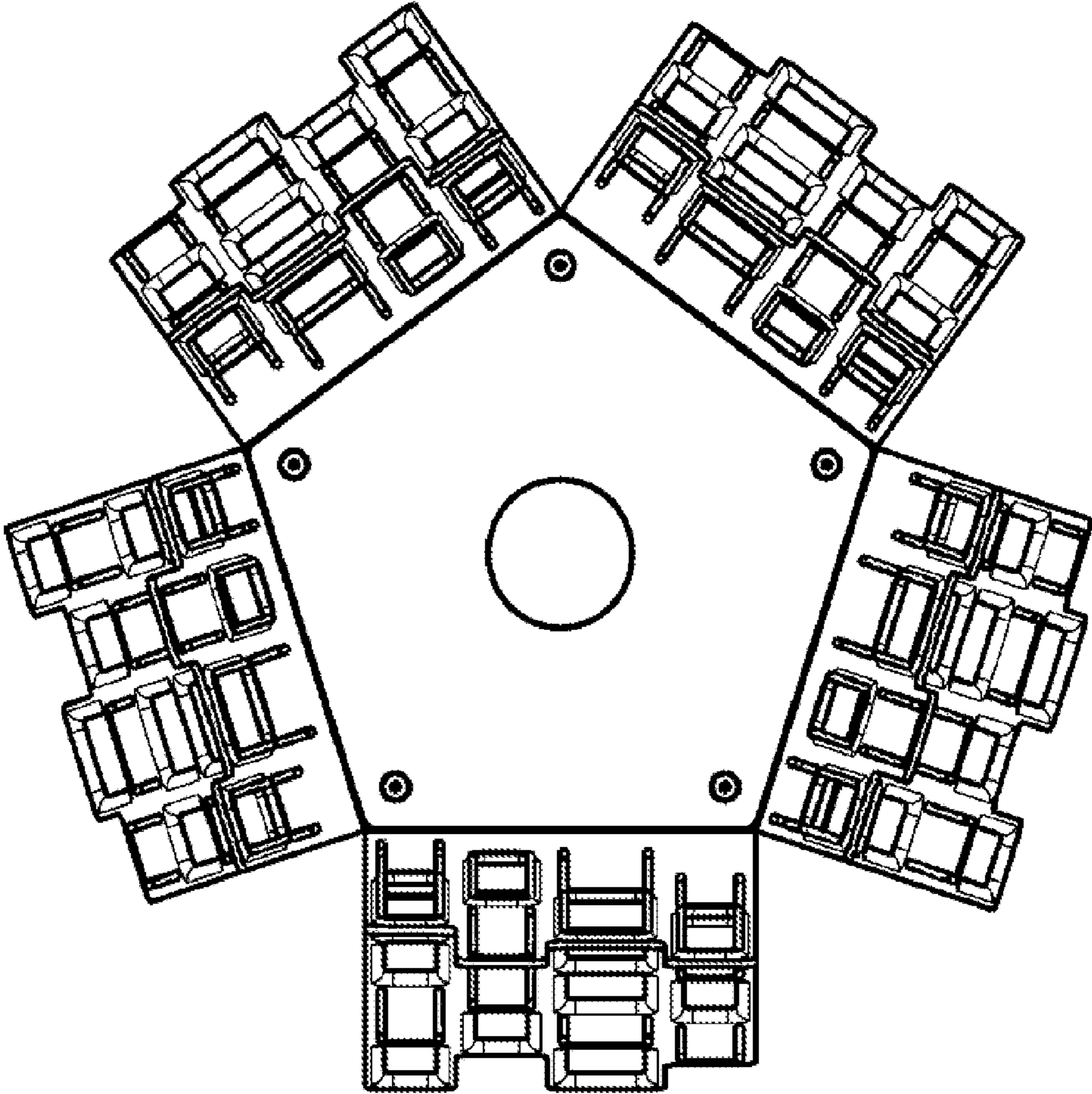


FIG. 2

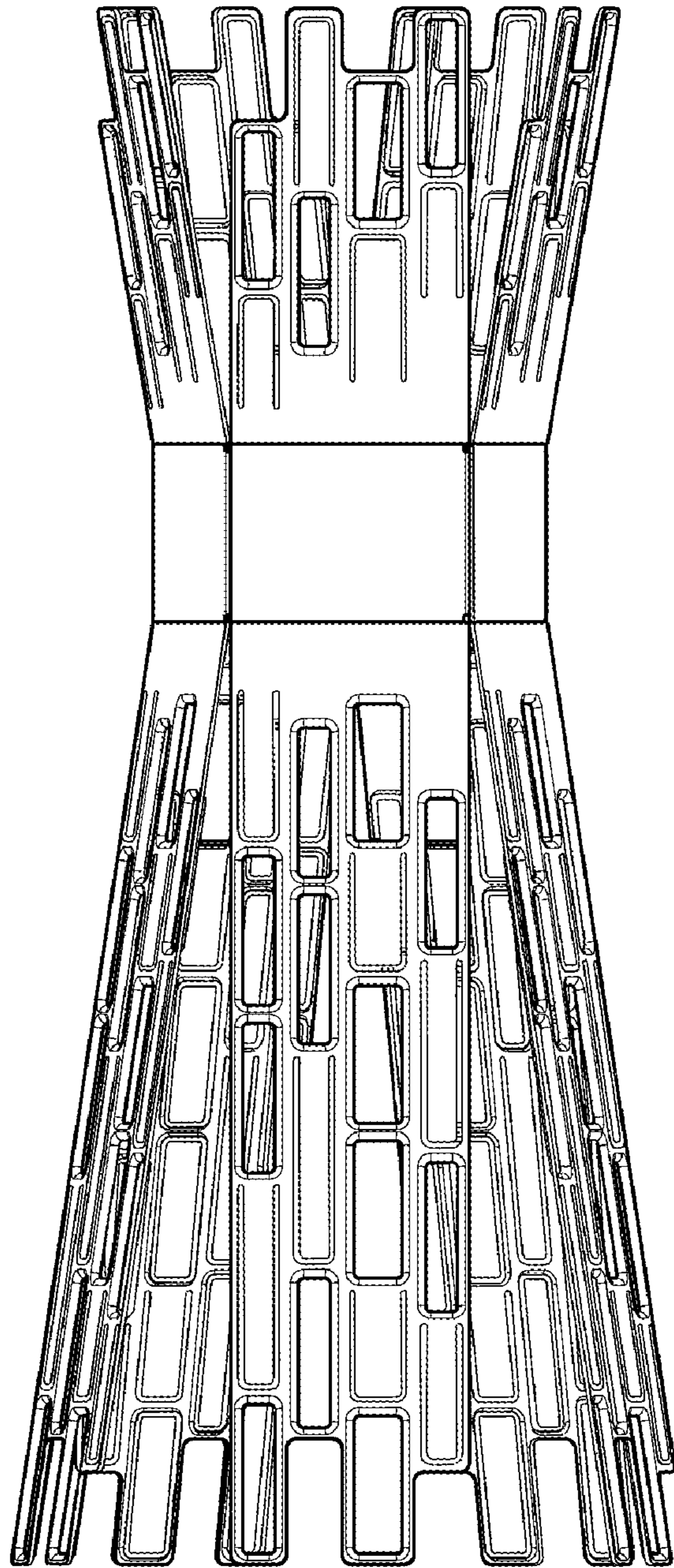


FIG. 3

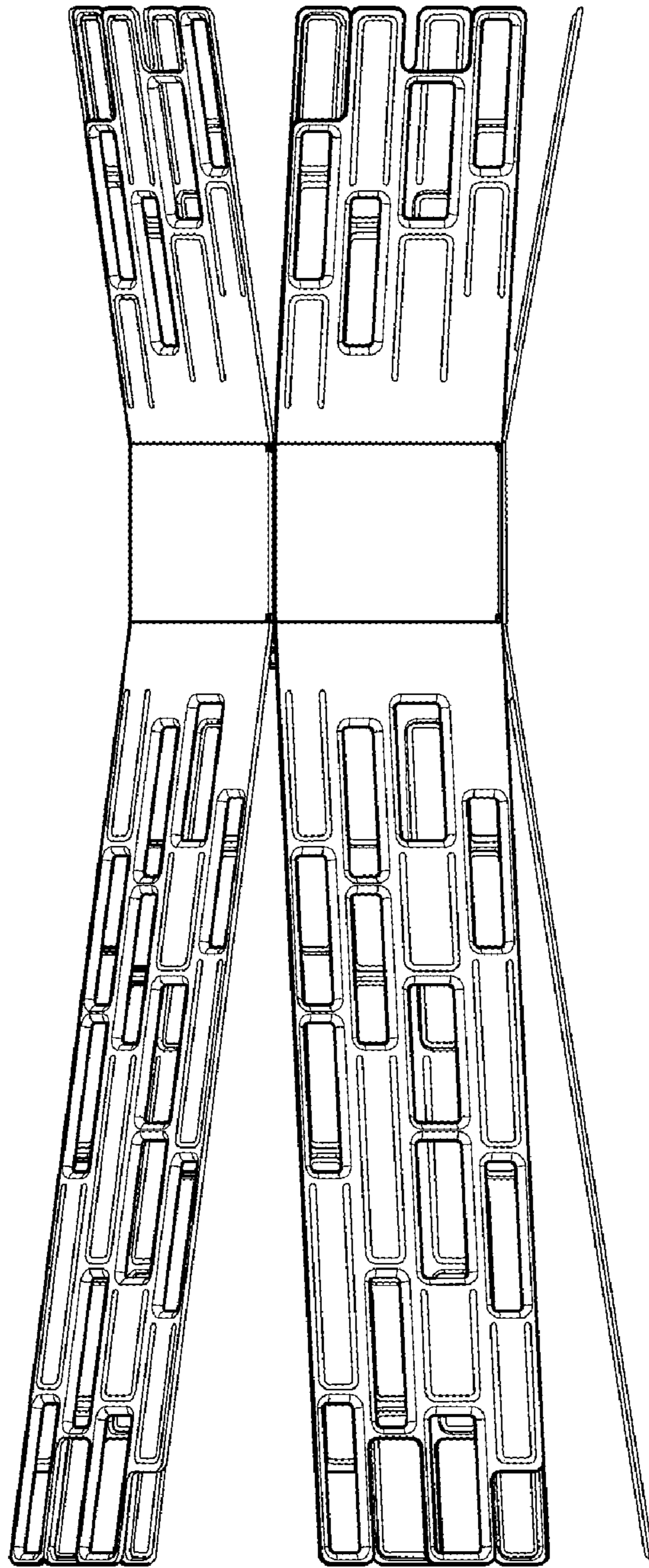


FIG. 4

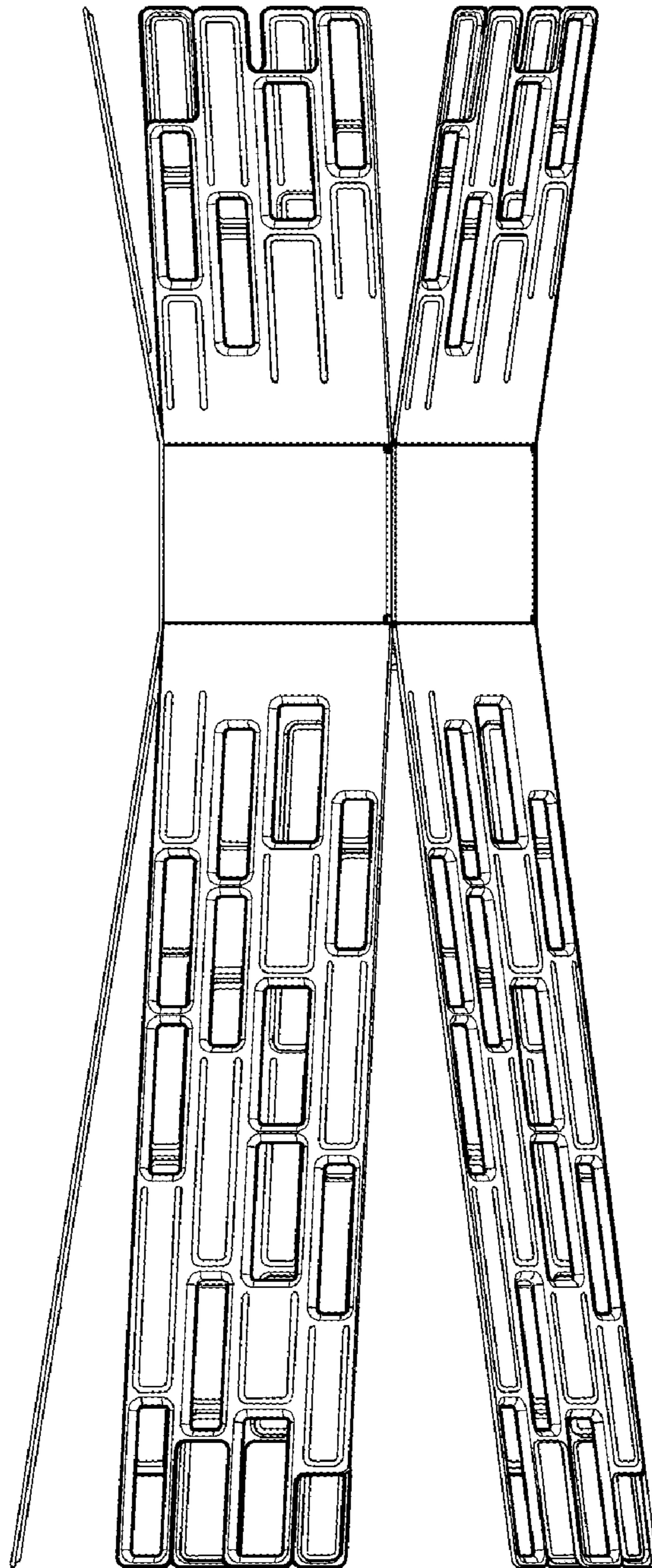


FIG. 5

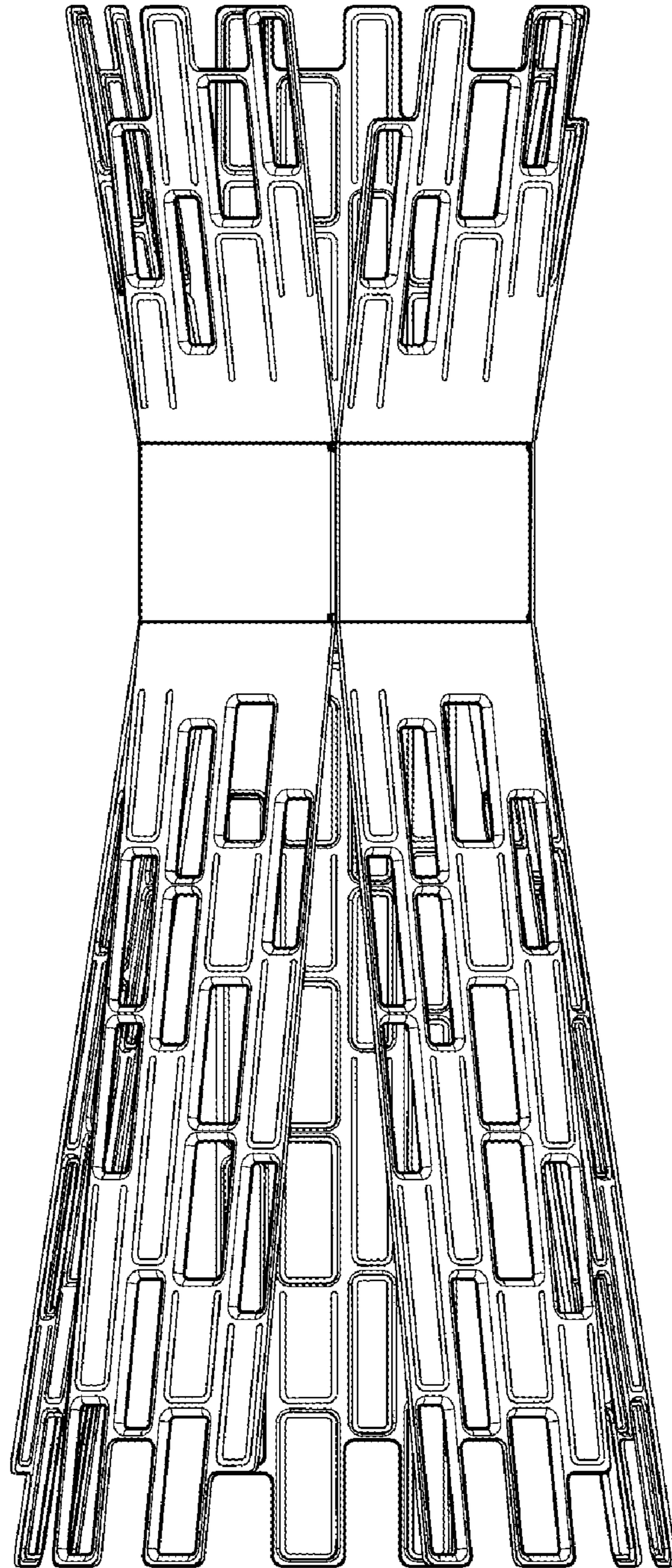


FIG. 6

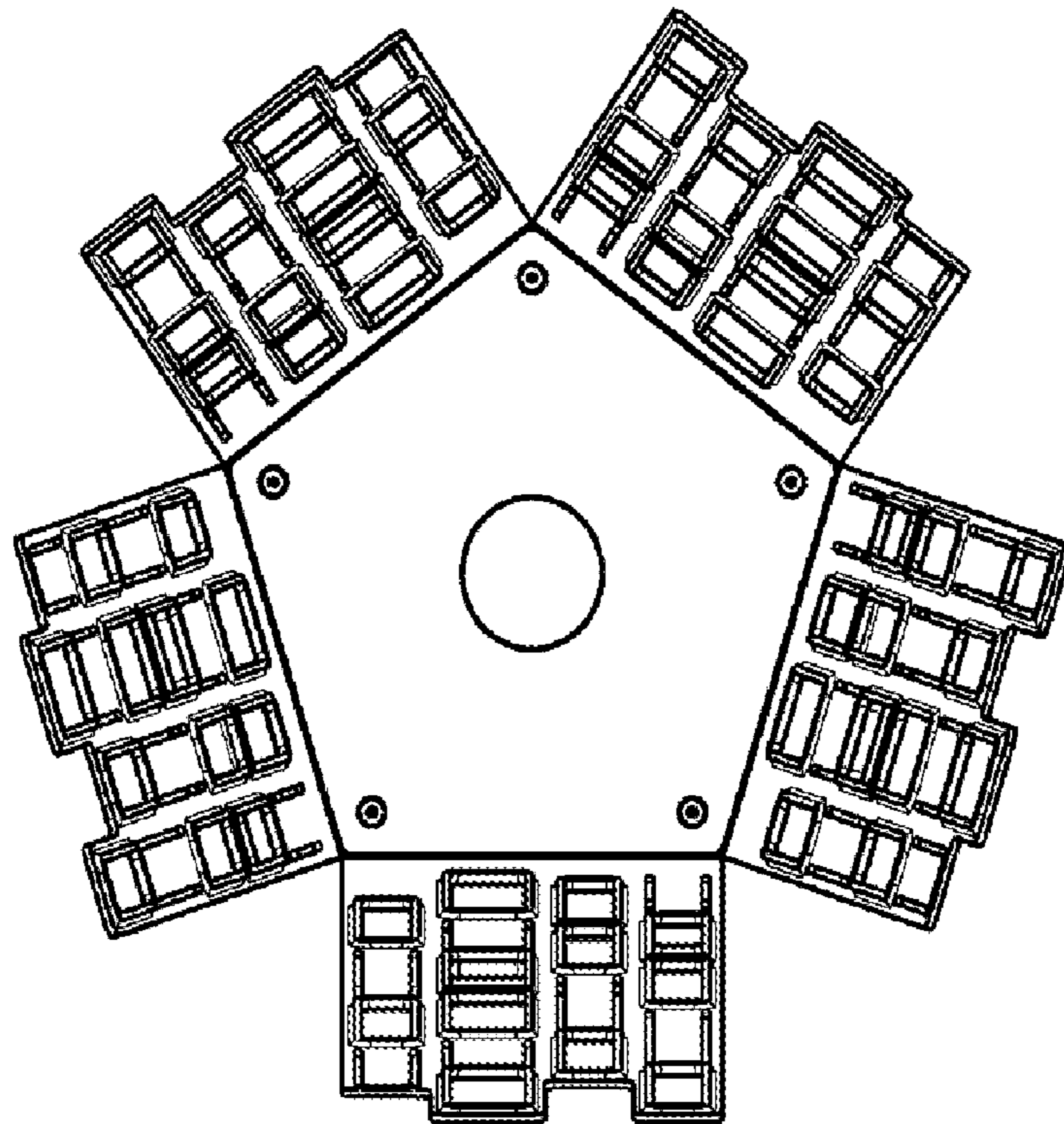


FIG. 7