



US00D633243S

(12) **United States Design Patent**
Call

(10) **Patent No.:** **US D633,243 S**

(45) **Date of Patent:** **** Feb. 22, 2011**

(54) **LIGHT EMITTING DIODE LIGHTING
FIXTURE**

2009/0323343 A1* 12/2009 Wang 362/249.11
2009/0323361 A1* 12/2009 Liu 362/373
2010/0061109 A1* 3/2010 Hou et al. 362/373

(76) Inventor: **Casey A Call**, 11121 Sun Center Dr.,
Suite D, Rancho Cordova, CA (US)
95742

* cited by examiner

Primary Examiner—Clare E Heflin

(74) *Attorney, Agent, or Firm*—Gary Hoenig

(**) Term: **14 Years**

(57) **CLAIM**

(21) Appl. No.: **29/361,368**

The ornamental design for a light emitting diode lighting fixture, as shown and described.

(22) Filed: **May 10, 2010**

(51) **LOC (9) Cl.** **26-05**

(52) **U.S. Cl.** **D26/72; D26/74**

(58) **Field of Classification Search** D26/24,
D26/67, 72, 74, 85, 88, 89; 362/147, 294.02,
362/373, 453, 454, 404-408

See application file for complete search history.

DESCRIPTION

FIG. 1 is a front elevation view of the light emitting diode lighting fixture showing our new design in accordance with a first embodiment of the present invention;

FIG. 2 is a top plan view thereof, the bottom plan view being a mirror image;

FIG. 3 is a left side elevation view thereof, the right side elevation view being a mirror image;

FIG. 4 is a rear elevation view thereof;

FIG. 5 is a front elevation view of the light emitting diode lighting fixture showing our new design in accordance with a second embodiment of the present invention; and,

FIG. 6 is a front elevation view of the light emitting diode lighting fixture showing our new design in accordance with a third embodiment of the present invention.

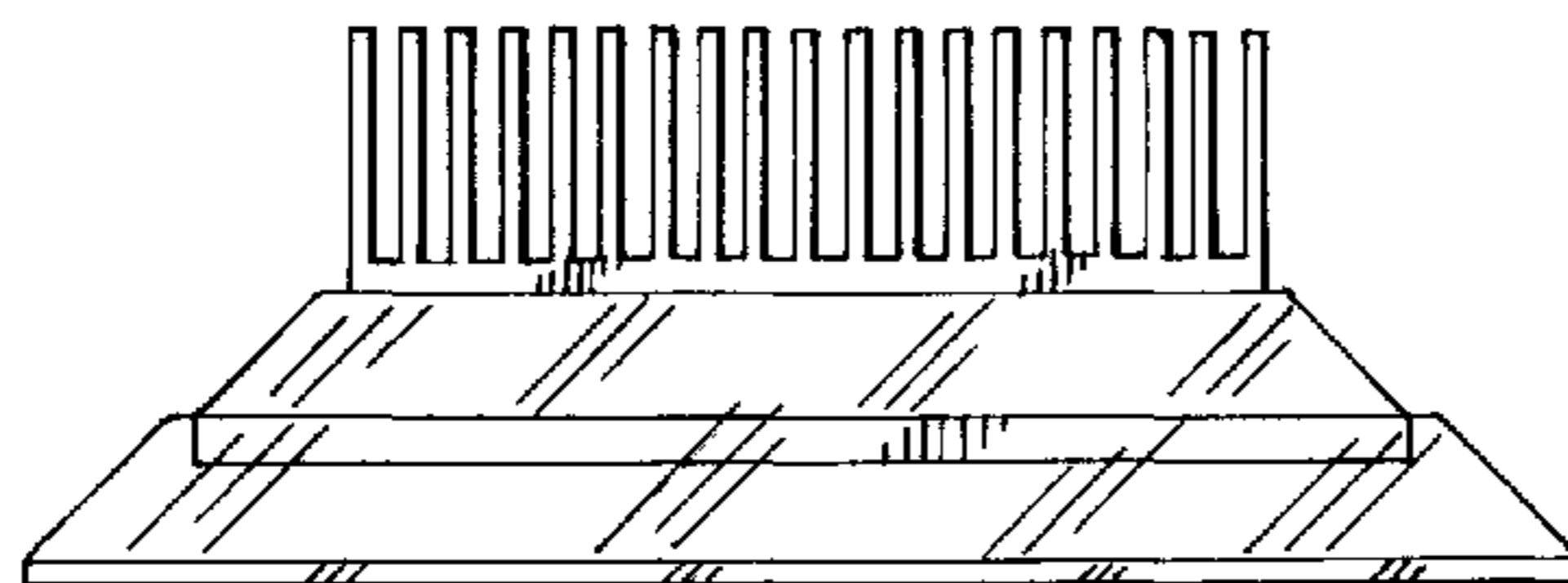
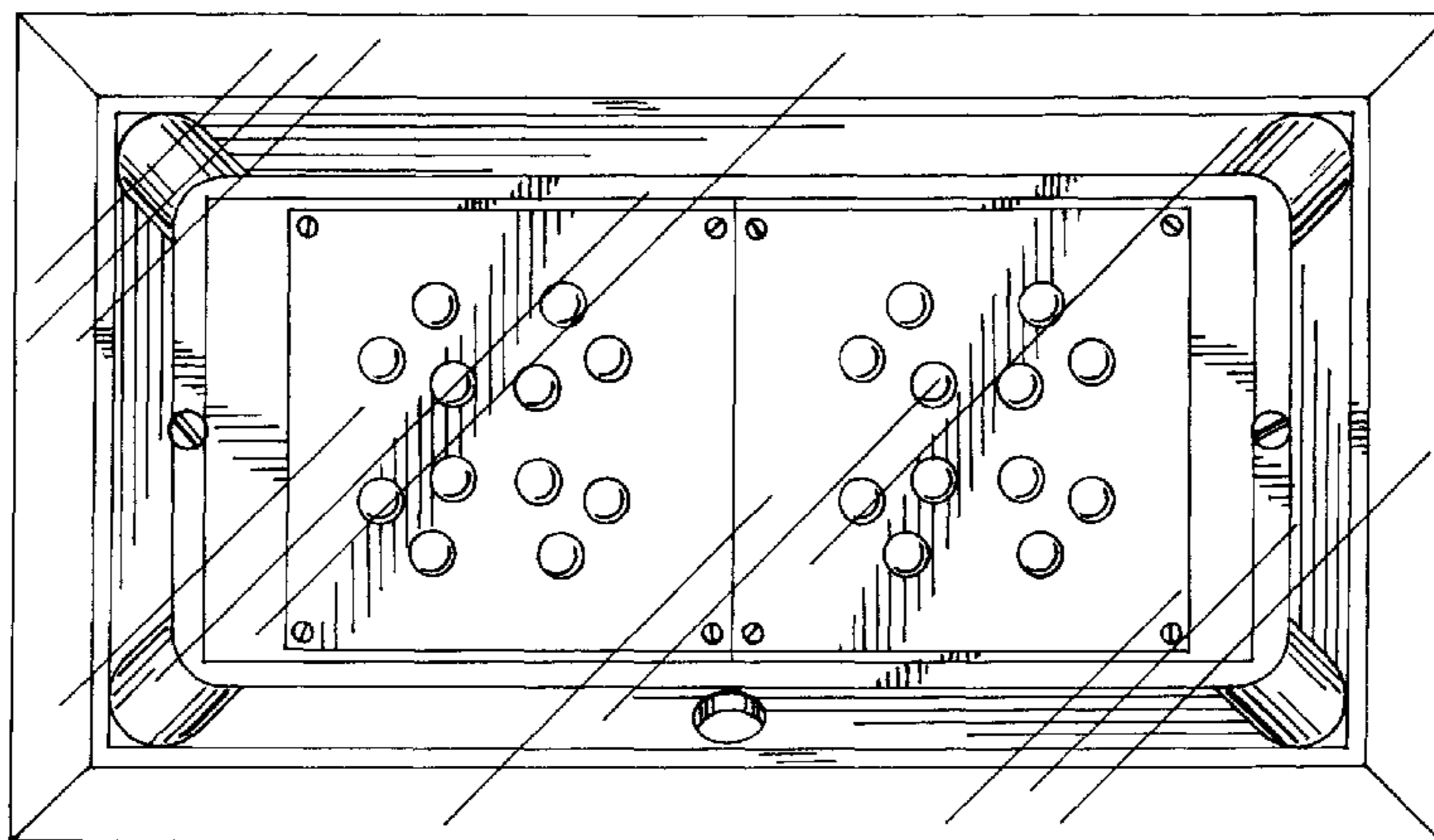
In the second and third embodiments of the design, the sides not shown are the same as that shown for the first embodiment except that the dimensions are consistent with the outlines shown in FIGS. 5 and 6, respectively.

(56) **References Cited**

U.S. PATENT DOCUMENTS

D312,842 S *	12/1990	Younger et al.	D20/42
D313,864 S *	1/1991	Macaluso	D26/29
D315,694 S *	3/1991	Thorp et al.	D10/114
D322,135 S *	12/1991	Wierzbicki et al.	D26/24
6,923,556 B1 *	8/2005	Baker, III	362/227
D527,483 S *	8/2006	McCarthy, III	D26/85
D604,871 S *	11/2009	Denton	D26/24
D613,445 S *	4/2010	Beghelli	D26/74
D615,236 S *	5/2010	Beghelli	D26/74
7,775,692 B2 *	8/2010	Li	362/431
7,784,970 B2 *	8/2010	Sun	362/294
2007/0025096 A1 *	2/2007	Snider et al.	362/29
2009/0052177 A1 *	2/2009	Lin et al.	362/249
2009/0097265 A1 *	4/2009	Sun et al.	362/373
2009/0213588 A1 *	8/2009	Manes	362/235

1 Claim, 3 Drawing Sheets



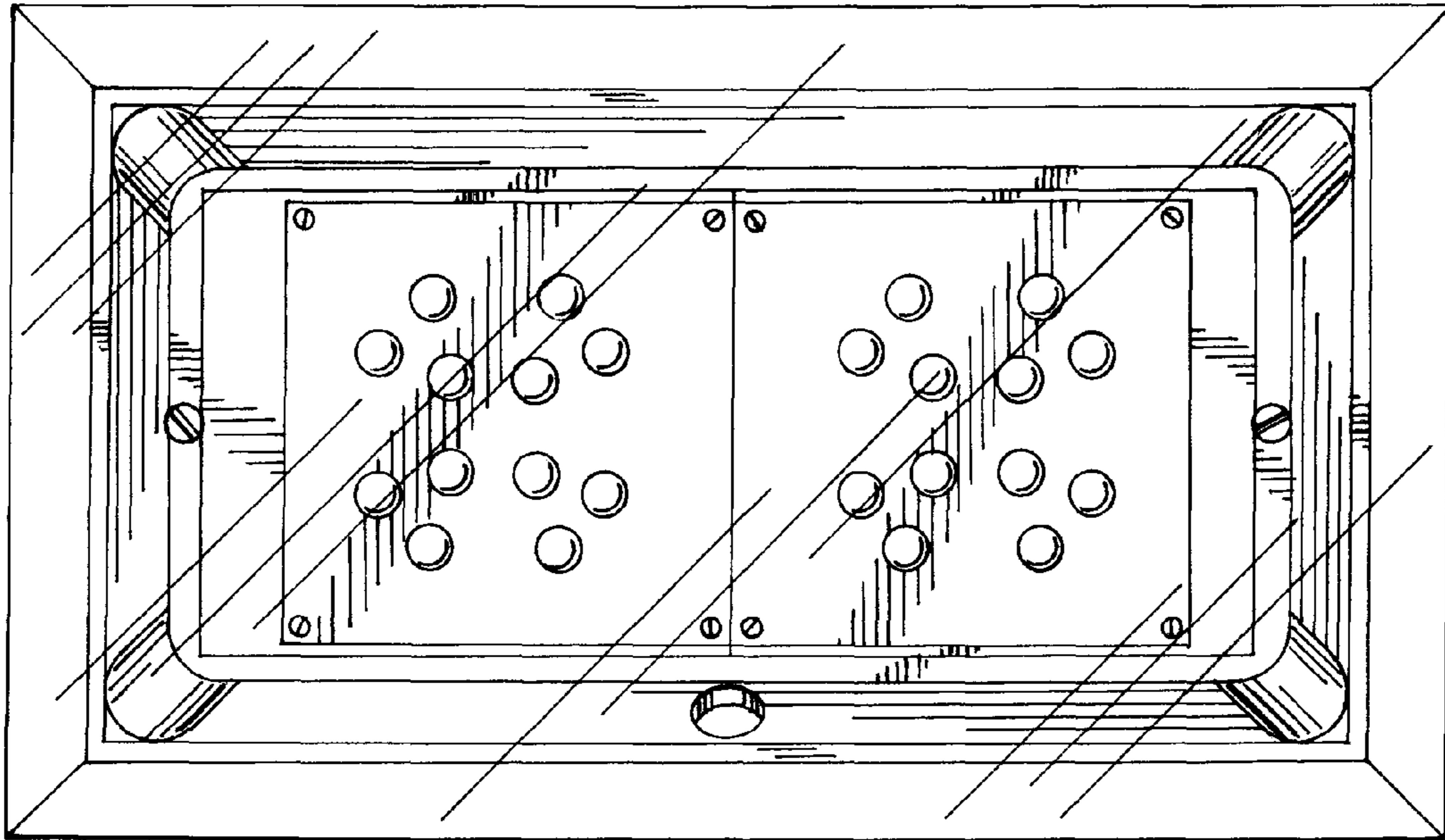
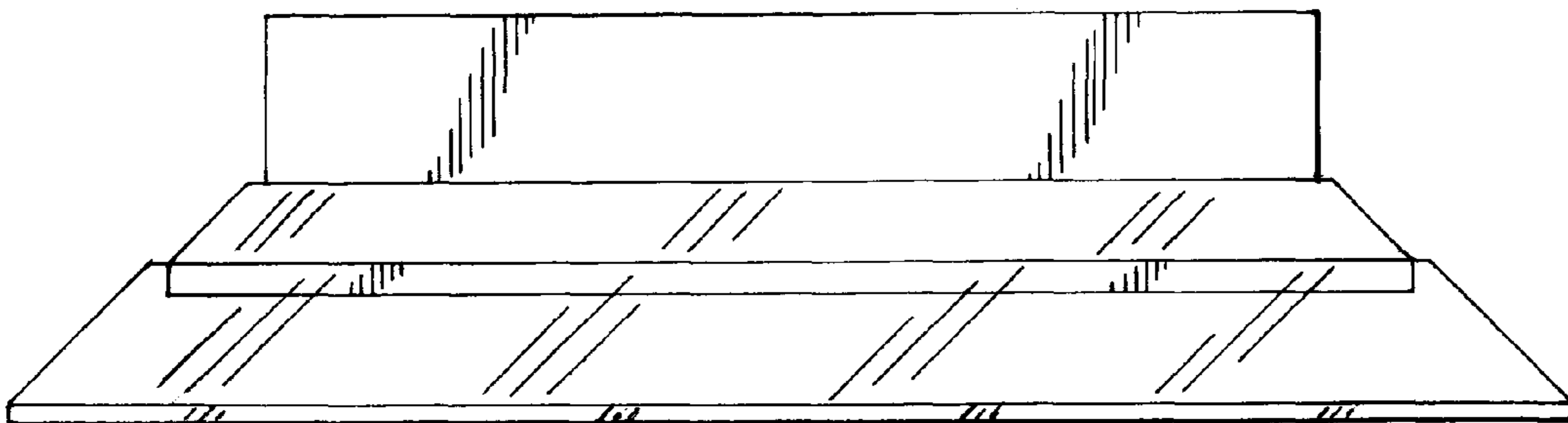


FIG. 1

FIG. 2



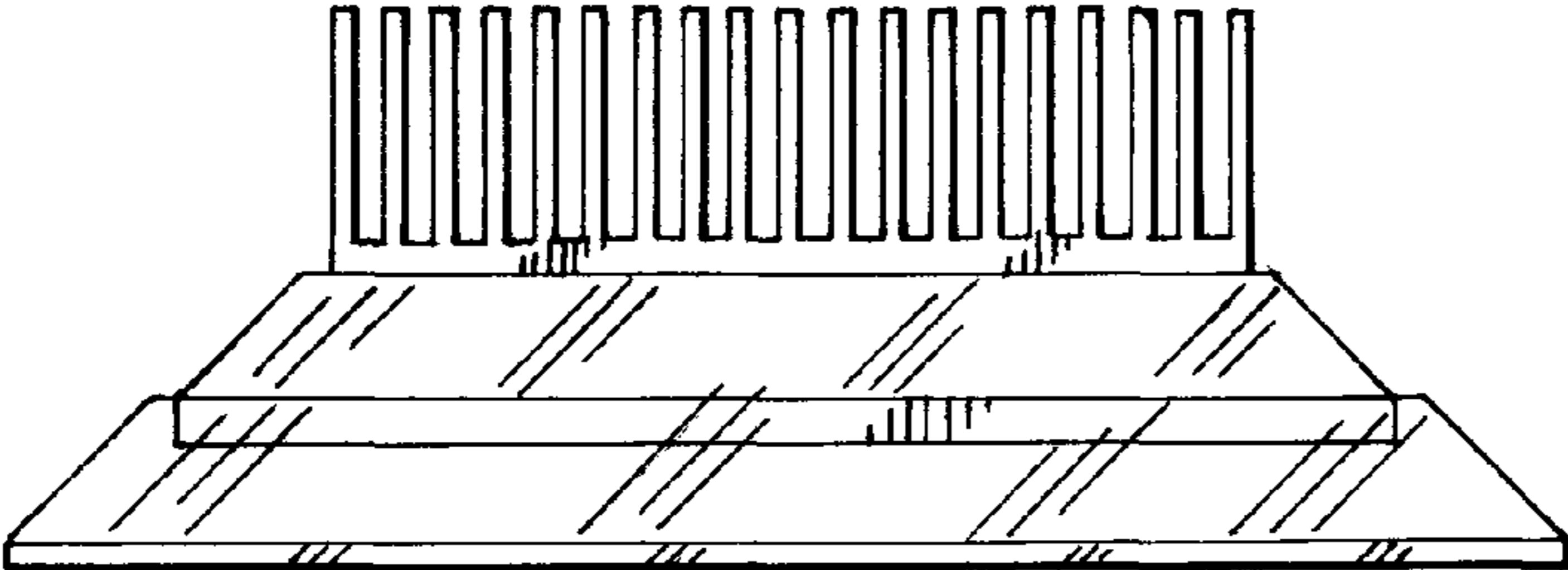


FIG. 3

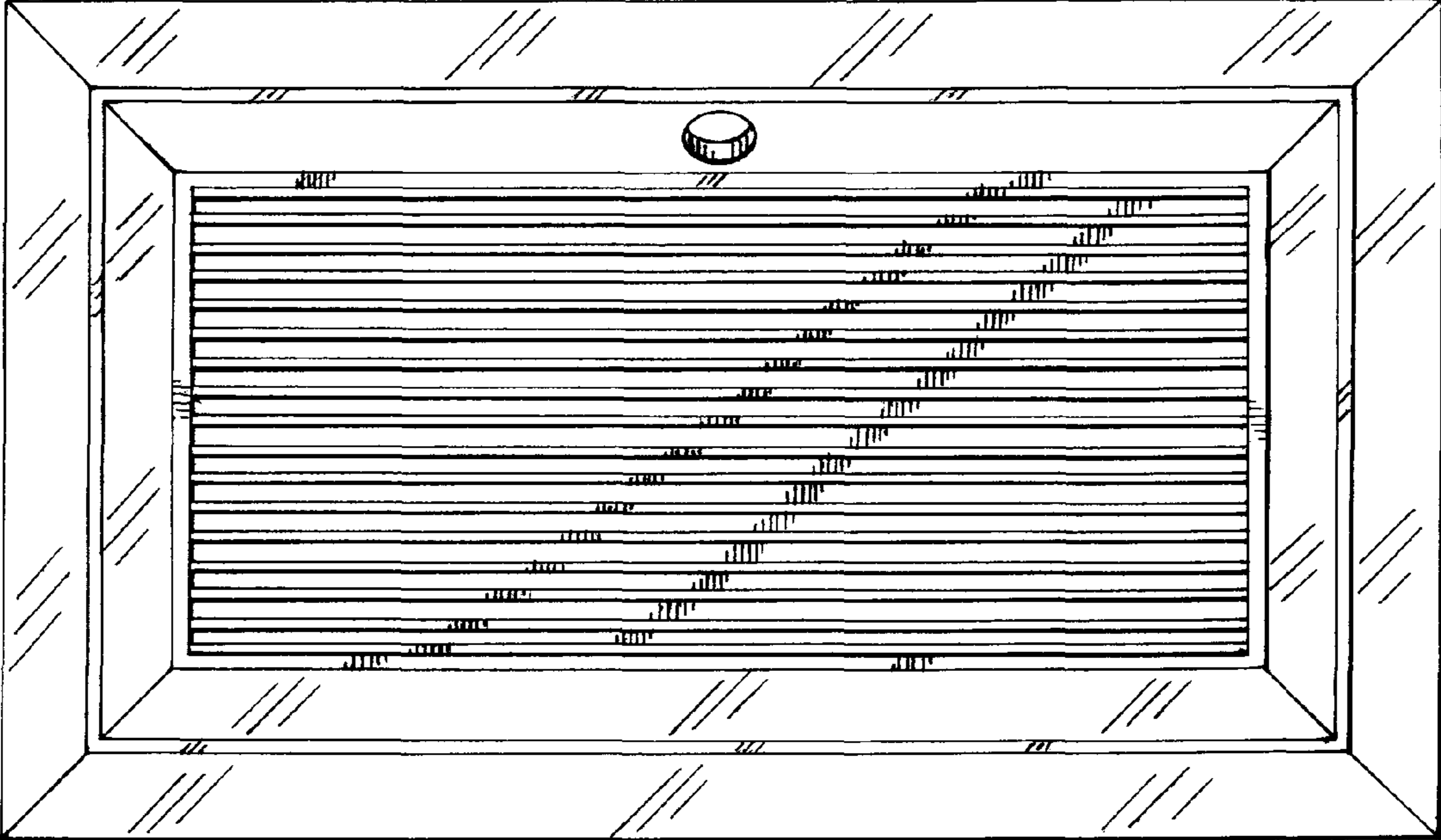


FIG. 4

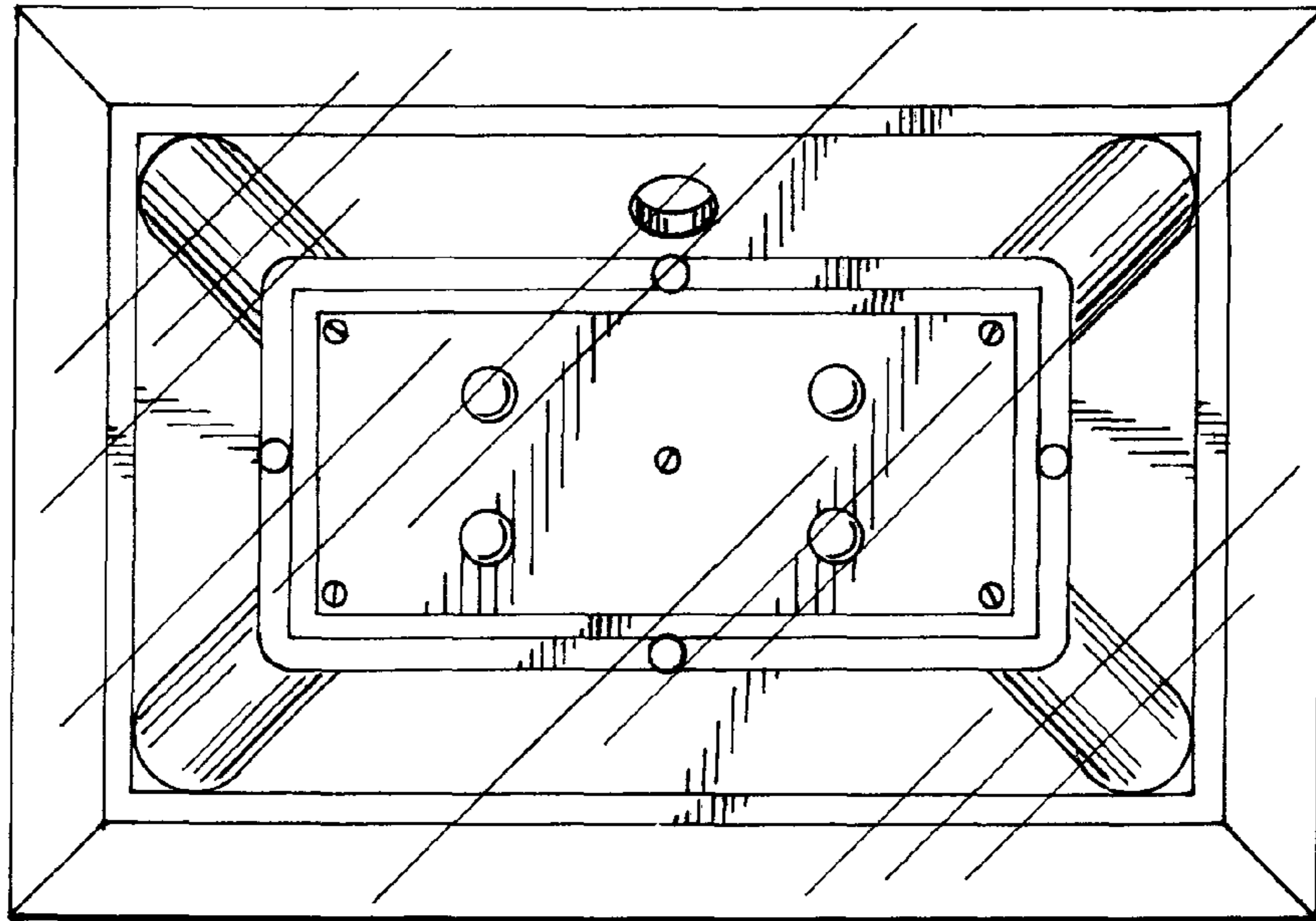


FIG. 5

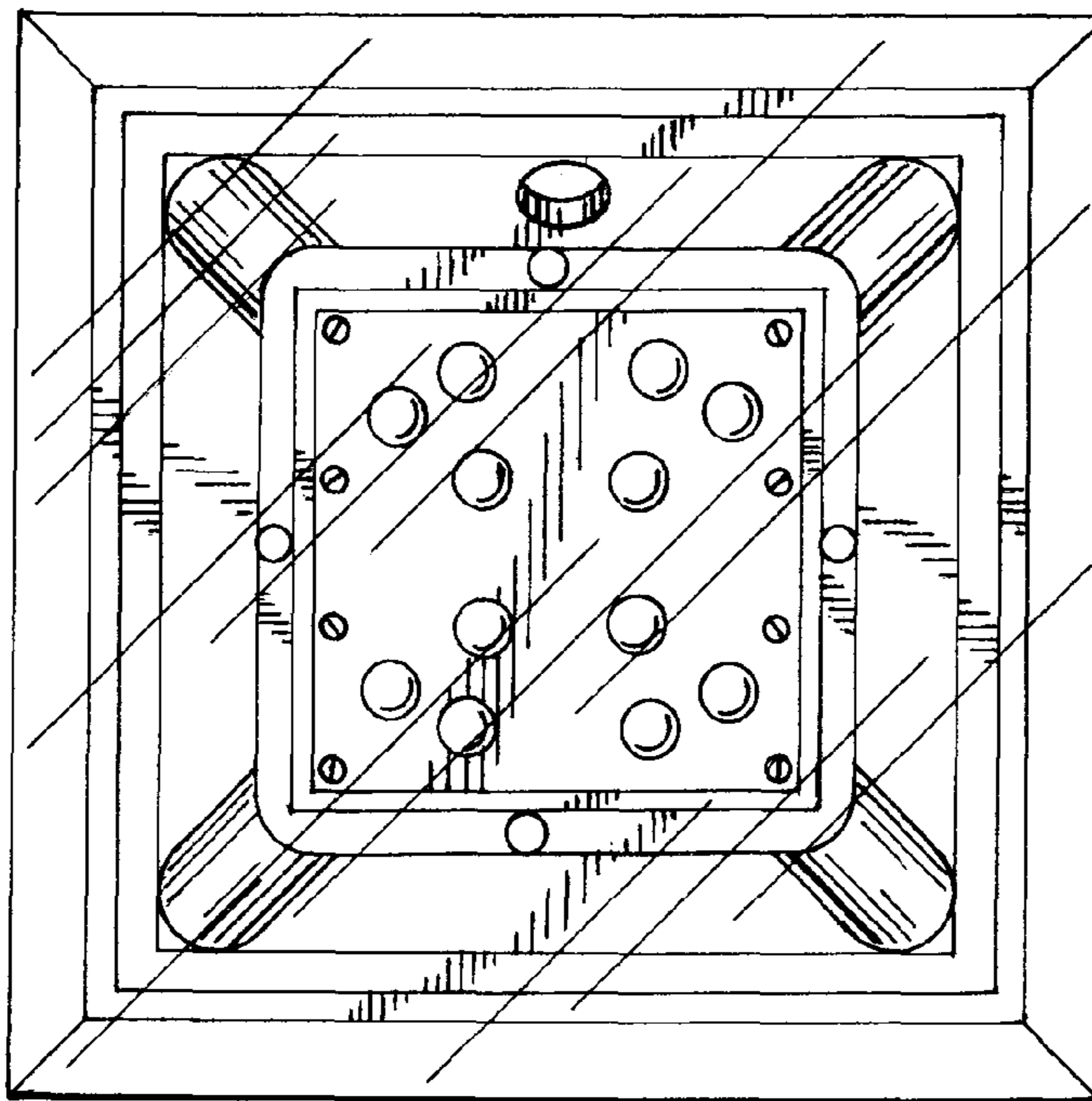


FIG. 6