



US00D633242S

(12) **United States Design Patent**
Piano

(10) **Patent No.:** **US D633,242 S**
(45) **Date of Patent:** **** Feb. 22, 2011**

(54) **LIGHTING APPARATUS**

(75) Inventor: **Matteo Piano**, Genoa (IT)

(73) Assignee: **Iguzzini Illuminazione S.p.A.**, Recanati (IT)

(**) Term: **14 Years**

(21) Appl. No.: **29/345,072**

(22) Filed: **Oct. 8, 2009**

(30) **Foreign Application Priority Data**

Apr. 9, 2009 (EM) 001119986-0021

(51) **LOC (9) Cl.** **26-05**

(52) **U.S. Cl.** **D26/63; D26/65**

(58) **Field of Classification Search** D26/61-66,
D26/43, 44, 72, 74-93, 110-112, 102, 104,
D26/118; 362/147, 148, 269, 270, 274, 275,
362/277, 278, 281-288, 413, 404, 406, 418,
362/419, 427-430, 800, 249.01-249.16,
362/311.03, 421, 211, 213, 215, 225, 145,
362/227, 232, 235-241, 268, 311.01, 311.02,
362/249.1

See application file for complete search history.

(56) **References Cited**

U.S. PATENT DOCUMENTS

- 3,643,079 A * 2/1972 Glickman 362/249.09
- D263,630 S * 3/1982 Wong D26/41
- D272,656 S * 2/1984 Parker D26/65
- D296,717 S * 7/1988 Kane et al. D26/63
- D324,431 S * 3/1992 Richardson et al. D26/63
- D330,944 S * 11/1992 Wereley D26/63
- D349,356 S * 8/1994 Layne D26/63
- D372,550 S * 8/1996 Stultz D26/63
- D417,300 S * 11/1999 Stacy et al. D26/63

- D544,128 S * 6/2007 Carro D26/74
- 7,273,301 B2 * 9/2007 Mier-Langner et al. 362/147
- 7,338,186 B1 * 3/2008 Wu et al. 362/294
- D568,517 S * 5/2008 Redfern et al. D26/63
- 7,465,077 B1 * 12/2008 Mier-Langner et al. 362/365
- D603,546 S * 11/2009 Kay D26/65
- D605,235 S * 12/2009 Julich D21/489
- D613,445 S * 4/2010 Beghelli D26/74
- D618,373 S * 6/2010 Fukasawa D26/63
- 2008/0084694 A1 * 4/2008 Rose et al. 362/240

* cited by examiner

Primary Examiner—Philip S Hyder

Assistant Examiner—Linda G. Brooks

(74) *Attorney, Agent, or Firm*—Abelman, Frayne & Schwab

(57) **CLAIM**

The ornamental design for a lighting apparatus, as shown and described.

DESCRIPTION

FIG. 1 is a bottom, front, and left side perspective view of my design for a lighting apparatus;

FIG. 2 is a front elevational view thereof in an adjusted configuration;

FIG. 3 is a rear elevational view thereof in an adjusted configuration;

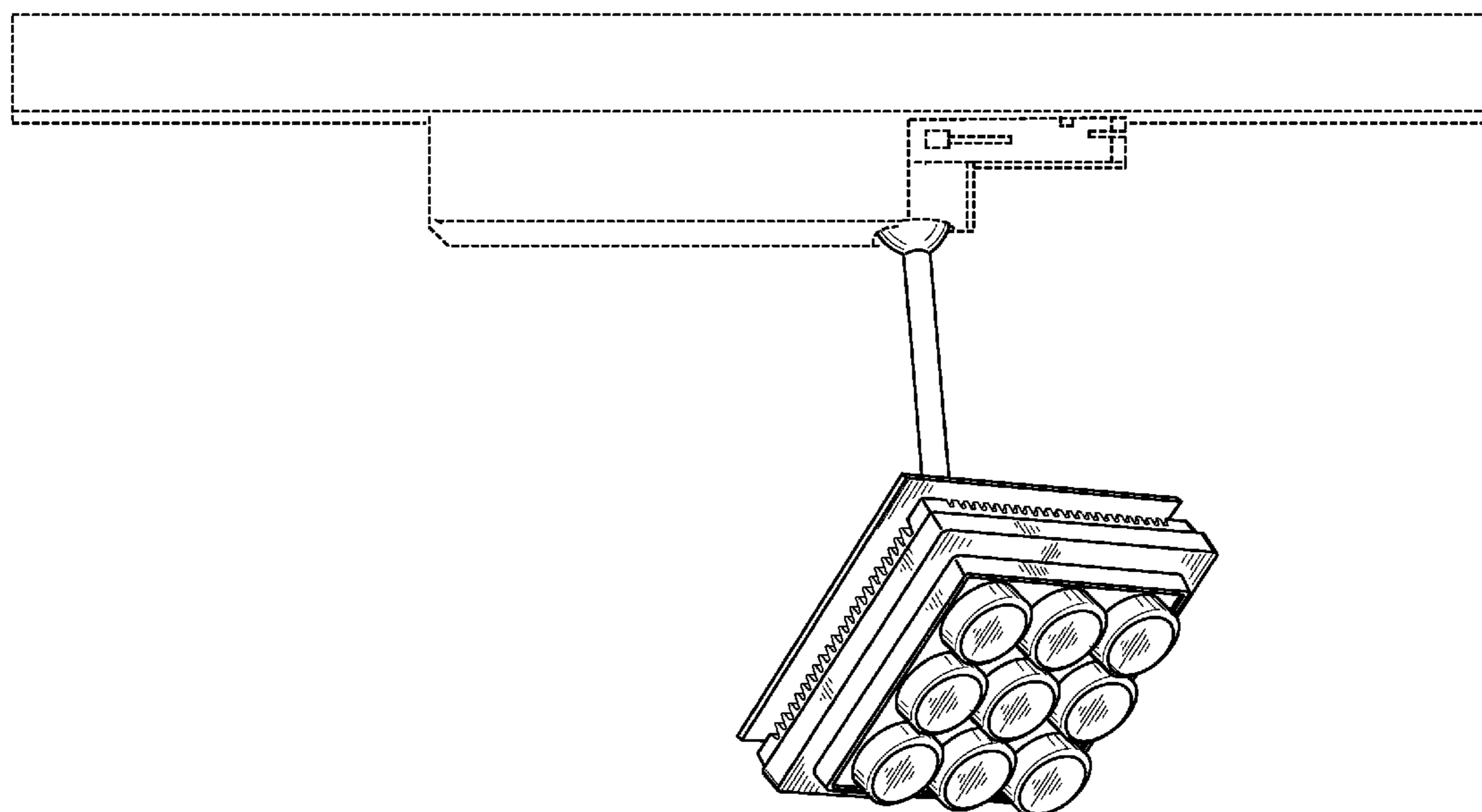
FIG. 4 is a left elevational view thereof in an adjusted configuration;

FIG. 5 is a right elevational view thereof in an adjusted configuration; and,

FIG. 6 is a left side elevational view thereof in an adjusted configuration.

The broken lines and dash-dot lines showing portions of the lighting apparatus form no part of the claimed design.

1 Claim, 6 Drawing Sheets



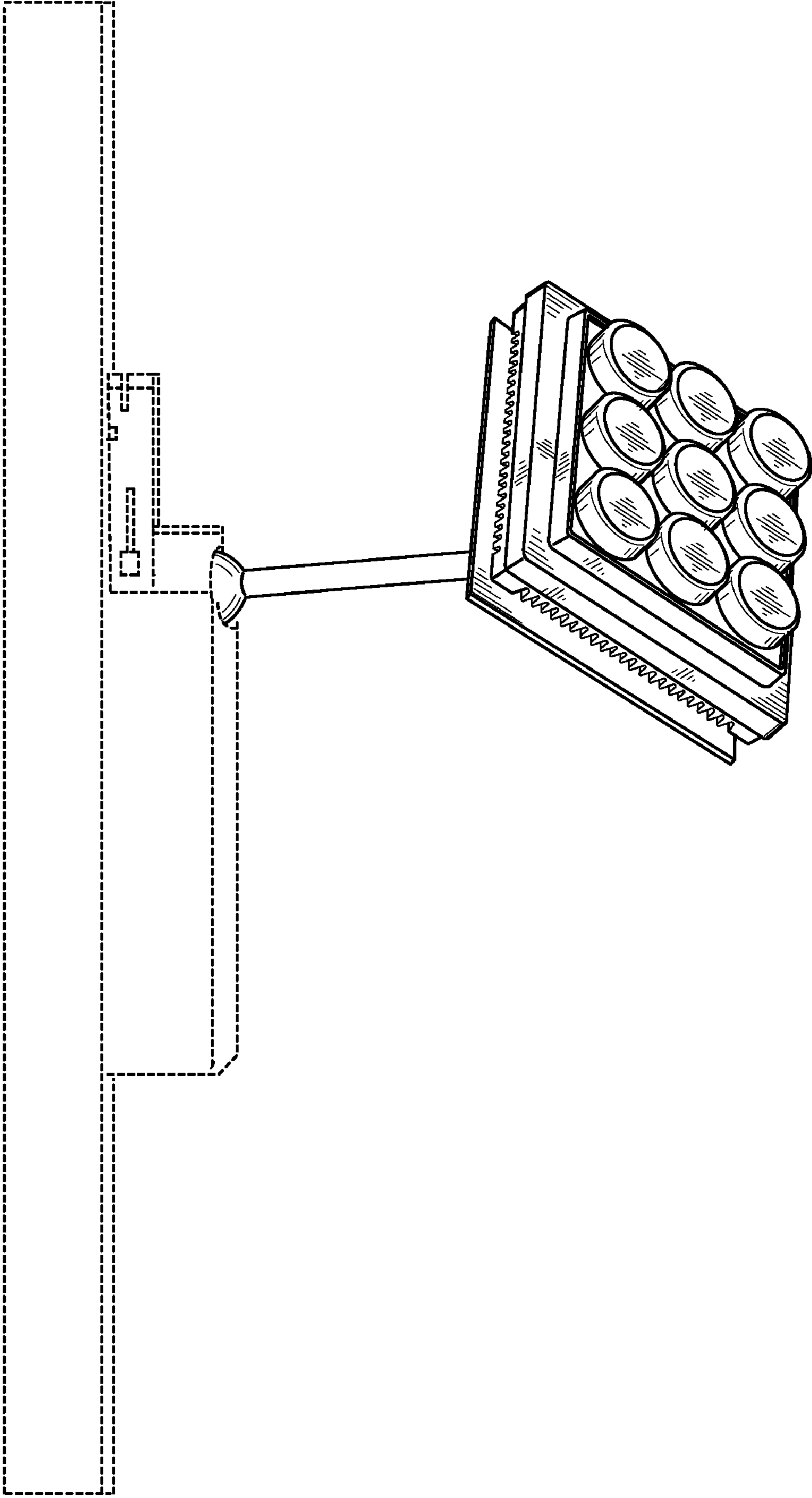


Figure 1

Figure 2

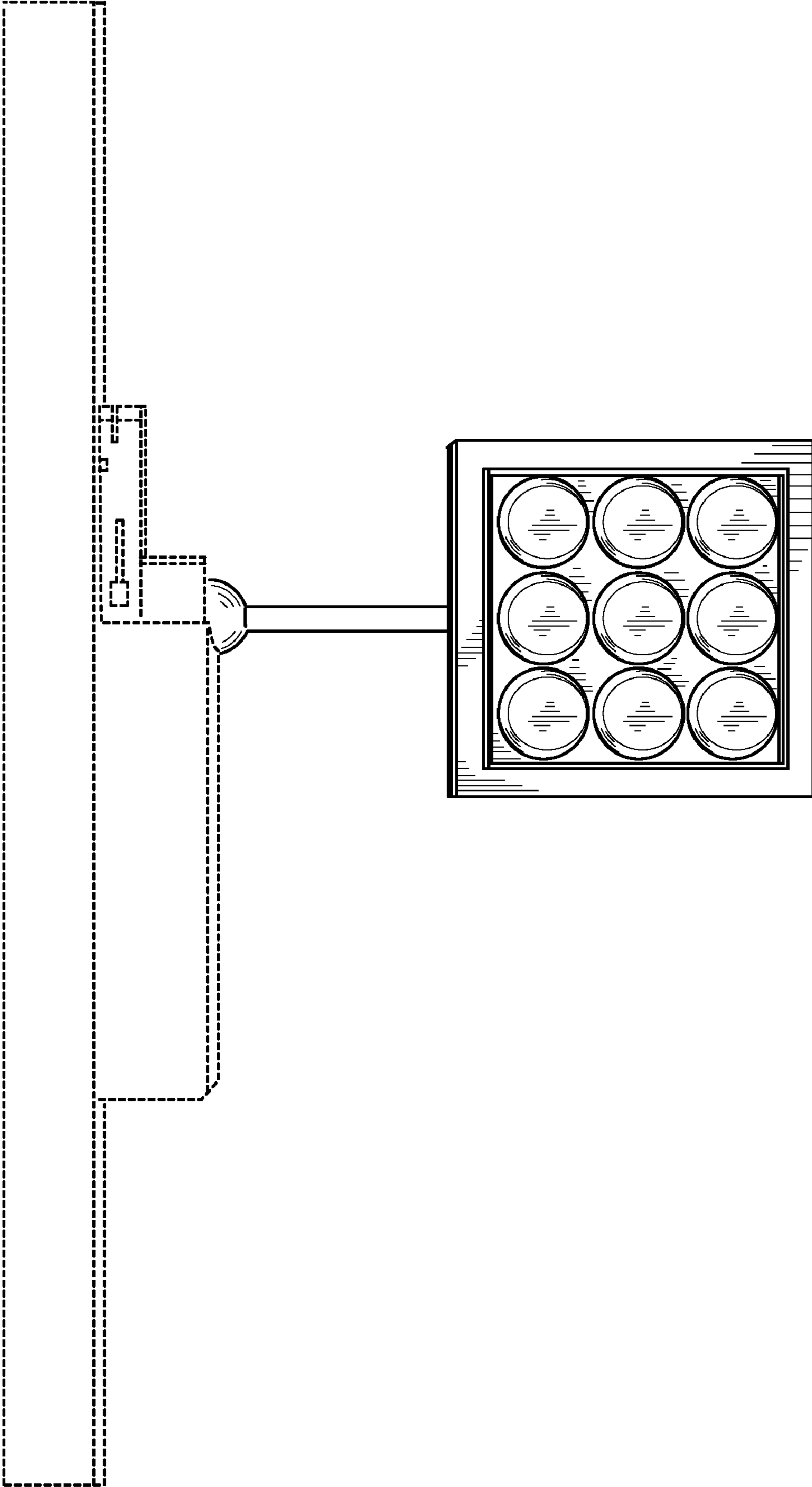
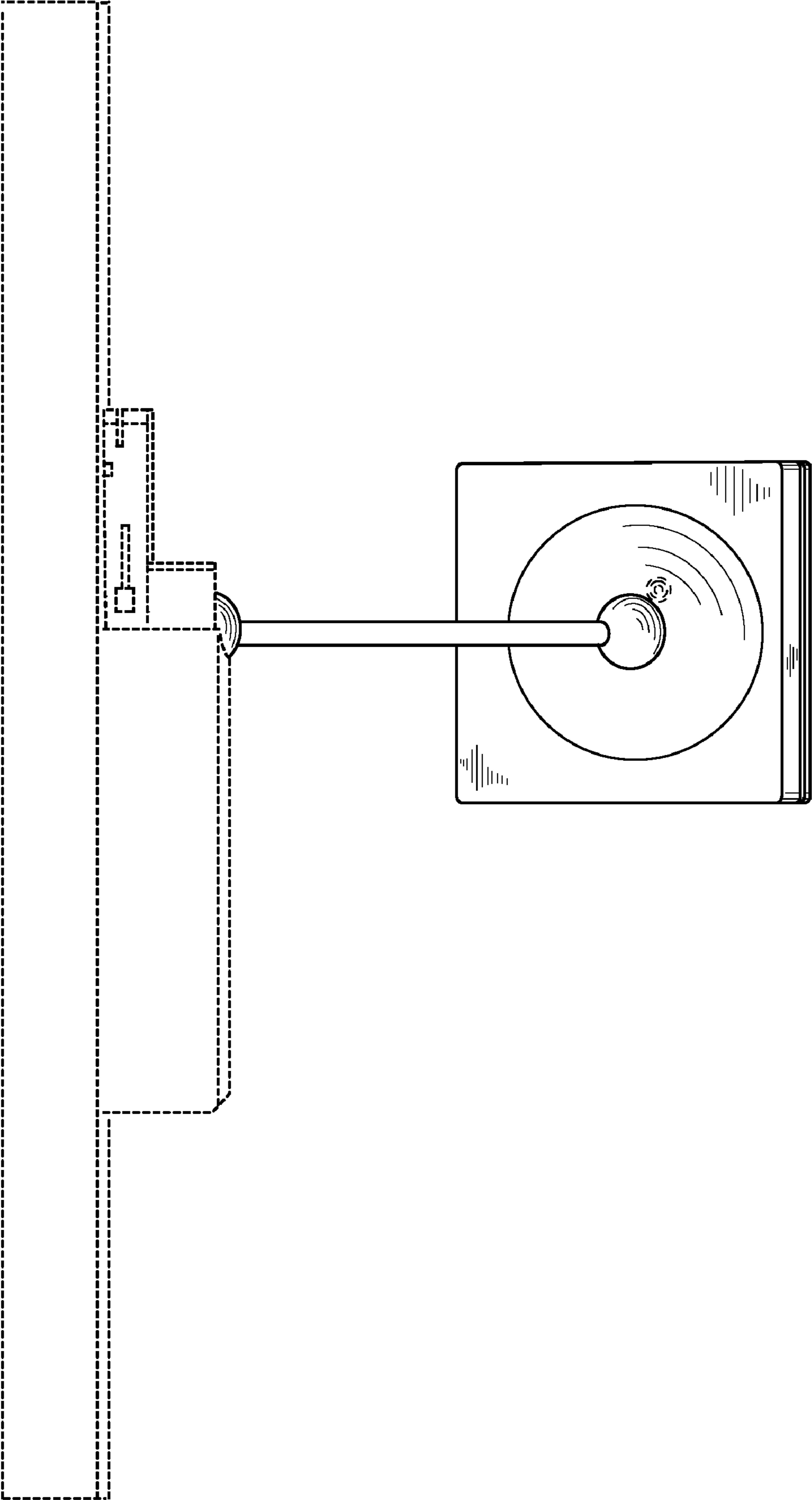


Figure 3



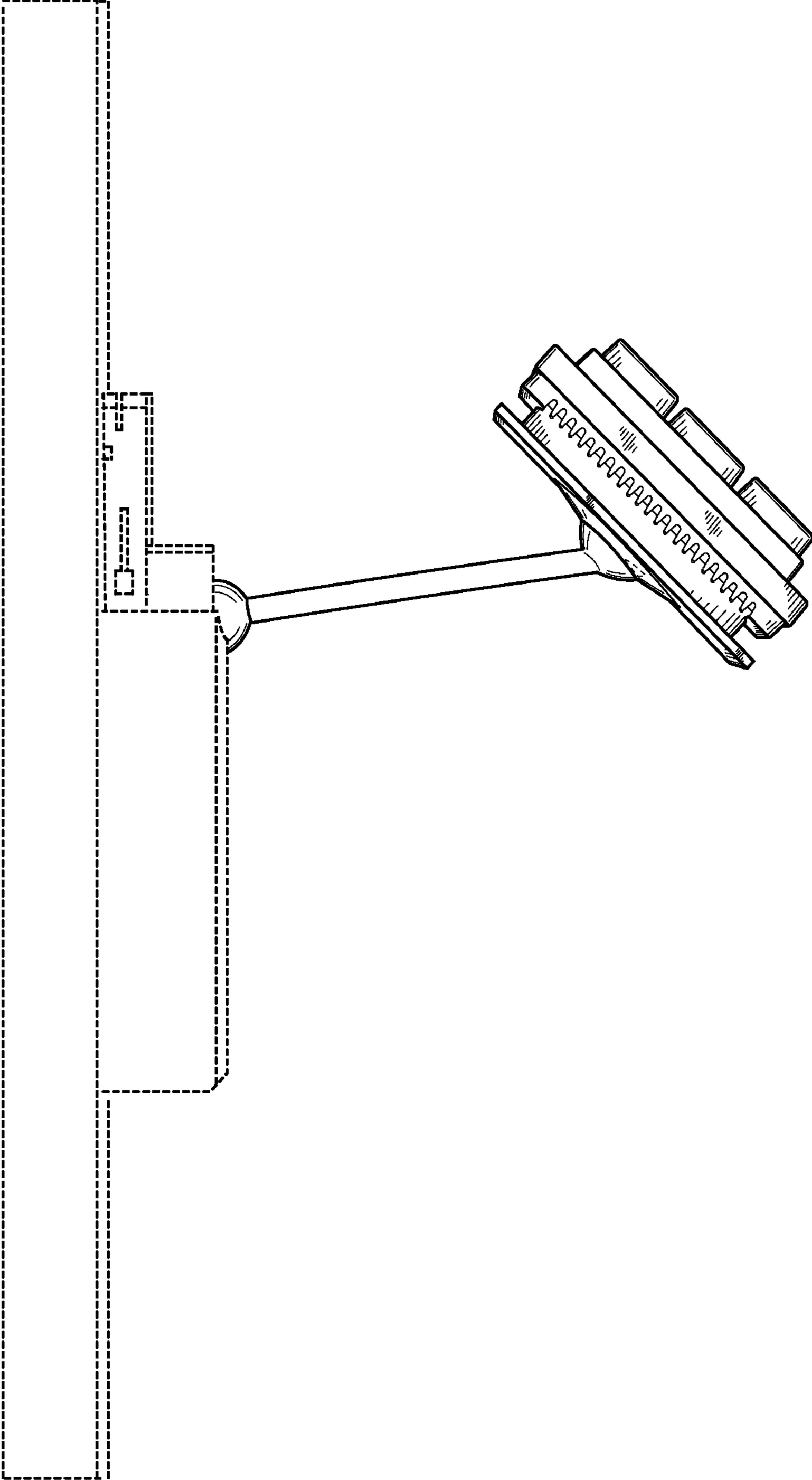


Figure 4

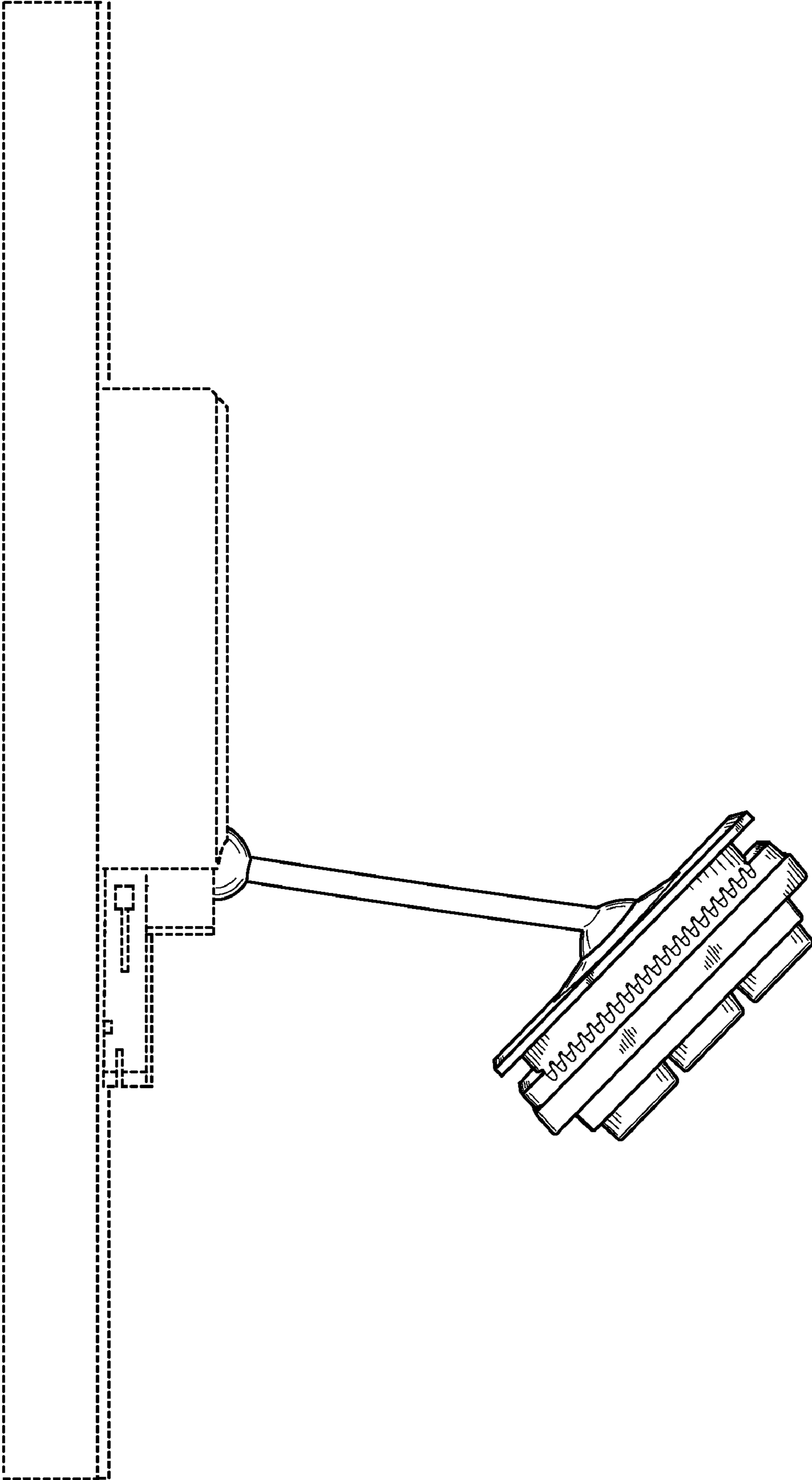


Figure 5

Figure 6

