



US00D633241S

(12) **United States Design Patent**
Piano

(10) **Patent No.:** **US D633,241 S**

(45) **Date of Patent:** **** Feb. 22, 2011**

(54) **LIGHTING APPARATUS**

(75) Inventor: **Matteo Piano**, Genoa (IT)

(73) Assignee: **Iguzzini Illuminazione S.p.A.**, Recanati (IT)

(**) Term: **14 Years**

(21) Appl. No.: **29/345,071**

(22) Filed: **Oct. 8, 2009**

(30) **Foreign Application Priority Data**

Apr. 9, 2009 (EP) 001119986-0020

(51) **LOC (9) Cl.** **26-05**

(52) **U.S. Cl.** **D26/63**

(58) **Field of Classification Search** D26/61-66,
D26/43, 44, 72, 74-93, 110-112; 362/147,
362/148, 269, 270, 274, 275, 277, 278, 281-288,
362/413, 404, 406, 418, 419, 427-430, 421
See application file for complete search history.

(56) **References Cited**

U.S. PATENT DOCUMENTS

D263,630	S	*	3/1982	Wong	D26/41
D296,717	S	*	7/1988	Kane et al.	D26/63
D324,431	S	*	3/1992	Richardson et al.	D26/63
D330,944	S	*	11/1992	Wereley	D26/63
D349,356	S	*	8/1994	Layne	D26/63
D372,550	S	*	8/1996	Stultz	D26/63
D417,300	S	*	11/1999	Stacy et al.	D26/63
D544,128	S	*	6/2007	Carro	D26/74

7,273,301	B2	*	9/2007	Mier-Langner et al.	362/147
7,465,077	B1	*	12/2008	Mier-Langner et al.	362/365
D603,546	S	*	11/2009	Kay	D26/65
D618,373	S	*	6/2010	Fukasawa	D26/63

* cited by examiner

Primary Examiner—Philip S Hyder

Assistant Examiner—Linda G. Brooks

(74) *Attorney, Agent, or Firm*—Abelman, Frayne & Schwab

(57) **CLAIM**

The ornamental design for a lighting apparatus, as shown and described.

DESCRIPTION

FIG. 1 is a bottom, front, and left side perspective view of my design for a lighting apparatus;

FIG. 2 is a front elevational view thereof in an adjusted configuration;

FIG. 3 is a rear elevational view thereof in an adjusted configuration;

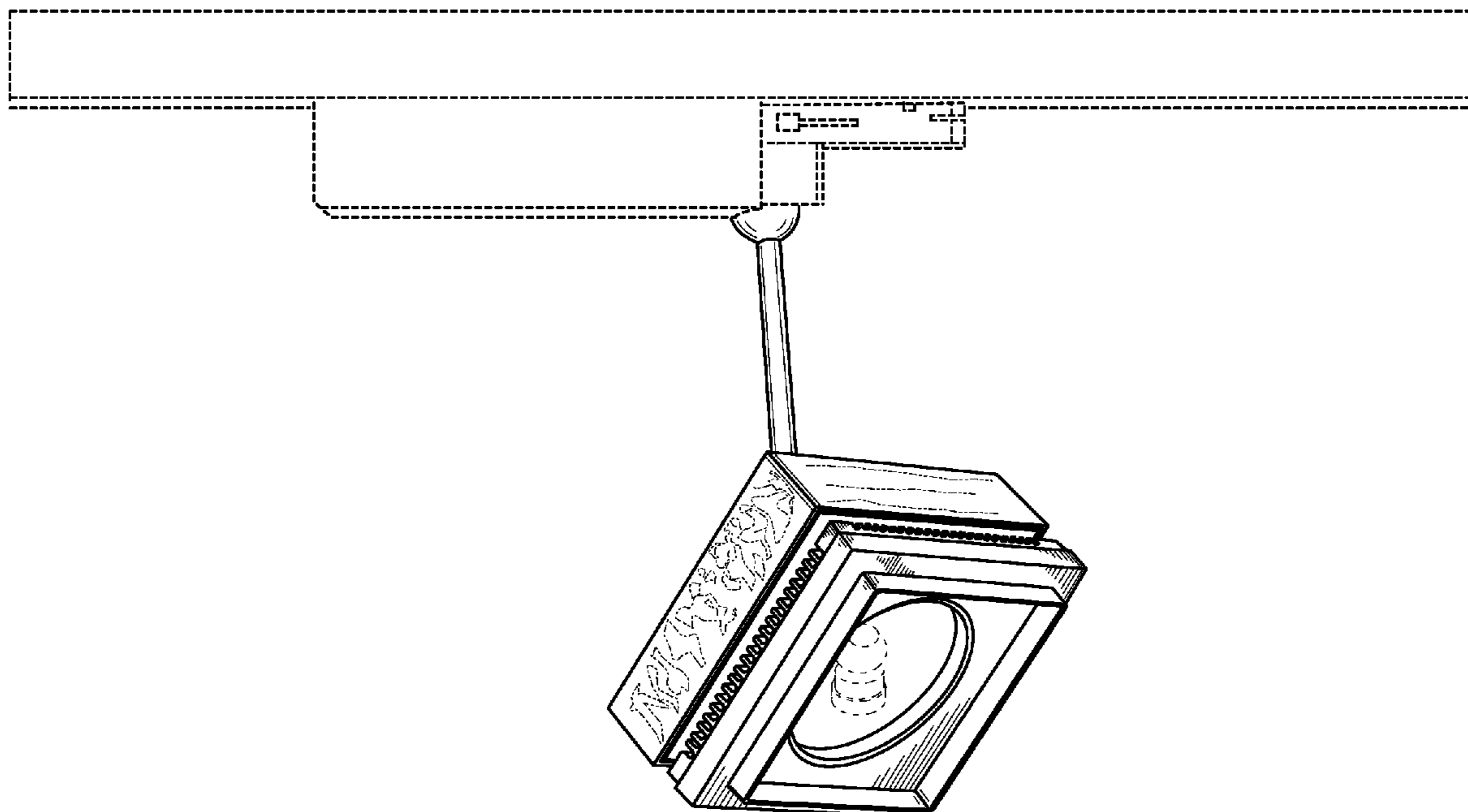
FIG. 4 is a left elevational view thereof in an adjusted configuration;

FIG. 5 is a right elevational view thereof in an adjusted configuration; and,

FIG. 6 is a left side elevational view thereof in an adjusted configuration.

The broken lines and dash-dot lines showing portions of the lighting apparatus form no part of the claimed design.

1 Claim, 6 Drawing Sheets



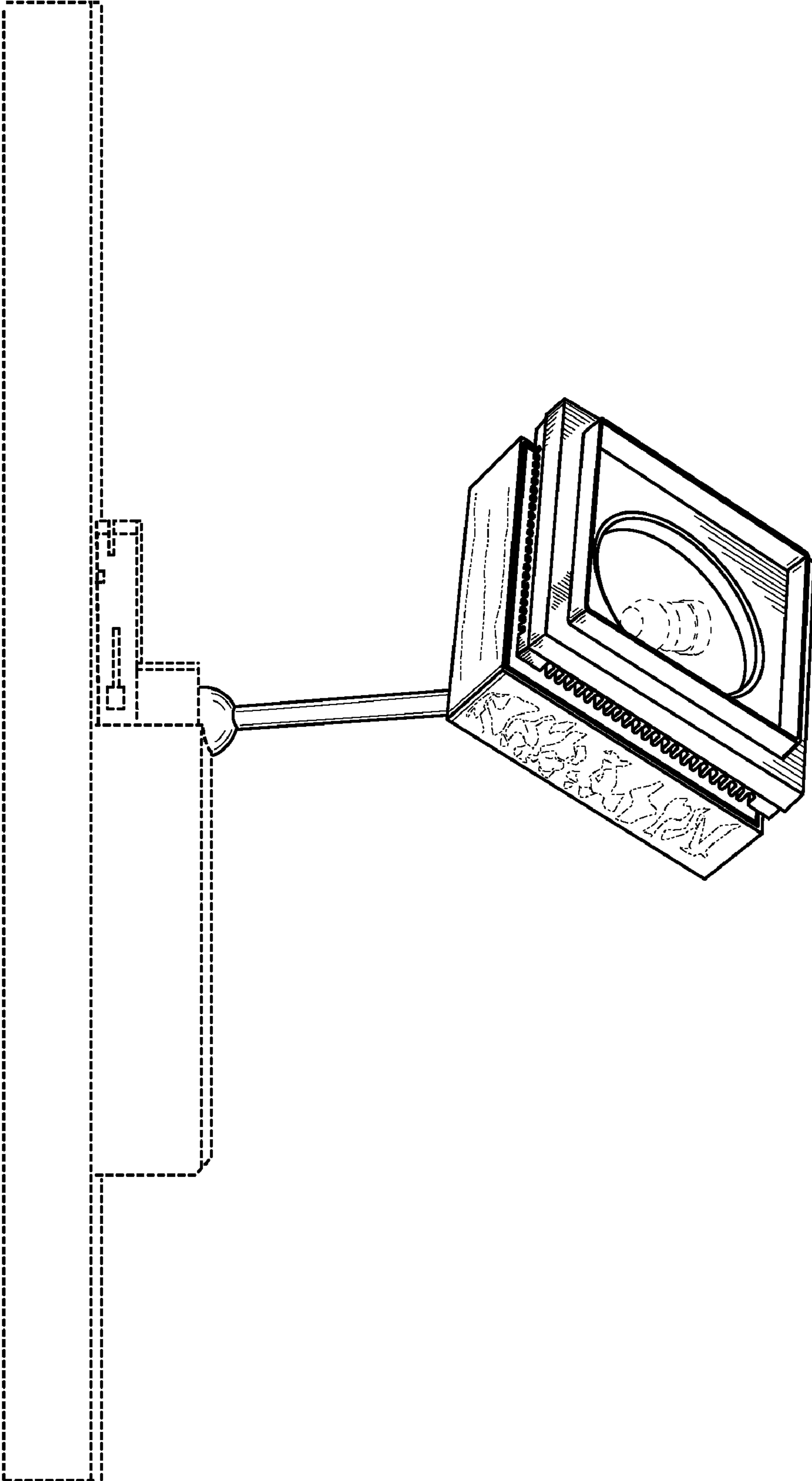
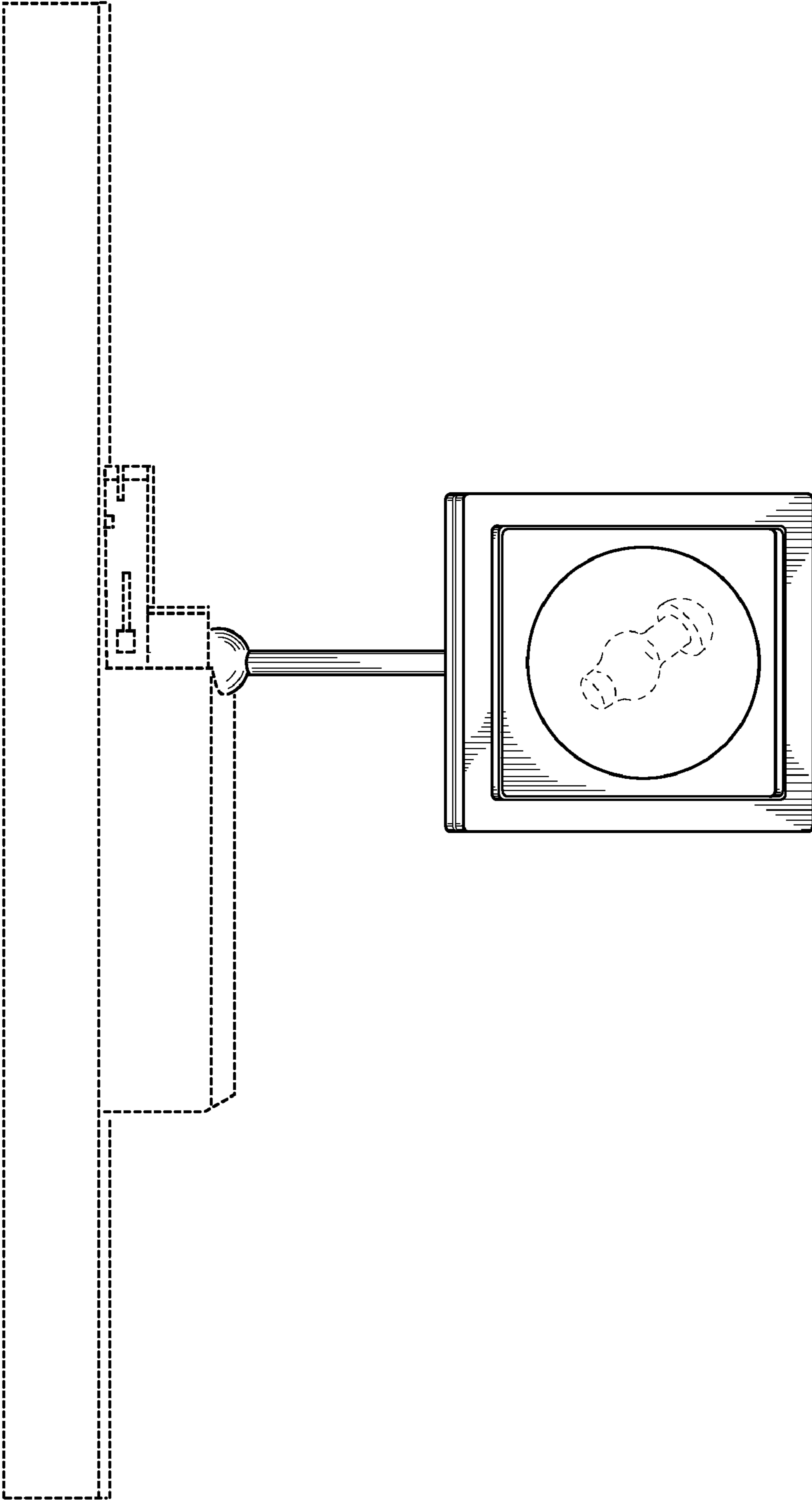


Figure 1

Figure 2



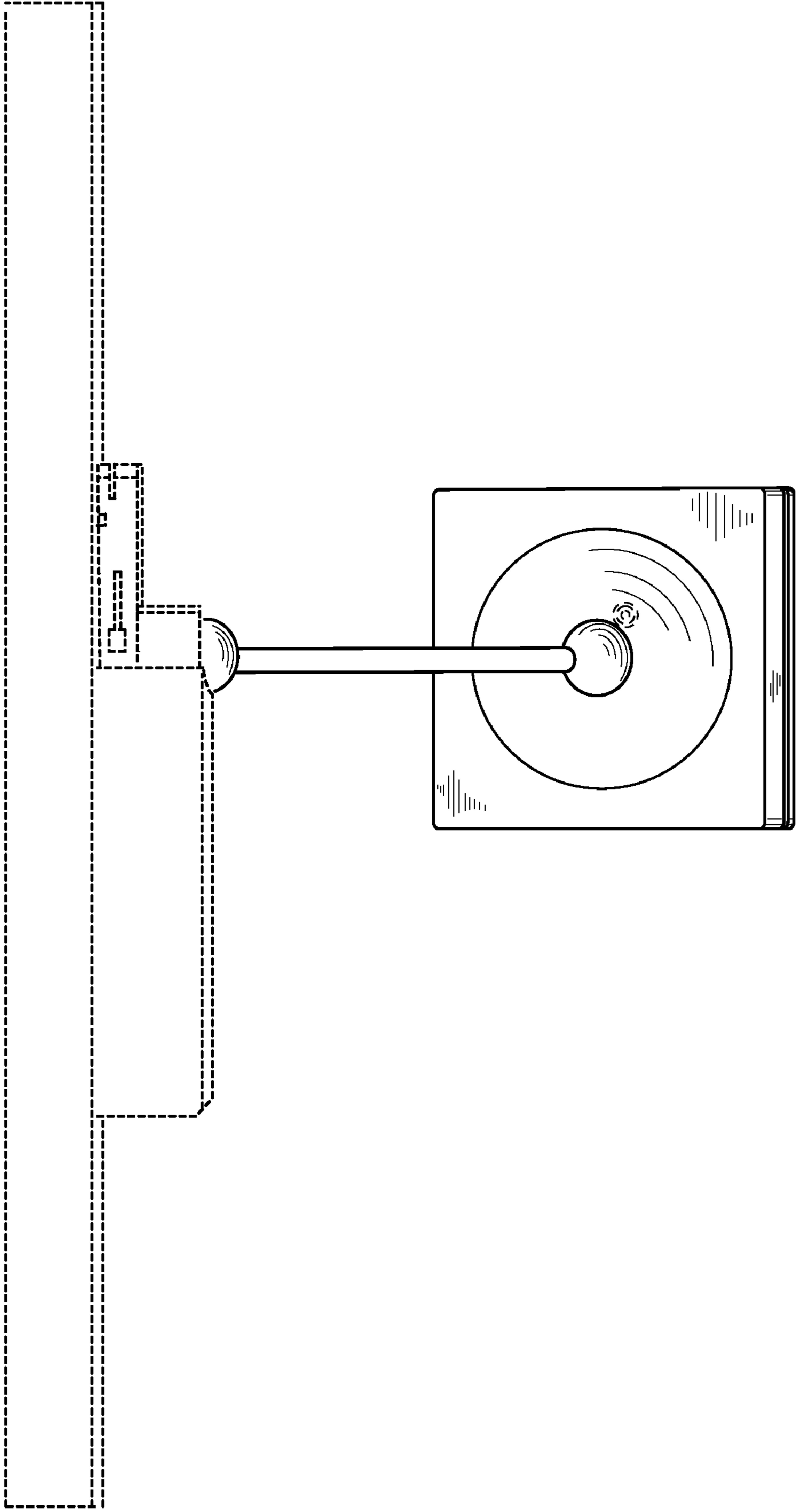


Figure 3

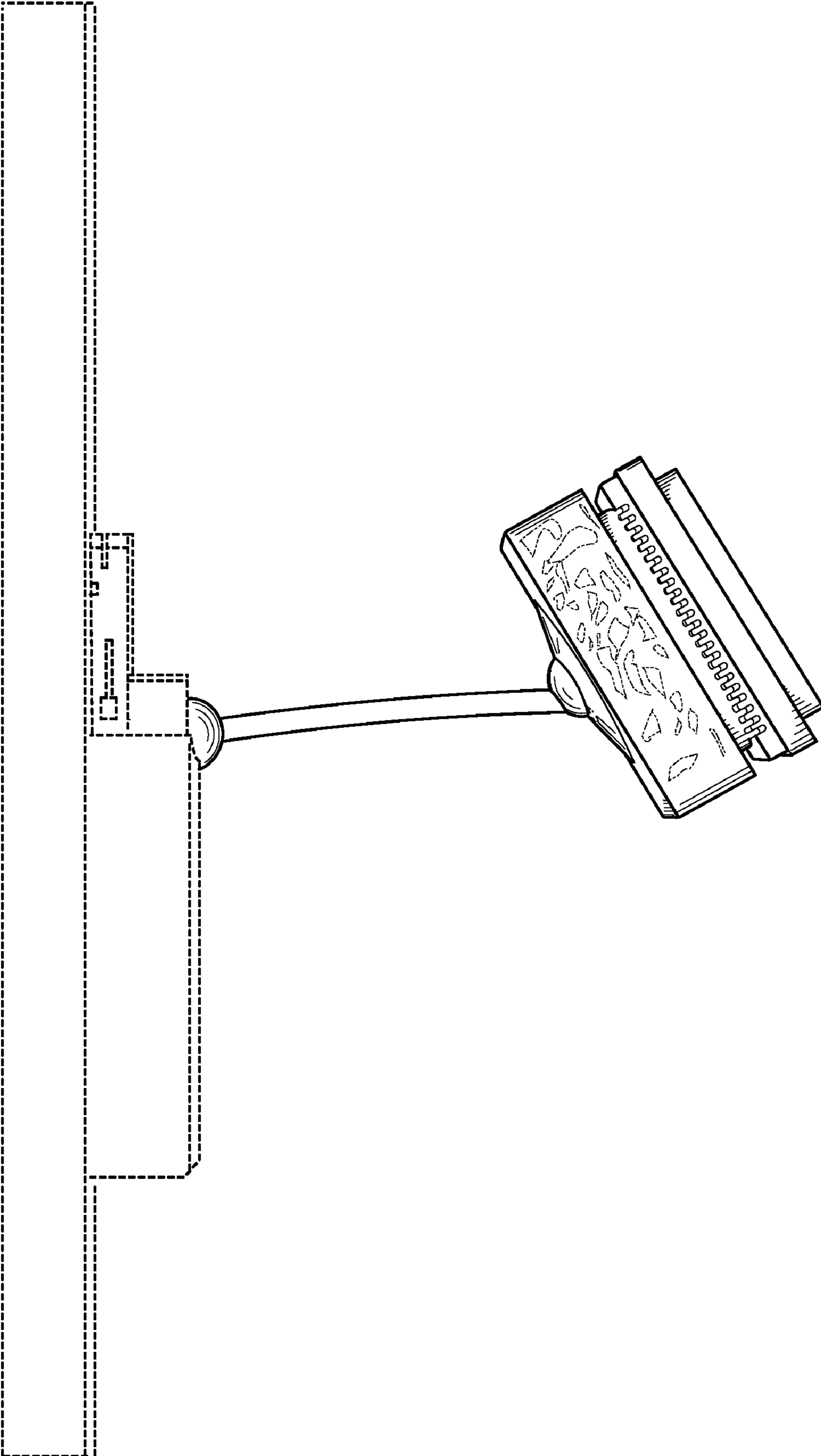


Figure 4

Figure 5

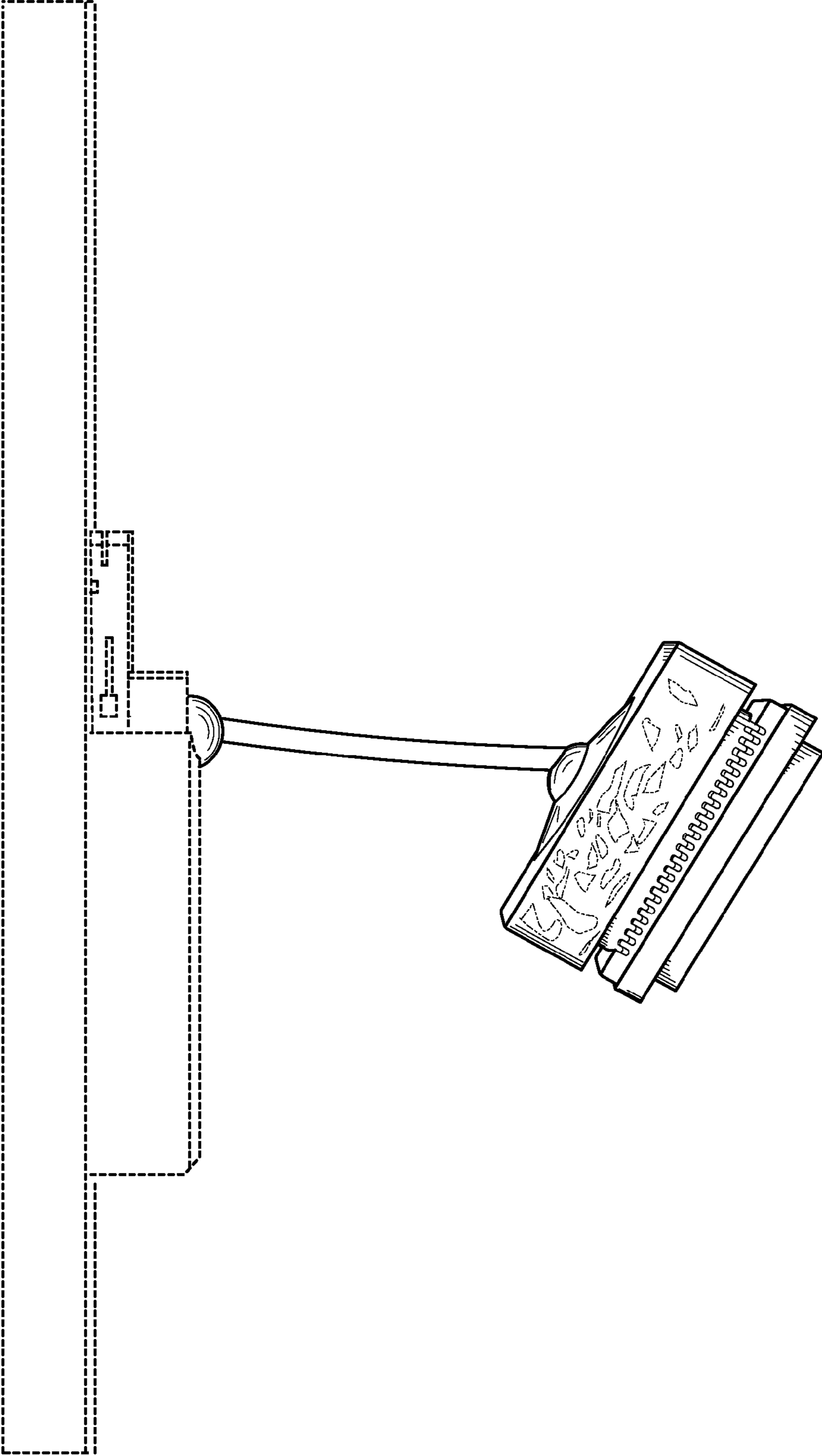


Figure 6

