



US00D633240S

(12) **United States Design Patent**
Cheng

(10) **Patent No.:** **US D633,240 S**

(45) **Date of Patent:** **** Feb. 22, 2011**

(54) **LAMP**

(76) Inventor: **Hsi-Chou Cheng**, No. 180, Sec. 2,
Chengsi St., Tainan (TW)

(**) Term: **14 Years**

(21) Appl. No.: **29/363,407**

(22) Filed: **Jun. 9, 2010**

(51) **LOC (9) Cl.** **26-05**

(52) **U.S. Cl.** **D26/60**

(58) **Field of Classification Search** D26/60-66,
D26/51, 37-40; 362/98, 99, 396, 197, 171-174,
362/800

See application file for complete search history.

(56) **References Cited**

U.S. PATENT DOCUMENTS

4,489,366	A	*	12/1984	Rozniecki	362/270
D447,587	S	*	9/2001	Poon	D26/39
D534,289	S	*	12/2006	Shiu	D26/39
D541,965	S	*	5/2007	Shiu	D26/60
D582,593	S	*	12/2008	Cheng	D26/63
D609,376	S	*	2/2010	Cristoforo et al.	D26/38

7,703,952 B2 * 4/2010 Yoon 362/396

* cited by examiner

Primary Examiner—Philip S Hyder

Assistant Examiner—Linda G. Brooks

(74) *Attorney, Agent, or Firm*—Rosenberg, Klein & Lee

(57) **CLAIM**

The ornamental design for a lamp, as shown and described.

DESCRIPTION

FIG. 1 is a front perspective view of a lamp showing my new design;

FIG. 2 is a front elevational view thereof;

FIG. 3 is a rear elevational view thereof;

FIG. 4 is a left side elevational view thereof;

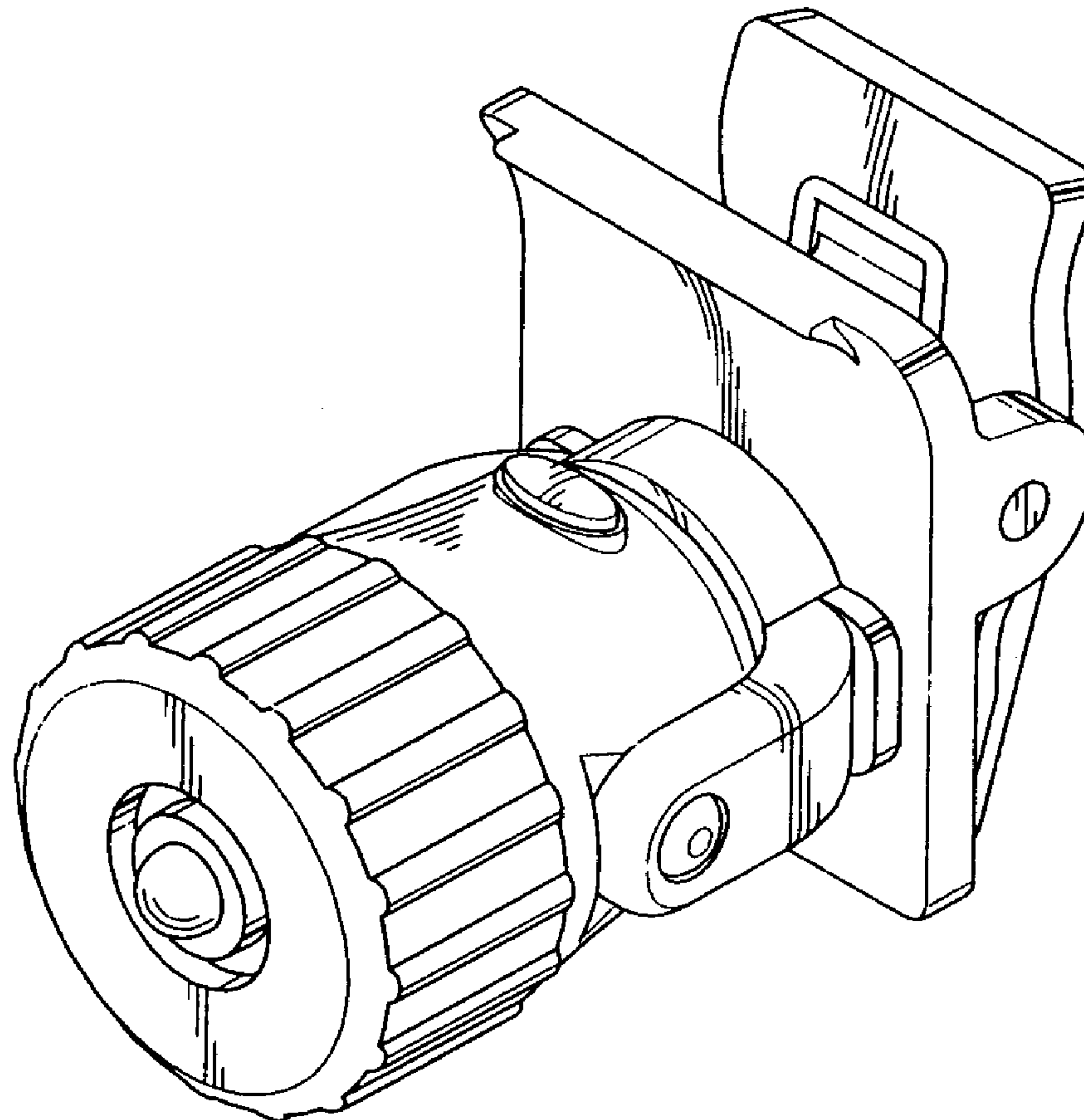
FIG. 5 is a right side elevational view thereof;

FIG. 6 is a top plan view thereof;

FIG. 7 is a bottom plan view thereof; and,

FIG. 8 is a rear perspective view of a lamp showing my new design.

1 Claim, 8 Drawing Sheets



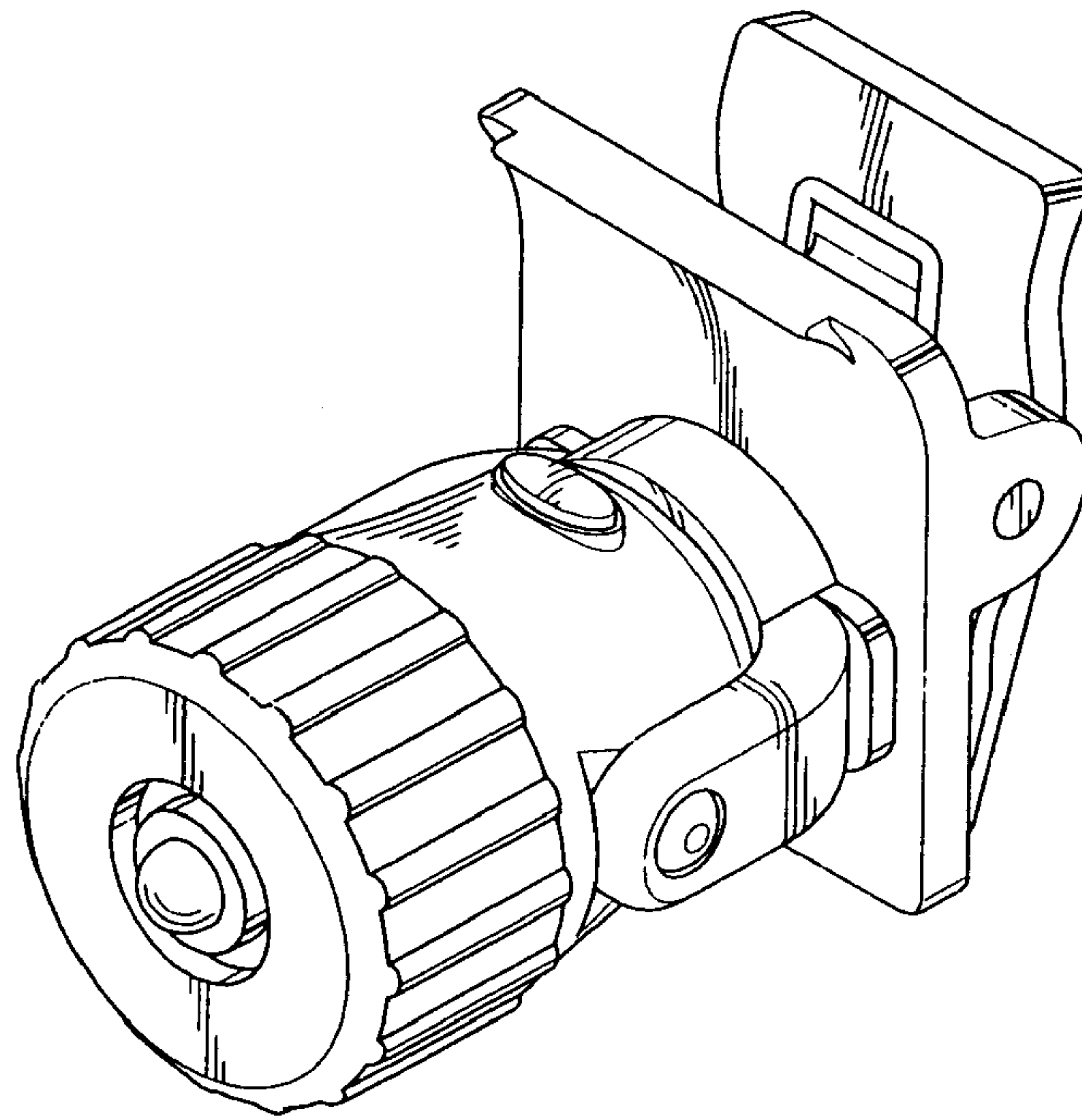


FIG . 1

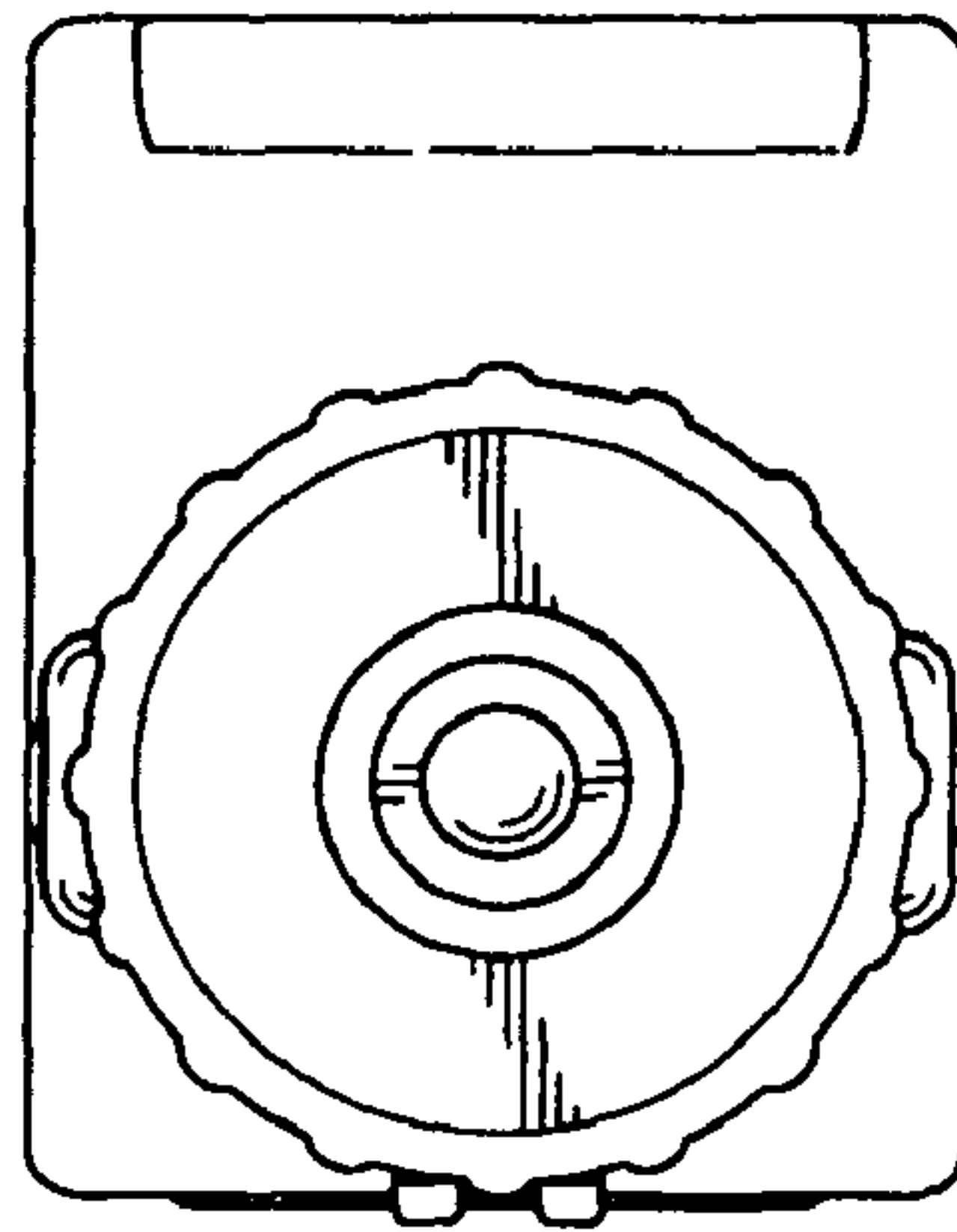


FIG . 2

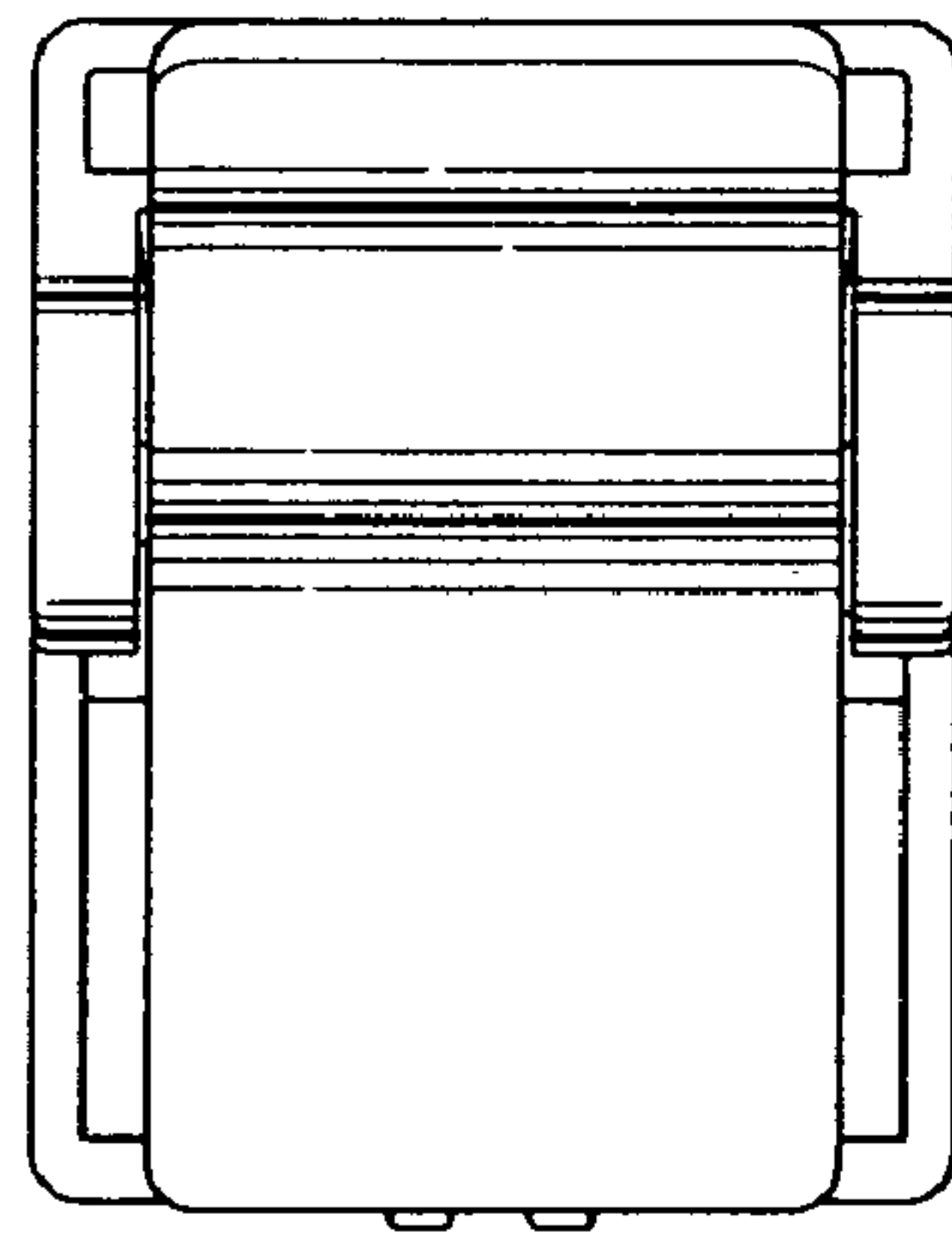


FIG . 3

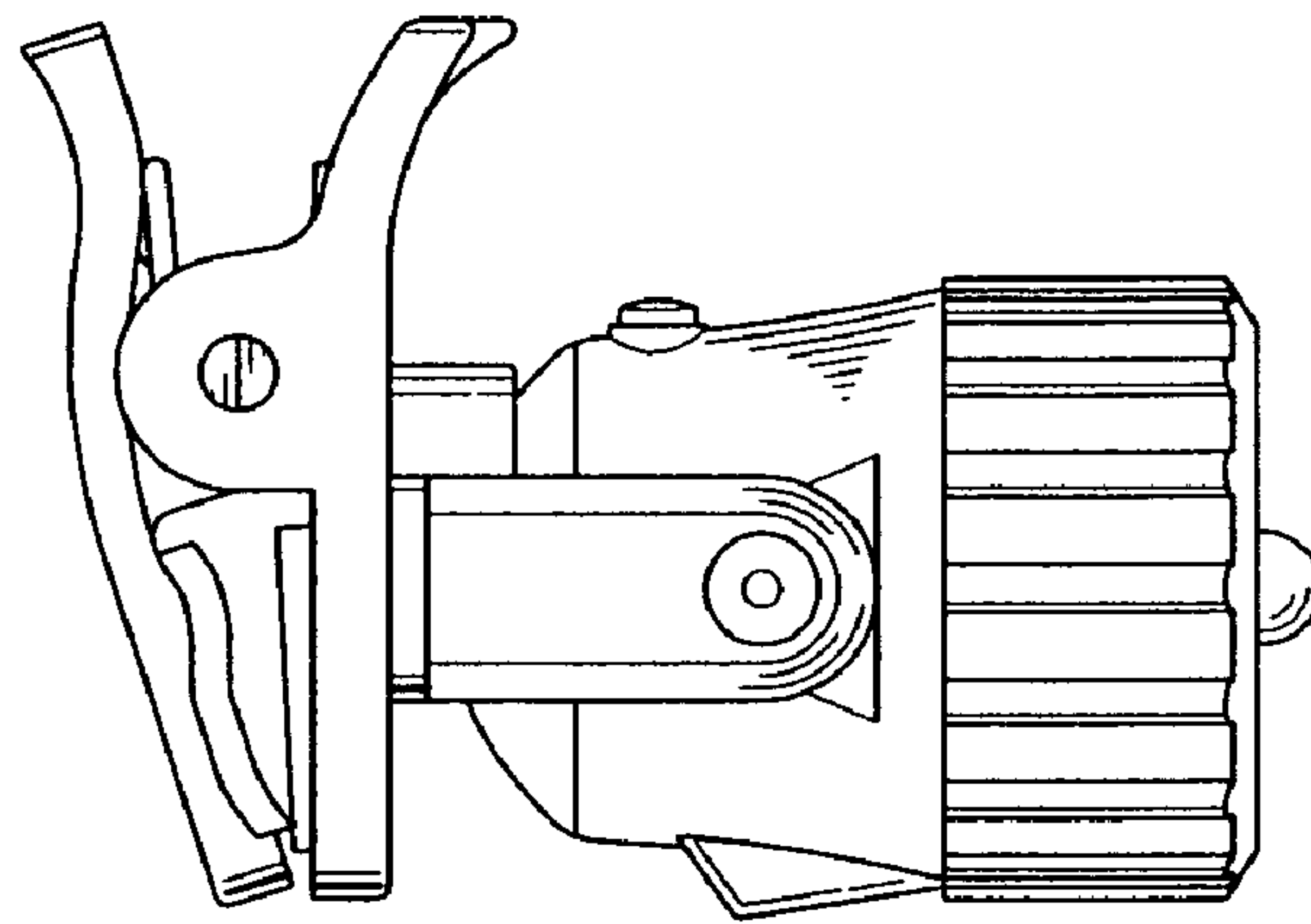


FIG . 4

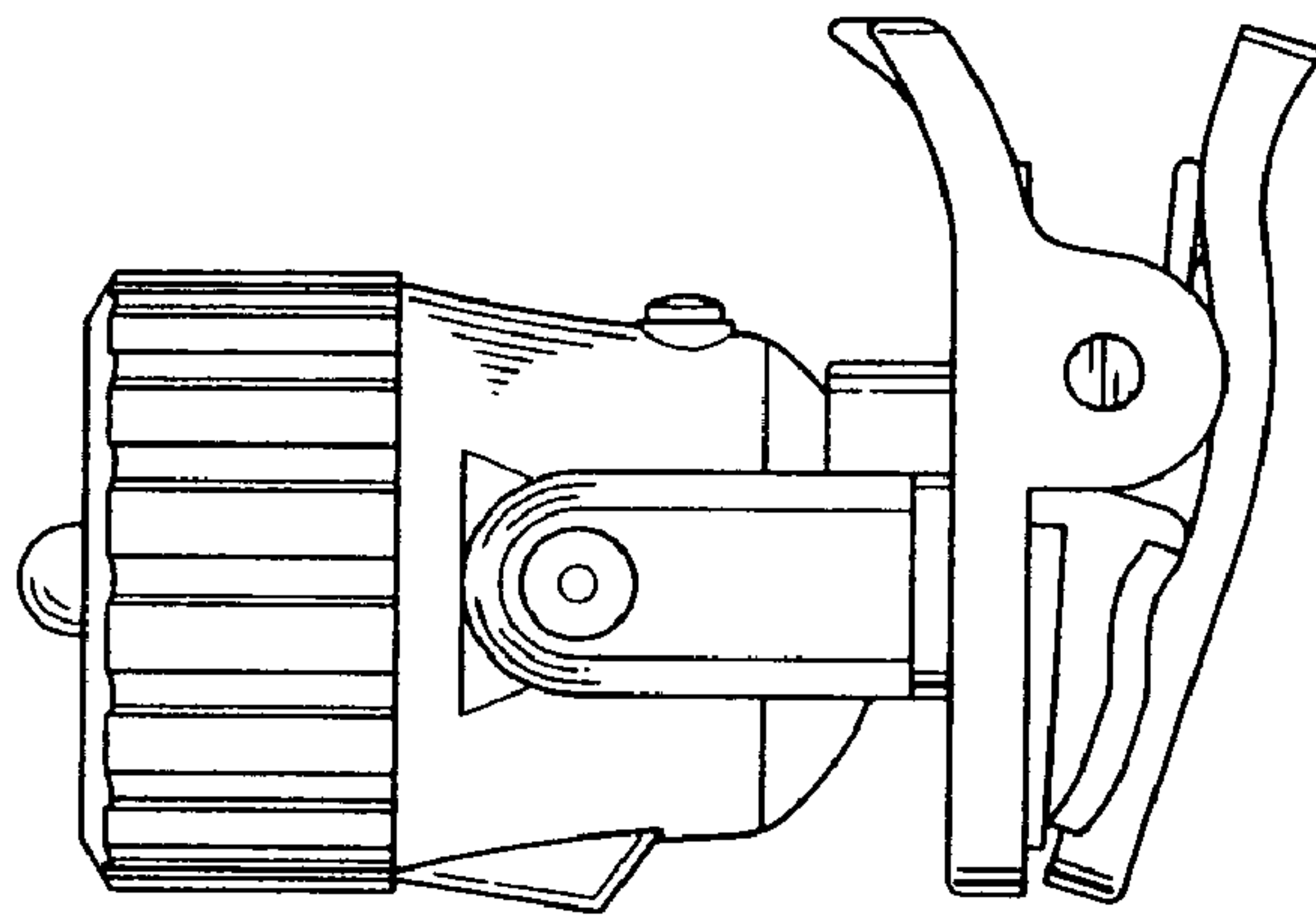


FIG . 5

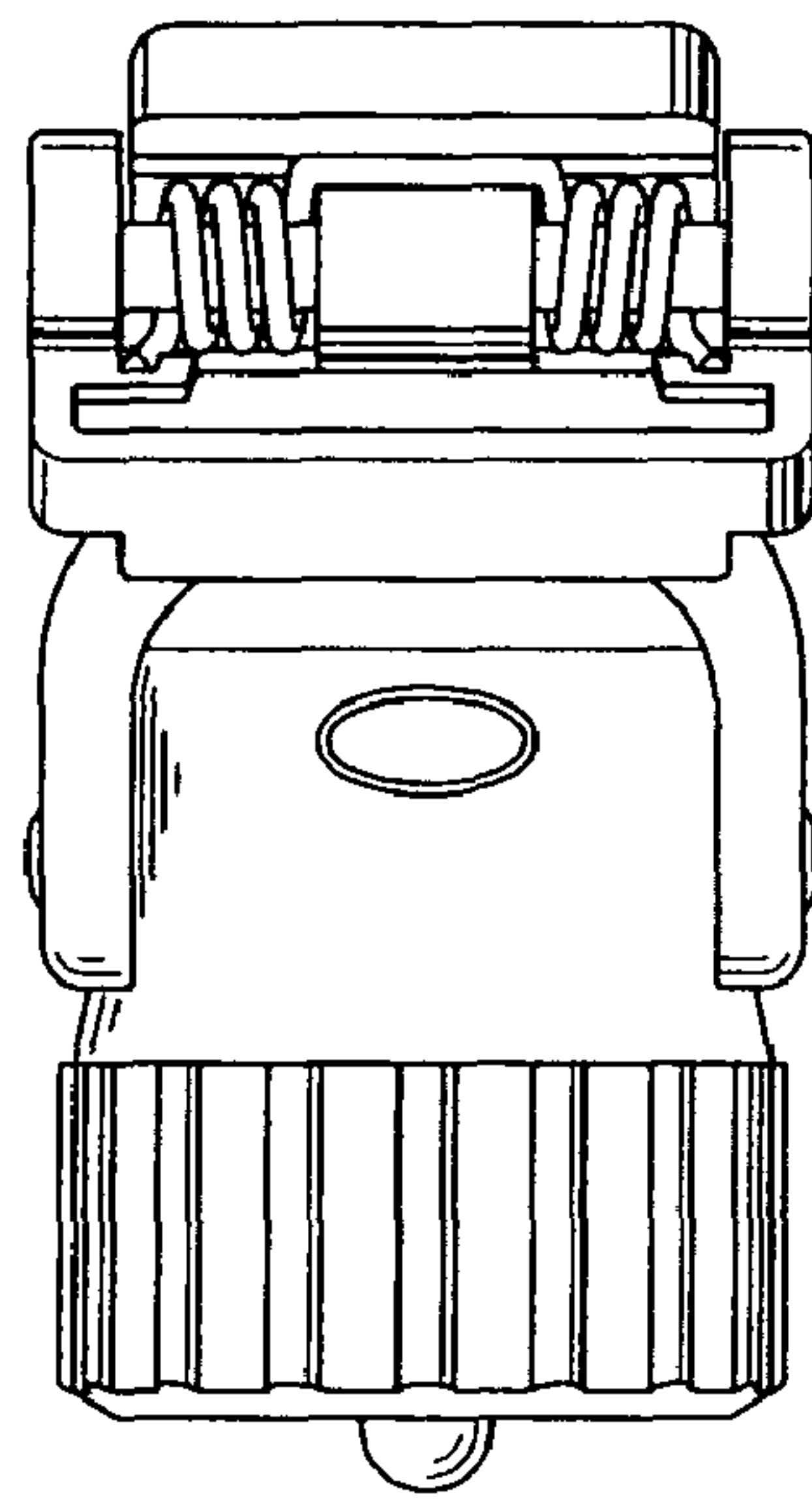


FIG . 6

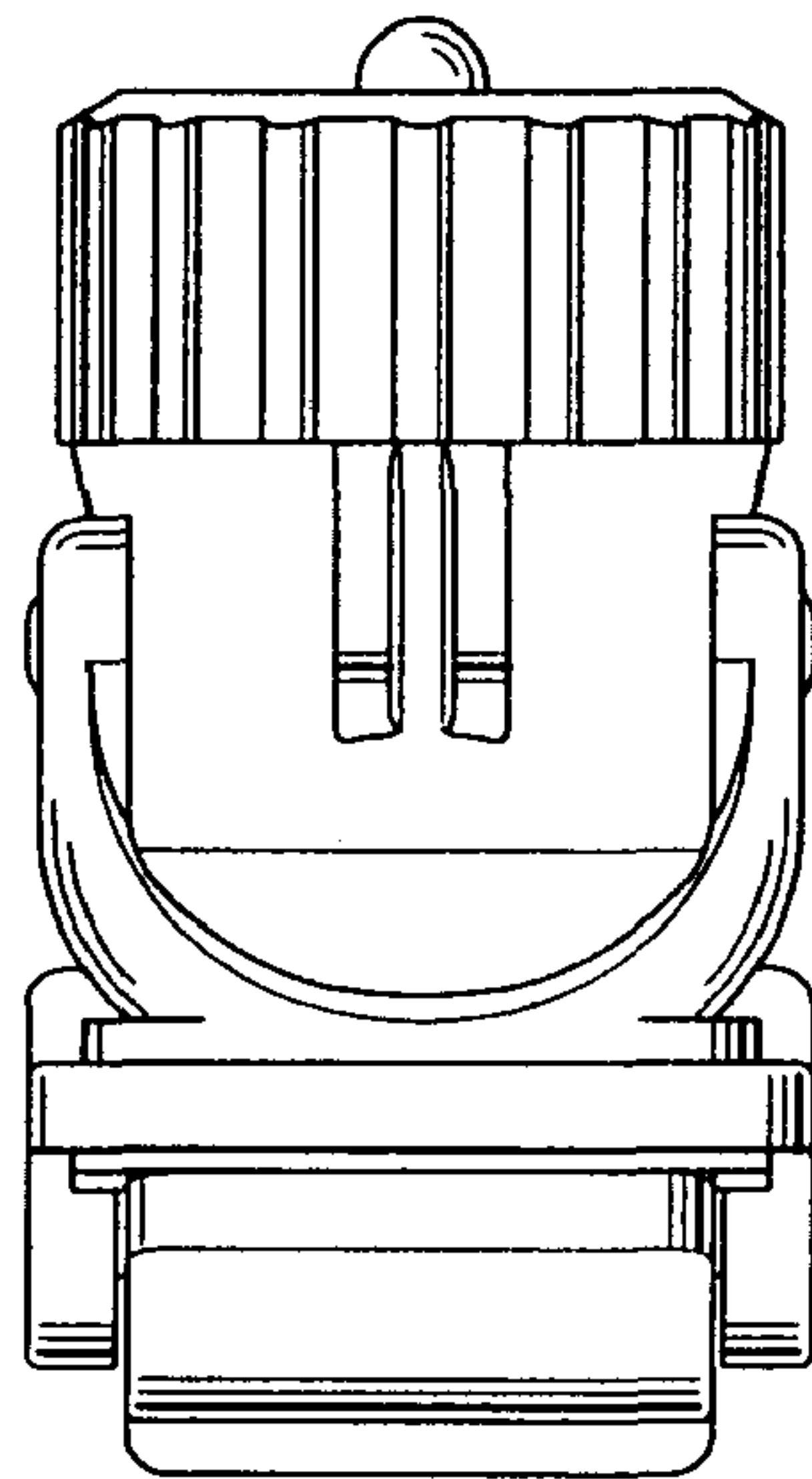


FIG . 7

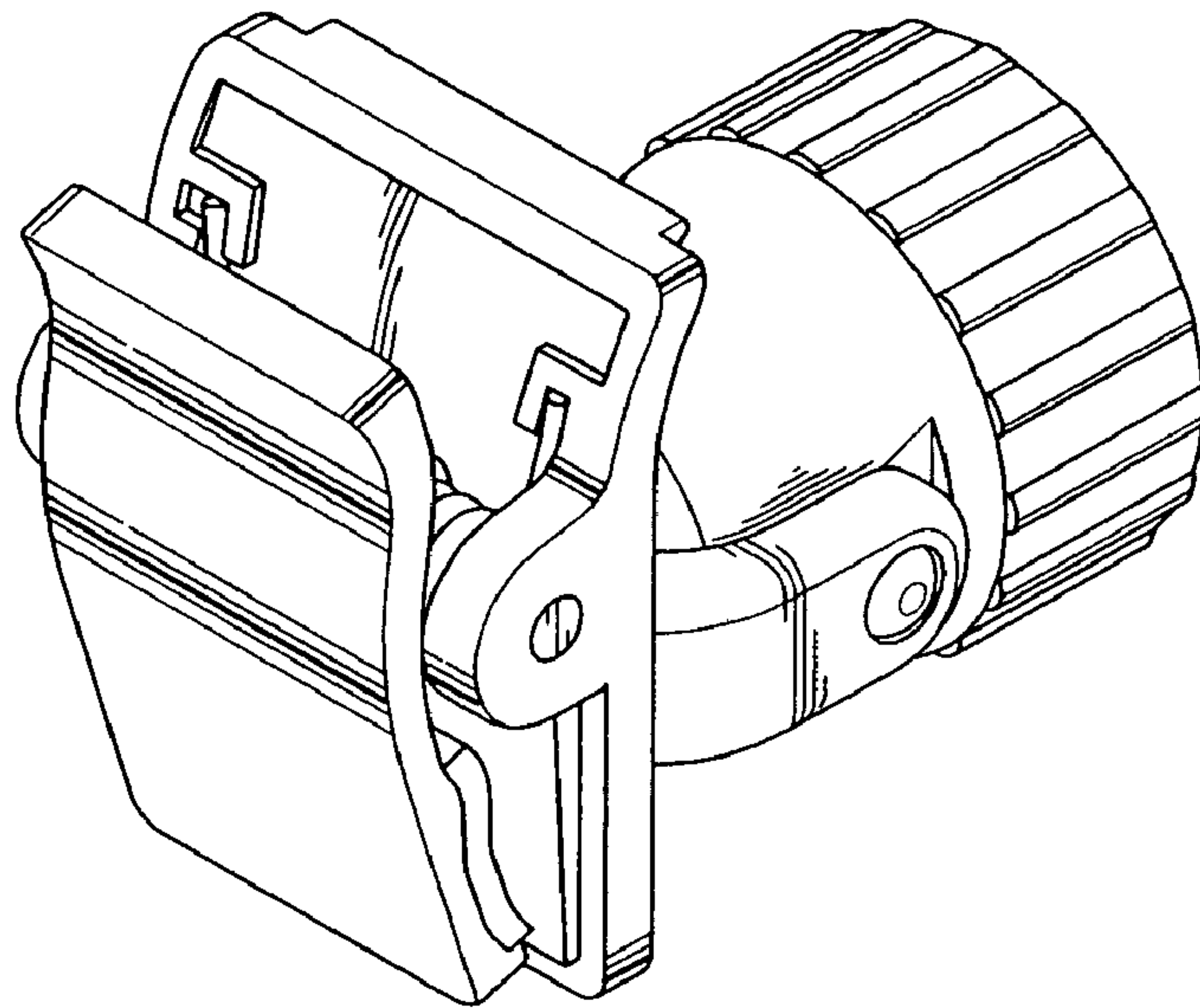


FIG . 8