



US00D633235S

(12) **United States Design Patent**
Zheng

(10) **Patent No.:** **US D633,235 S**
(45) **Date of Patent:** **** Feb. 22, 2011**

(54) **LED LAMP**
(75) Inventor: **Shi-Song Zheng**, Shenzhen (CN)
(73) Assignee: **Foxconn Technology Co., Ltd.**,
Tucheng, Taipei County (TW)
(**) Term: **14 Years**
(21) Appl. No.: **29/358,100**
(22) Filed: **Mar. 22, 2010**

(51) **LOC (9) Cl.** **26-05**
(52) **U.S. Cl.** **D26/24**
(58) **Field of Classification Search** D26/74,
D26/72, 24, 36, 59, 118, 133, 134, 67; 362/145,
362/147, 148, 150, 151, 153, 218, 217.06,
362/217.07, 294, 296.01, 296.06, 296.07,
362/296.08, 311.07, 311.09, 364, 365, 373;
D13/179

See application file for complete search history.

(56) **References Cited**

U.S. PATENT DOCUMENTS

D451,227 S *	11/2001	Orellana et al.	D26/67
D465,868 S *	11/2002	Gaskins et al.	D26/72
D469,916 S *	2/2003	Cafarro et al.	D26/123
D573,297 S *	7/2008	Beadle	D26/118
D578,694 S *	10/2008	Zeng et al.	D26/70
D592,346 S *	5/2009	Gill	D26/71
D603,072 S *	10/2009	Scoley	D26/24

D606,696 S *	12/2009	Chen et al.	D26/74
D610,290 S *	2/2010	Yoshinobu et al.	D26/74
D611,650 S *	3/2010	Broekhoff	D26/134
D621,970 S *	8/2010	Yamamoto et al.	D26/2
2009/0201683 A1 *	8/2009	Chuan	362/294
2010/0148672 A1 *	6/2010	Hopper	315/113

* cited by examiner

Primary Examiner—Angela J Lee
(74) *Attorney, Agent, or Firm*—Zhigang Ma

(57) **CLAIM**

The ornamental design for an LED lamp, as shown and described.

DESCRIPTION

FIG. 1 is a perspective view of an LED lamp showing my new design.

FIG. 2 is a front elevational view thereof.

FIG. 3 is a rear elevational view thereof.

FIG. 4 is a left-side, elevational view thereof.

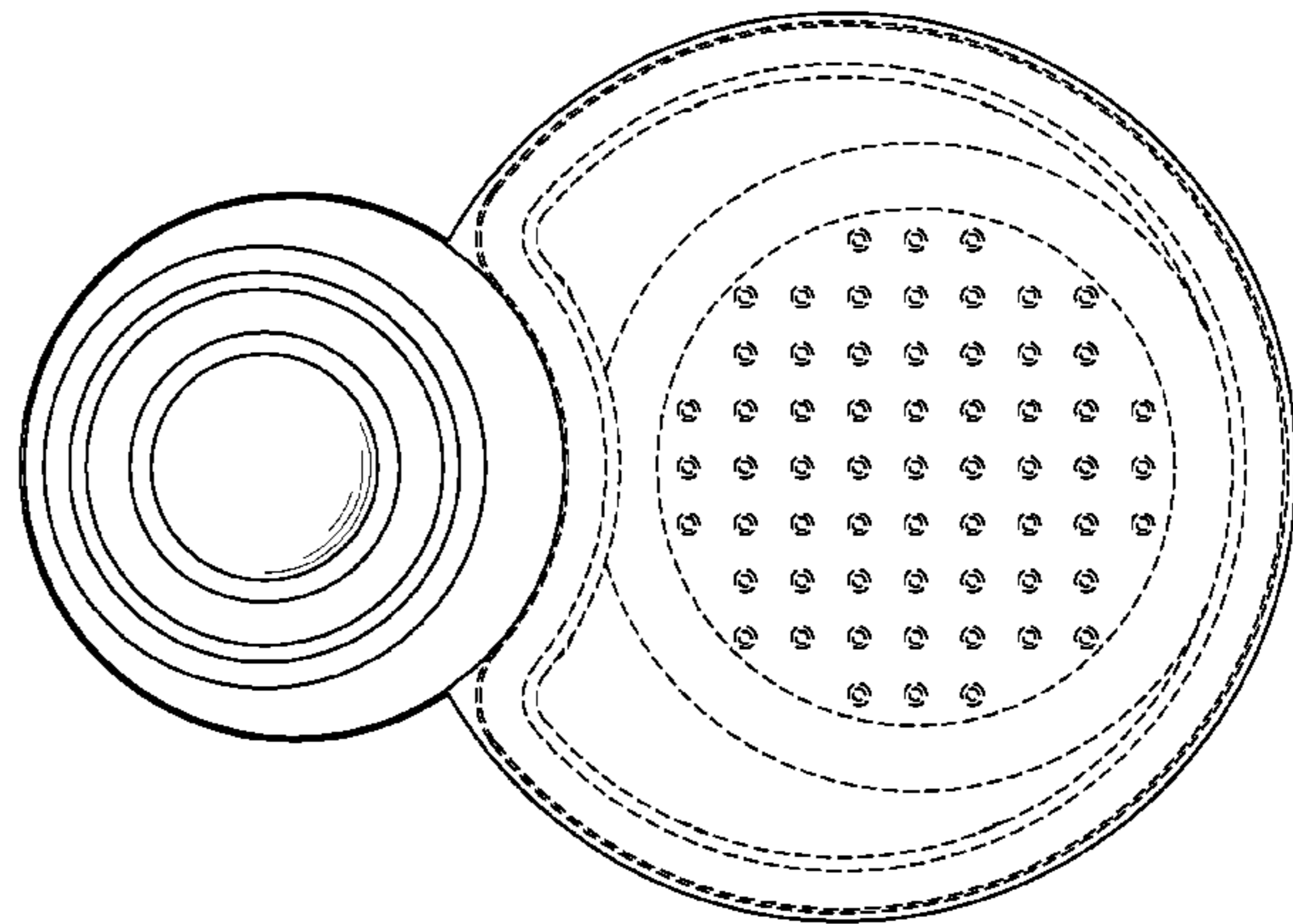
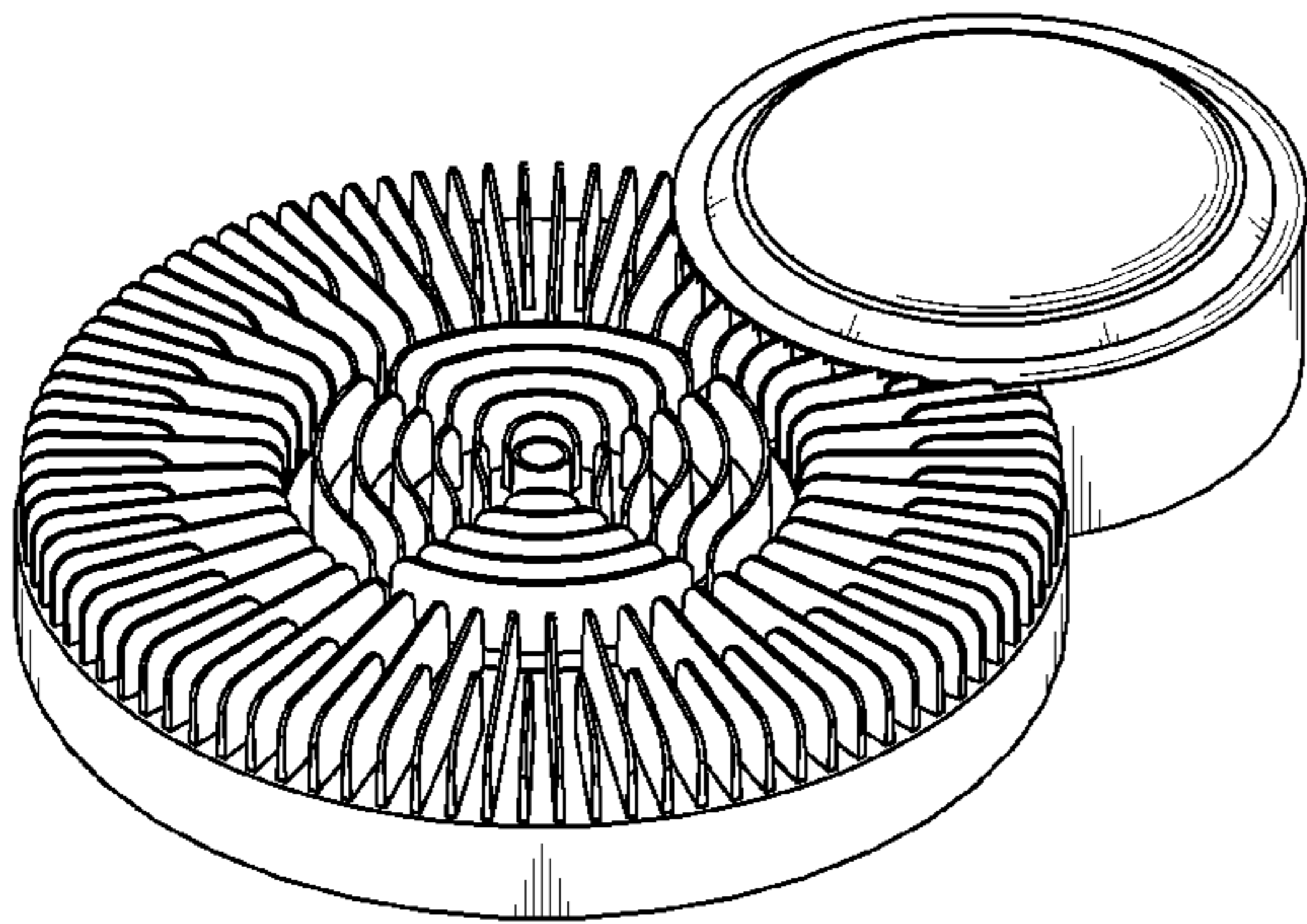
FIG. 5 is a right-side, elevational view thereof.

FIG. 6 is a top plan view thereof; and,

FIG. 7 is a bottom plan view thereof.

The portions of the LED lamp shown in broken lines form no part of the claimed design.

1 Claim, 7 Drawing Sheets



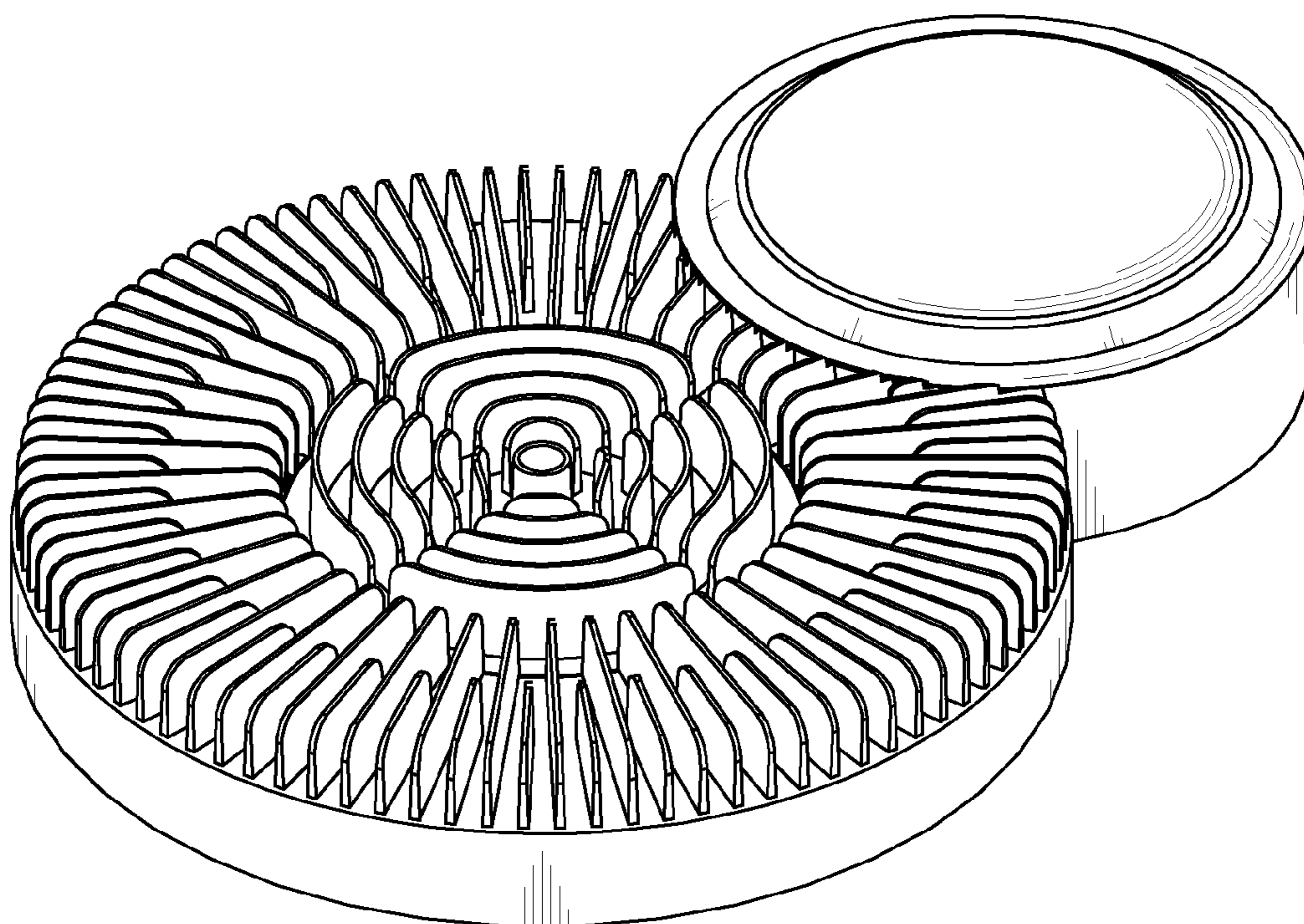


FIG. 1

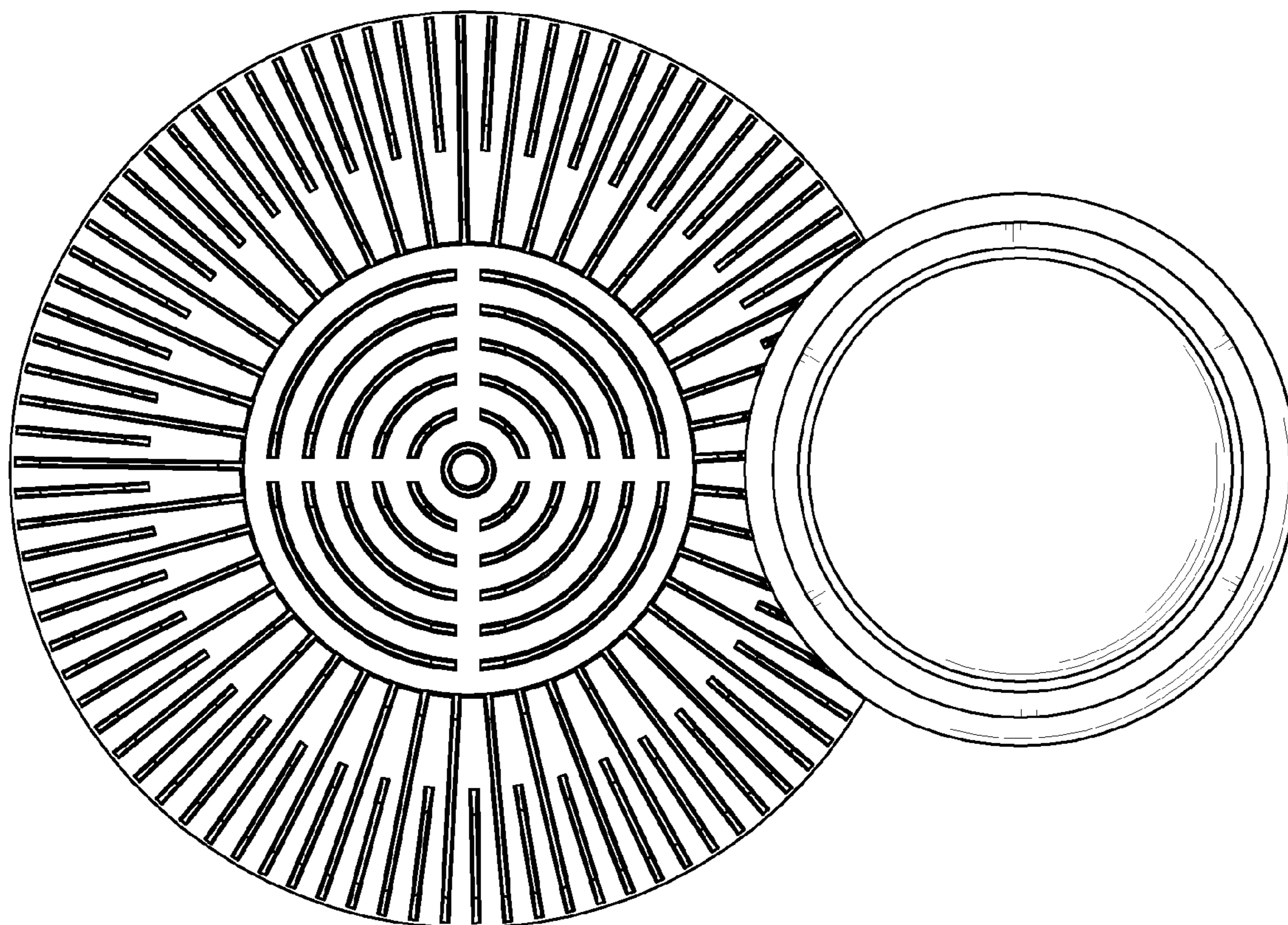


FIG. 2

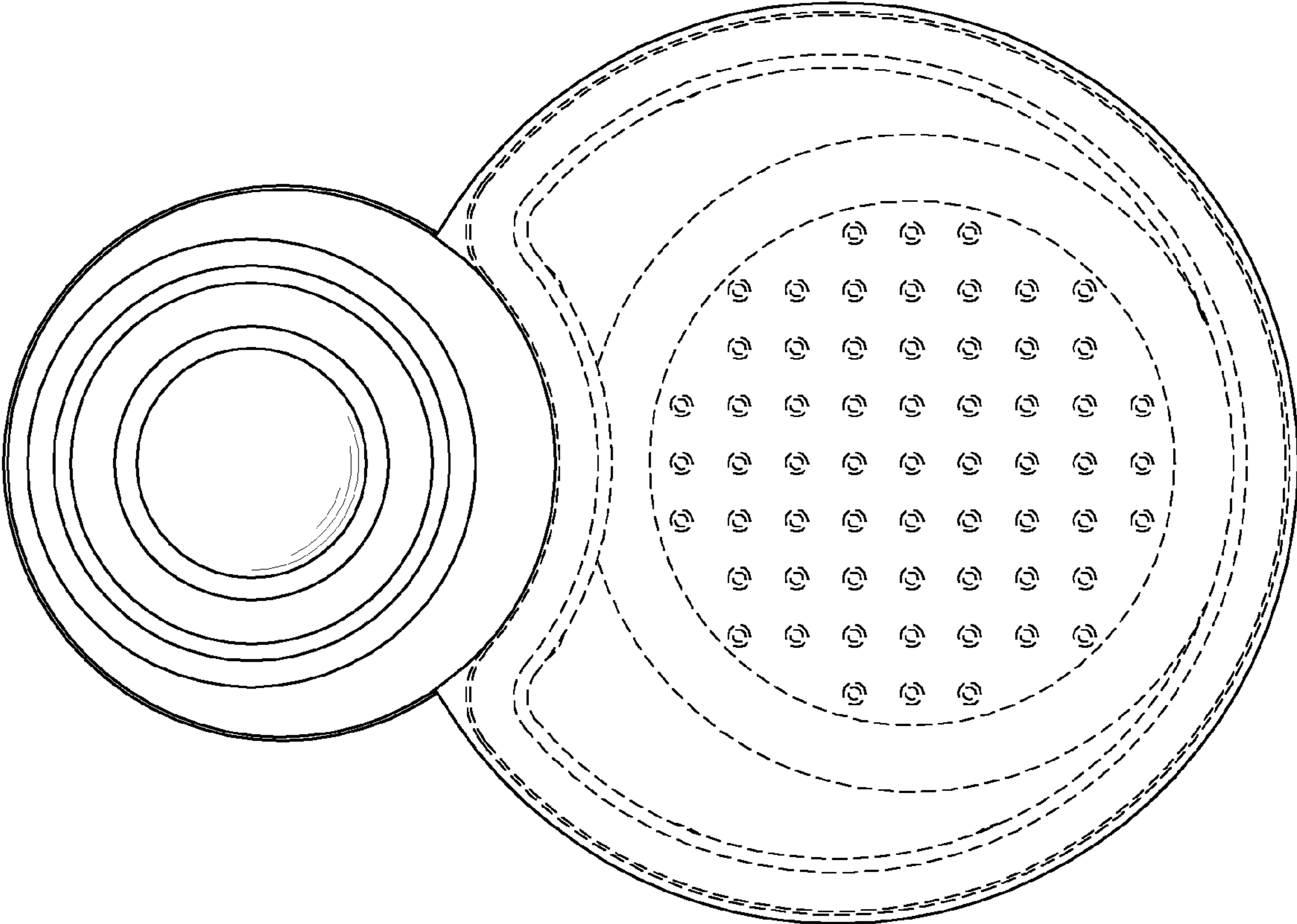


FIG. 3

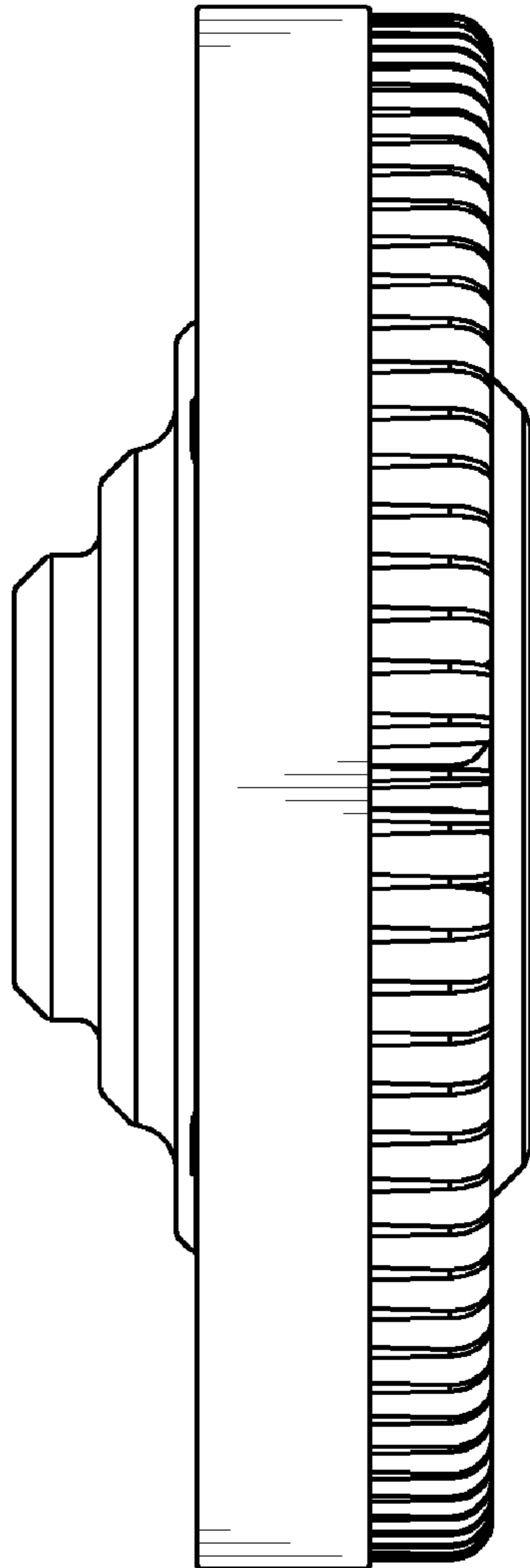


FIG. 4

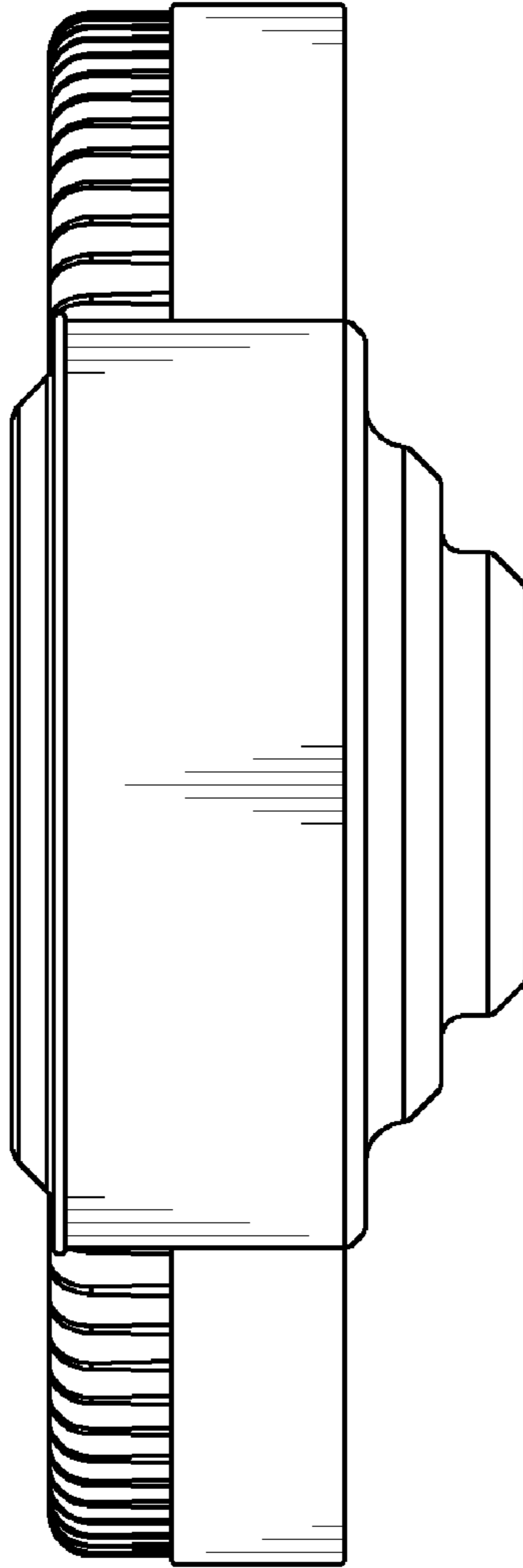


FIG. 5

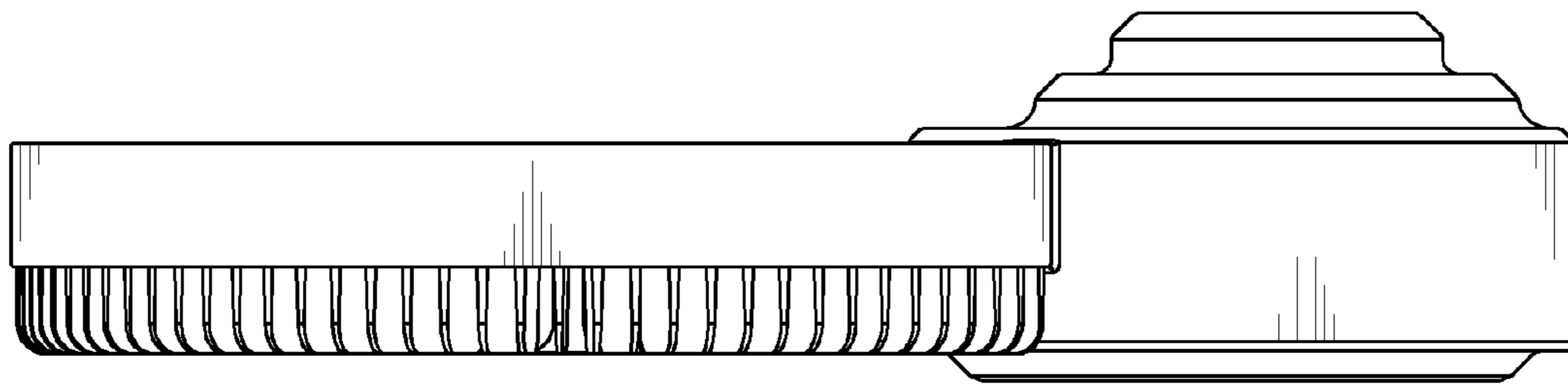


FIG. 6

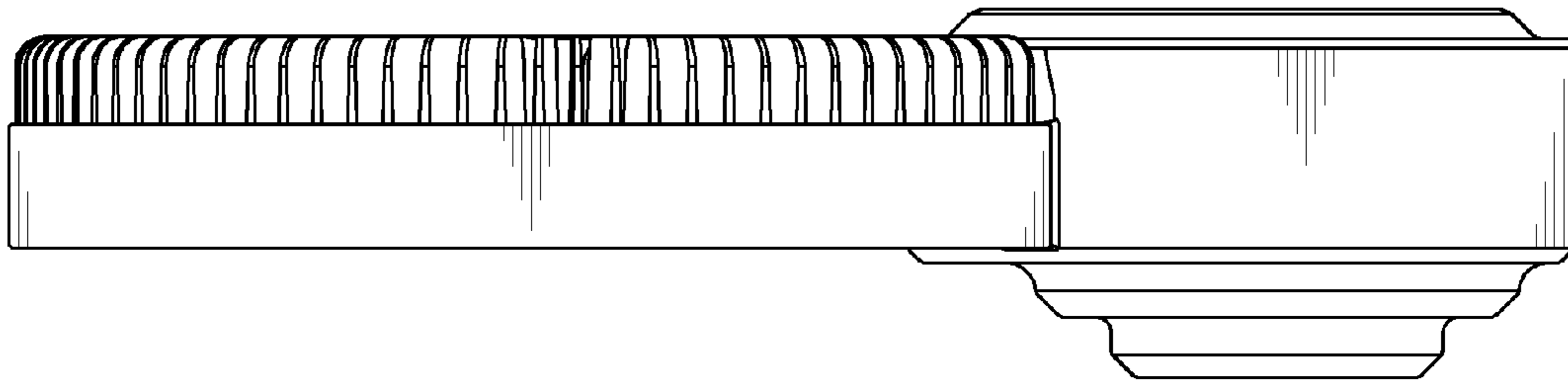


FIG. 7